



US00D910556S

(12) **United States Design Patent**  
**Huang et al.**

(10) **Patent No.:** **US D910,556 S**

(45) **Date of Patent:** **\*\* Feb. 16, 2021**

(54) **POWER ADAPTER**

(71) Applicant: **Changzhou Jutai Electronic Co., Ltd.**,  
Changzhou (CN)

(72) Inventors: **Wei Huang**, Changzhou (CN);  
**Chengqian Pan**, Changzhou (CN); **Bin**  
**Chen**, Changzhou (CN)

(\*\*) Term: **15 Years**

(21) Appl. No.: **29/717,519**

(22) Filed: **Dec. 18, 2019**

(51) **LOC (13) Cl.** ..... **13-02**

(52) **U.S. Cl.**  
USPC ..... **D13/110**

(58) **Field of Classification Search**  
USPC ... D13/110, 103, 107, 108, 118, 123, 137.1,  
D13/137.2, 137.4, 138.1, 147, 162, 168,  
D13/169, 174, 177, 184, 199; D14/240,  
D14/242, 257, 356, 357, 432, 433, 438,  
D14/480.1, 480.3

CPC ..... H05K 5/00; H05K 5/02; H05K 5/0247;  
H05K 7/00; H05K 7/20; H05K 7/20136;  
H05K 7/20154; H05K 7/209; H02M 7/00;  
H02M 7/003; H02M 2001/009; H02J  
7/0042; Y10T 307/367; Y02E 60/12;  
Y02E 60/50; H01M 2/02; H01M 2/025;  
H01M 2/0207; H01M 2/0212; H01M  
10/44; H01R 13/60; H01R 13/72; H01R  
13/6658; H01R 25/003; H01R 25/006;  
G06F 3/023; G06F 3/038; G06F 3/0626;  
G06F 3/0658; G06F 9/4413

See application file for complete search history.

(56) **References Cited**

U.S. PATENT DOCUMENTS

D434,378 S *	11/2000	Ullmann	.....	D13/138.1
D449,030 S *	10/2001	Baxter	.....	D13/110
D463,366 S *	9/2002	MacKay	.....	D13/138.1
D484,853 S *	1/2004	Alviar	.....	D13/110
D611,409 S *	3/2010	Green	.....	D13/110
D652,381 S *	1/2012	Tien	.....	D13/110
D702,182 S *	4/2014	Druker	.....	D13/110
D741,796 S *	10/2015	Robinson	.....	D13/108
D867,286 S *	11/2019	Akana	.....	D13/110

\* cited by examiner

*Primary Examiner* — Derrick E Holland

(74) *Attorney, Agent, or Firm* — W&K IP

(57) **CLAIM**

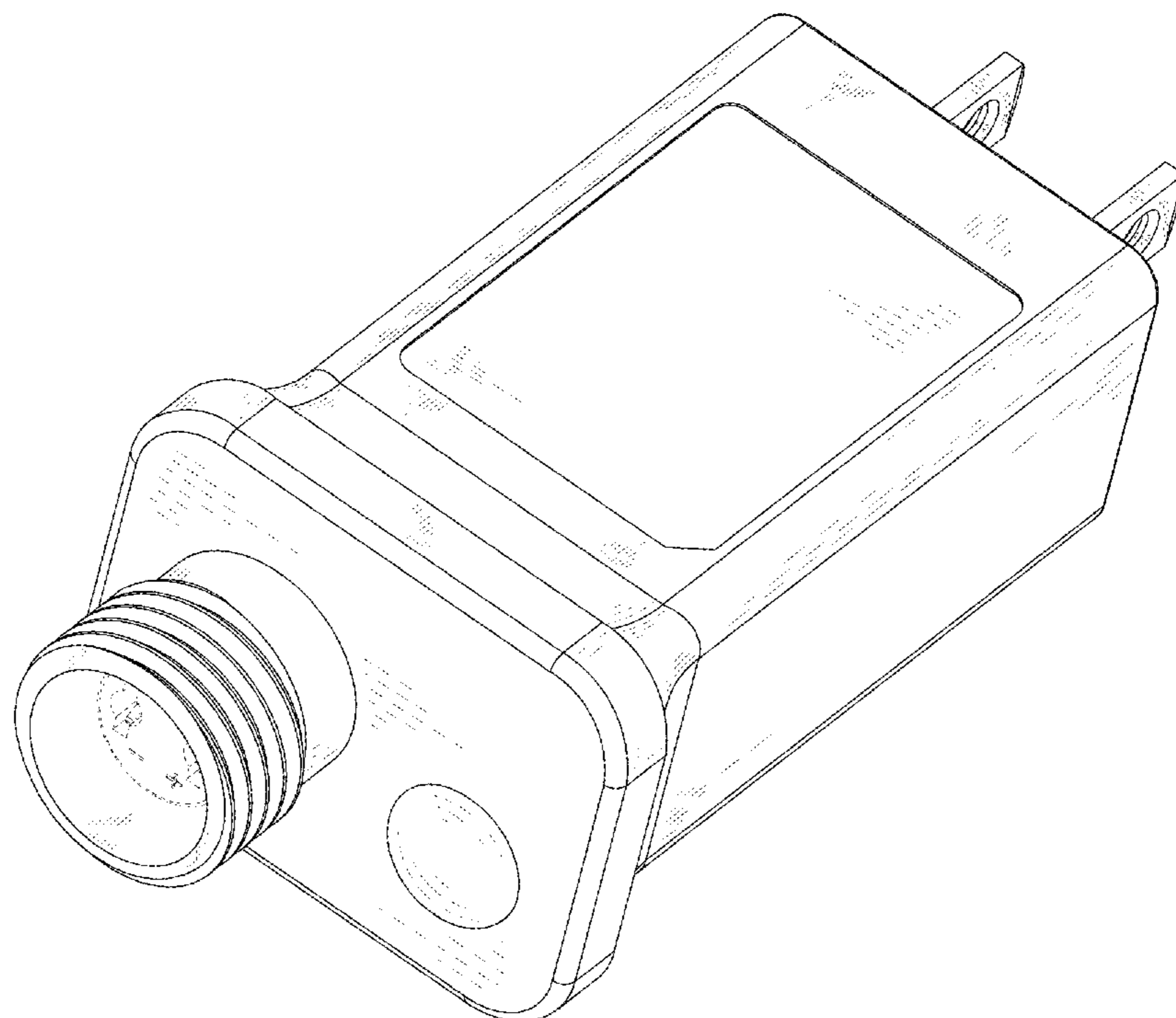
The ornamental design for a power adapter, as shown and described.

**DESCRIPTION**

FIG. 1 is a perspective view of a power adapter;  
FIG. 2 is another perspective view thereof;  
FIG. 3 is a front elevational view thereof;  
FIG. 4 is a rear elevational view thereof;  
FIG. 5 is a left elevational view thereof;  
FIG. 6 is a right elevational view thereof;  
FIG. 7 is a top plan view thereof; and,  
FIG. 8 is a bottom plan view thereof.

The broken lines in the drawings are for the purpose of illustrating portions of the power adapter that form no part of the claimed design.

**1 Claim, 8 Drawing Sheets**



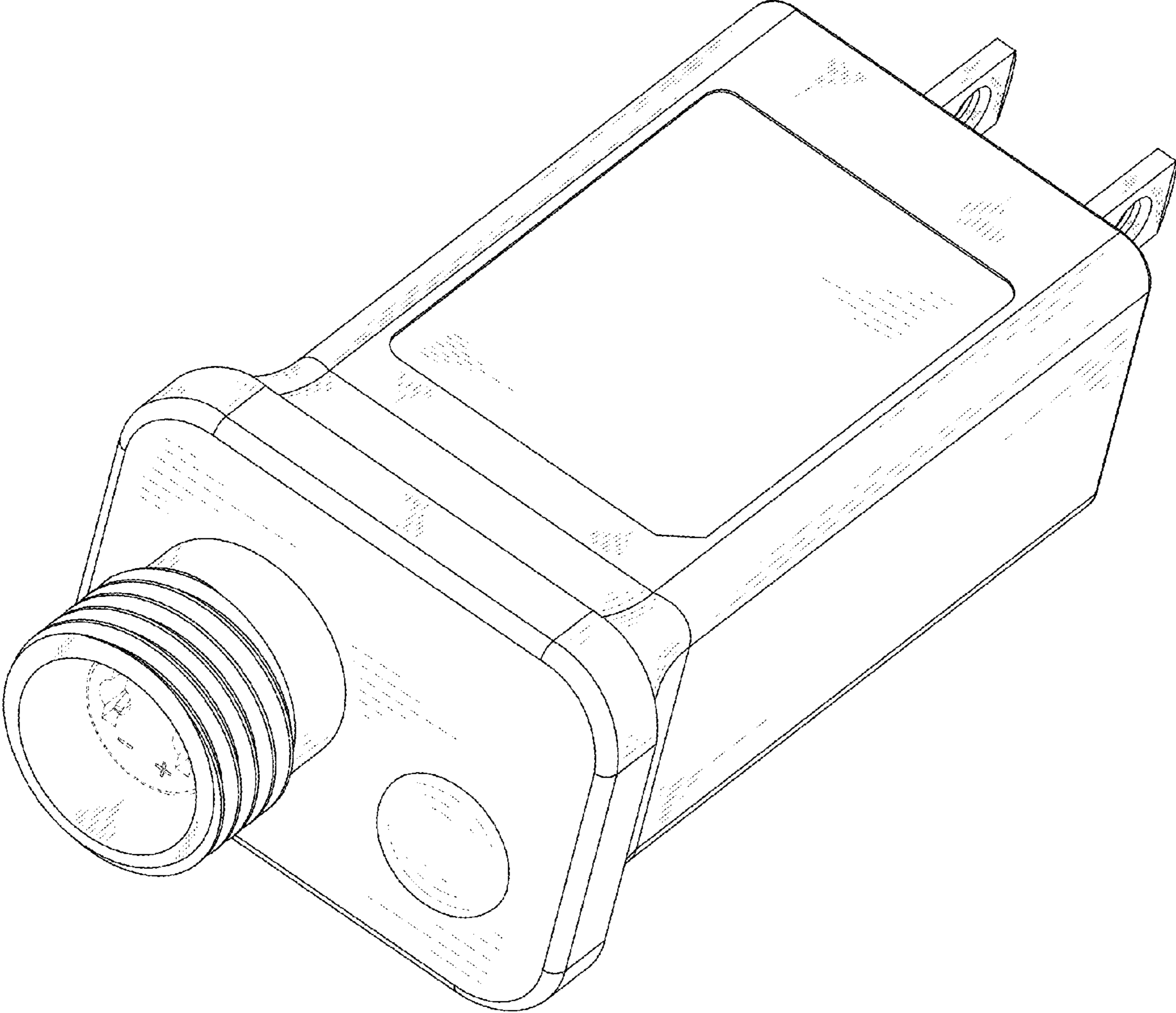


FIG.1

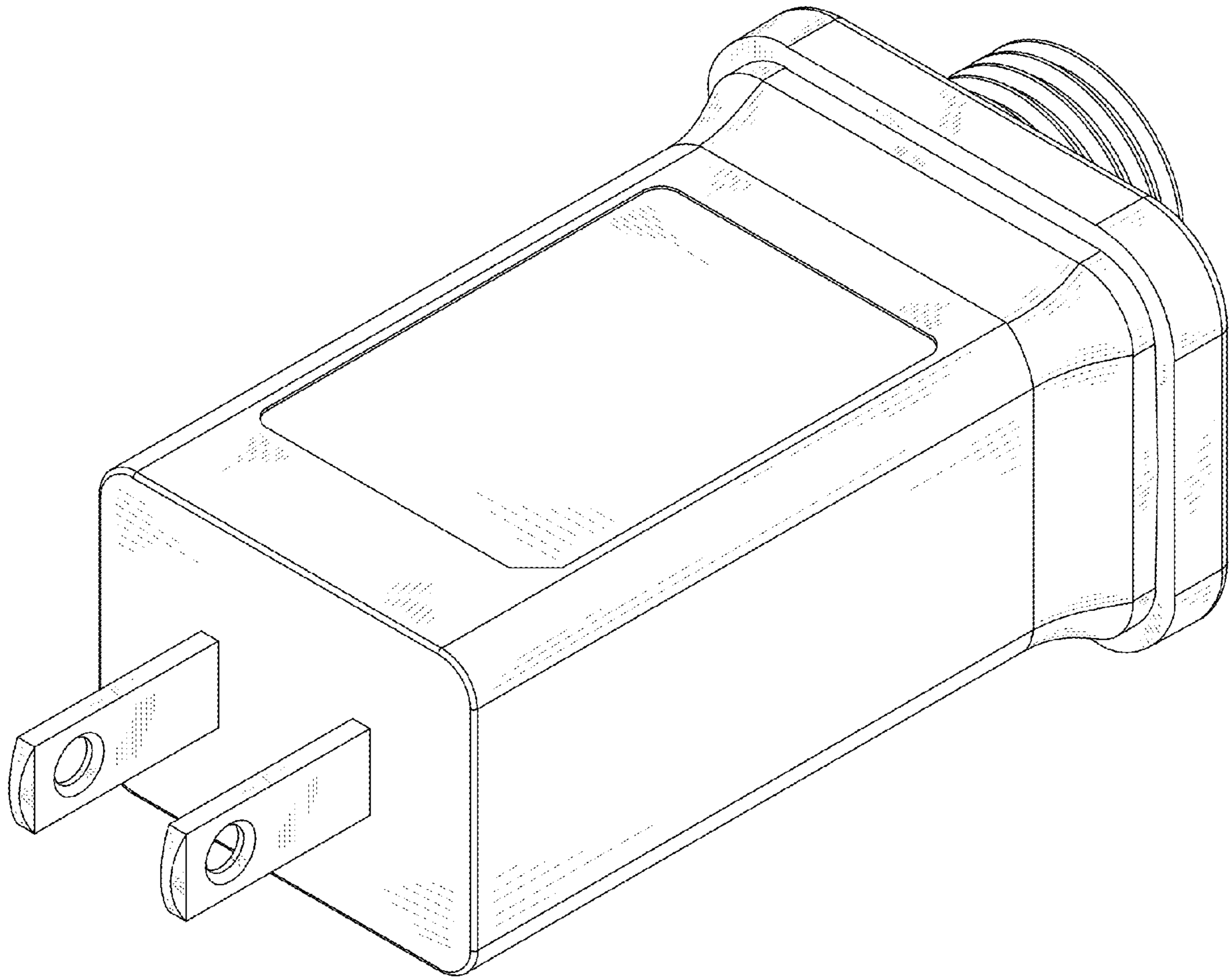


FIG.2

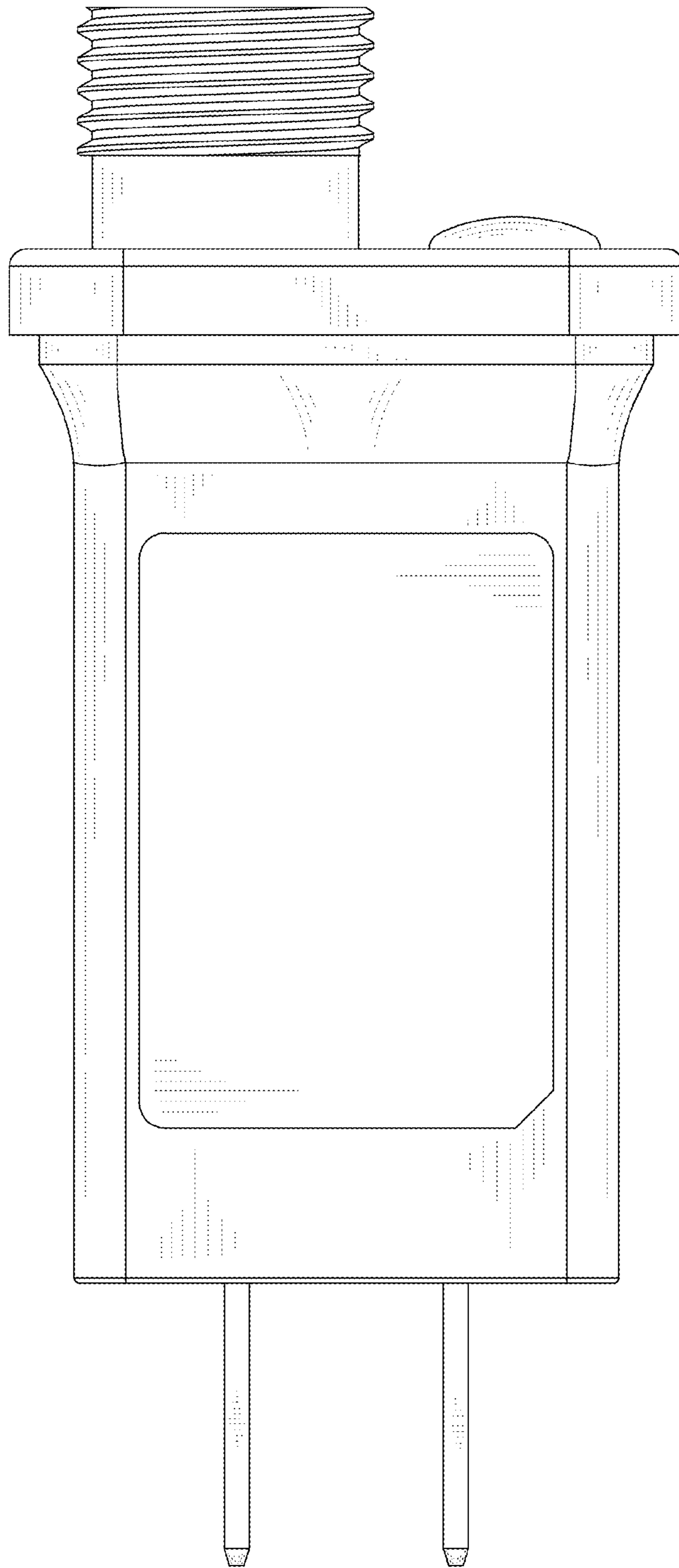


FIG. 3

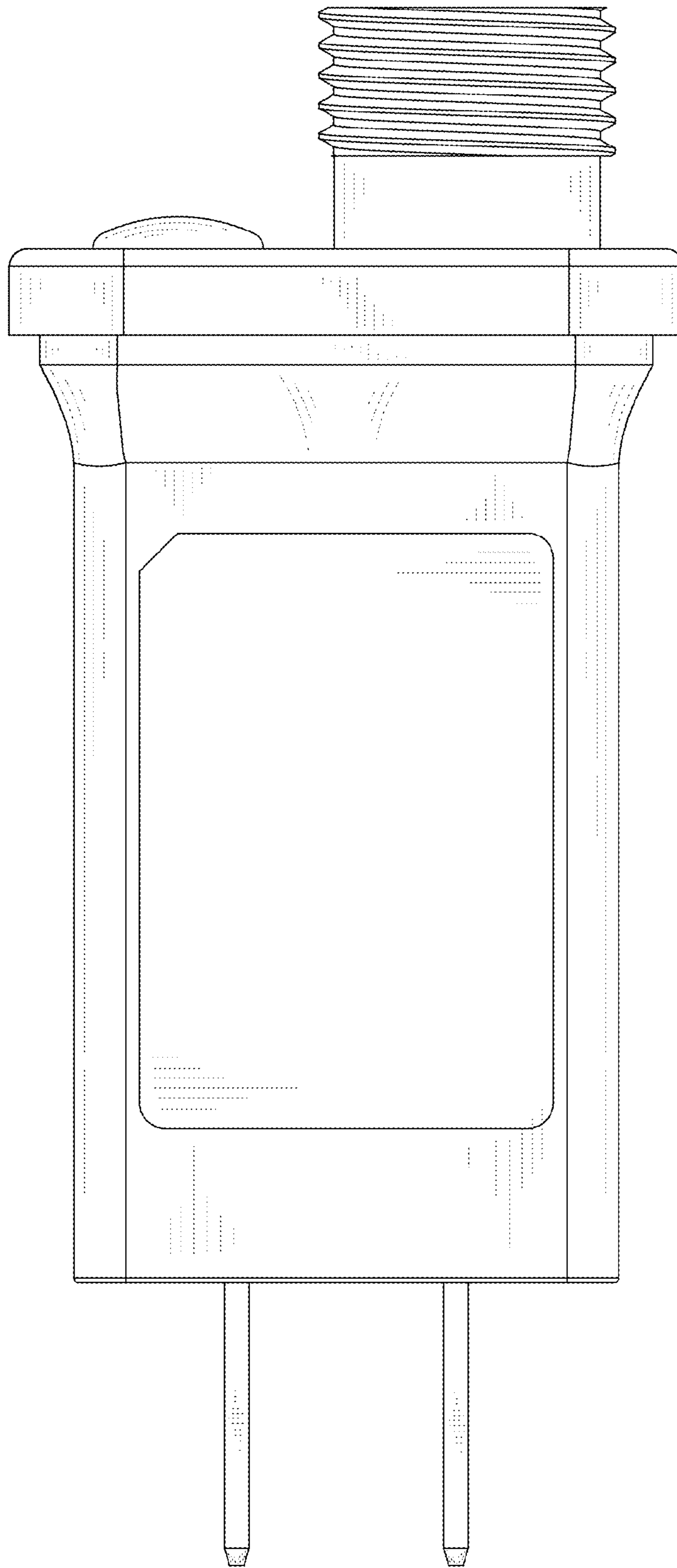


FIG. 4

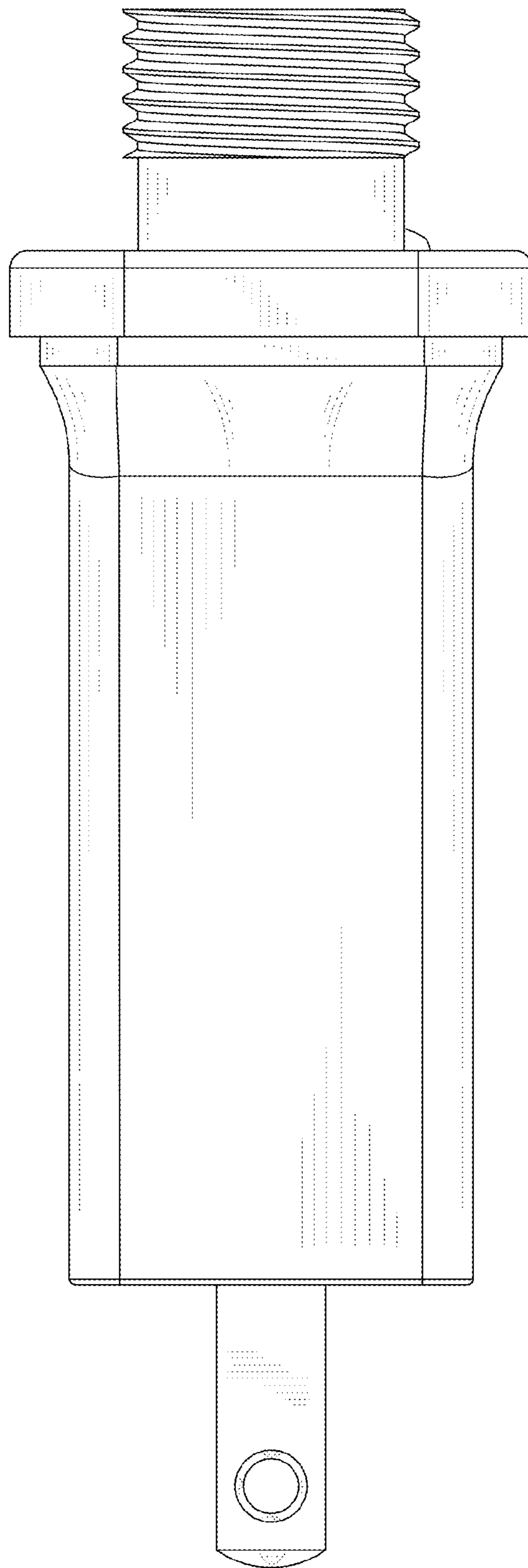


FIG. 5

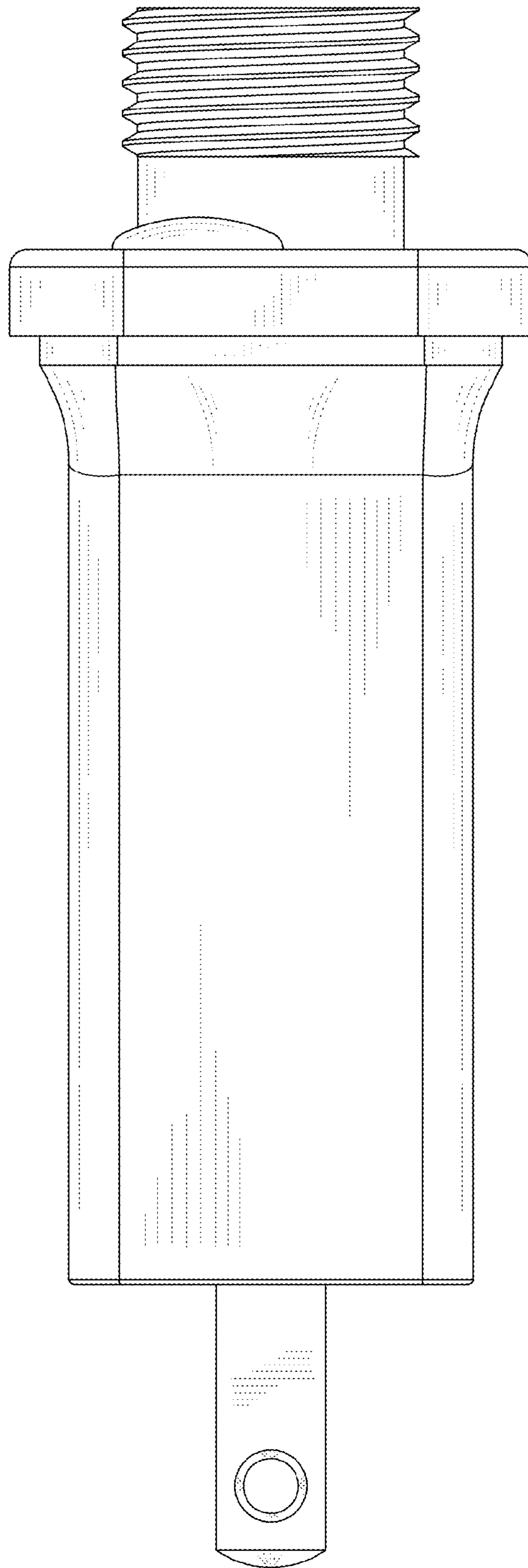


FIG. 6

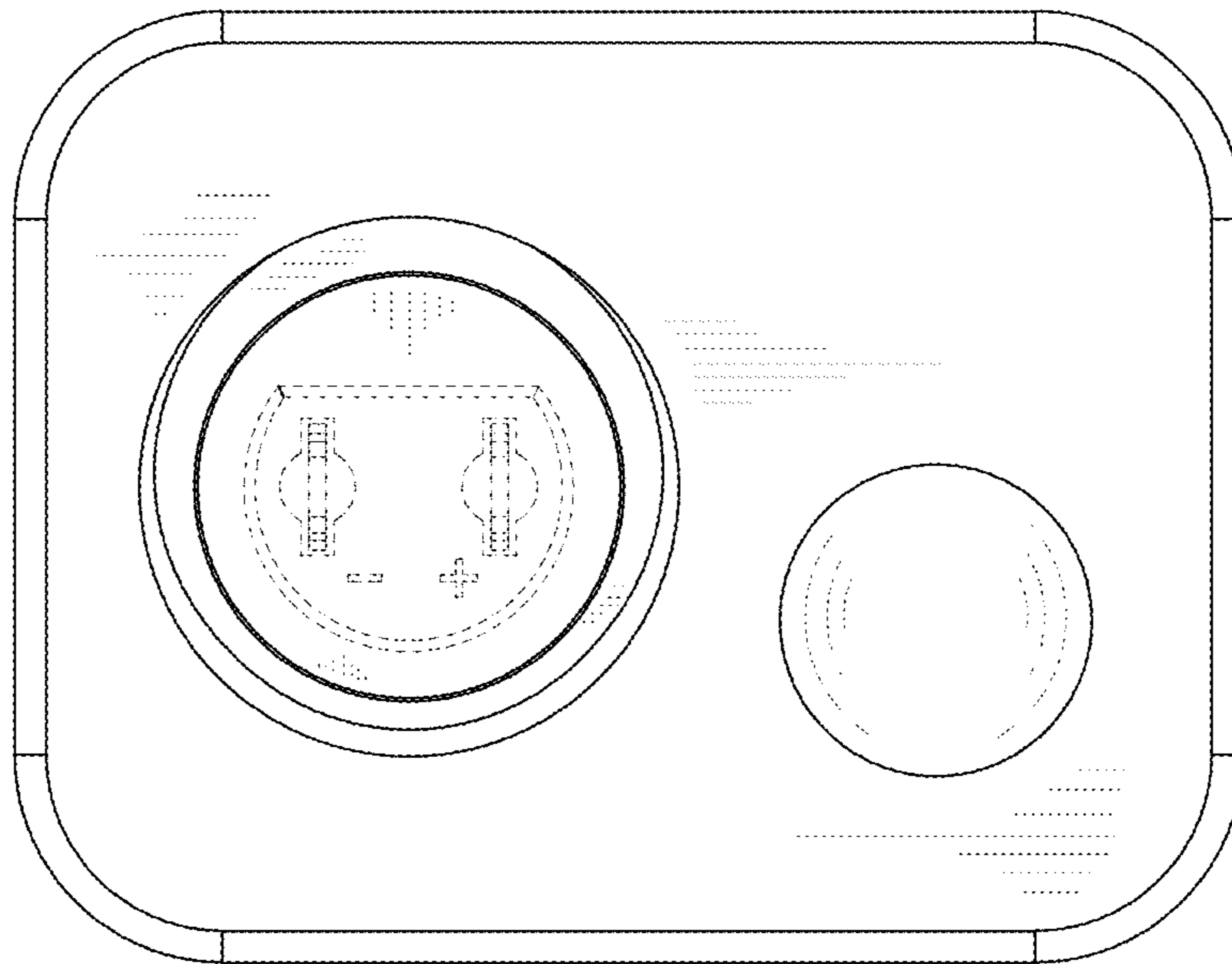


FIG. 7



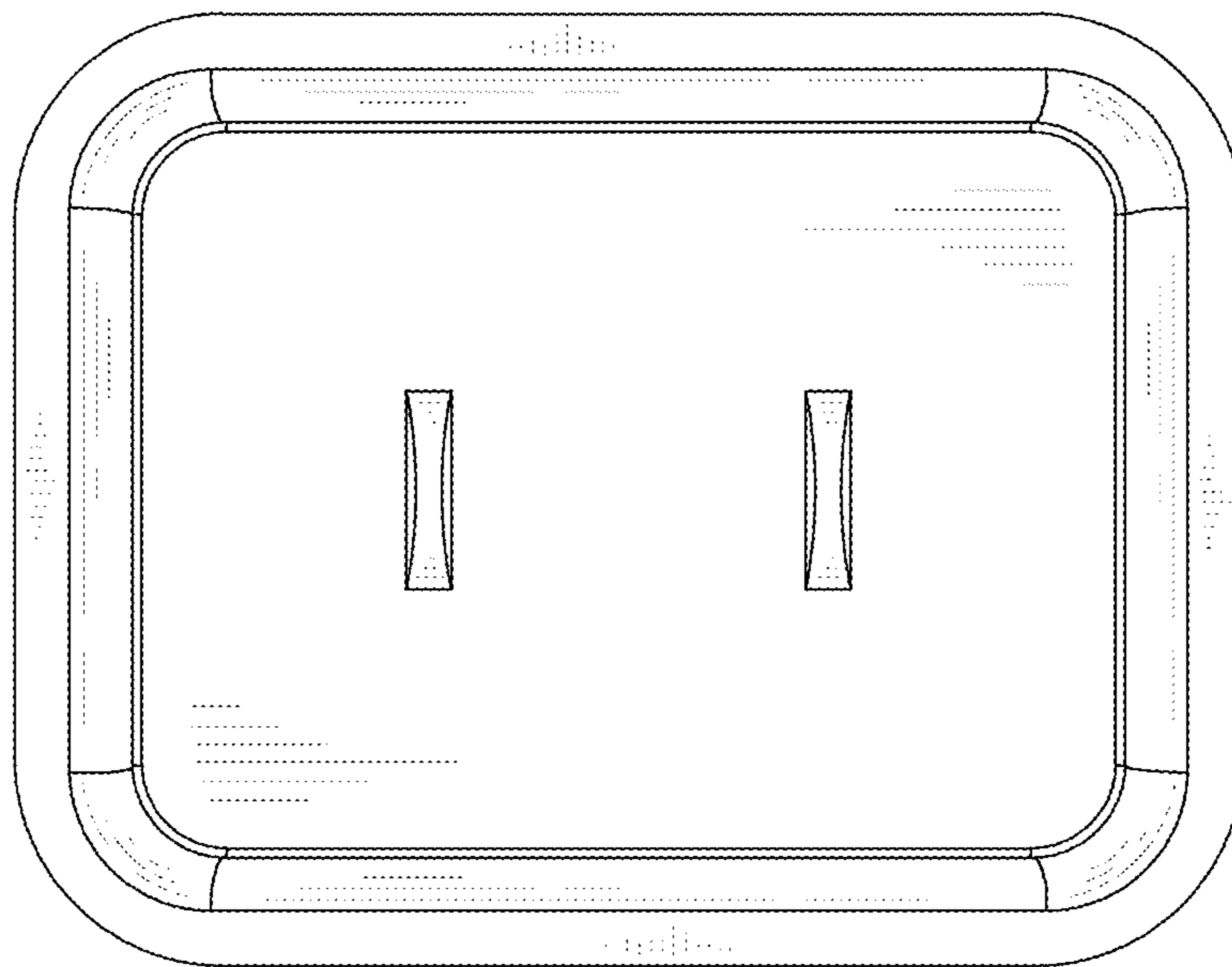


FIG. 8