



US00D910555S

(12) **United States Design Patent**
Shum et al.

(10) **Patent No.:** **US D910,555 S**

(45) **Date of Patent:** **** Feb. 16, 2021**

(54) **INVERTER**

(71) Applicant: **VECTOR PRODUCTS, INC.**, Boca Raton, FL (US)

(72) Inventors: **Ling To Shum**, Boca Raton, FL (US);
Mathew Inskeep, Highland Beach, FL (US)

(73) Assignee: **VECTOR PRODUCTS, INC.**, Boca Raton, FL (US)

(**) Term: **15 Years**

(21) Appl. No.: **29/713,000**

(22) Filed: **Nov. 13, 2019**

(51) **LOC (13) Cl.** **13-02**

(52) **U.S. Cl.**
USPC **D13/110**

(58) **Field of Classification Search**
USPC D13/110, 107, 108, 118, 123, 162, 164,
D13/168, 169, 174, 177, 184, 199;
D14/257, 432, 438

CPC H05K 5/00; H05K 5/02; H05K 5/0247;
H05K 7/00; H05K 7/20; H05K 7/20136;
H05K 7/20154; H05K 7/209; H05K
7/1417; H05K 7/1427; H05K 7/20918;
H02M 7/00; H02M 7/003; H02J 7/0042
See application file for complete search history.

(56) **References Cited**

U.S. PATENT DOCUMENTS

D332,443 S * 1/1993 Sharpe D13/184
5,521,792 A * 5/1996 Pleitz H05K 7/20854
361/690

5,949,640 A * 9/1999 Cameron H05K 5/0247
361/600
D505,915 S * 6/2005 Hussaini D13/110
D526,614 S * 8/2006 Kajiura D13/110
D562,235 S * 2/2008 Hussaini D13/110
7,483,272 B2 * 1/2009 Hussaini H02M 7/003
361/704
7,817,406 B2 * 10/2010 Bremicker H05K 7/1432
361/679.01
D664,502 S * 7/2012 Inskeep D13/107
D742,826 S * 11/2015 Hetzroni D13/110
D785,565 S * 5/2017 Xu D13/110
D852,742 S * 7/2019 Li D13/110
D864,113 S * 10/2019 Zhang D13/110

* cited by examiner

Primary Examiner — Derrick E Holland

(74) *Attorney, Agent, or Firm* — Daniel S. Polley, P.A.

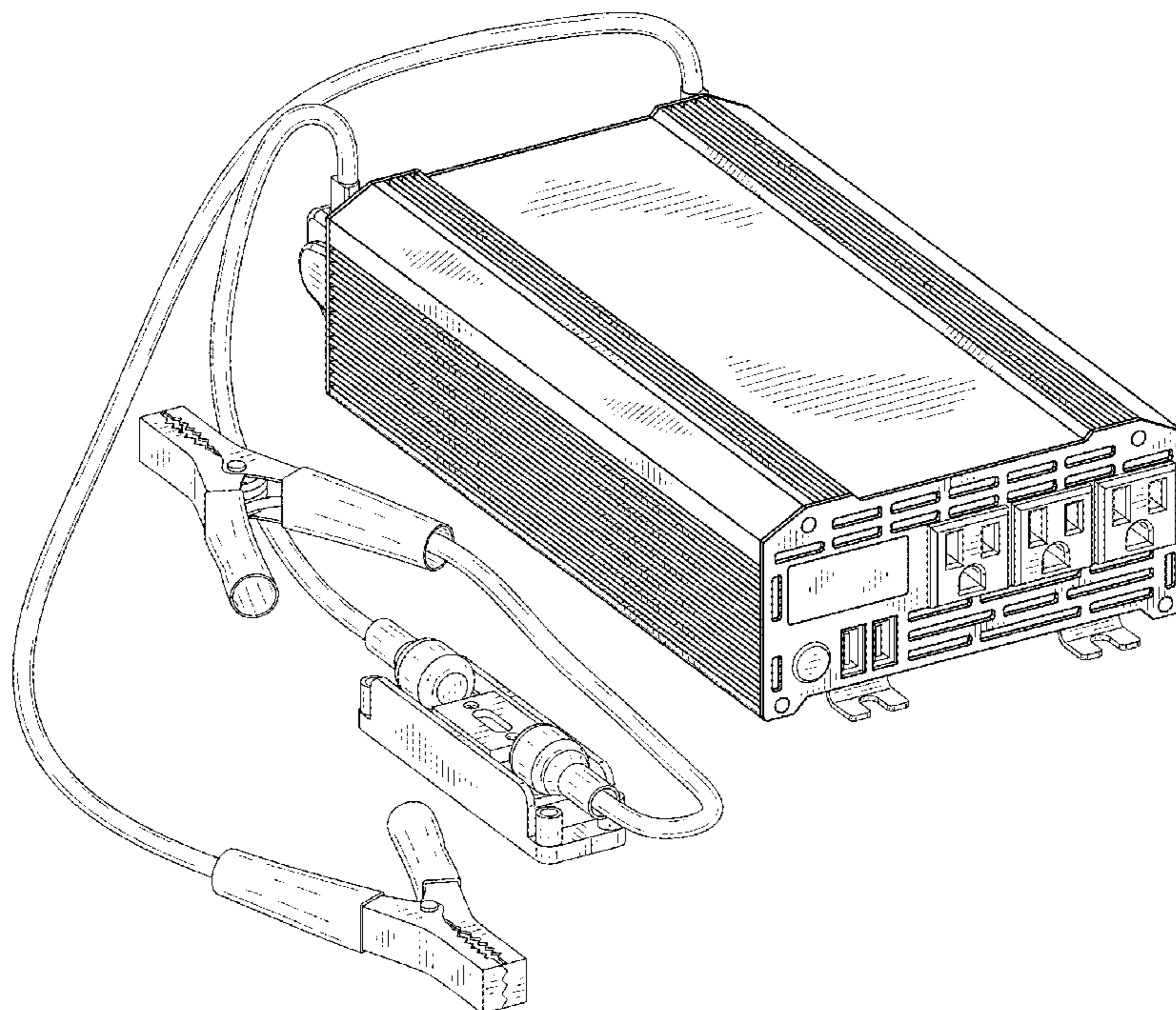
(57) **CLAIM**

The ornamental design for an inverter, as shown and described.

DESCRIPTION

FIG. 1 is a top front perspective view of an inverter showing our new design;
FIG. 2 is a bottom back perspective view thereof;
FIG. 3 is top back perspective view thereof and showing the wire connector covers rotated to an open position;
FIG. 4 is a top plan view thereof;
FIG. 5 is a bottom plan view thereof;
FIG. 6 is a left side elevational view thereof;
FIG. 7 is a right side elevational view thereof;
FIG. 8 is a front elevational view thereof; and,
FIG. 9 is a back elevational view thereof.

1 Claim, 9 Drawing Sheets



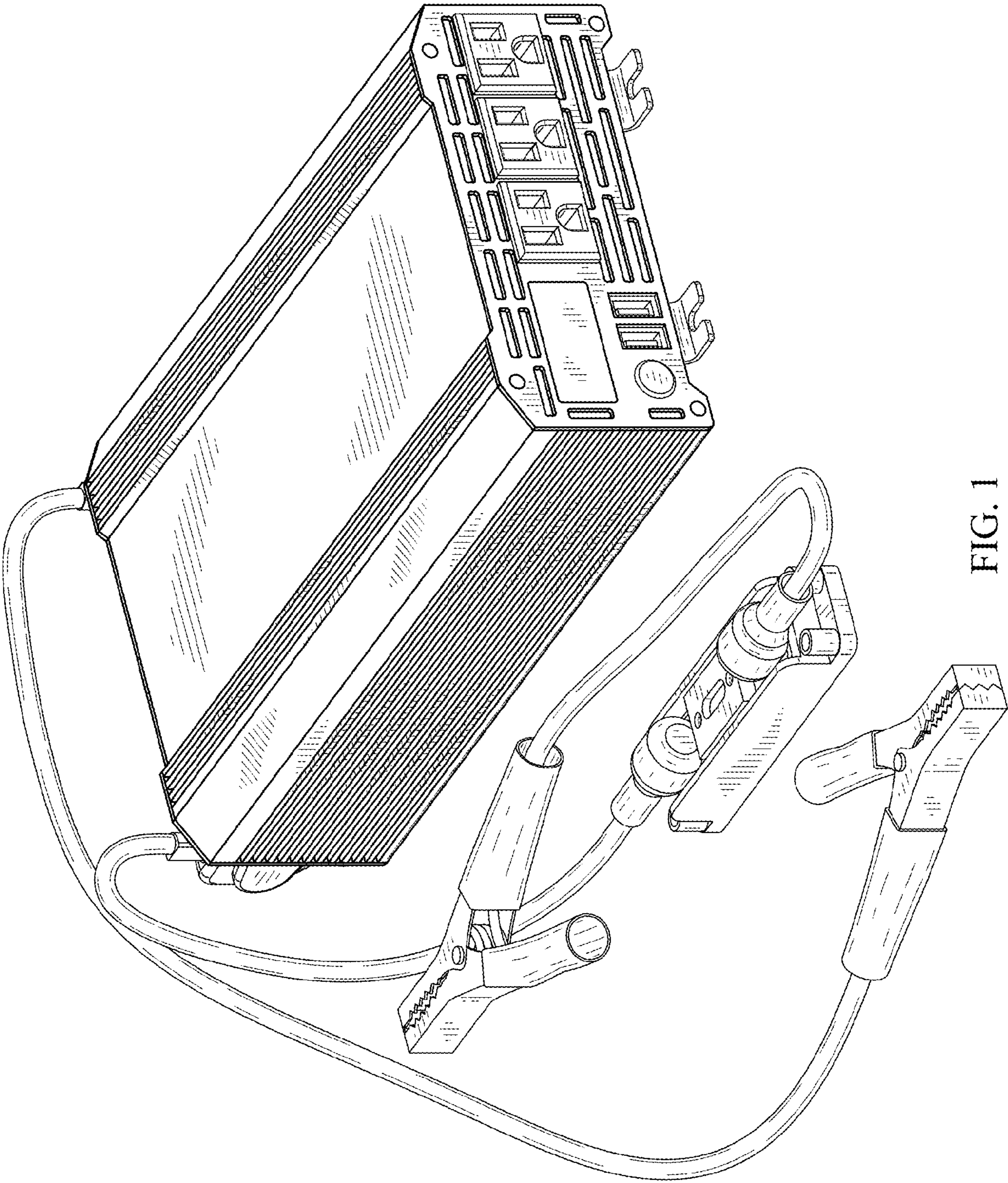


FIG. 1

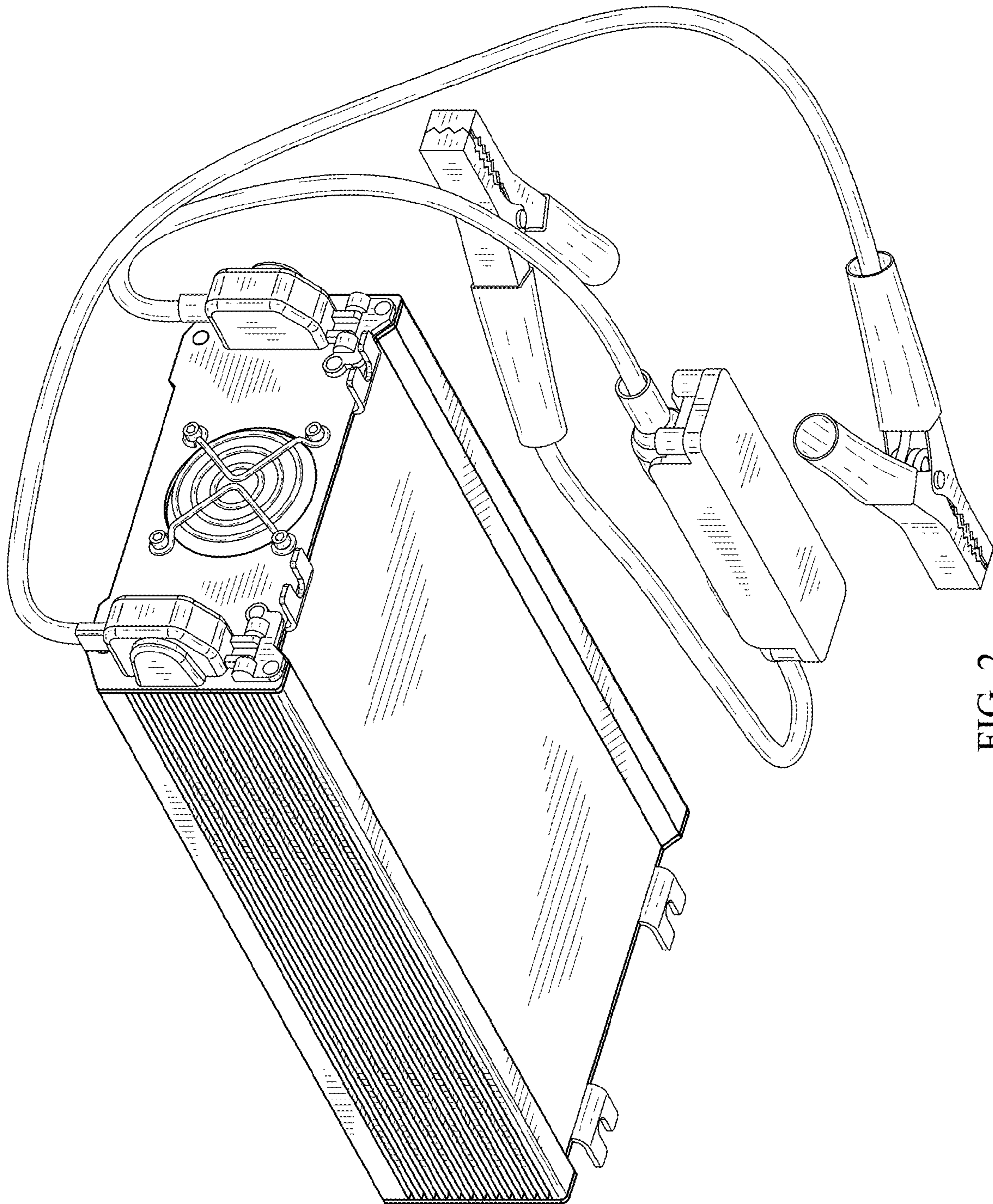


FIG. 2

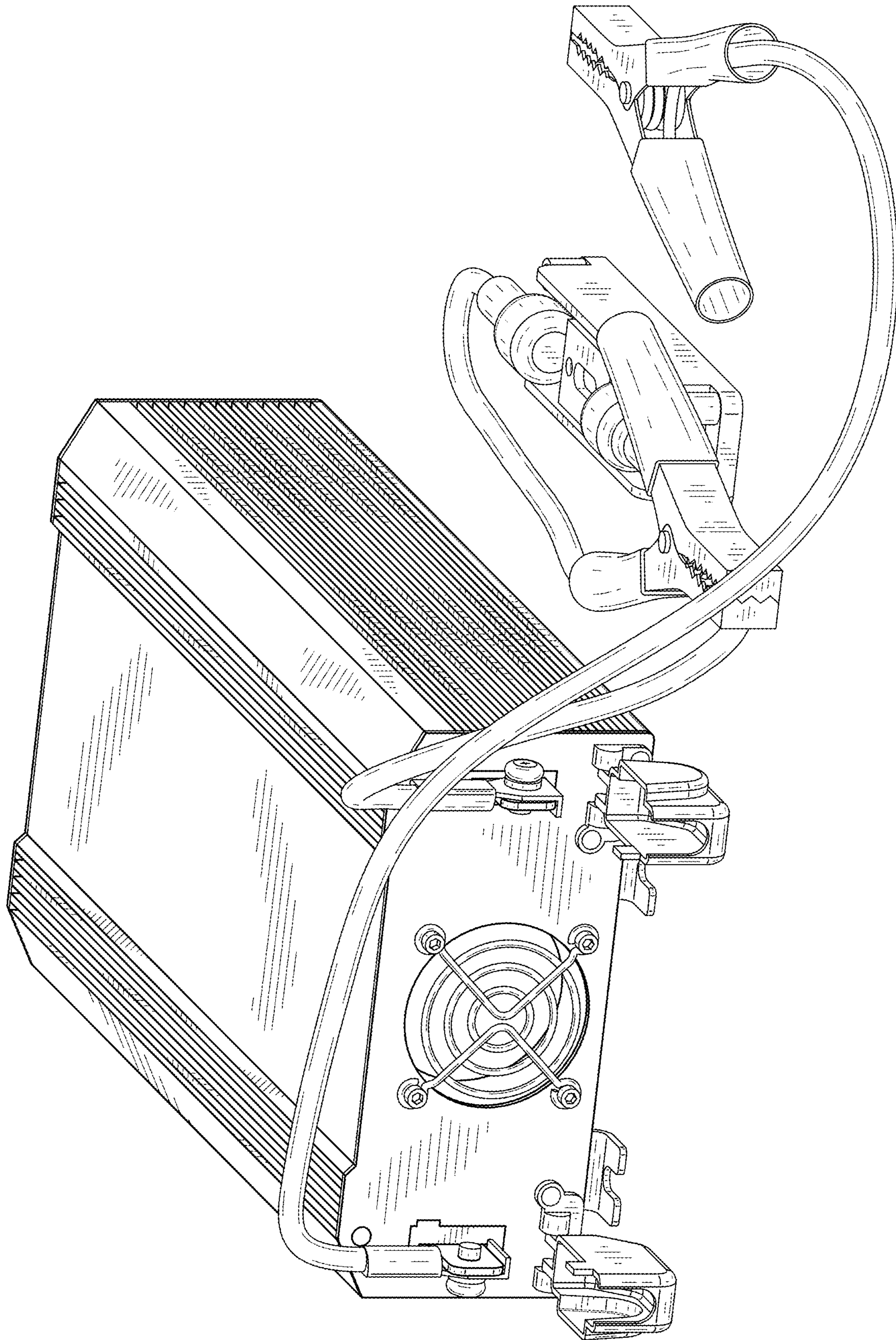


FIG. 3

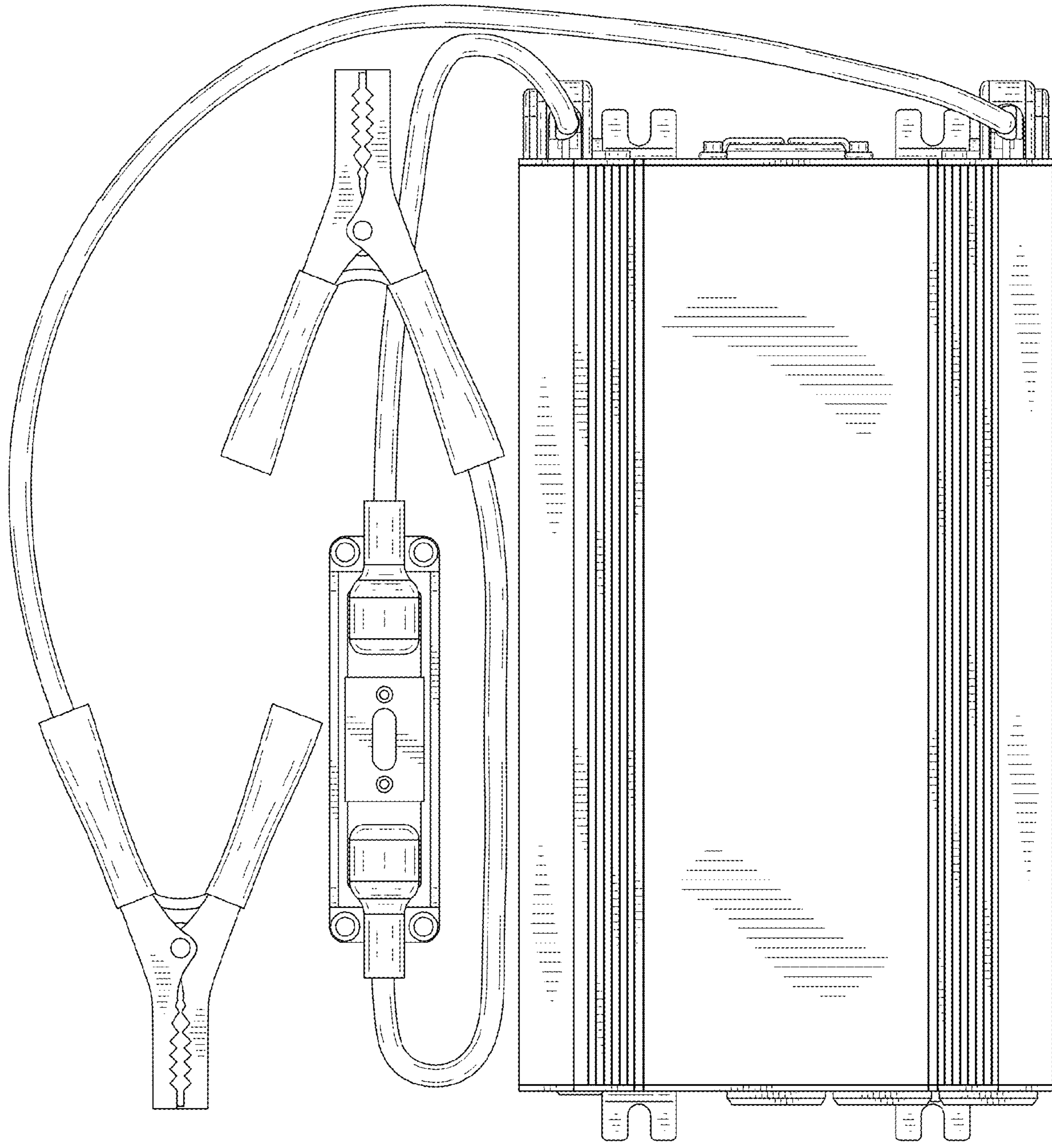


FIG. 4

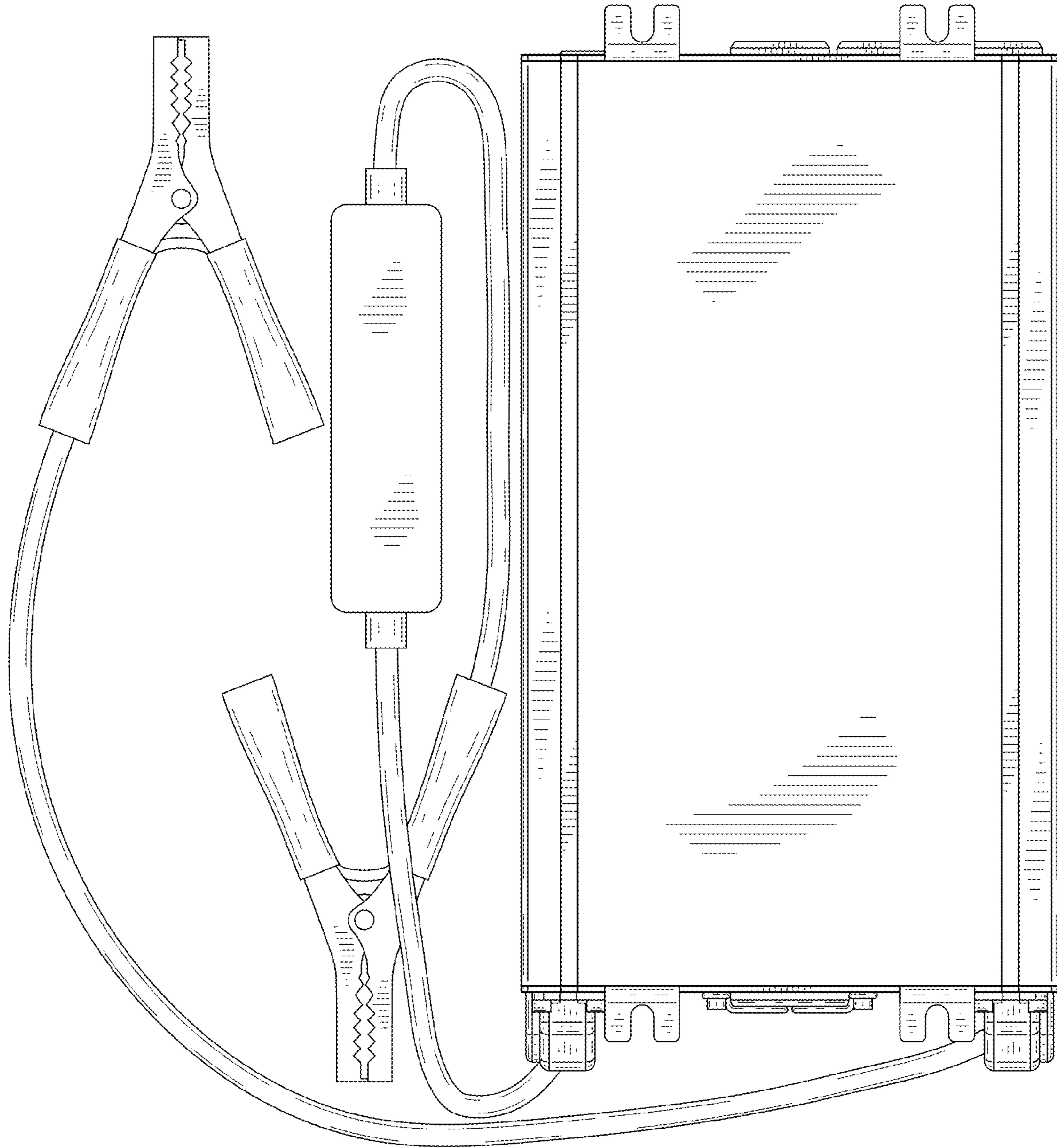


FIG. 5

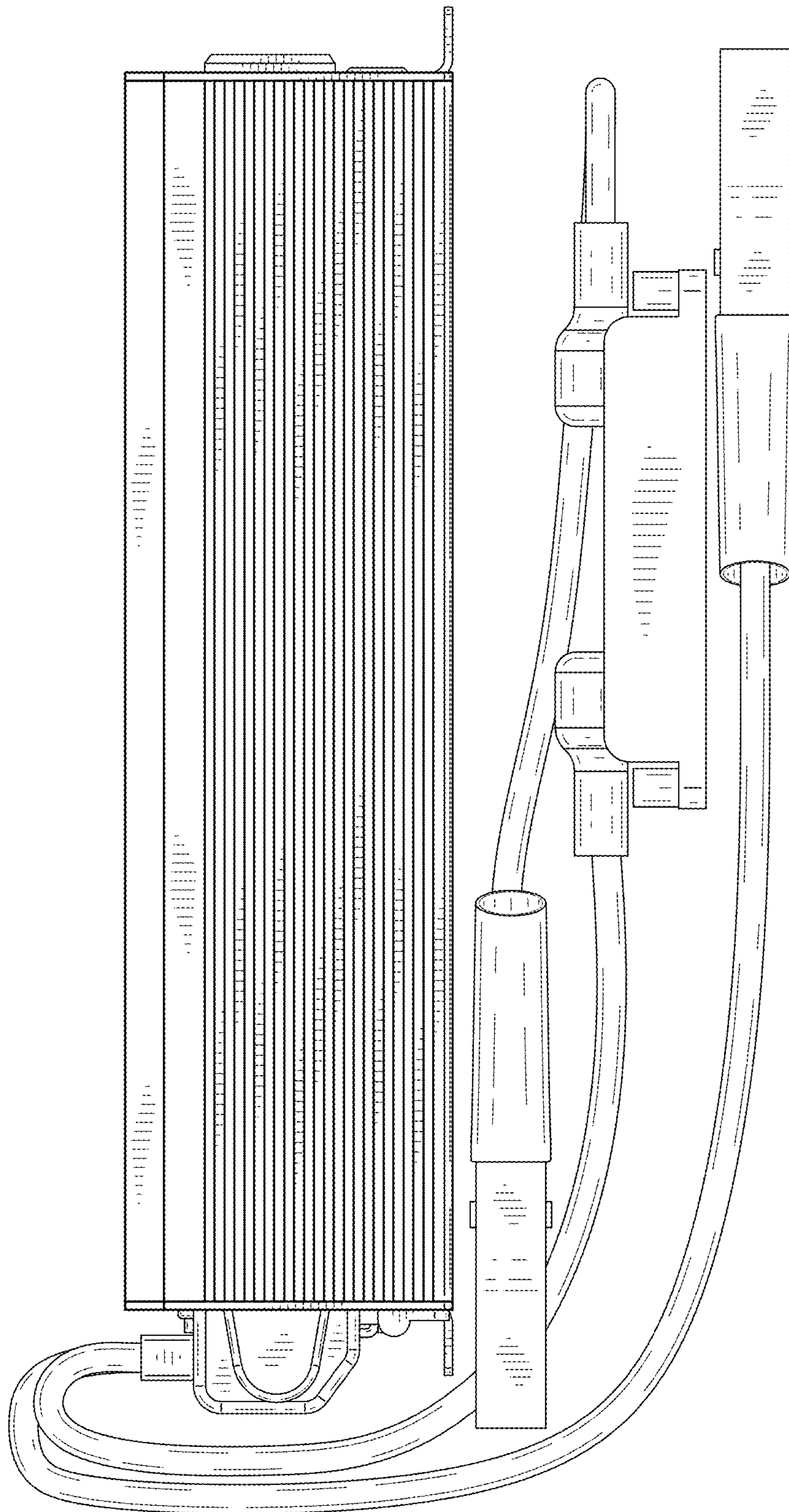


FIG. 6

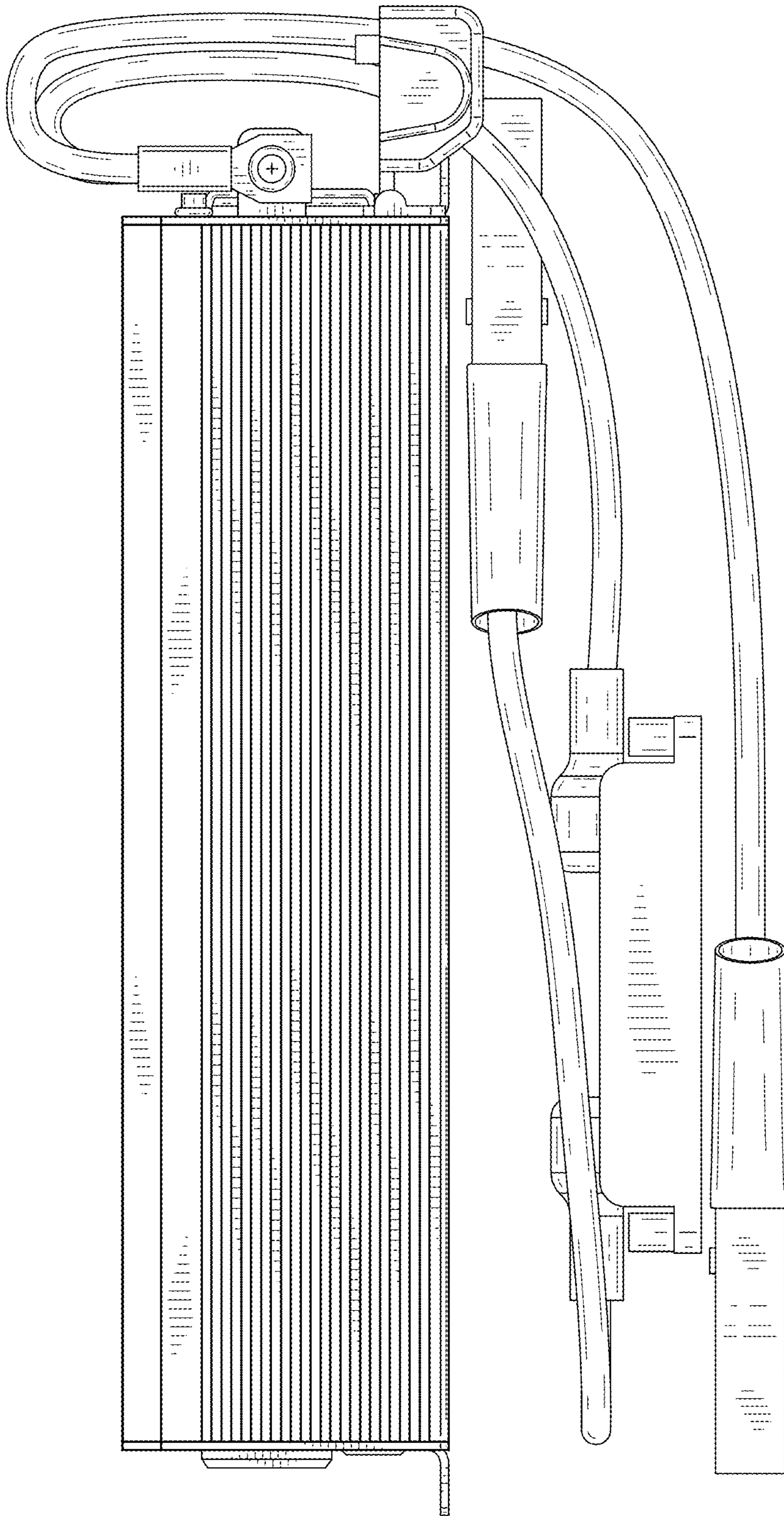


FIG. 7

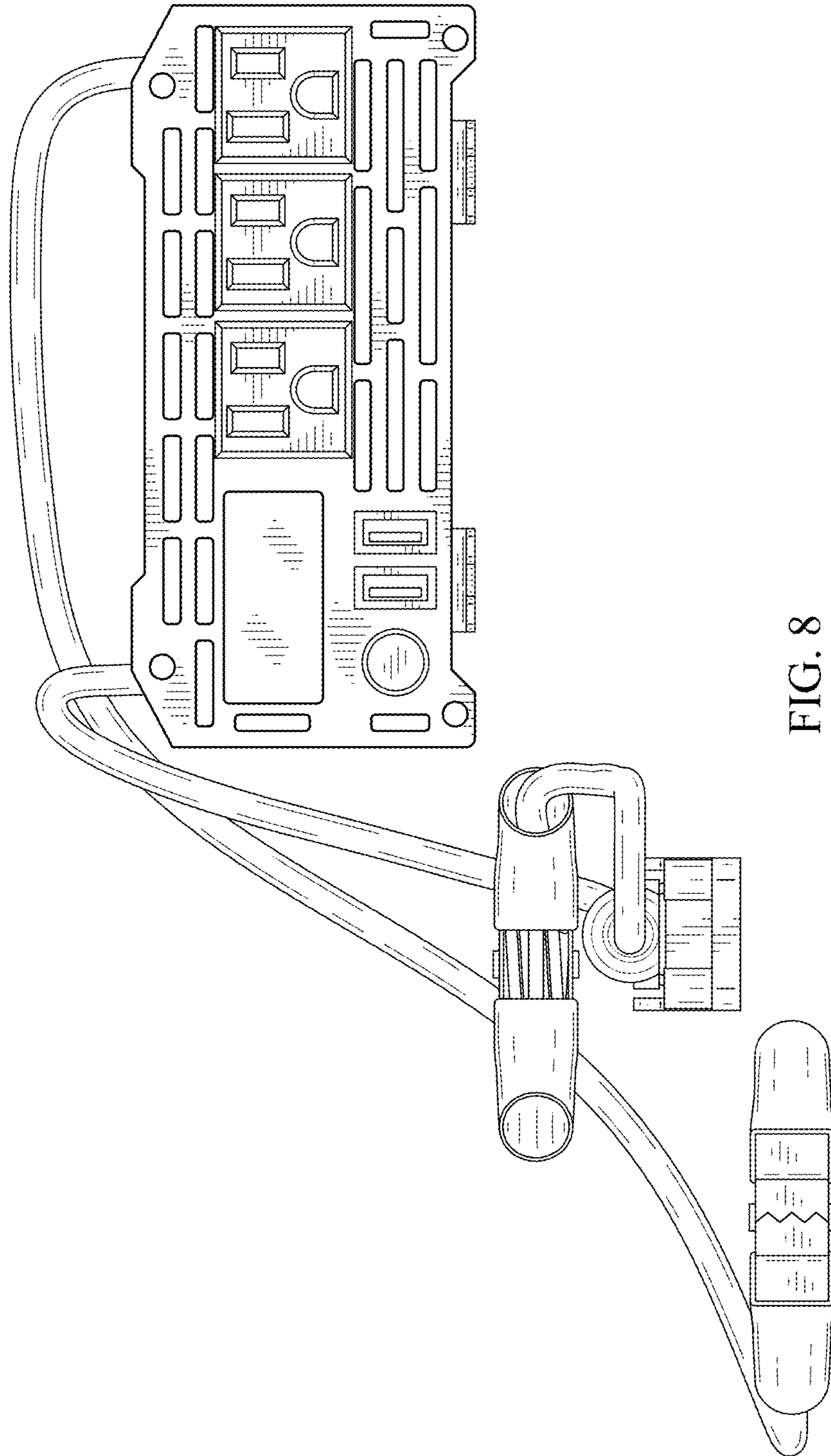


FIG. 8

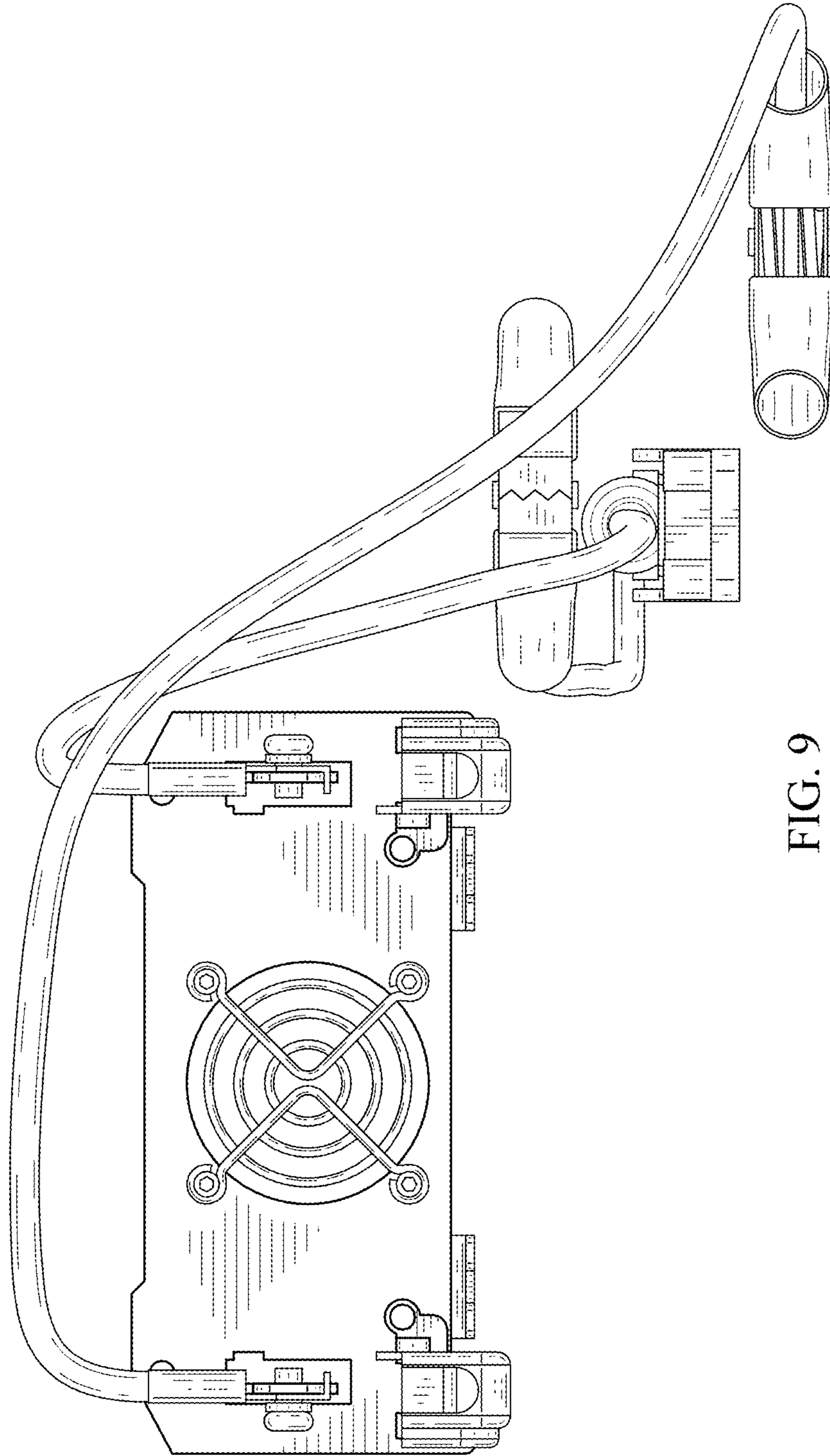


FIG. 9