



US00D910554S

(12) **United States Design Patent**  
**Li et al.**

(10) **Patent No.:** **US D910,554 S**  
(45) **Date of Patent:** **\*\* Feb. 16, 2021**

(54) **CHARGER FOR SMART WATCH**  
(71) Applicant: **BEIJING XIAOMI MOBILE SOFTWARE CO., LTD.**, Beijing (CN)  
(72) Inventors: **Ningning Li**, Beijing (CN); **Yingchun Xie**, Beijing (CN); **Jing Jiang**, Beijing (CN); **Zhi Fan**, Beijing (CN)  
(73) Assignee: **Beijing Xiaomi Mobile Software Co., Ltd.**, Beijing (CN)  
(\*\*) Term: **15 Years**  
(21) Appl. No.: **35/508,286**  
(22) Filed: **Oct. 14, 2019**

D724,025 S \* 3/2015 Peek ..... D13/108  
D776,053 S \* 1/2017 Barnard ..... D13/108  
D789,295 S \* 6/2017 Nuk ..... D13/108  
D791,072 S \* 7/2017 Hoehn ..... D13/107  
D799,494 S \* 10/2017 Lee ..... D14/447  
D804,483 S \* 12/2017 Minoli ..... D14/434  
D808,898 S \* 1/2018 Walker ..... D13/103  
D811,414 S \* 2/2018 Lee ..... D14/447  
D816,030 S \* 4/2018 Sumida ..... D13/108  
10,108,228 B2 \* 10/2018 Jiang ..... G06F 1/1601  
10,312,717 B2 \* 6/2019 Green ..... H02J 50/10  
D857,625 S \* 8/2019 Cao ..... D13/108  
D873,829 S \* 1/2020 Akana ..... D14/434  
D877,072 S \* 3/2020 Yin ..... D13/108  
D884,622 S \* 5/2020 Huang ..... D13/108  
D889,470 S \* 7/2020 Zhang ..... D14/433  
D893,422 S \* 8/2020 Xiao ..... D13/108  
D898,669 S \* 10/2020 Liao ..... D13/110  
D900,109 S \* 10/2020 Wu ..... D14/433

(Continued)

(80) **Hague Agreement Data**

Int. Filing Date: **Oct. 14, 2019**  
Int. Reg. No.: **DM/205132**  
Int. Reg. Date: **Oct. 14, 2019**  
Int. Reg. Pub. Date: **Jan. 3, 2020**

*Primary Examiner* — Rhea Shields

(74) *Attorney, Agent, or Firm* — Syncoda LLC; Feng Ma

(57) **CLAIM**

The ornamental design for a charger for smart watch, as shown and described.

(30) **Foreign Application Priority Data**

Apr. 22, 2019 (CN) ..... 2019 3 0186884

(51) **LOC (13) Cl.** ..... **13-02**

(52) **U.S. Cl.**  
USPC ..... **D13/108**

(58) **Field of Classification Search**  
USPC ..... D13/108, 107, 110, 103; D14/447, 434, D14/433  
CPC ..... G06F 1/1601; G06F 1/26; H02J 50/10; H02J 7/0044; H04M 1/04

See application file for complete search history.

(56) **References Cited**

**U.S. PATENT DOCUMENTS**

D588,985 S \* 3/2009 O'Hern ..... D13/107  
D691,947 S \* 10/2013 Cole ..... D13/108

**DESCRIPTION**

1. Charger for smart watch

1.1 : Front

1.2 : Back

1.3 : Left

1.4 : Right

1.5 : Top

1.6 : Bottom

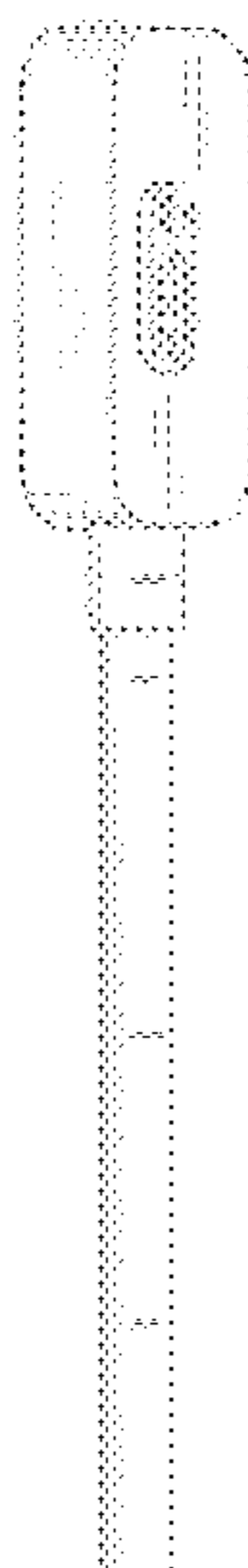
1.7 : Perspective

1.8 : Perspective

1.9 is a perspective view of the charger for smart watch shown in an environment.

In reproduction 1.9 the broken lines are for the purpose of illustrating environment only and form no part of the claimed design.

**1 Claim, 9 Drawing Sheets**



(56)

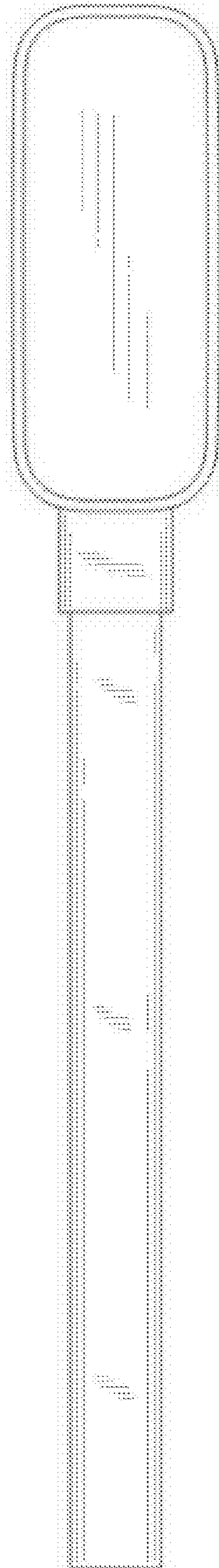
**References Cited**

U.S. PATENT DOCUMENTS

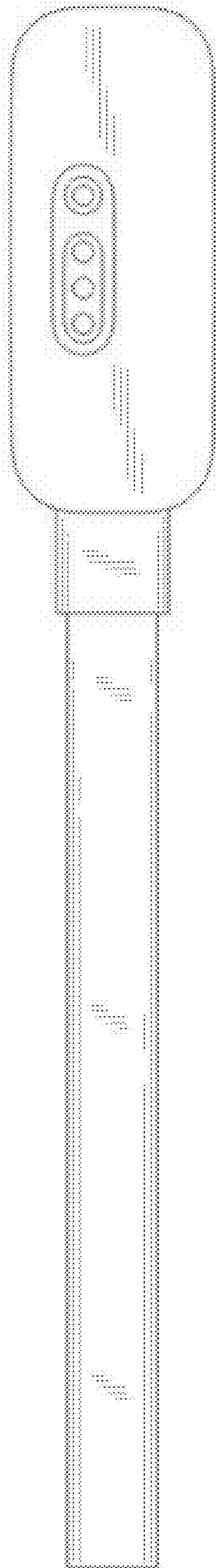
D900,824 S *	11/2020	Wu	.....	D14/433
2010/0315041 A1 *	12/2010	Tan	.....	H02J 7/0044 320/115
2015/0002088 A1 *	1/2015	D'Agostino	.....	H02J 7/0044 320/108
2015/0131216 A1 *	5/2015	Huang	.....	G06F 1/26 361/679.03
2016/0195898 A1 *	7/2016	Lau	.....	H04M 1/04 361/679.41

\* cited by examiner

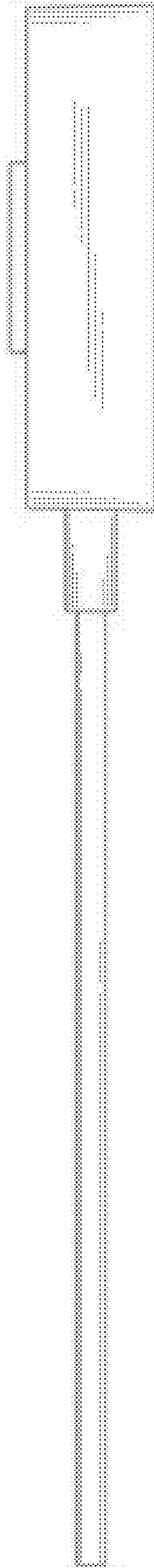
1.1



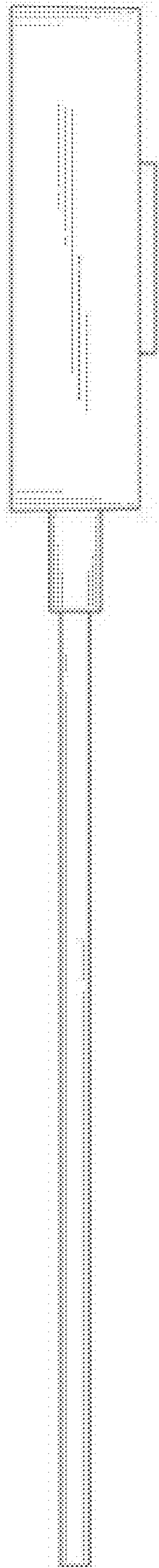
1.2



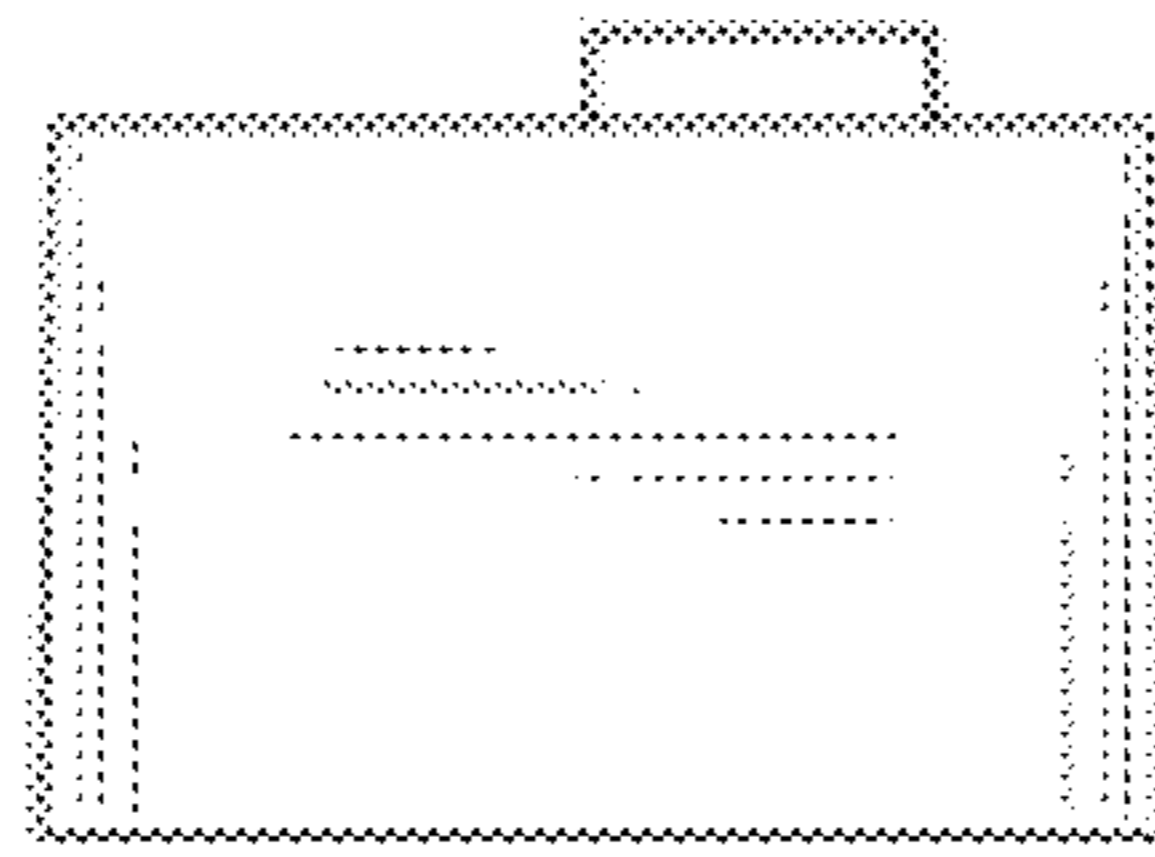
1.3



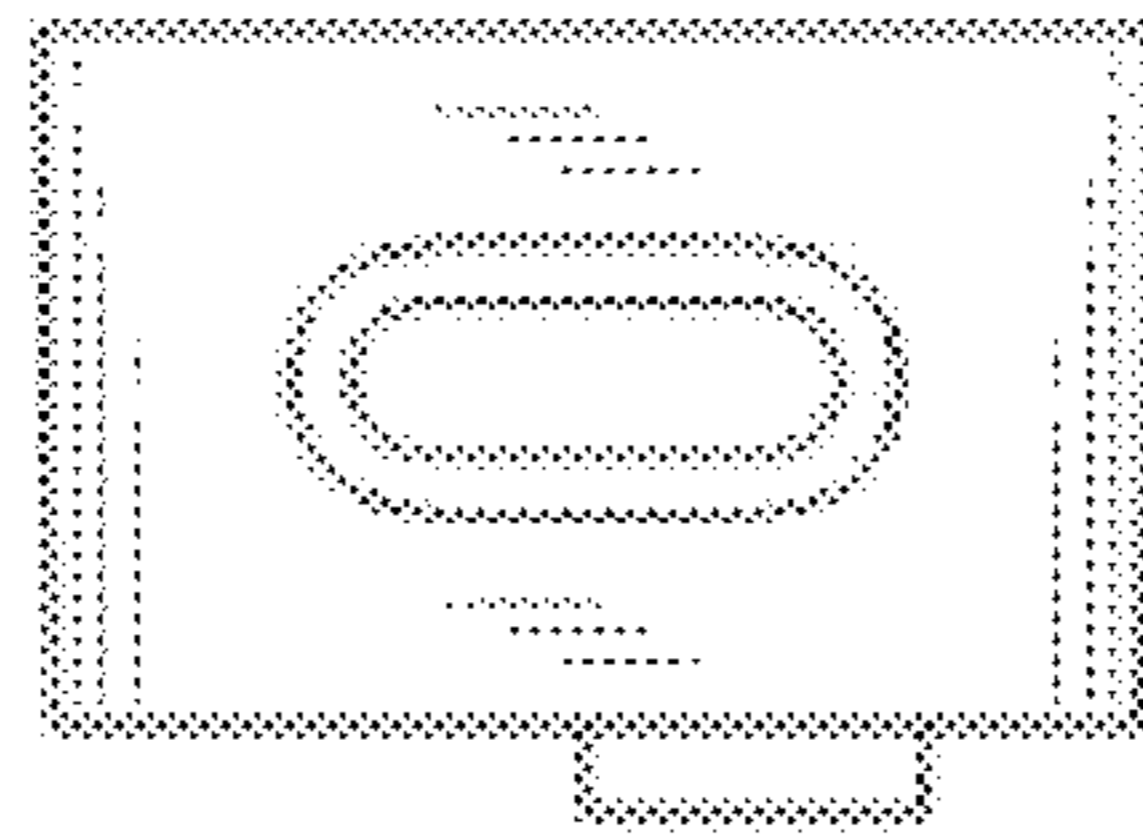
1.4



1.5

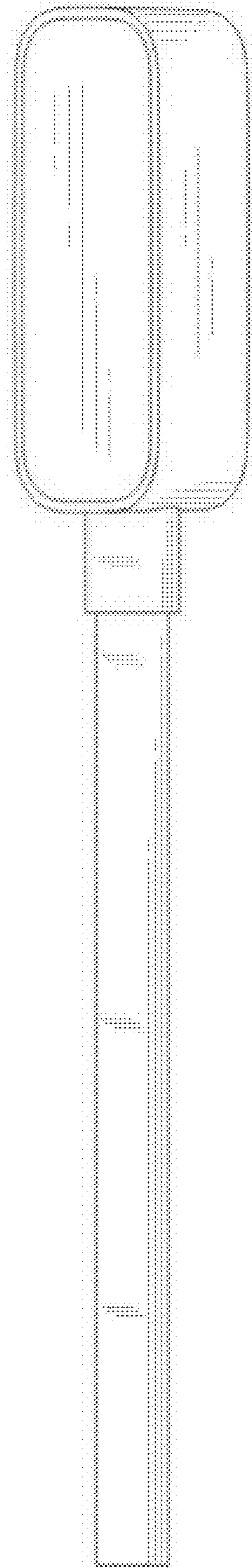


1.6

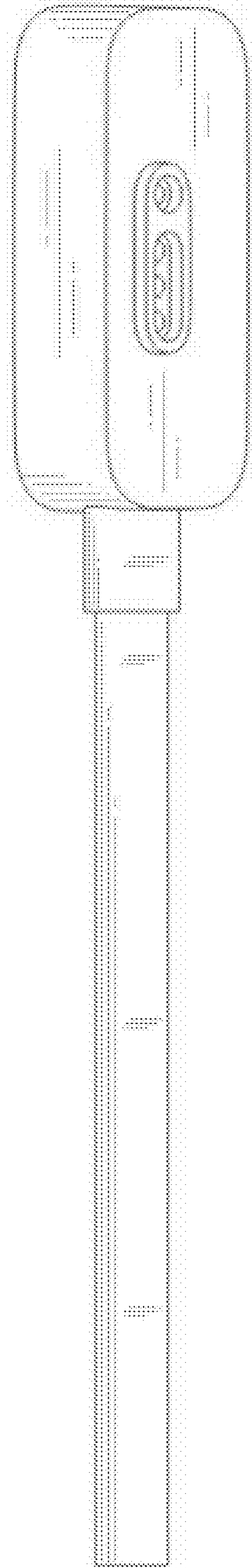




1.7



1.8



1.9

