



US00D910551S

(12) **United States Design Patent** (10) **Patent No.:** **US D910,551 S**  
**Wang** (45) **Date of Patent:** **\*\* Feb. 16, 2021**

(54) **BATTERY ELIMINATOR**  
(71) Applicant: **Hao Wang**, Guangzhou (CN)  
(72) Inventor: **Hao Wang**, Guangzhou (CN)  
(\*\*) Term: **15 Years**  
(21) Appl. No.: **29/729,875**  
(22) Filed: **Mar. 31, 2020**  
(51) **LOC (13) Cl.** ..... **13-02**  
(52) **U.S. Cl.**  
USPC ..... **D13/107**  
(58) **Field of Classification Search**  
USPC ..... D13/107–110, 118–119, 184; D14/251,  
D14/253, 432, 434  
CPC ..... Y02E 60/12; Y02T 90/14; Y02T 90/122;  
Y02T 90/128; Y02T 90/163; H02J 7/025;  
H02J 7/0042; H02J 7/0044; H02J 7/0045;  
H02J 7/0013; H02J 7/0003; H01F 38/14;  
H01R 13/6675; H01M 2/1022; H01M  
2/1055; H01M 10/44; H01M 10/46;  
H01M 10/425; B60L 11/182  
See application file for complete search history.

(56) **References Cited**  
U.S. PATENT DOCUMENTS  
D261,881 S \* 11/1981 Reiner ..... D13/110  
D367,258 S \* 2/1996 Olexa, Jr. .... D13/103  
D481,993 S \* 11/2003 Searle ..... D13/103

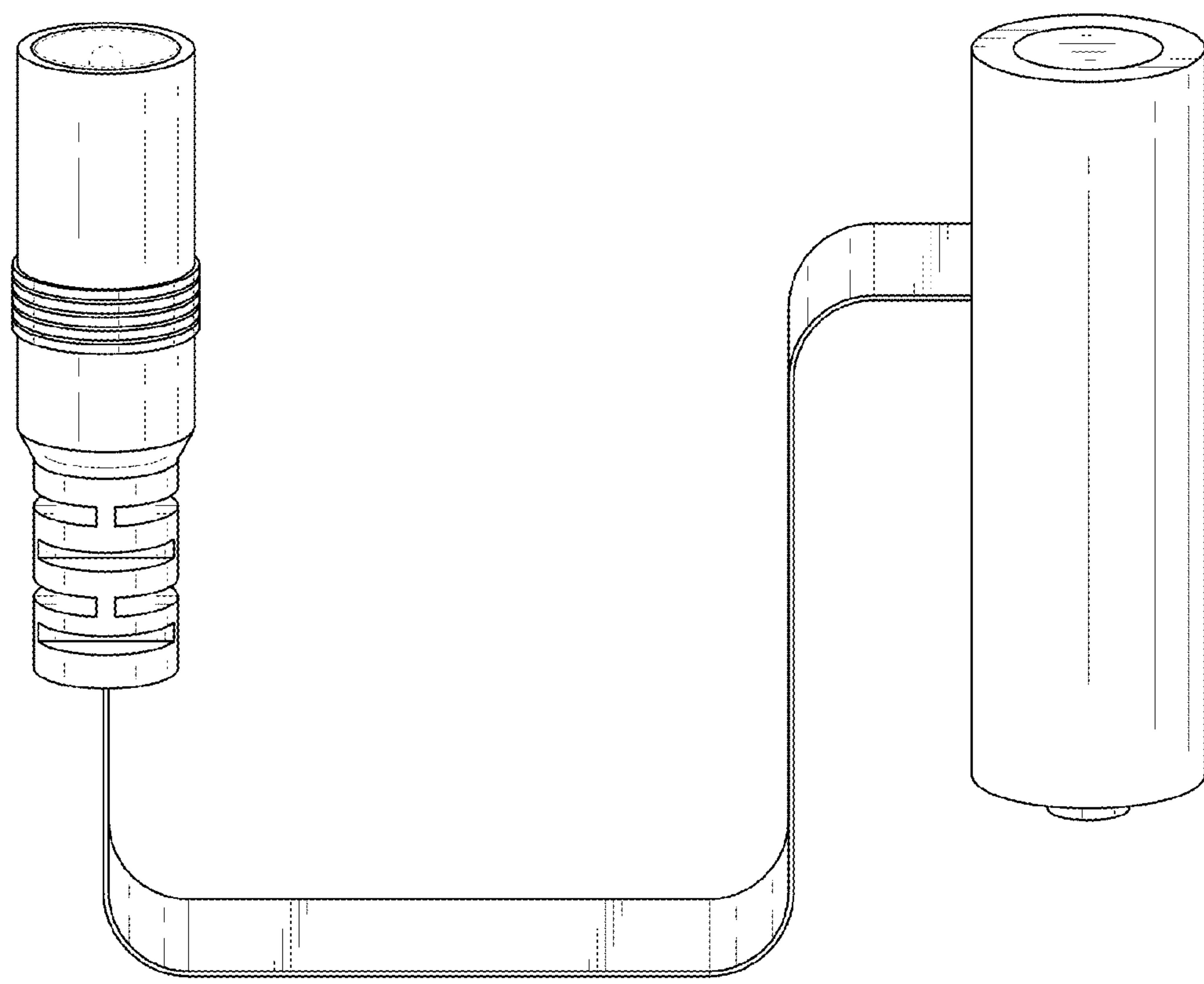
D539,217 S \* 3/2007 Hamaguchi ..... D13/103  
D541,739 S \* 5/2007 Mitchell ..... D13/108  
D543,143 S \* 5/2007 Hamaguchi ..... D13/103  
D664,498 S \* 7/2012 Liu ..... D13/103  
D691,945 S \* 10/2013 Neidhart ..... D13/103  
D749,044 S \* 2/2016 Huang ..... D13/108  
D762,564 S \* 8/2016 Patton ..... D13/103  
D780,115 S \* 2/2017 Huang ..... D13/107  
D817,873 S \* 5/2018 Inskeep  
D832,785 S \* 11/2018 Rostami ..... D13/108  
D845,892 S \* 4/2019 Shum et al.  
D870,659 S \* 12/2019 Liao ..... D13/108

\* cited by examiner  
*Primary Examiner* — Nathaniel D. Buckner  
(74) *Attorney, Agent, or Firm* — Rumi Ranjit Kanakia

(57) **CLAIM**  
I claim the ornamental design for a battery eliminator, as shown and described.

**DESCRIPTION**  
FIG. 1 is a Perspective view of a battery eliminator showing my new design;  
FIG. 2 is a Front view thereof;  
FIG. 3 is a Back view thereof;  
FIG. 4 is a Left-side view thereof;  
FIG. 5 is a Right-side view thereof;  
FIG. 6 is a Top view thereof; and,  
FIG. 7 is a Bottom view thereof.  
The broken lines in the figures depict portions of the article which form no part of the claimed design.

**1 Claim, 6 Drawing Sheets**



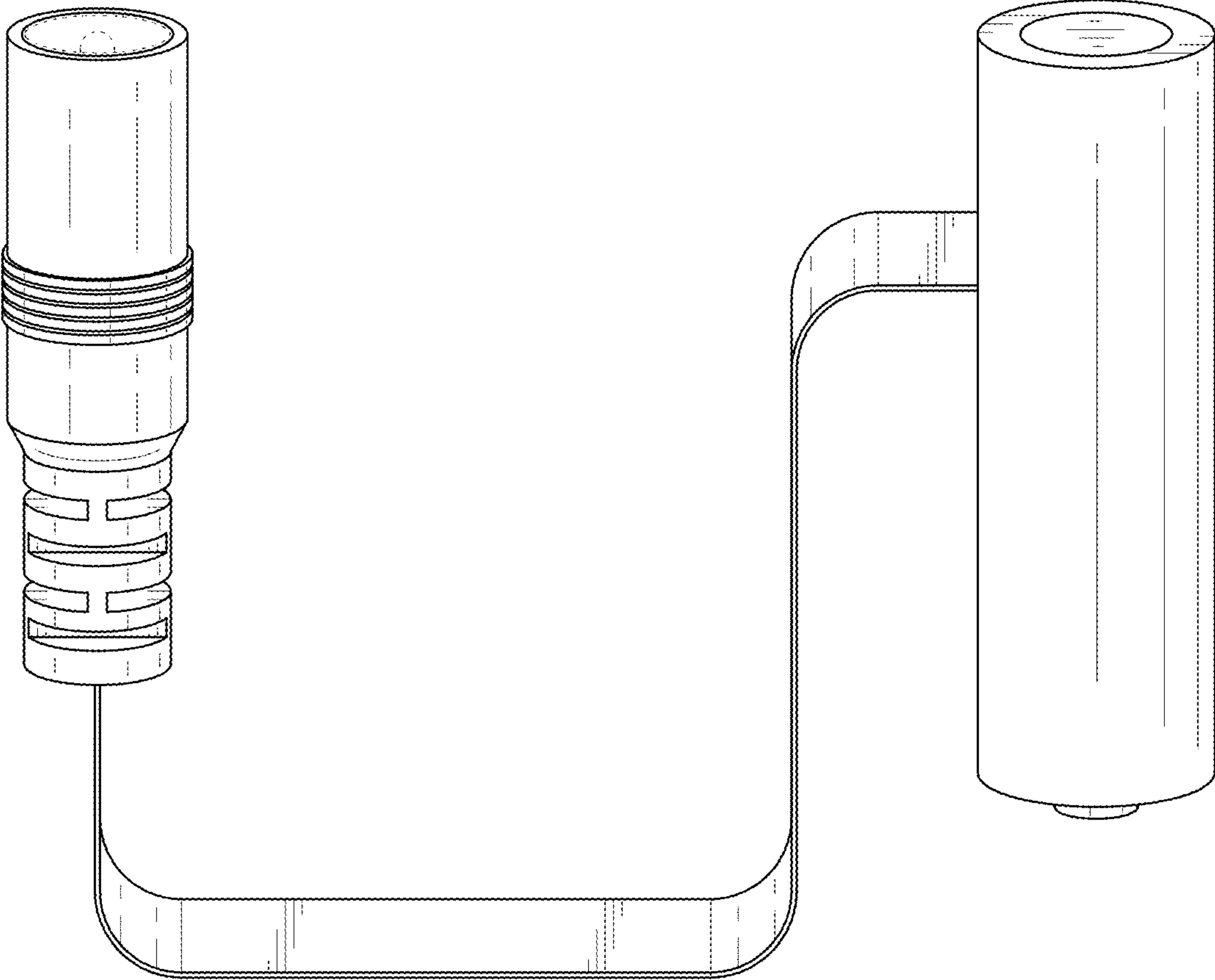


FIG. 1

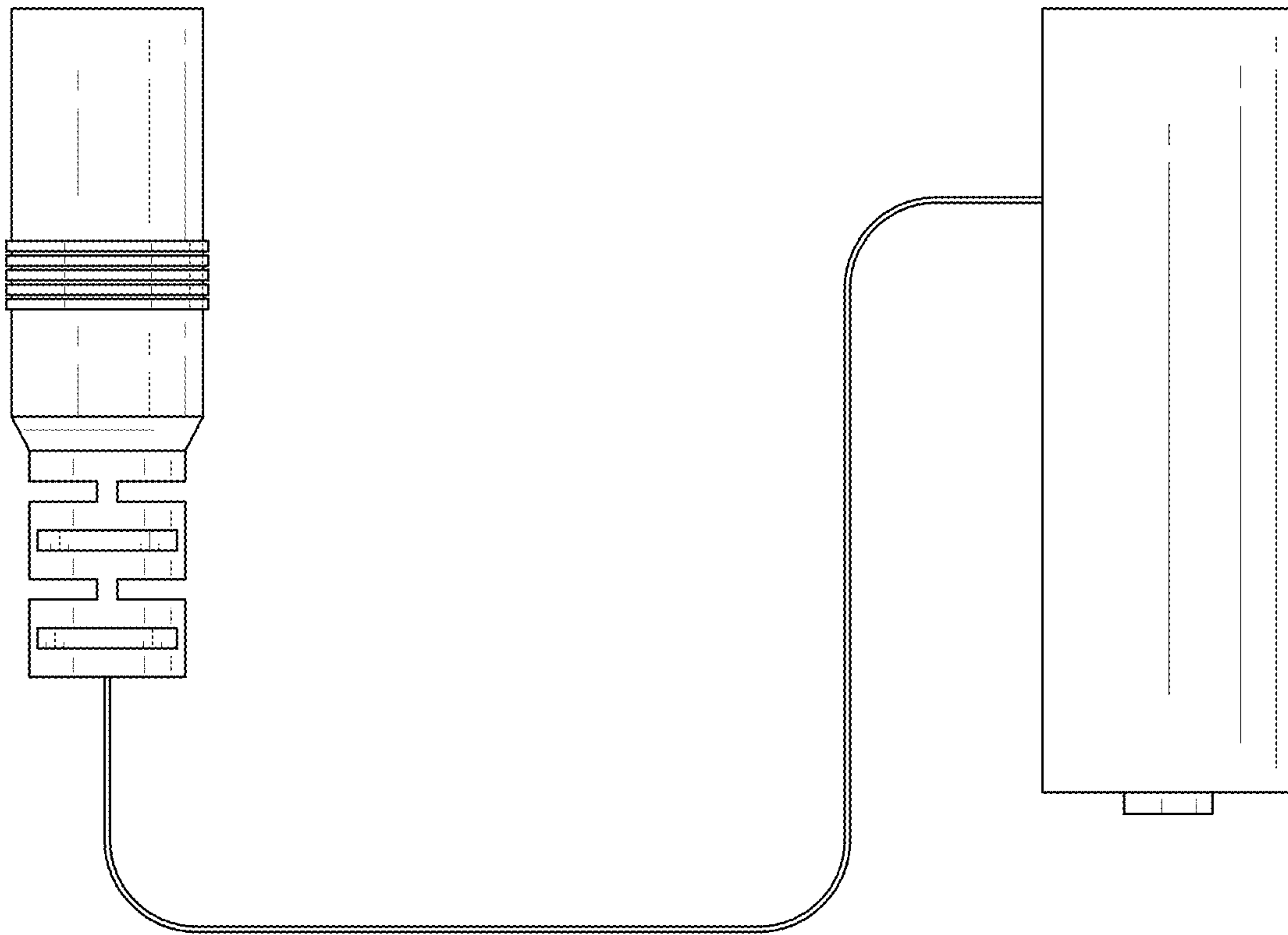


FIG. 2

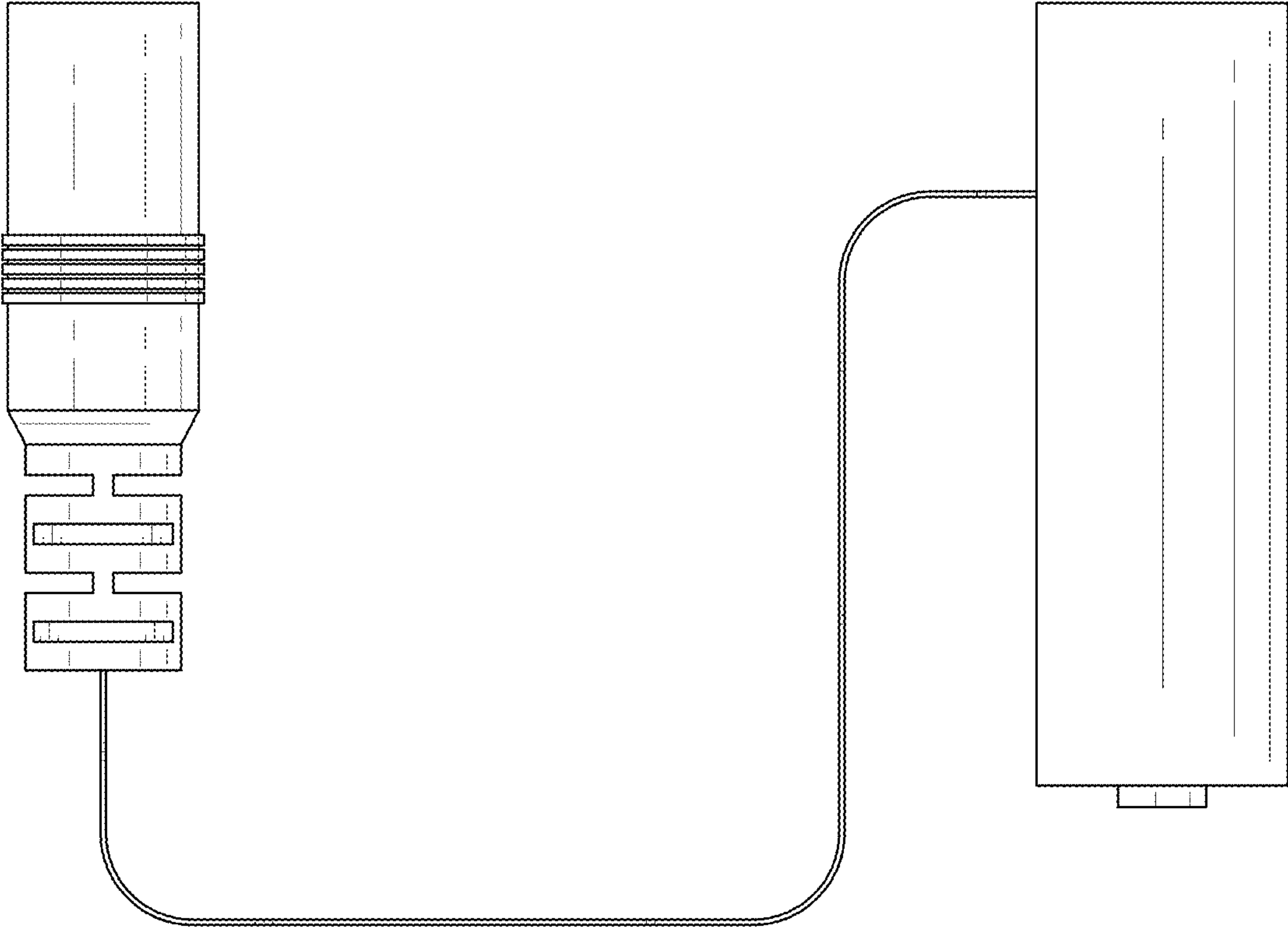


FIG. 3

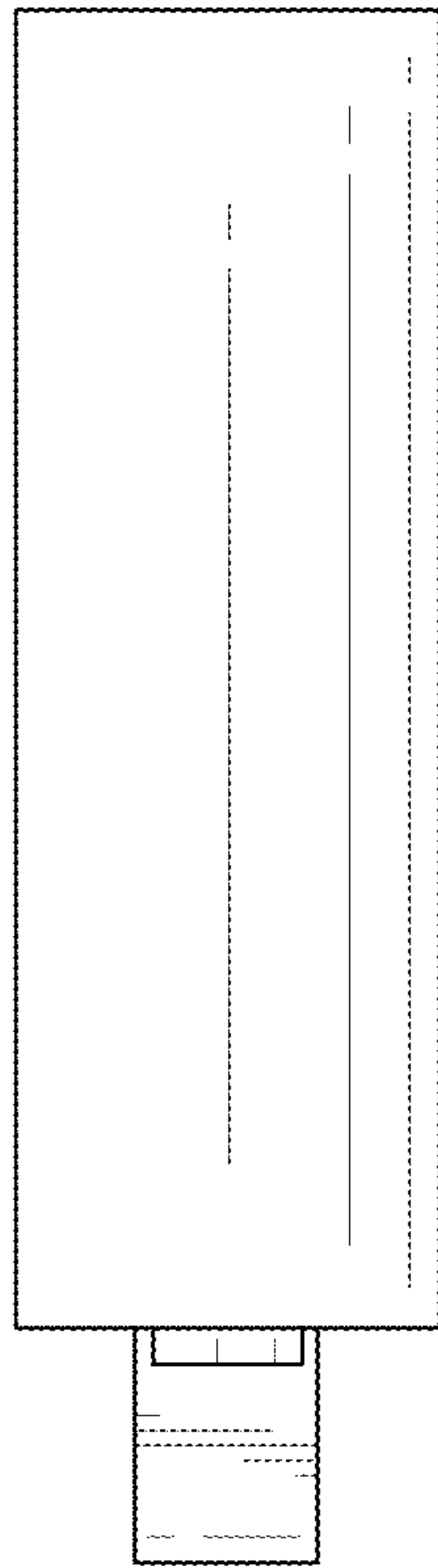


FIG. 4

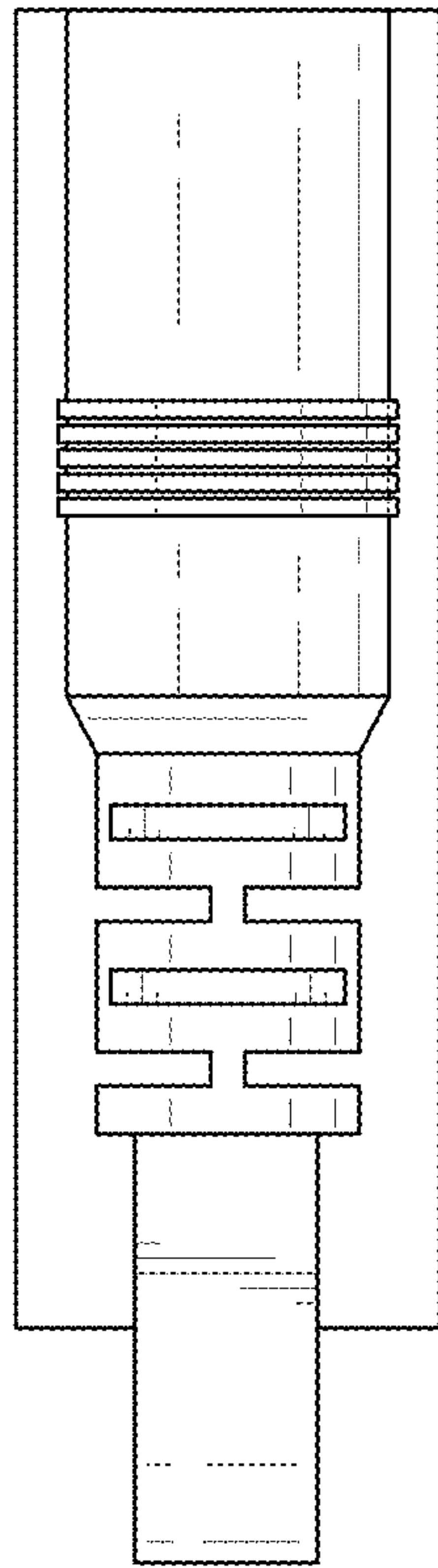


FIG. 5

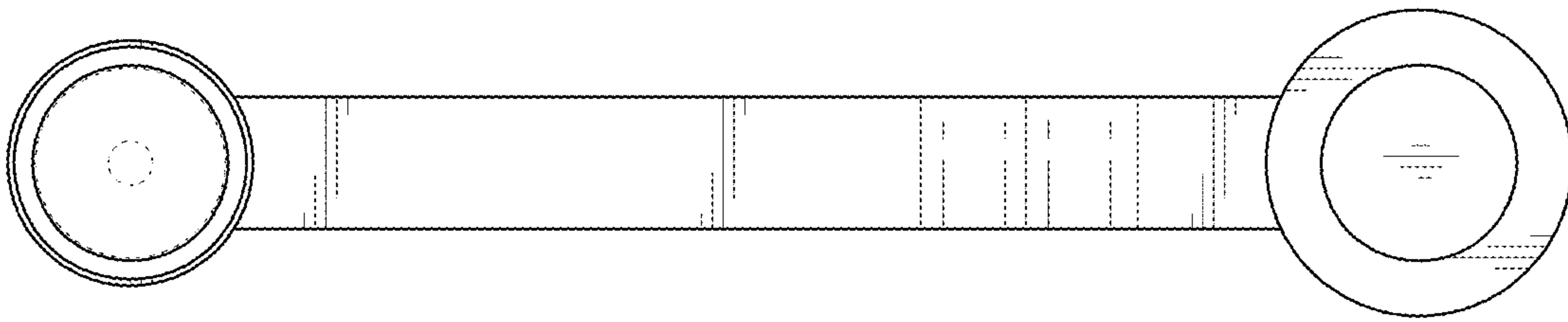


FIG. 6

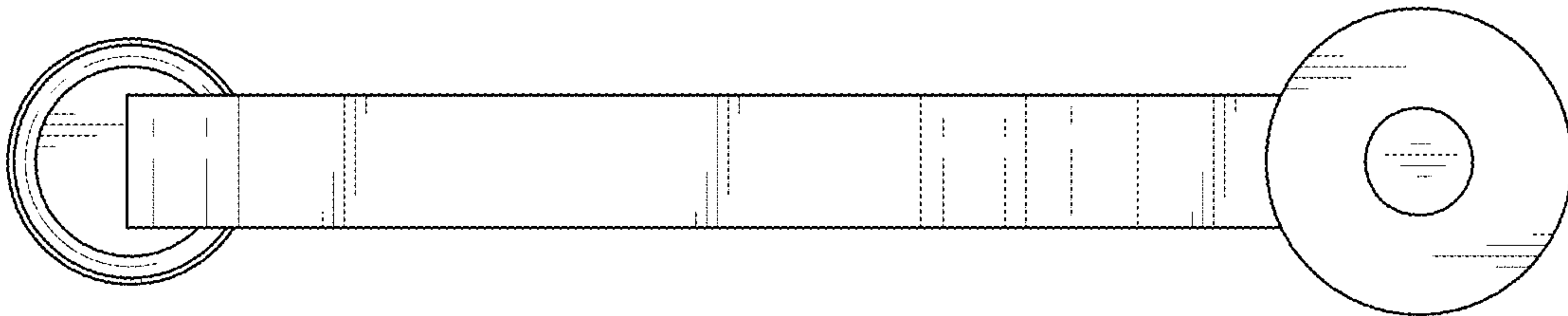


FIG. 7