



US00D910550S

(12) **United States Design Patent** (10) **Patent No.:** **US D910,550 S**
Bell et al. (45) **Date of Patent:** **** Feb. 16, 2021**

(54) **BATTERY CHARGING DEVICE**
(71) Applicant: **Furrion Property Holding Limited**,
Hong Kong (HK)
(72) Inventors: **Steven Neill Bell**, Hong Kong (HK);
Matthew David Fidler, Hong Kong
(HK); **Bernard San Lap Lo**, Hong
Kong (HK); **Tsz Shun Jason Wong**,
Hong Kong (HK)
(73) Assignee: **Furrion Property Holding Limited**,
Hong Kong (HK)
(**) Term: **15 Years**
(21) Appl. No.: **29/675,689**
(22) Filed: **Jan. 4, 2019**
(51) **LOC (13) Cl.** **13-02**
(52) **U.S. Cl.**
USPC **D13/107**
(58) **Field of Classification Search**
USPC D13/107-110, 118-119, 184; D14/251,
D14/253, 432, 434
CPC Y02E 60/12; Y02T 90/14; Y02T 90/122;
Y02T 90/128; Y02T 90/163; H02J 7/025;
H02J 7/0042; H02J 7/0044; H02J 7/0045;
H02J 7/0003; H01F 38/14; H01R
13/6675; H01M 2/1022; H01M 2/1055;
H01M 10/44; H01M 10/46; H01M
10/425; B60L 11/182
See application file for complete search history.

D681,548 S * 5/2013 Zhang D13/102
D682,196 S 5/2013 Leung
8,541,985 B1 9/2013 Wong
8,618,772 B2 12/2013 Thomas et al.
8,749,983 B2 6/2014 Vandiver et al.
D722,042 S * 2/2015 Nakamura D14/209.1
D753,059 S 4/2016 Krantz et al.
9,385,351 B2 7/2016 Workman et al.
9,553,481 B2 1/2017 Prommel et al.
(Continued)

FOREIGN PATENT DOCUMENTS

CN 207134825 U 3/2018
CN 207303176 U 5/2018
(Continued)

OTHER PUBLICATIONS

U.S. Appl. No. 29/675,674, filed Jan. 4, 2019, 8 pages.
U.S. Appl. No. 29/675,691, filed Jan. 4, 2019, 7 pages.

Primary Examiner — Nathaniel D. Buckner
(74) *Attorney, Agent, or Firm* — Faegre Drinker Biddle

(57) **CLAIM**

The ornamental design for a battery charging device, as shown and described.

DESCRIPTION

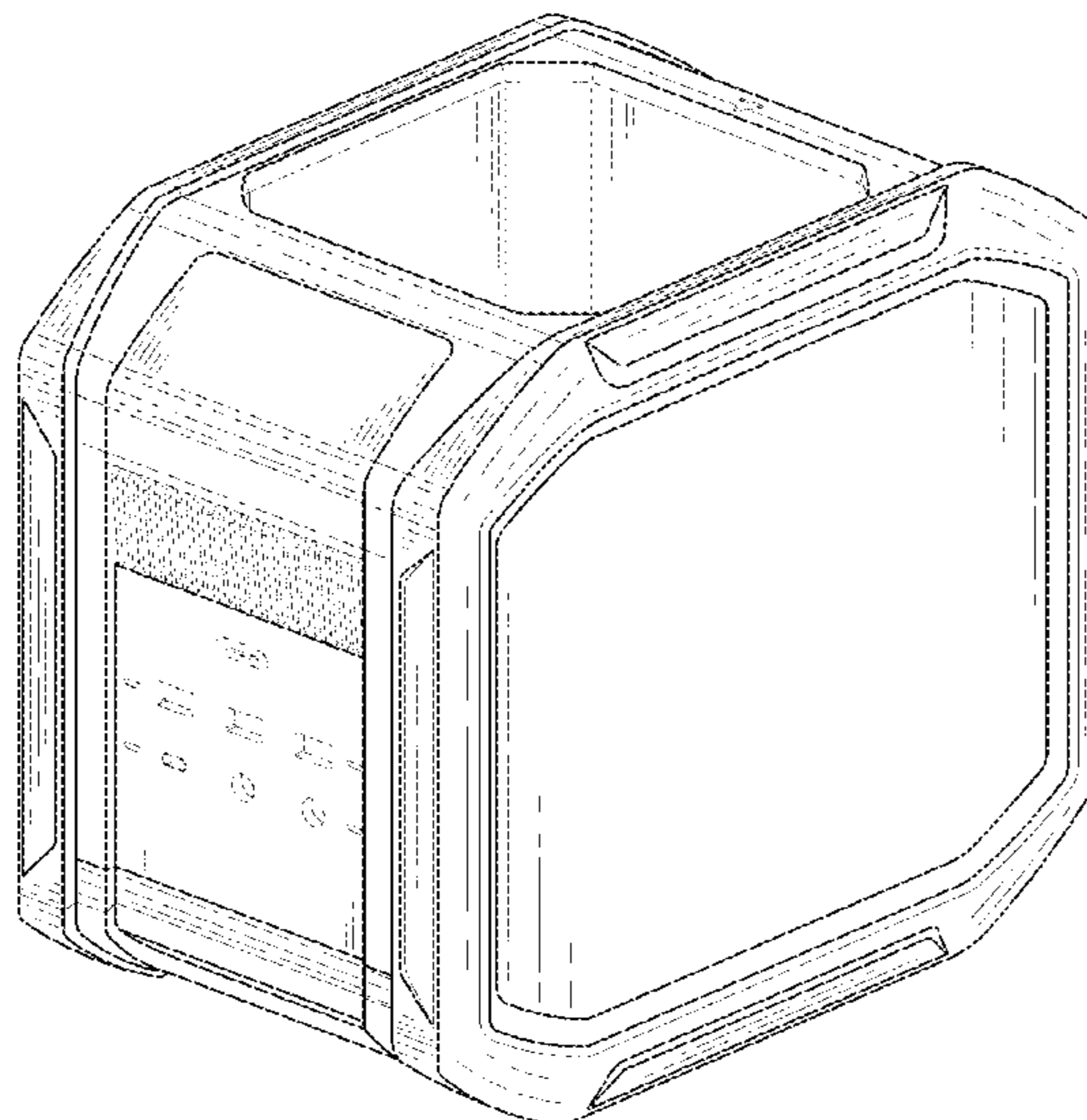
FIG. 1 is a front perspective view of a battery charging device, illustrating our new design;
FIG. 2 is a front elevation view thereof;
FIG. 3 is a rear elevation view thereof;
FIG. 4 is a left side elevation view thereof;
FIG. 5 is a right side elevation view thereof;
FIG. 6 is a top plan view thereof; and,
FIG. 7 is a bottom plan view thereof.
The broken lines in the drawings illustrate portions of the battery charging device that form no part of the claimed design.

1 Claim, 7 Drawing Sheets

(56) **References Cited**

U.S. PATENT DOCUMENTS

D427,970 S * 7/2000 Sage D13/118
D516,099 S * 2/2006 Maruyama D15/83
7,253,585 B2 8/2007 Johnson et al.
7,671,565 B2 3/2010 Straubel et al.
8,093,863 B2 1/2012 Carrier et al.
D674,748 S 1/2013 Ferber et al.



(56)

References Cited

U.S. PATENT DOCUMENTS

9,688,252 B2 6/2017 Gaffoglio et al.
 D806,019 S * 12/2017 Wang D13/107
 9,857,048 B2 1/2018 Workman et al.
 D813,162 S 3/2018 Krantz et al.
 9,923,393 B2 3/2018 Workman et al.
 9,979,215 B2 5/2018 Workman et al.
 D820,197 S 6/2018 Luke et al.
 D820,782 S 6/2018 Wang et al.
 D821,310 S 6/2018 Krantz et al.
 D828,293 S * 9/2018 Li D13/102
 D837,149 S * 1/2019 Yin D13/108
 D845,233 S * 4/2019 Zeng D13/108
 D846,494 S * 4/2019 Takahashi D13/103
 D851,138 S * 6/2019 Murobayashi D15/81
 10,393,415 B1 * 8/2019 Partee H02J 7/35
 10,403,866 B2 * 9/2019 Vasefi H01M 10/0525
 D874,395 S * 2/2020 Sun D13/107
 2010/0279166 A1 11/2010 Tseng
 2012/0248868 A1 10/2012 Mobin et al.

2013/0043826 A1 2/2013 Workman et al.
 2014/0356667 A1 12/2014 Kim
 2014/0357094 A1 12/2014 Kim
 2017/0047755 A1 2/2017 Workman et al.
 2017/0098805 A1 4/2017 Liu et al.
 2017/0194800 A1 7/2017 Meoli
 2018/0034015 A1 2/2018 Krantz et al.
 2018/0034266 A1 2/2018 Vasefi et al.
 2018/0034267 A1 2/2018 Vasefi et al.
 2018/0238954 A1 8/2018 Robison et al.
 2018/0241236 A1 8/2018 Vasefi et al.

FOREIGN PATENT DOCUMENTS

CN 207304039 U 5/2018
 CN 207304053 U 5/2018
 CN 207304056 U 5/2018
 CN 207339312 U 5/2018
 CN 207339318 U 5/2018
 CN 207339320 U 5/2018
 CN 108258773 A 7/2018

* cited by examiner

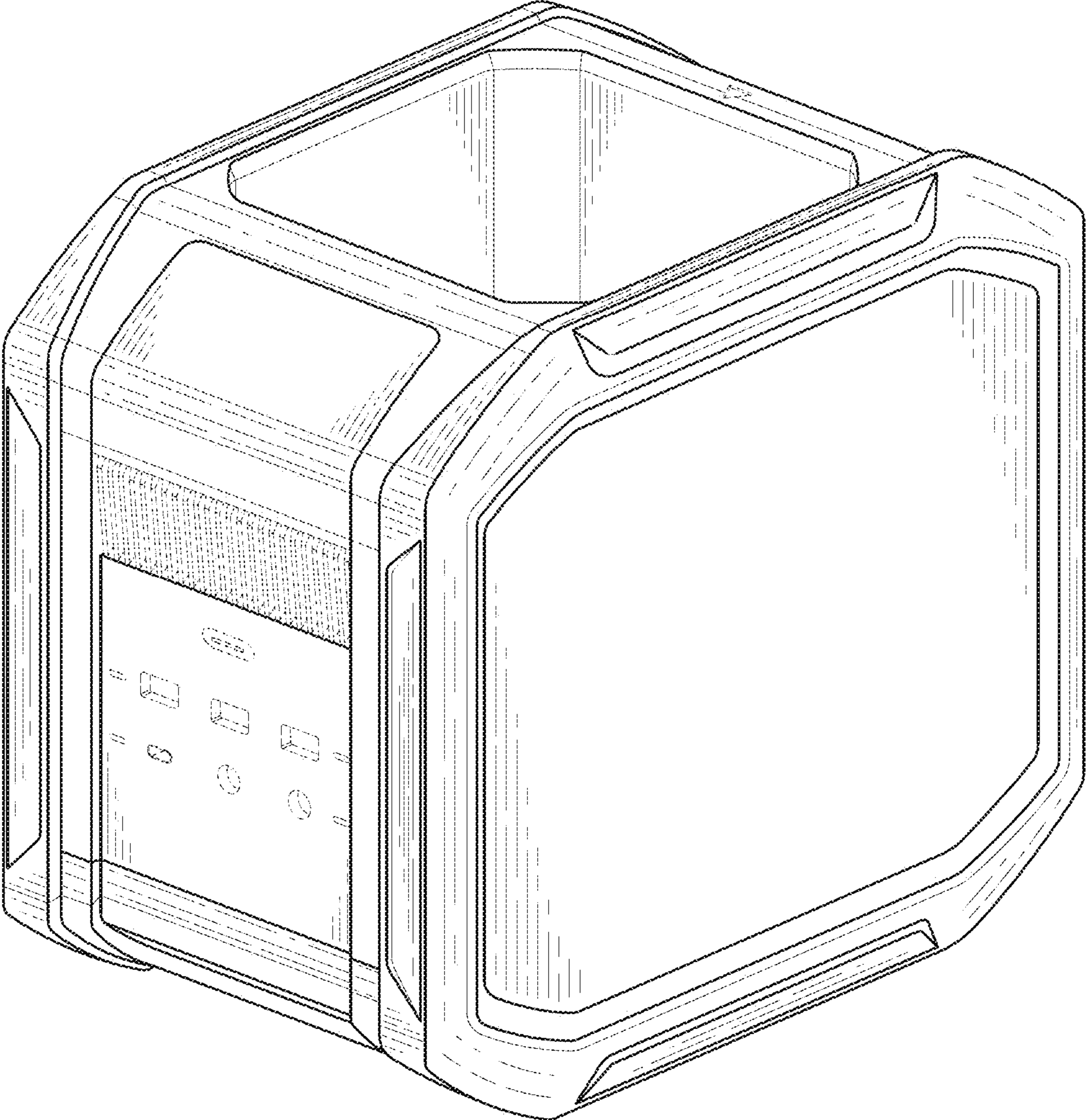


FIG. 1

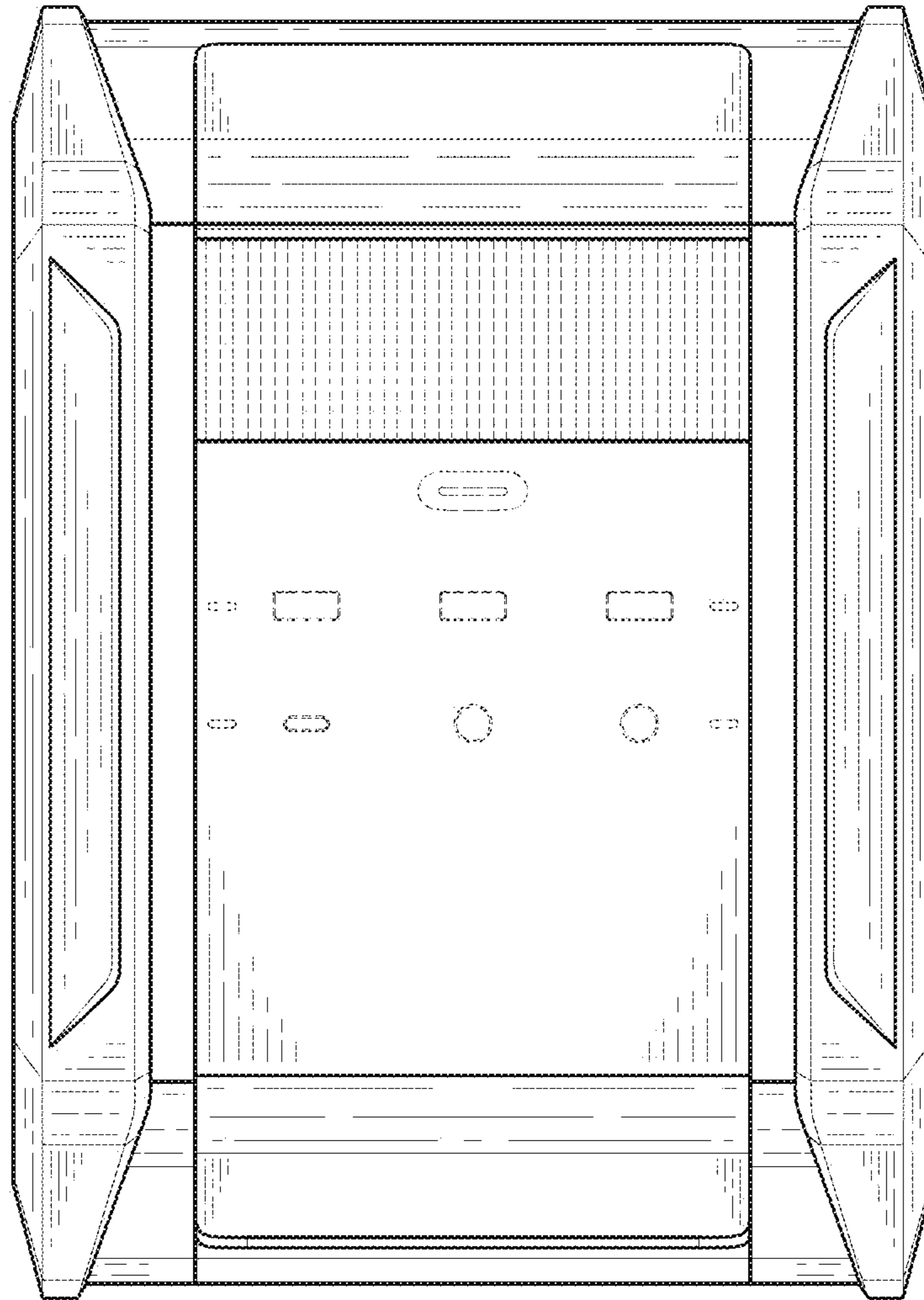


FIG. 2

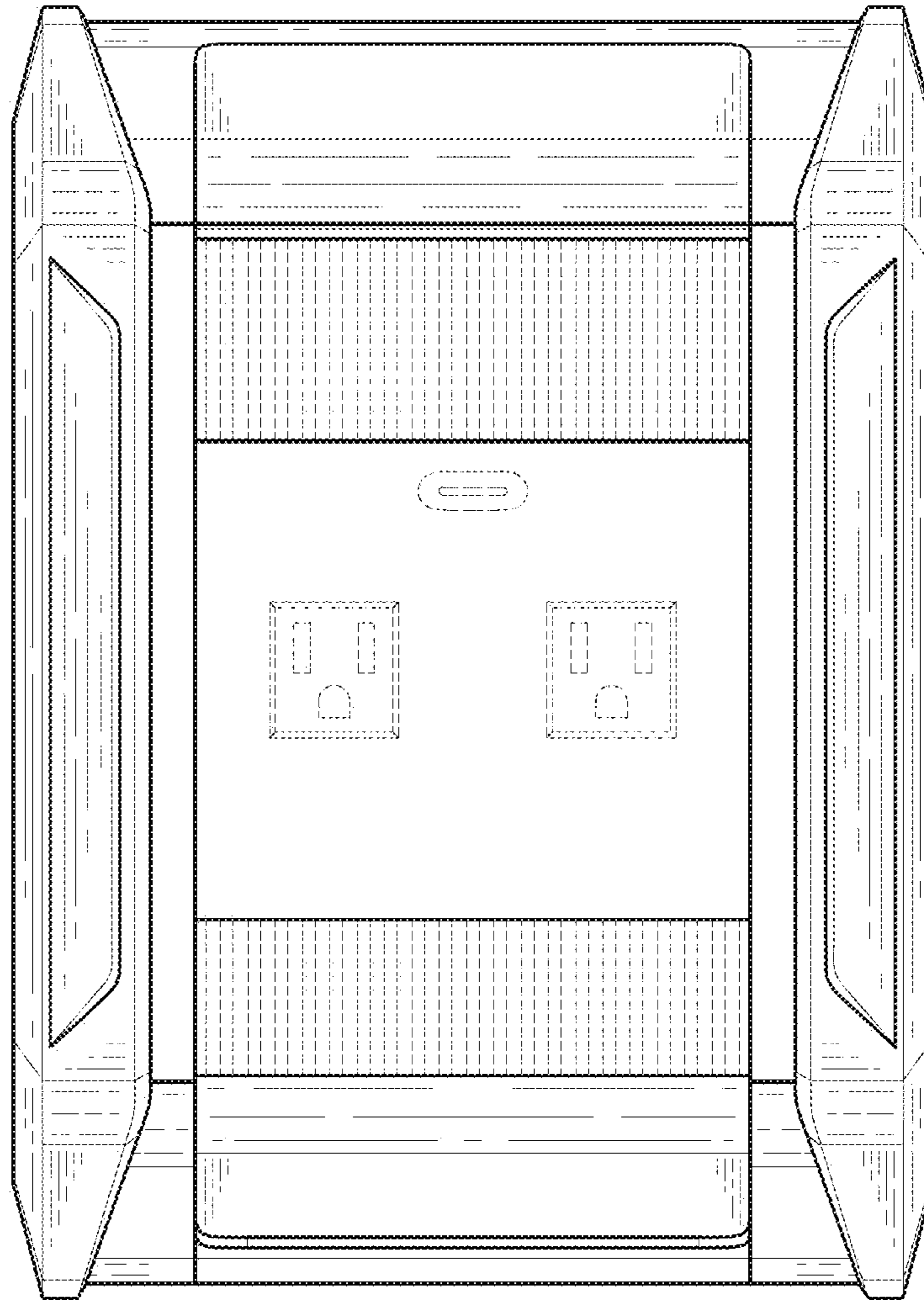


FIG. 3

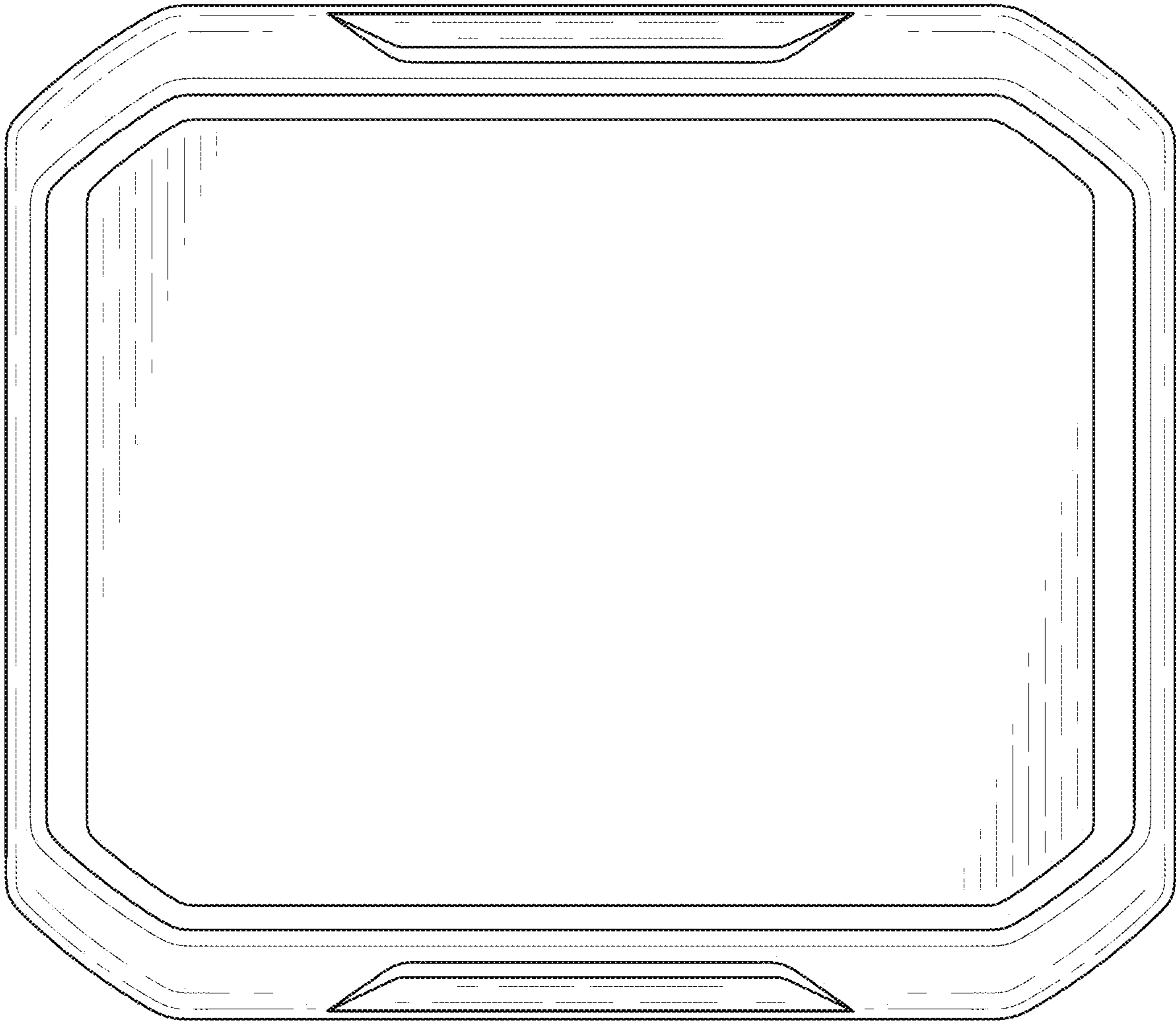


FIG. 4

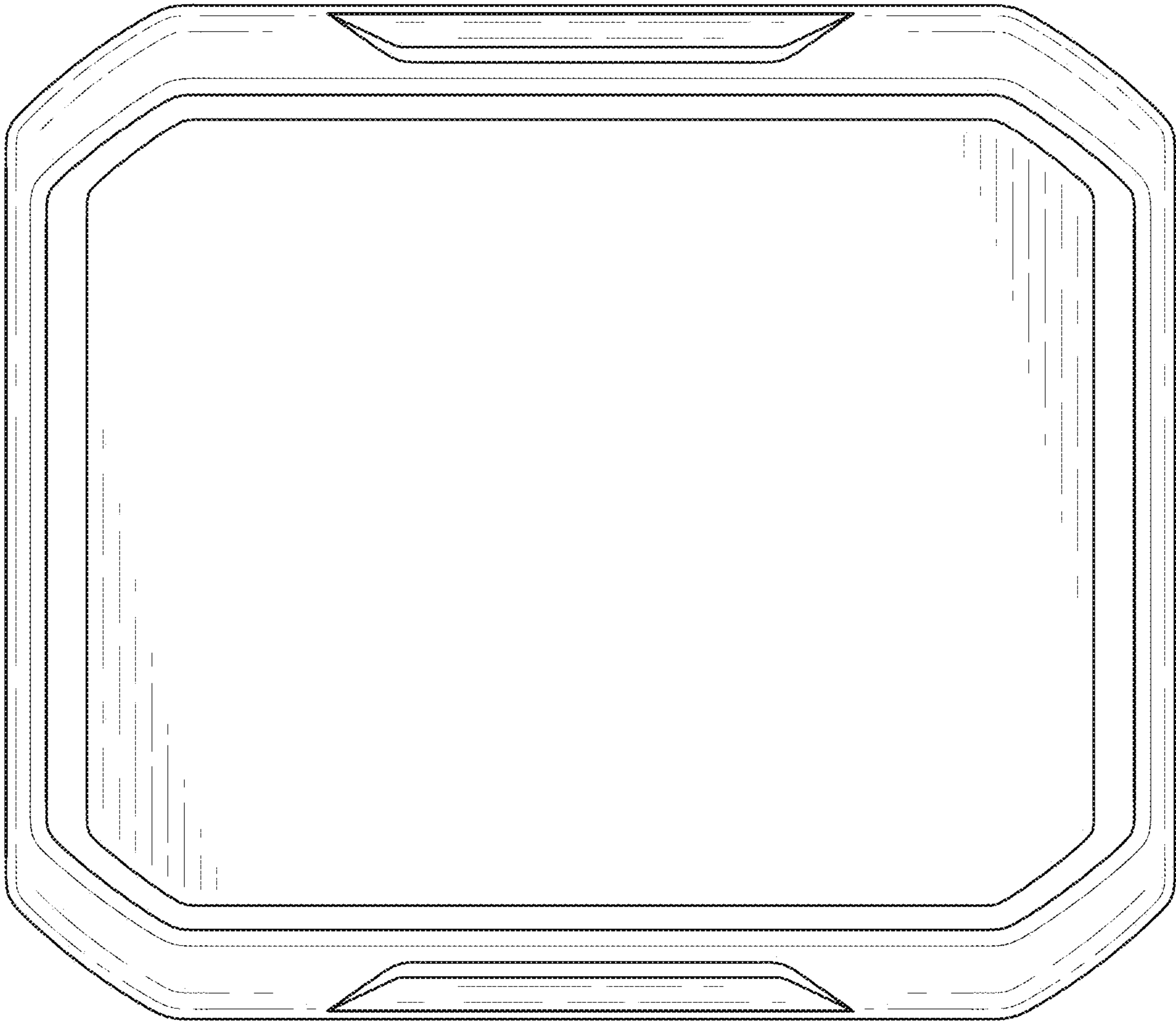


FIG. 5

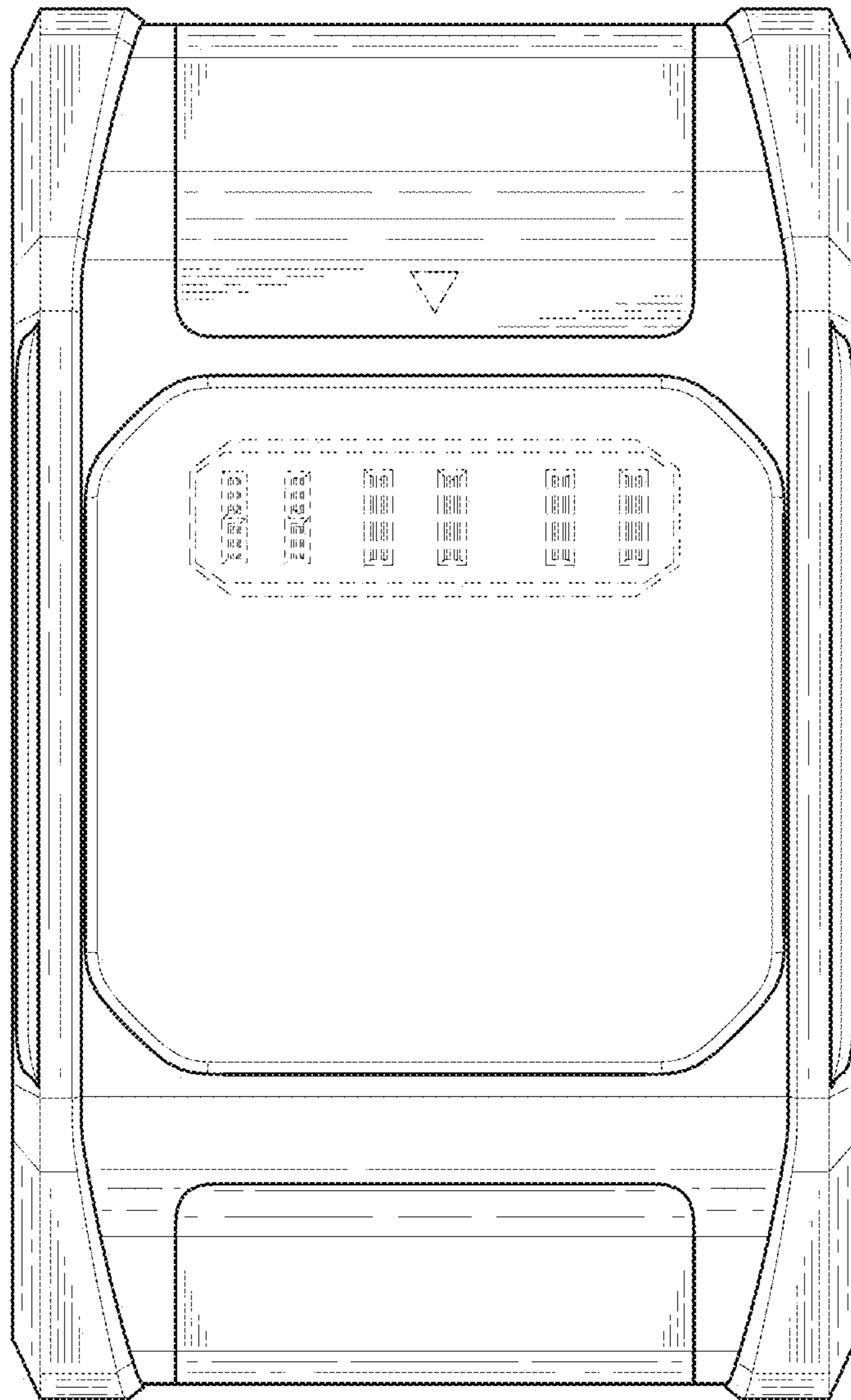


FIG. 6

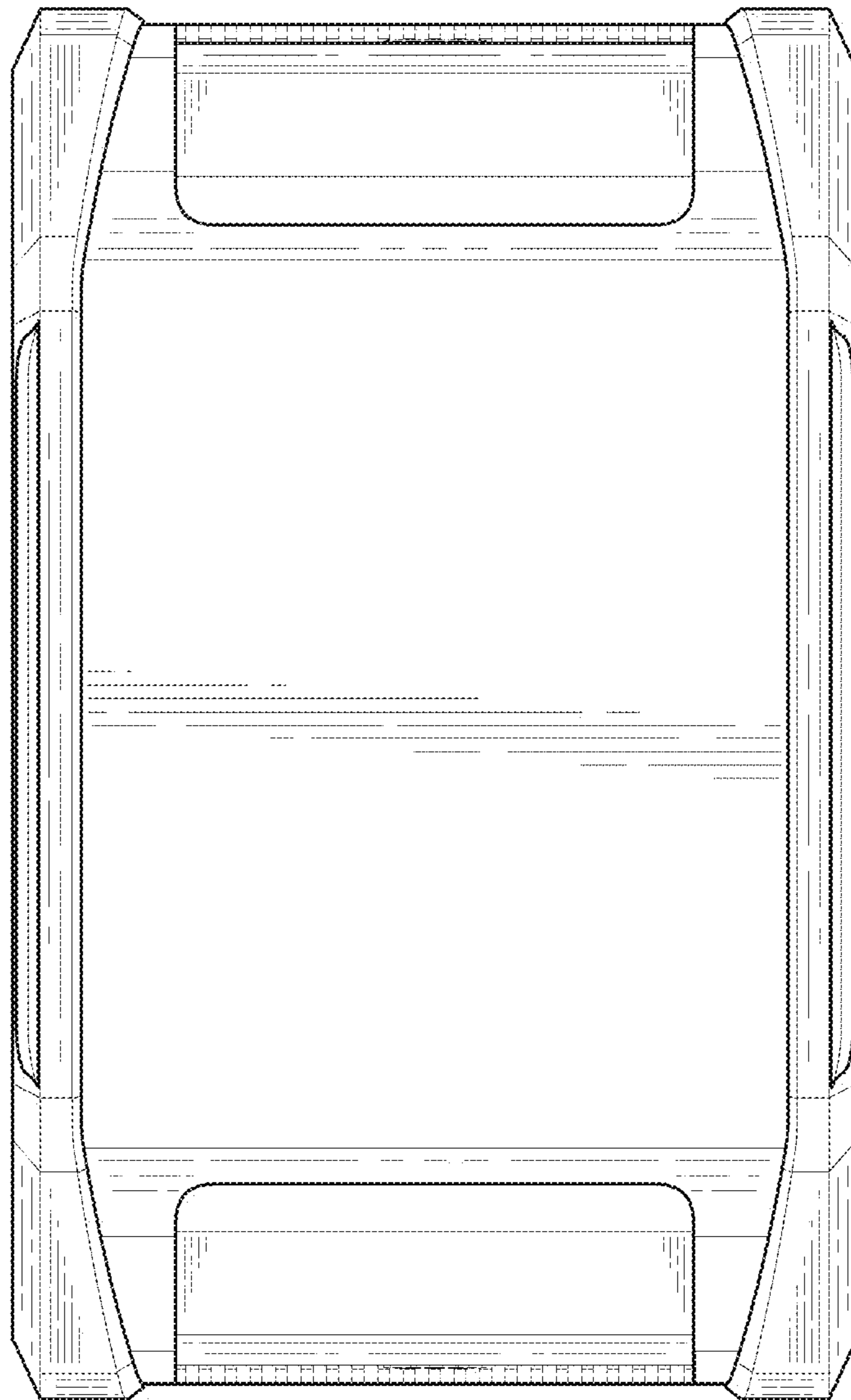


FIG. 7