



US00D910548S

(12) **United States Design Patent**
Dong et al.

(10) **Patent No.:** **US D910,548 S**

(45) **Date of Patent:** **** Feb. 16, 2021**

(54) **BATTERY**

(71) Applicant: **Inventus Power, Inc.**, Woodridge, IL (US)

(72) Inventors: **Qicai Dong**, Dongguan (CN); **Tom Nguyen**, Lombard, IL (US); **William Tenorio**, San Jose, CA (US); **Mike Tomaschek**, St. Charles, IL (US)

(73) Assignee: **Inventus Power, Inc.**, Woodridge, IL (US)

(**) Term: **15 Years**

(21) Appl. No.: **29/743,381**

(22) Filed: **Jul. 21, 2020**

(51) **LOC (13) Cl.** **13-02**

(52) **U.S. Cl.**
USPC **D13/106**

(58) **Field of Classification Search**
USPC D13/103–106, 118–119, 184, 199;
D3/318, 276, 291; D8/315, 316, 319,
D8/320
CPC H01M 10/04; H01M 10/045; H01M 10/06;
H01M 10/08; H01M 10/14; H01M
10/425; H01M 4/14; H01M 4/16; H01M
4/68; H01M 4/685; H01M 4/73; H01M
2/28; H01M 2/30; H01M 2300/0011;
H01M 2004/027; H01M 4/662; A45C
13/26; A45C 13/28; A45C 13/22; A45C
2013/223

See application file for complete search history.

(56) **References Cited**

U.S. PATENT DOCUMENTS

D284,278 S 6/1986 Hennen
4,673,625 A 6/1987 McCartney et al.
4,693,949 A 9/1987 Kellett et al.

D292,576 S * 11/1987 Kump D13/106
D294,484 S * 3/1988 Kellett D13/106
4,752,543 A * 6/1988 Anderson H01M 2/043
429/179
D299,639 S 1/1989 Anderson et al.
D303,652 S 9/1989 Lopez-Doriga Lopez-Doriga
D310,821 S 9/1990 Hulsebus et al.
5,144,719 A * 9/1992 Arthur H01M 2/1005
16/423
5,232,796 A 8/1993 Baumgartner
(Continued)

FOREIGN PATENT DOCUMENTS

WO D017460-001-2 10/1990
WO D029942-001 8/1994

(Continued)

Primary Examiner — Rosemary K Tarcza

(74) *Attorney, Agent, or Firm* — Banner & Witcoff, Ltd.

(57) **CLAIM**

The ornamental design for a battery, as shown and described.

DESCRIPTION

FIG. 1 is a top, front, right perspective view of the claimed design for a battery;

FIG. 2 is a front view thereof;

FIG. 3 is a rear view thereof;

FIG. 4 is a left side view thereof;

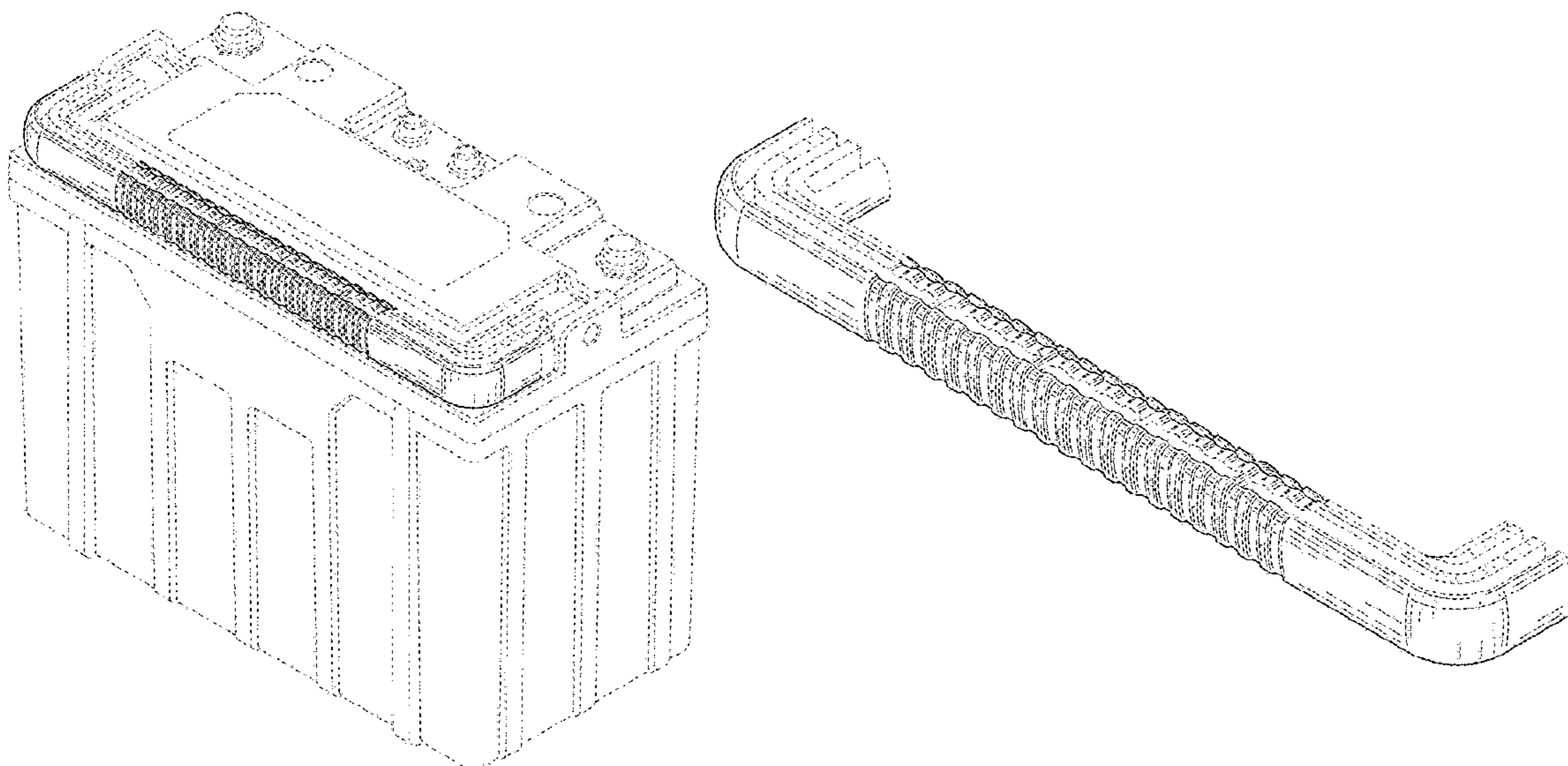
FIG. 5 is a right side view thereof;

FIG. 6 is a top view thereof; and,

FIG. 7 is an enlarged fragmentary view of FIG. 1, wherein some broken line subject matter is omitted to enhance clarity.

The broken lines immediately adjacent to the shaded area depict boundaries of the claimed design and form no part thereof. The broken lines showing the remainder of the battery depict environmental structure and form no part of the claimed design. Portions of the battery not shown in the drawing form no part of the claimed design.

1 Claim, 6 Drawing Sheets



(56)

References Cited

U.S. PATENT DOCUMENTS

D352,498 S * 11/1994 Beidler D13/104
 D401,551 S 11/1998 Kim
 6,022,638 A 2/2000 Horton et al.
 D458,900 S 6/2002 Carter et al.
 6,499,190 B2 * 12/2002 Ruiz Rodriguez . H01M 2/1005
 16/423
 D504,773 S * 5/2005 Lu D3/318
 D531,956 S * 11/2006 Krieger D13/107
 D532,364 S * 11/2006 Krieger D13/107
 D571,184 S * 6/2008 Ricereto D8/316
 D606,839 S * 12/2009 Urquiola D8/316
 D626,748 S * 11/2010 Chang D3/318
 D633,865 S 3/2011 Qualls et al.
 D639,054 S * 6/2011 Fraiman D3/276
 D643,810 S 8/2011 Qualls et al.
 D643,811 S 8/2011 Qualls et al.
 D647,051 S 10/2011 Qualls et al.
 D647,052 S 10/2011 Qualls et al.
 D660,790 S 5/2012 Elison et al.
 D662,046 S 6/2012 Unger et al.
 D665,343 S 8/2012 Qualls, Jr. et al.
 D668,604 S 10/2012 Elison et al.

D674,747 S * 1/2013 Nierescher D13/106
 D675,562 S 2/2013 Qualls et al.
 D692,373 S 10/2013 Touhy et al.
 D693,293 S 11/2013 Tang
 D714,063 S * 9/2014 Ke D3/318
 D726,108 S * 4/2015 Medeiros D13/119
 D733,048 S * 6/2015 Inskeep D13/107
 D741,262 S * 10/2015 Medeiros D13/119
 D755,715 S * 5/2016 Inskeep D13/107
 D758,303 S * 6/2016 Walker D13/103
 D810,544 S * 2/2018 Milton D8/315
 D834,318 S * 11/2018 Lai D3/318
 D847,744 S * 5/2019 Elison D13/118
 D848,147 S * 5/2019 Chen D3/276
 10,431,780 B2 10/2019 Elison et al.
 D868,686 S * 12/2019 Zhong D13/107
 10,573,857 B2 * 2/2020 Choi H01M 2/1005
 D879,583 S * 3/2020 Bunn D8/316

FOREIGN PATENT DOCUMENTS

WO D031400-001-2 1/1995
 WO D101797-001-6 7/2018

* cited by examiner

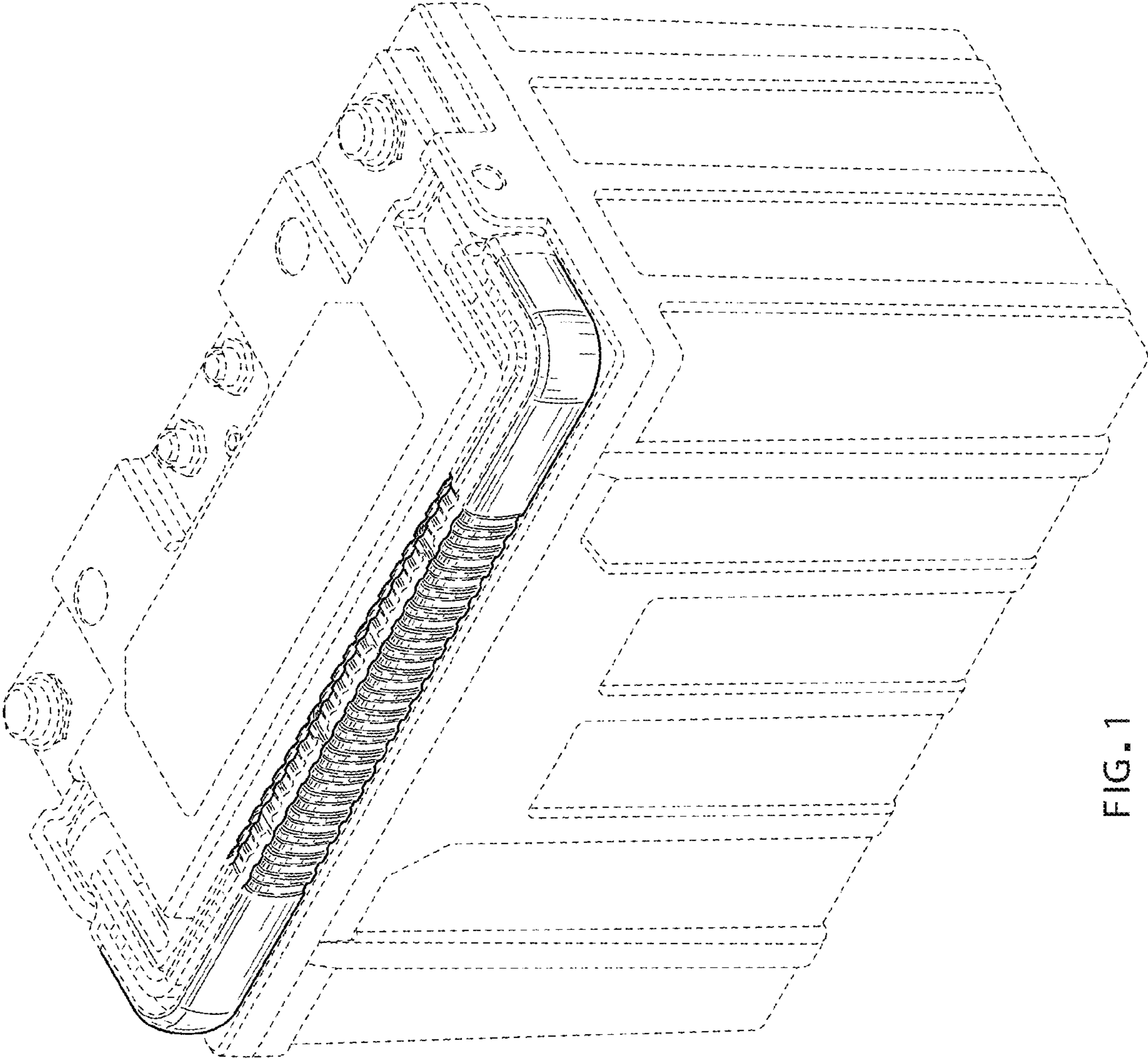


FIG. 1

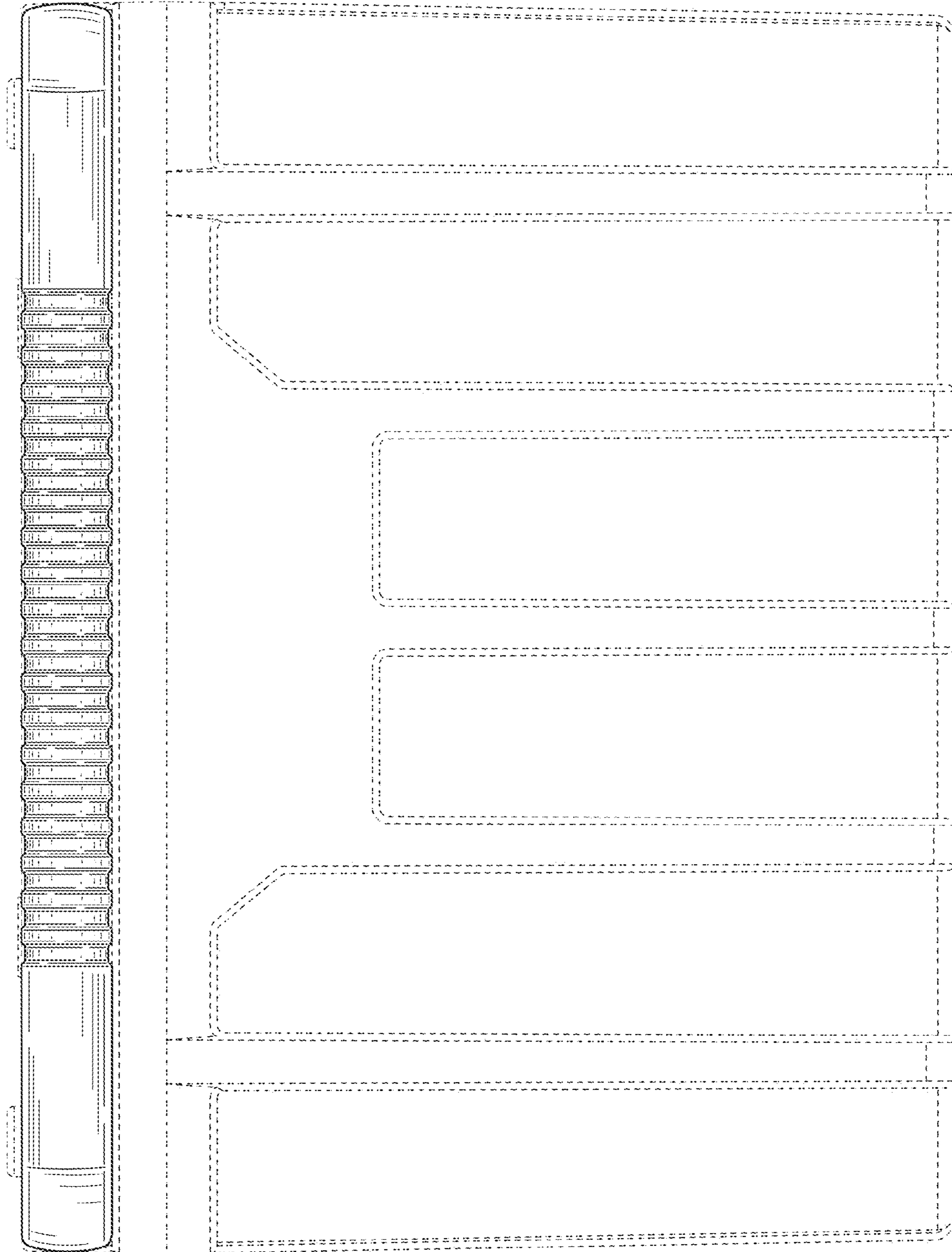


FIG. 2

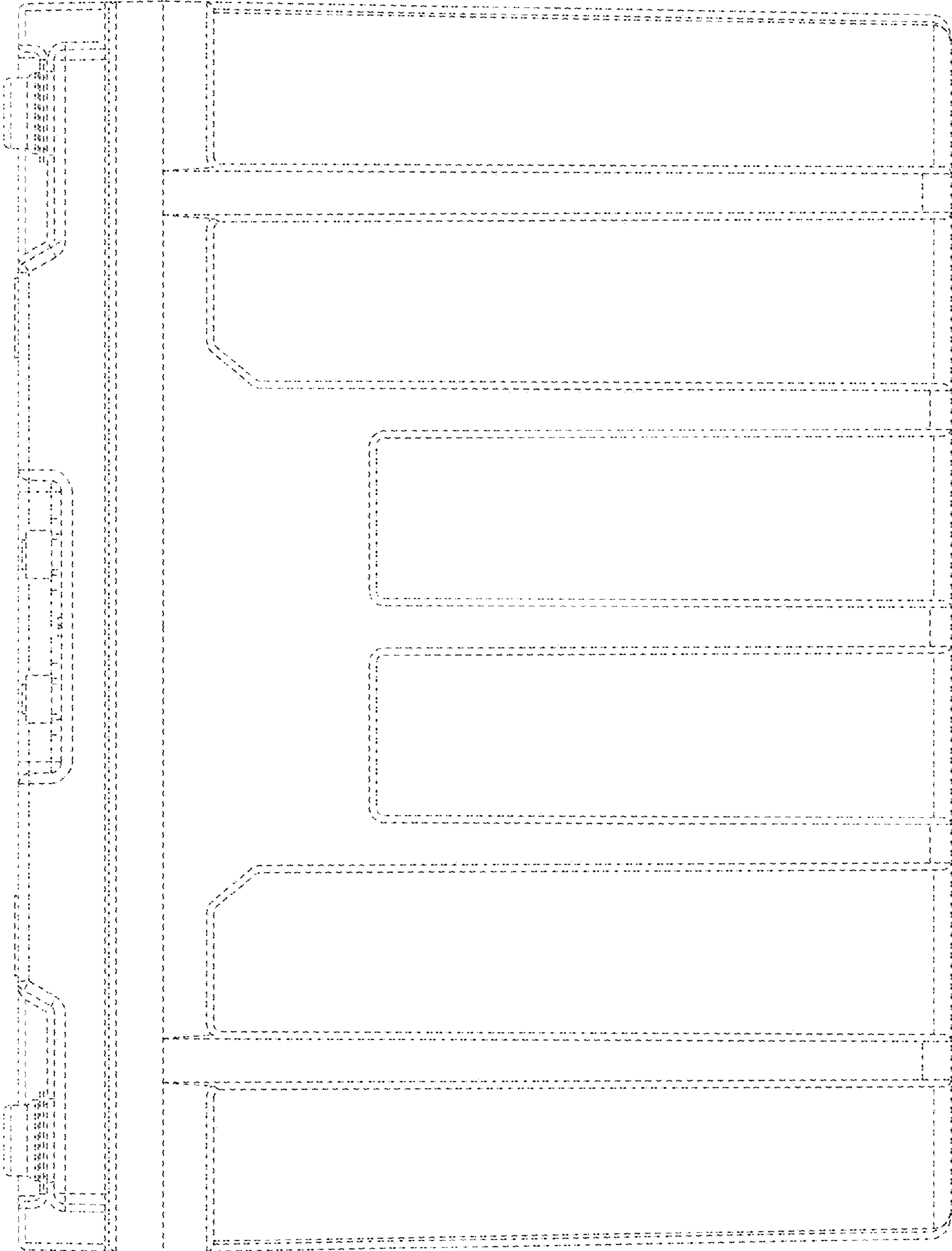


FIG. 3

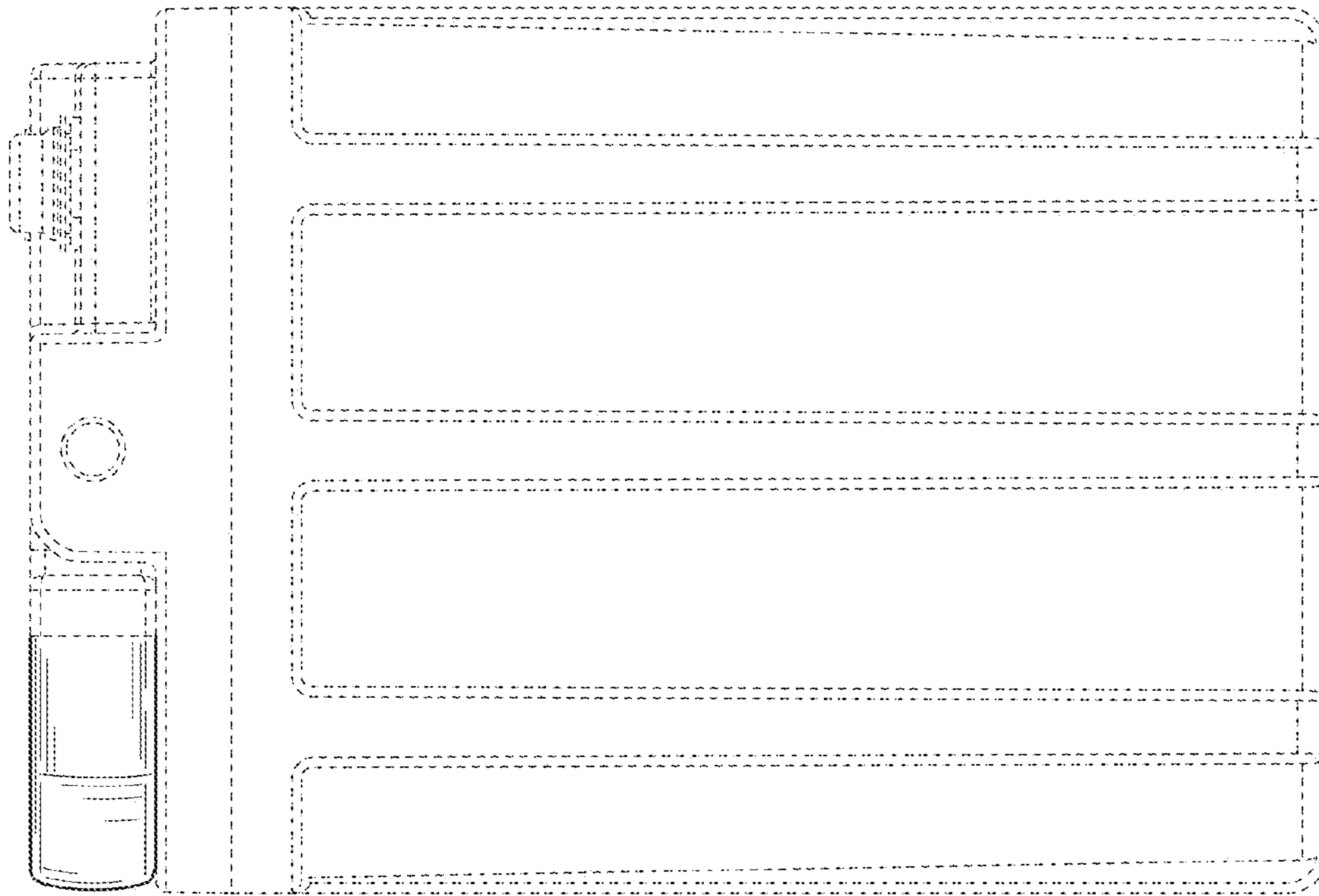


FIG. 5

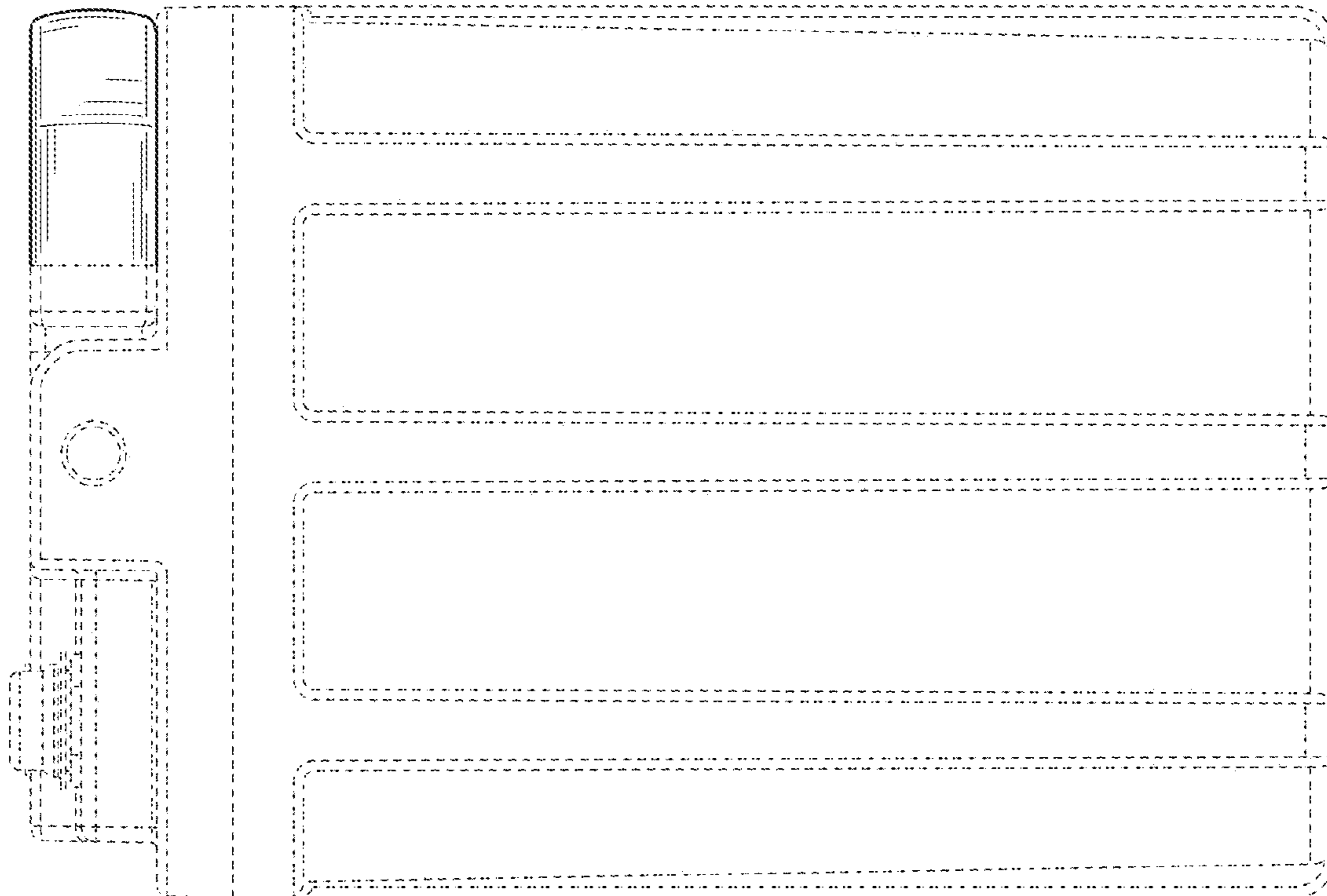


FIG. 4

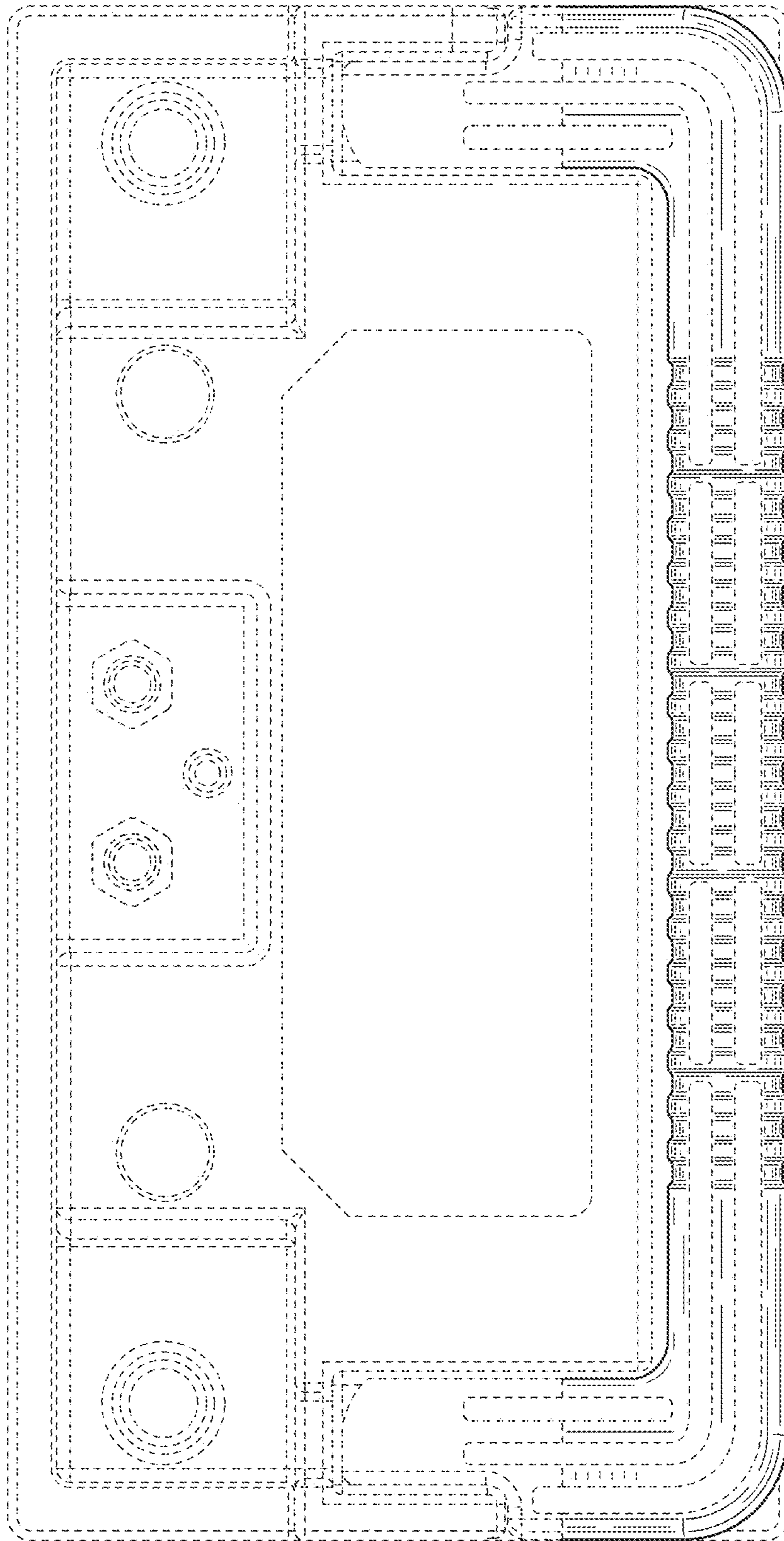


FIG. 6

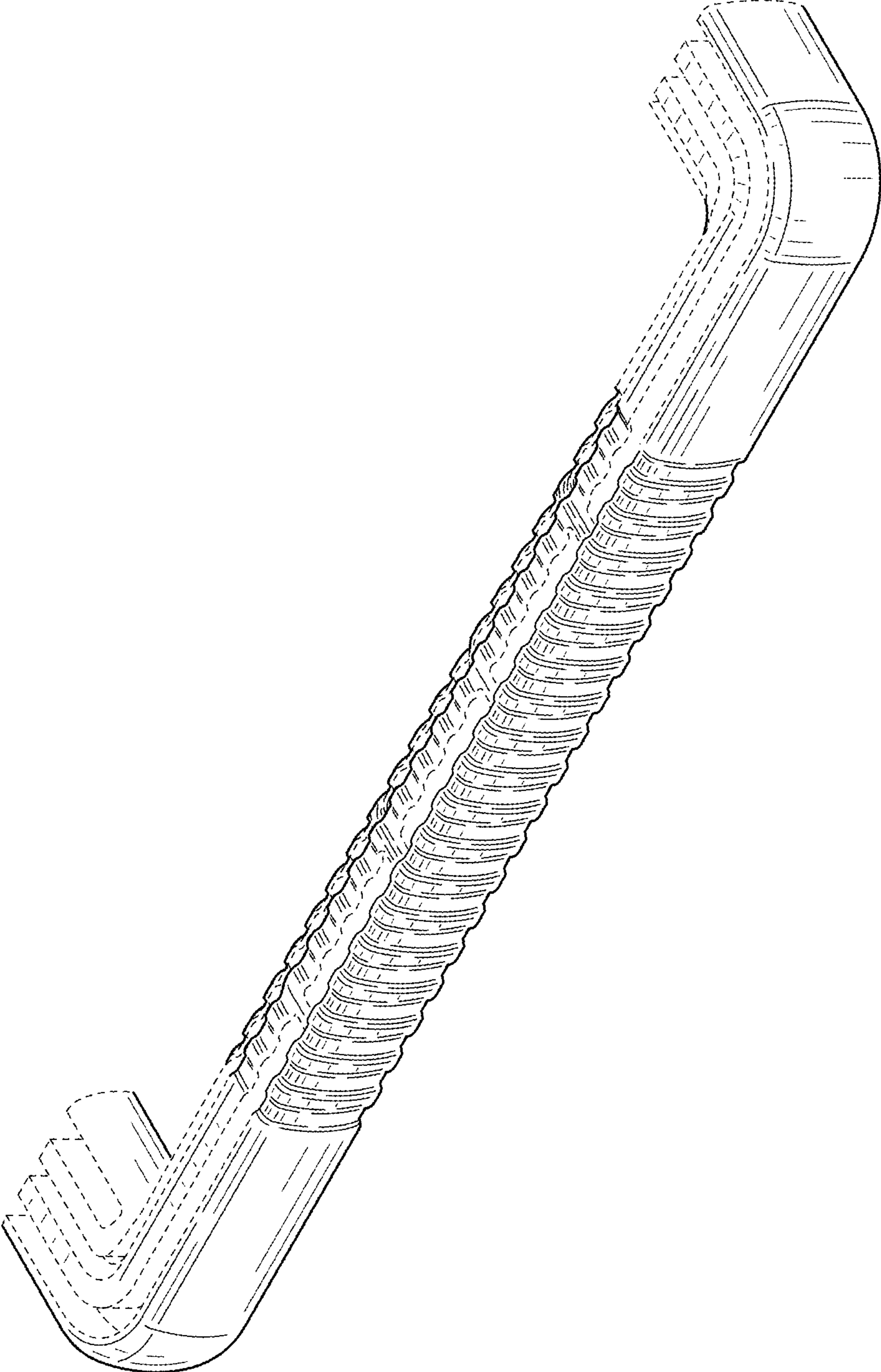


FIG. 7