



US00D910547S

(12) **United States Design Patent** (10) **Patent No.:** **US D910,547 S**  
**Dong et al.** (45) **Date of Patent:** **\*\* Feb. 16, 2021**

(54) **BATTERY**  
(71) Applicant: **Inventus Power, Inc.**, Woodridge, IL (US)  
(72) Inventors: **Qicai Dong**, Dongguan (CN); **Tom Nguyen**, Lombard, IL (US); **William Tenorio**, San Jose, CA (US); **Mike Tomaschek**, St. Charles, IL (US)  
(73) Assignee: **Inventus Power, Inc.**, Woodridge, IL (US)

D284,463 S 7/1986 Perkins et al.  
D284,755 S 7/1986 Hennen  
4,673,625 A 6/1987 McCartney et al.  
4,693,949 A 9/1987 Kellett et al.  
D292,576 S \* 11/1987 Kump ..... D13/106  
D294,484 S \* 3/1988 Kellett ..... D13/106  
4,752,543 A \* 6/1988 Anderson ..... H01M 2/043  
429/179  
D299,639 S 1/1989 Anderson et al.  
D303,652 S 9/1989 Lopez-Doriga  
D303,653 S 9/1989 Lopez-Doriga  
D310,821 S 9/1990 Hulsebus et al.

(Continued)

(\*\*) Term: **15 Years**

FOREIGN PATENT DOCUMENTS

(21) Appl. No.: **29/743,360**

WO D017460-001-2 8/1990  
WO D029942-001 6/1994

(22) Filed: **Jul. 21, 2020**

(Continued)

(51) **LOC (13) Cl.** ..... **13-02**

*Primary Examiner* — Rosemary K Tarcza

(52) **U.S. Cl.**

(74) *Attorney, Agent, or Firm* — Banner & Witcoff, Ltd.

USPC ..... **D13/106**

(58) **Field of Classification Search**

(57) **CLAIM**

USPC ..... D13/103–106, 118–119, 184, 199;  
D3/318, 276, 291; D8/315, 316, 319,  
D8/320

The ornamental design for a battery, as shown and described.

CPC .... H01M 10/04; H01M 10/045; H01M 10/06;  
H01M 10/08; H01M 10/14; H01M  
10/425; H01M 4/14; H01M 4/16; H01M  
4/68; H01M 4/685; H01M 4/73; H01M  
2/28; H01M 2/30; H01M 2300/0011;  
H01M 2004/027; H01M 4/662; A45C  
13/26; A45C 13/28; A45C 13/22; A45C  
2013/223

**DESCRIPTION**

See application file for complete search history.

FIG. 1 is a top, front, right perspective view of the claimed design for a battery;  
FIG. 2 is a front view thereof;  
FIG. 3 is a rear view thereof;  
FIG. 4 is a left side view thereof;  
FIG. 5 is a right side view thereof; and,  
FIG. 6 is a top view thereof.

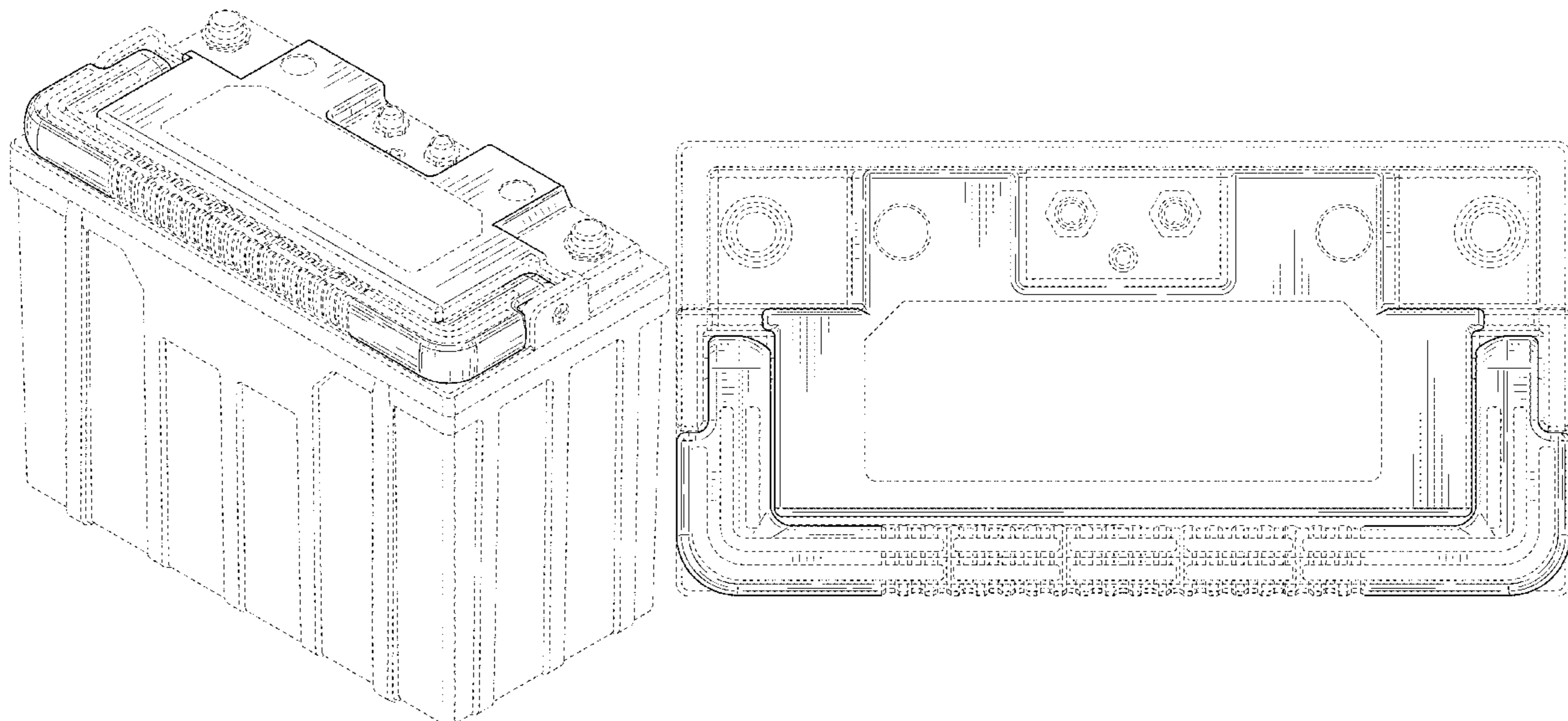
The broken lines immediately adjacent to the shaded area depict boundaries of the claimed design and form no part thereof. The broken lines showing the remainder of the battery depict environmental structure and form no part of the claimed design. Portions of the battery not shown in the drawing form no part of the claimed design.

(56) **References Cited**

U.S. PATENT DOCUMENTS

D197,518 S 2/1964 Rohe  
4,371,591 A 2/1983 Oxenreider et al.  
D284,278 S 6/1986 Hennen

**1 Claim, 5 Drawing Sheets**



(56)

References Cited

U.S. PATENT DOCUMENTS

5,144,719 A \* 9/1992 Arthur ..... H01M 2/1005  
16/423

5,232,796 A 8/1993 Baumgartner

D352,498 S \* 11/1994 Beidler ..... D13/104

D383,434 S 9/1997 Hooke et al.

D401,551 S 11/1998 Kim

D413,859 S 9/1999 Ido et al.

6,022,638 A 2/2000 Horton et al.

D458,900 S 6/2002 Carter et al.

D462,656 S 9/2002 Degen et al.

6,499,190 B2 \* 12/2002 Ruiz Rodriguez . H01M 2/1005  
16/423

D491,138 S 6/2004 Minato

D527,344 S 8/2006 Rajpara et al.

D543,938 S 6/2007 Kawakita et al.

D553,565 S 10/2007 Kawakita et al.

D610,083 S 2/2010 Chen et al.

D633,865 S 3/2011 Qualls et al.

D635,508 S 4/2011 Seyama et al.

D639,054 S \* 6/2011 Fraiman ..... D3/276

D640,191 S 6/2011 Like et al.

D643,810 S 8/2011 Qualls et al.

D643,811 S 8/2011 Qualls et al.

D647,051 S 10/2011 Qualls et al.

D647,052 S 10/2011 Qualls et al.

D658,590 S 5/2012 Jansson

D660,226 S 5/2012 Elison et al.

D660,232 S 5/2012 Elison et al.

D660,790 S 5/2012 Elison et al.

D660,792 S 5/2012 Inskeep

D662,046 S 6/2012 Unger et al.

D665,343 S 8/2012 Qualls, Jr. et al.

D668,604 S 10/2012 Elison et al.

D674,747 S 1/2013 Nierescher et al.

D674,756 S 1/2013 Jansson

D675,562 S 2/2013 Qualls et al.

D687,372 S 8/2013 Tang

D692,373 S 10/2013 Touhy et al.

D693,293 S 11/2013 Tang

D713,333 S 9/2014 Komaki et al.

D719,088 S 12/2014 Koebler

D721,647 S 1/2015 DeKeuster

8,952,653 B2 2/2015 Lee

D726,108 S \* 4/2015 Medeiros ..... D13/119

D731,413 S 6/2015 Ke et al.

D733,048 S 6/2015 Inskeep

D753,586 S 4/2016 Fujimoto et al.

D753,587 S 4/2016 Tanaka

D755,715 S \* 5/2016 Inskeep ..... D13/107

D758,303 S \* 6/2016 Walker ..... D13/103

9,711,778 B2 7/2017 DeKeuster et al.

D806,016 S 12/2017 Villarreal et al.

D807,817 S 1/2018 Walker

D830,965 S 10/2018 Varatharajah et al.

D830,967 S 10/2018 Sugiyama et al.

10,211,434 B2 2/2019 Ichikawa et al.

10,276,847 B2 4/2019 Cho et al.

D848,147 S \* 5/2019 Chen ..... D3/276

10,431,780 B2 10/2019 Elison et al.

10,446,808 B2 10/2019 Elison et al.

D868,686 S \* 12/2019 Zhong ..... D13/107

D869,388 S 12/2019 Varatharajah et al.

D870,033 S 12/2019 Varatharajah et al.

10,573,857 B2 \* 2/2020 Choi ..... H01M 2/1005

2013/0171503 A1 7/2013 Lee

2018/0175464 A1 6/2018 Kim et al.

2020/0036066 A1 1/2020 Cho et al.

2020/0044204 A1 2/2020 Lee et al.

FOREIGN PATENT DOCUMENTS

WO D031400-001-2 11/1994

WO D092406-001 7/2016

WO D101797-001-6 3/2018

\* cited by examiner



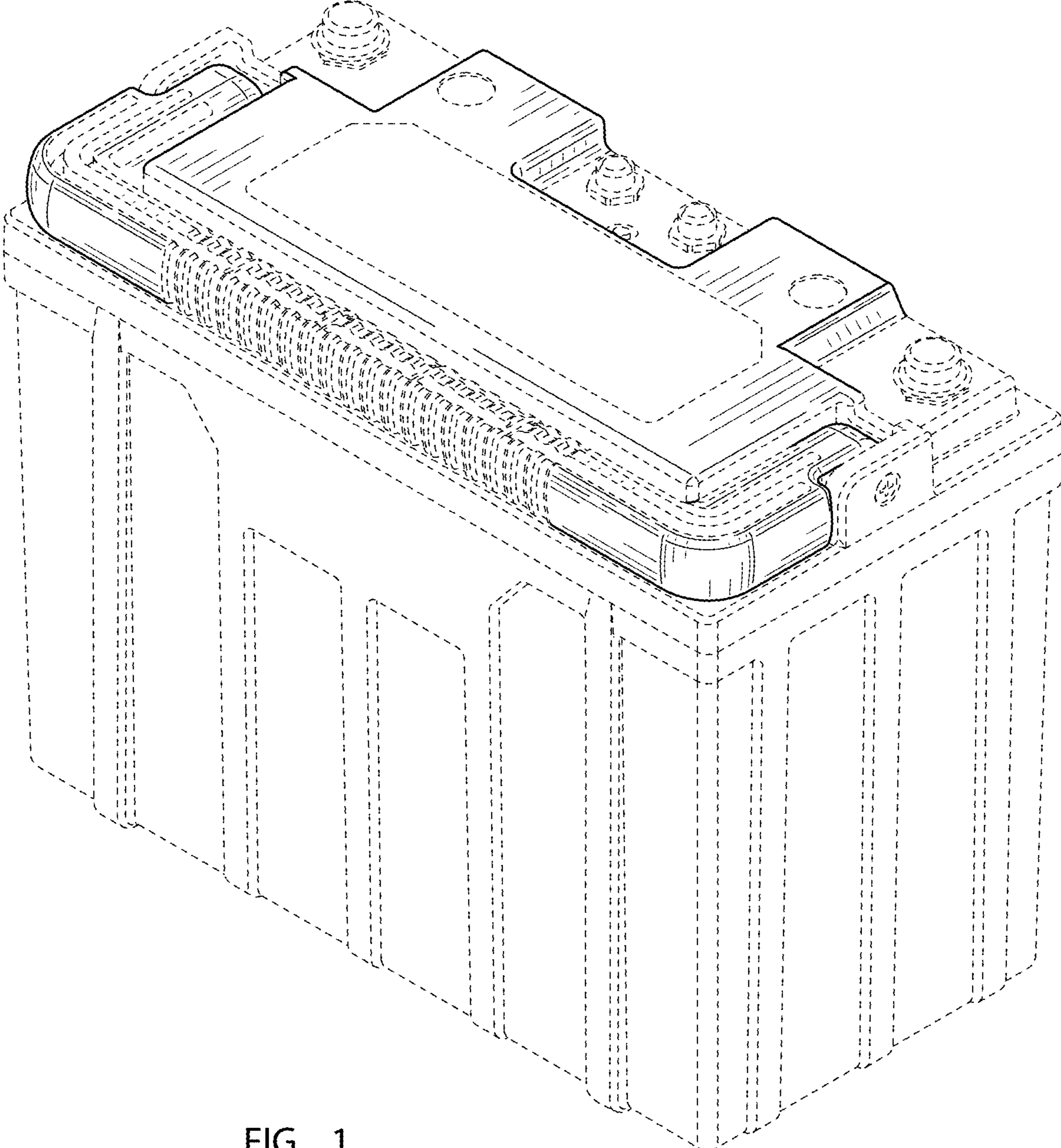


FIG . 1

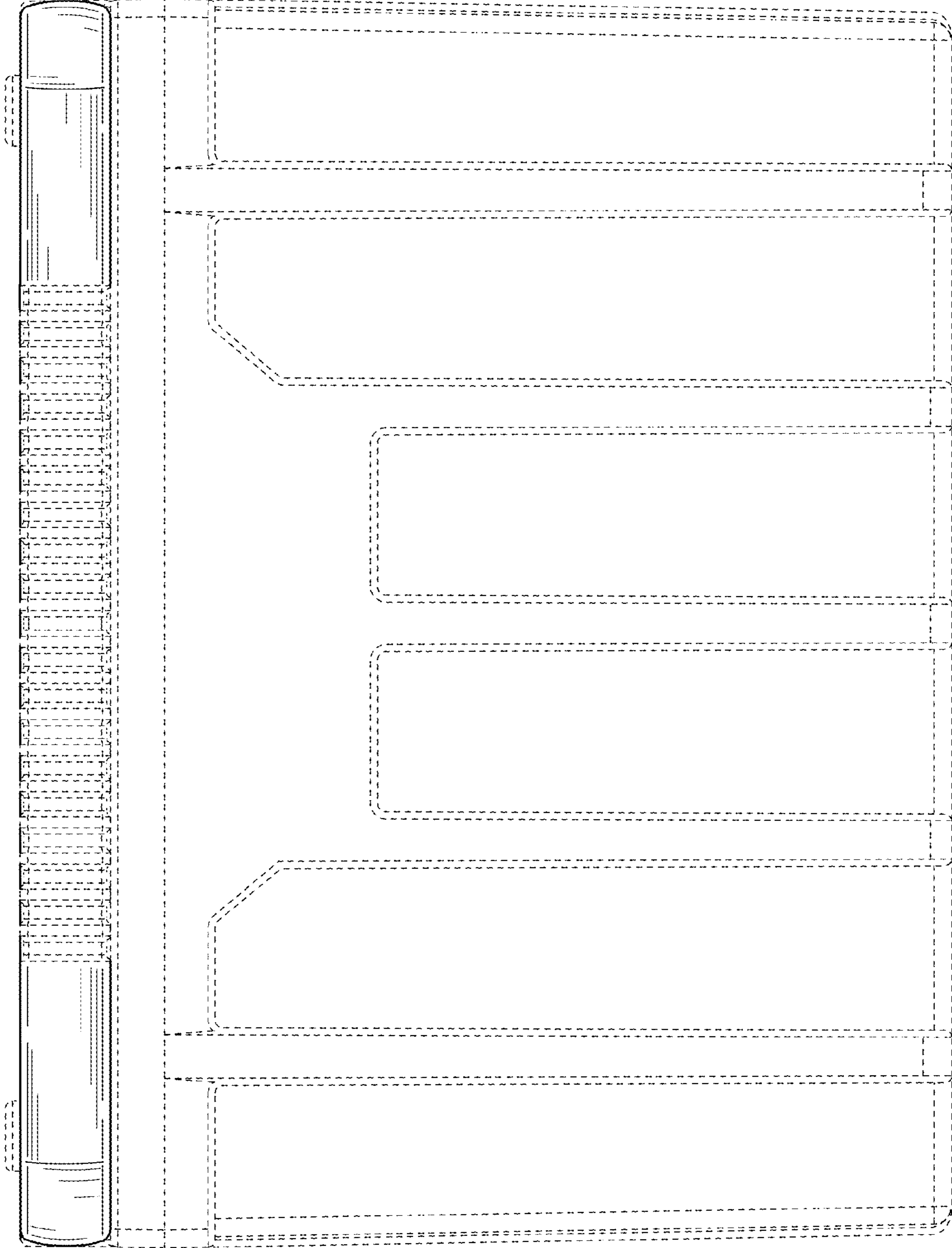


FIG. 2

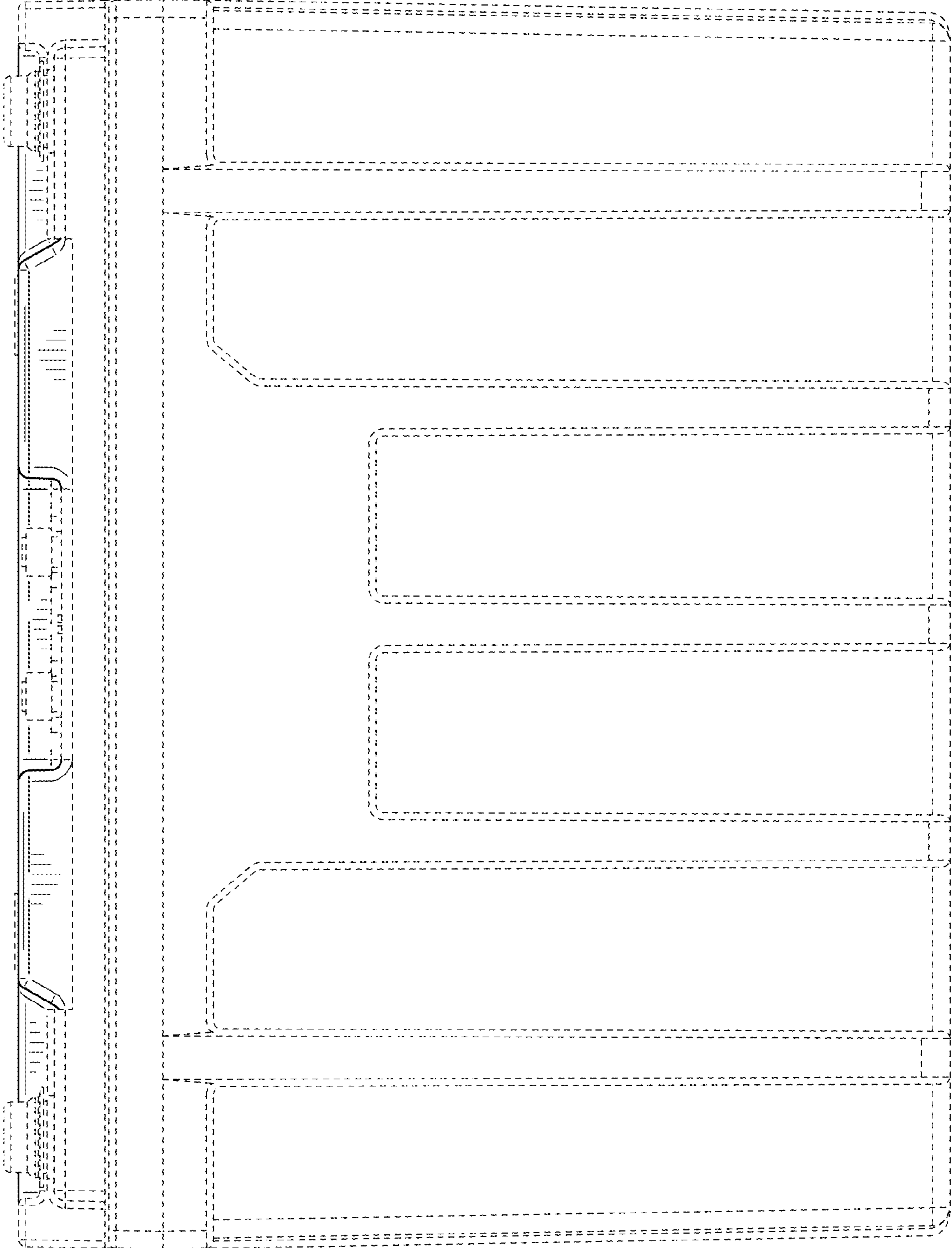


FIG. 3

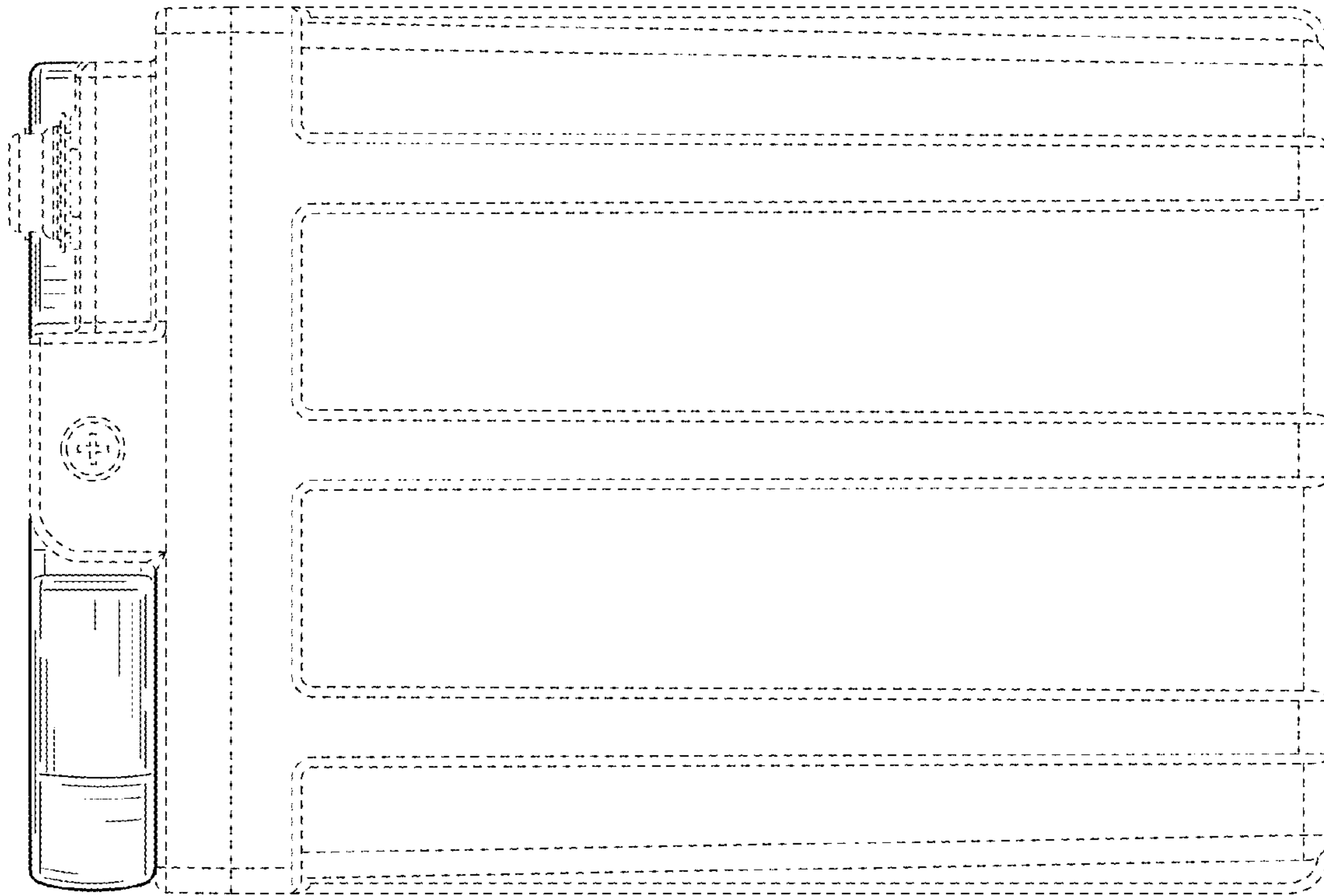


FIG. 5

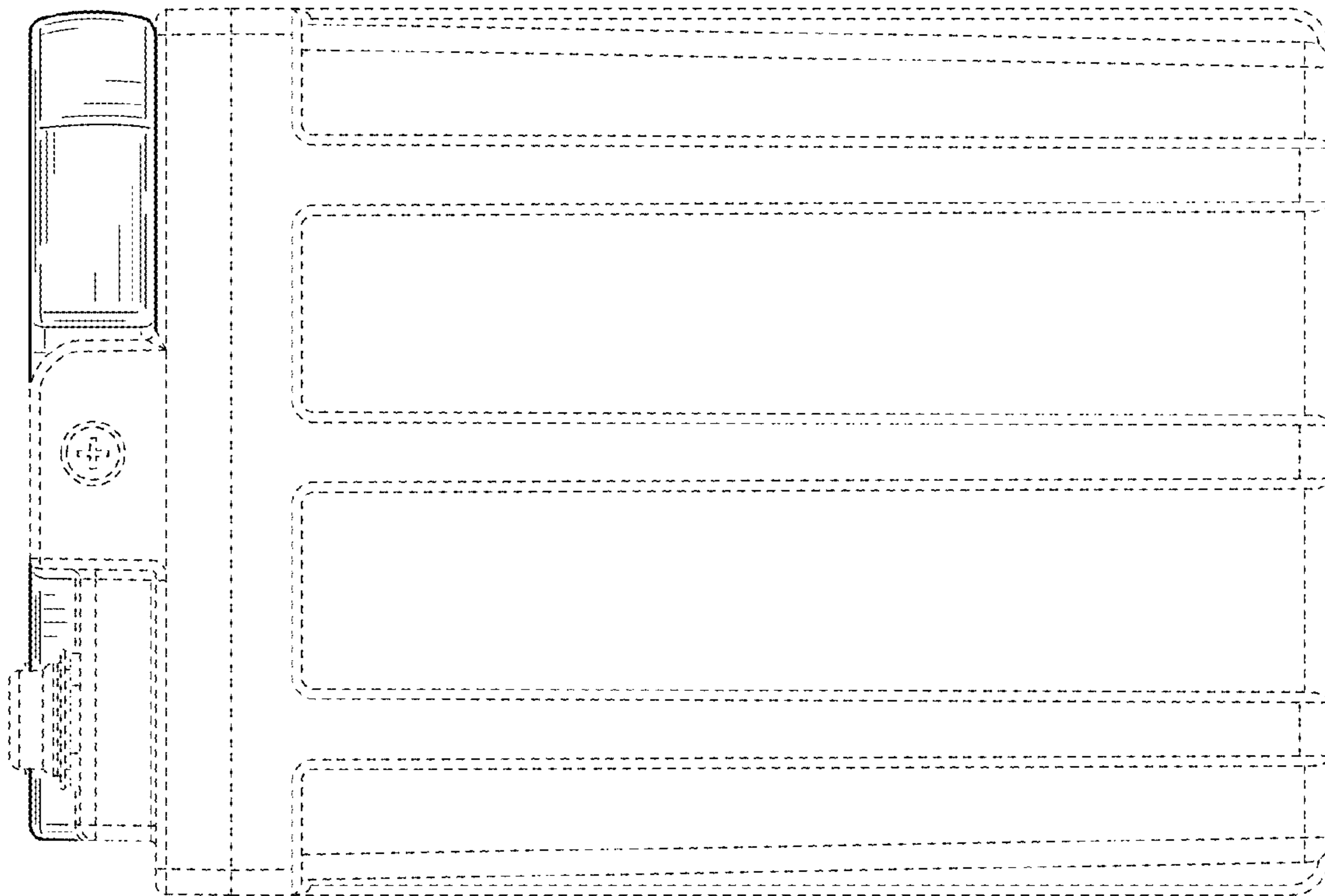


FIG. 4



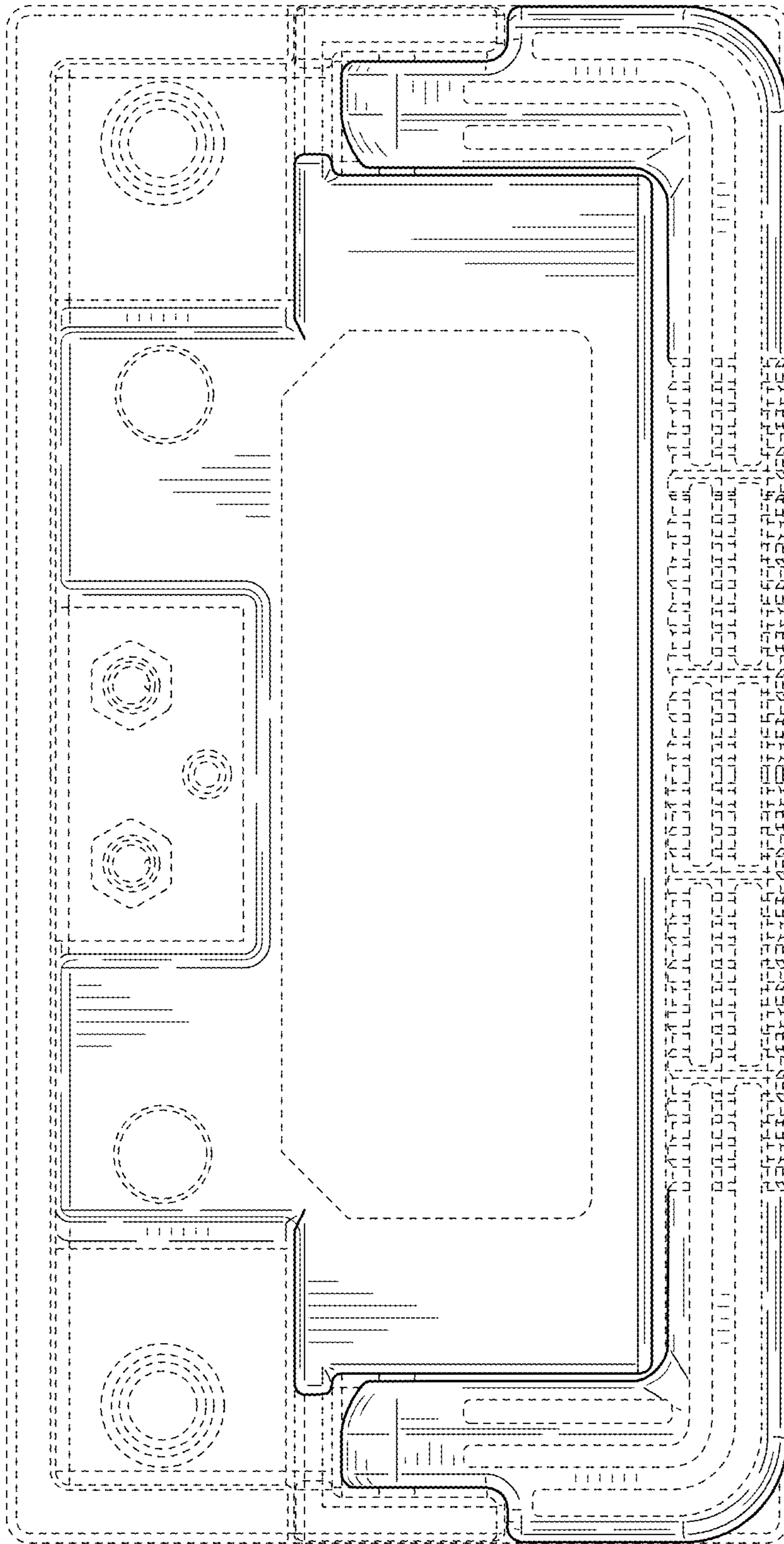


FIG. 6