



US00D910544S

(12) **United States Design Patent** (10) **Patent No.:** **US D910,544 S**
Huang (45) **Date of Patent:** **** Feb. 16, 2021**

(54) **SUPPORT FOR SOLAR PANEL**
(71) Applicant: **Shenzhen Qinyihe Industry Co., Ltd.,**
Shenzhen (CN)

(72) Inventor: **Liugen Huang, Xiangtan (CN)**

(**) Term: **15 Years**

(21) Appl. No.: **29/749,907**

(22) Filed: **Sep. 10, 2020**

(30) **Foreign Application Priority Data**

Aug. 6, 2020 (CN) 202030442785.4

(51) **LOC (13) Cl.** **13-02**

(52) **U.S. Cl.**
USPC **D13/102**

(58) **Field of Classification Search**

USPC D13/102, 101, 103, 110, 107, 108, 199
CPC H01L 31/00; H01L 31/042; H01L 31/045;
H01L 31/048; H01L 31/052; H01L
31/0475; H01L 31/0485; H01M 10/052;
H01M 10/465; H02S 30/10; H02S 30/20;
Y02E 10/47; Y02E 10/50; Y02E 10/52;
Y10S 136/291; Y10S 136/293; H02J
7/35; F24S 25/20; F24S 25/35; F24S
25/63; F24S 25/00

See application file for complete search history.

(56) **References Cited**

U.S. PATENT DOCUMENTS

6,111,189 A * 8/2000 Garvison H02S 40/36
136/244
6,294,724 B1 * 9/2001 Sasaoka H01L 31/048
136/251
6,453,629 B1 * 9/2002 Nakazima H02S 20/25
52/173.3
D653,201 S * 1/2012 Sillett D13/102
D697,864 S * 1/2014 McGrath D13/102
D765,591 S * 9/2016 West D13/102

2011/0198304 A1* 8/2011 Wallgren F24S 25/16
211/41.1
2019/0181801 A1* 6/2019 Weinschenker H02S 30/10
2019/0326851 A1* 10/2019 Wang F24S 25/12

OTHER PUBLICATIONS

<https://www.youtube.com/watch?v=PTdgkFKw72I> ACOPOWER
100W Portable Solar Panel Kit with 20A Charge Controller (Expan-
sion 100W) Jul. 9, 2020 (Year: 2020).*

* cited by examiner

Primary Examiner — Derrick E Holland

(74) *Attorney, Agent, or Firm* — ZANIP

(57) **CLAIM**

The ornamental design for a support for solar panel, as
shown and described.

DESCRIPTION

FIG. 1 is a front and top perspective view of a support for
solar panel, showing my new design;
FIG. 2 is a rear and bottom perspective view thereof;
FIG. 3 is a front elevational view thereof;
FIG. 4 is a rear elevational view thereof;
FIG. 5 is a left side elevational view thereof;
FIG. 6 is a right side elevational view thereof;
FIG. 7 is a top plan view thereof;
FIG. 8 is a bottom plan view thereof;
FIG. 9 is an enlarged view of a portion labeled, 'FIG. 9' in
FIG. 1;
FIG. 10 is an enlarged view of a portion labeled, 'FIG. 10'
in FIG. 1; and,
FIG. 11 is an enlarged view of a portion labeled, 'FIG. 11'
in FIG. 2.

The dash dot dash lines in FIGS. 1, 2, 9, 10 and 11 are for
the purpose of depicting the cut lines of the enlarged views
and form no part of the claim. The dashed broken lines in the
figures illustrate the portions of the support for solar panel
that form no part of the claimed design.

1 Claim, 11 Drawing Sheets

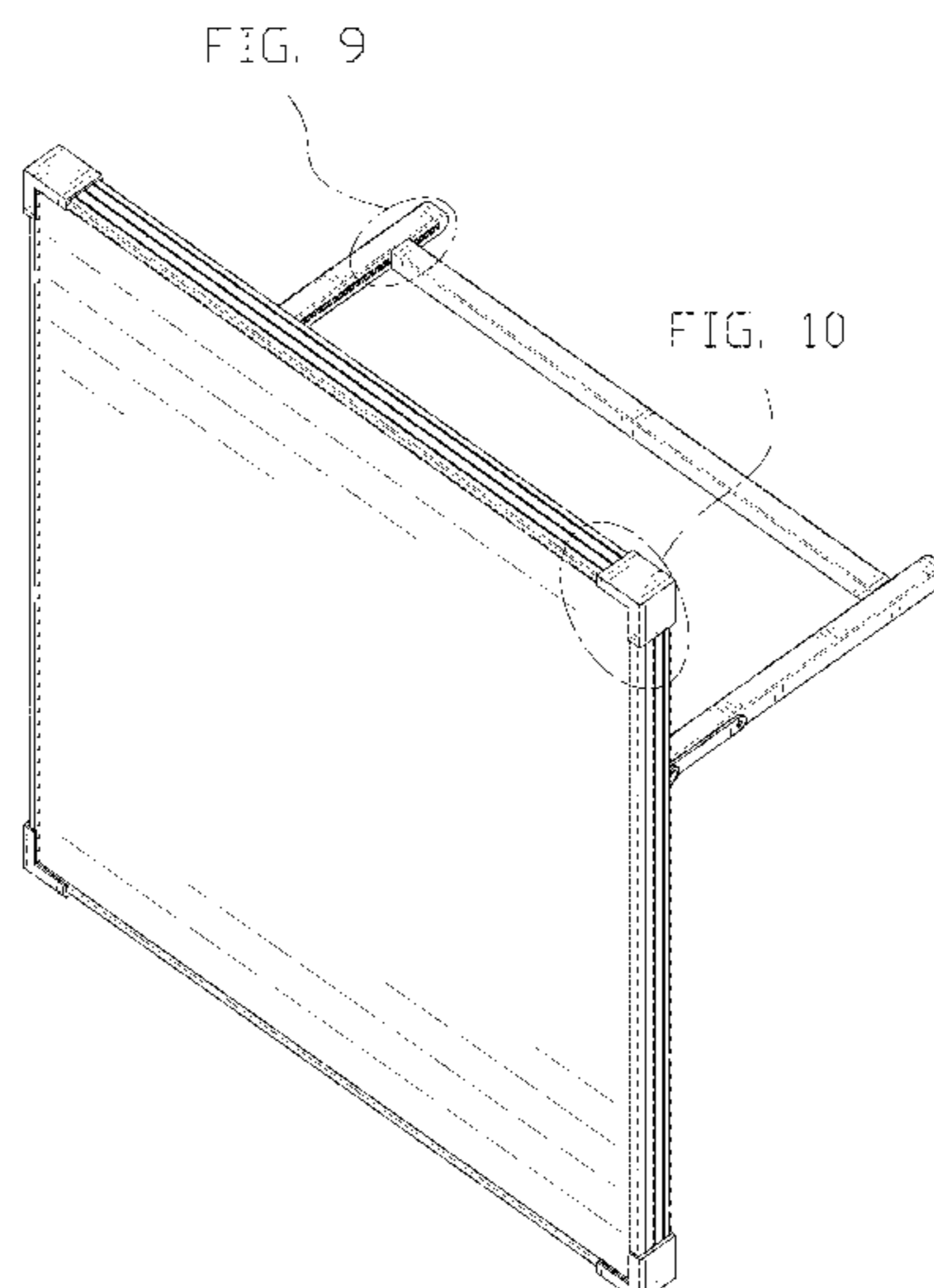


FIG. 9

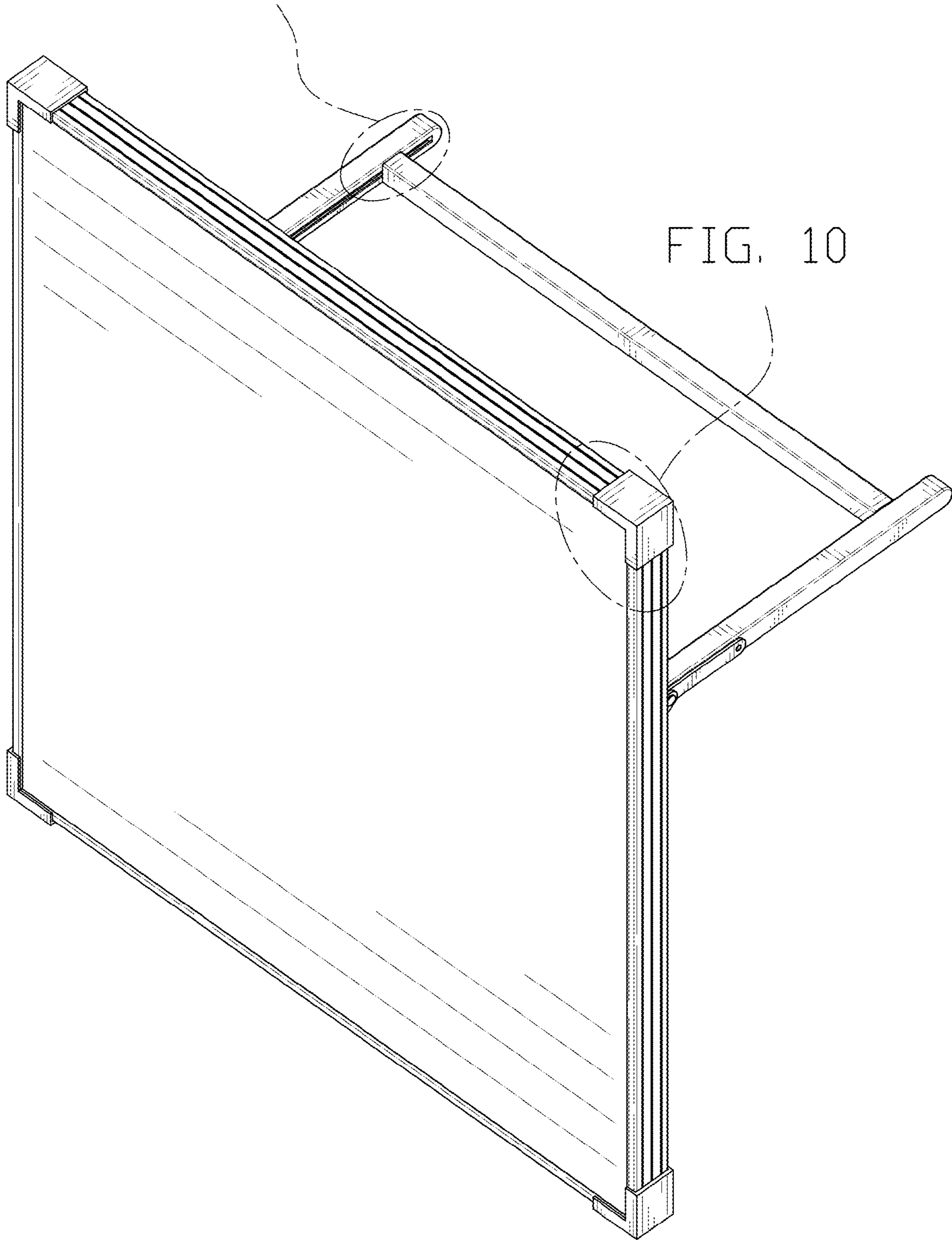


FIG. 1

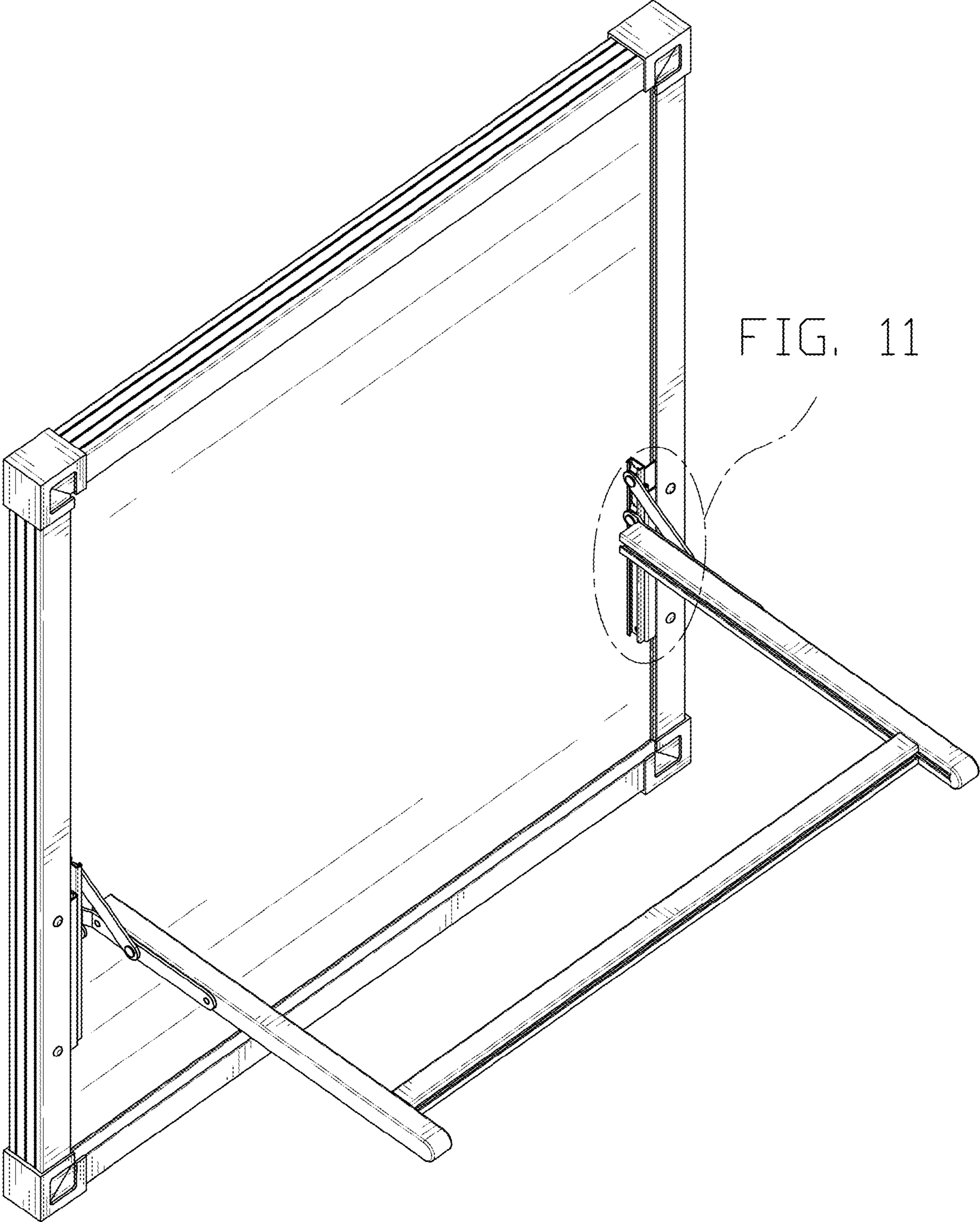


FIG. 2

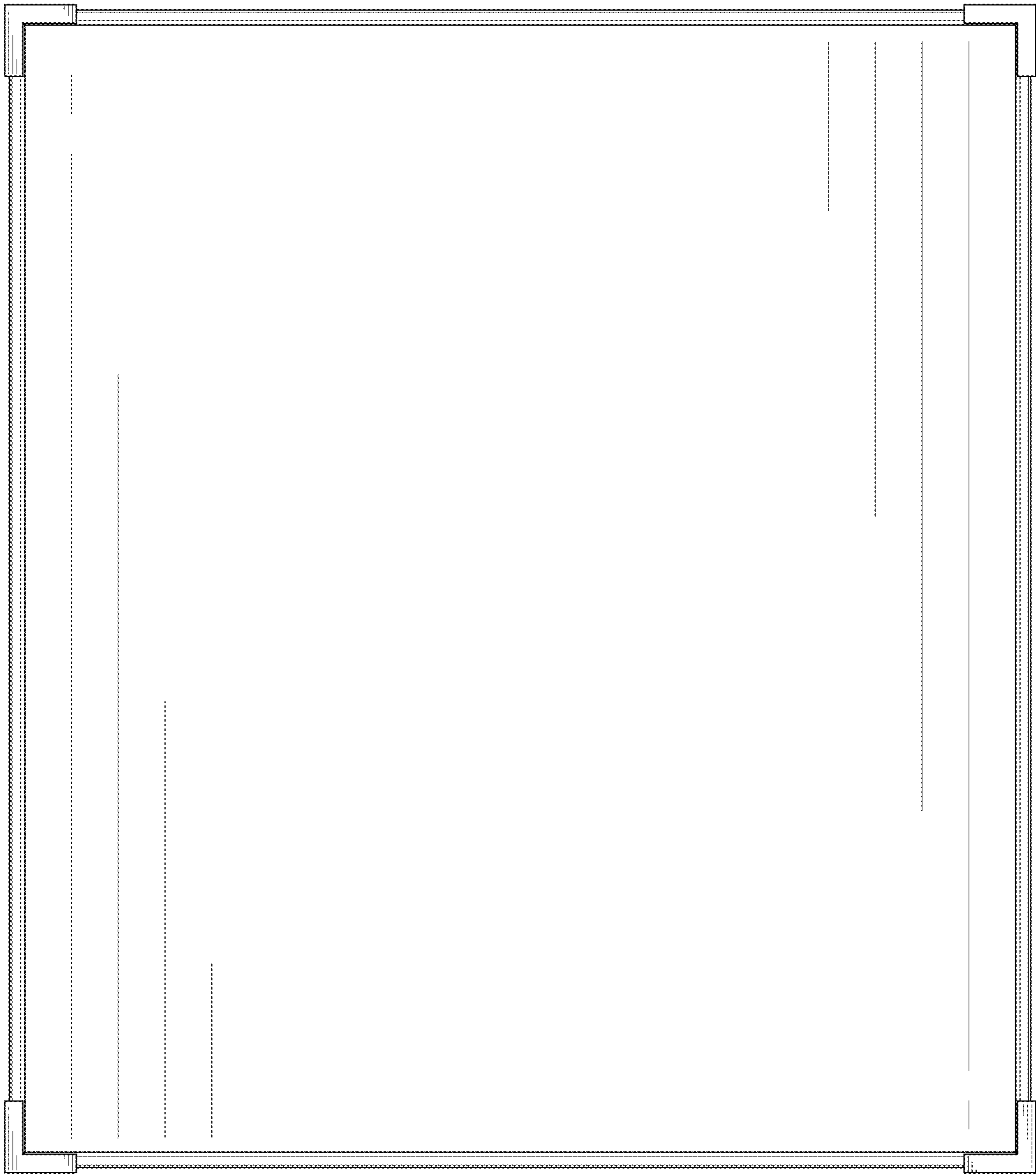


FIG. 3

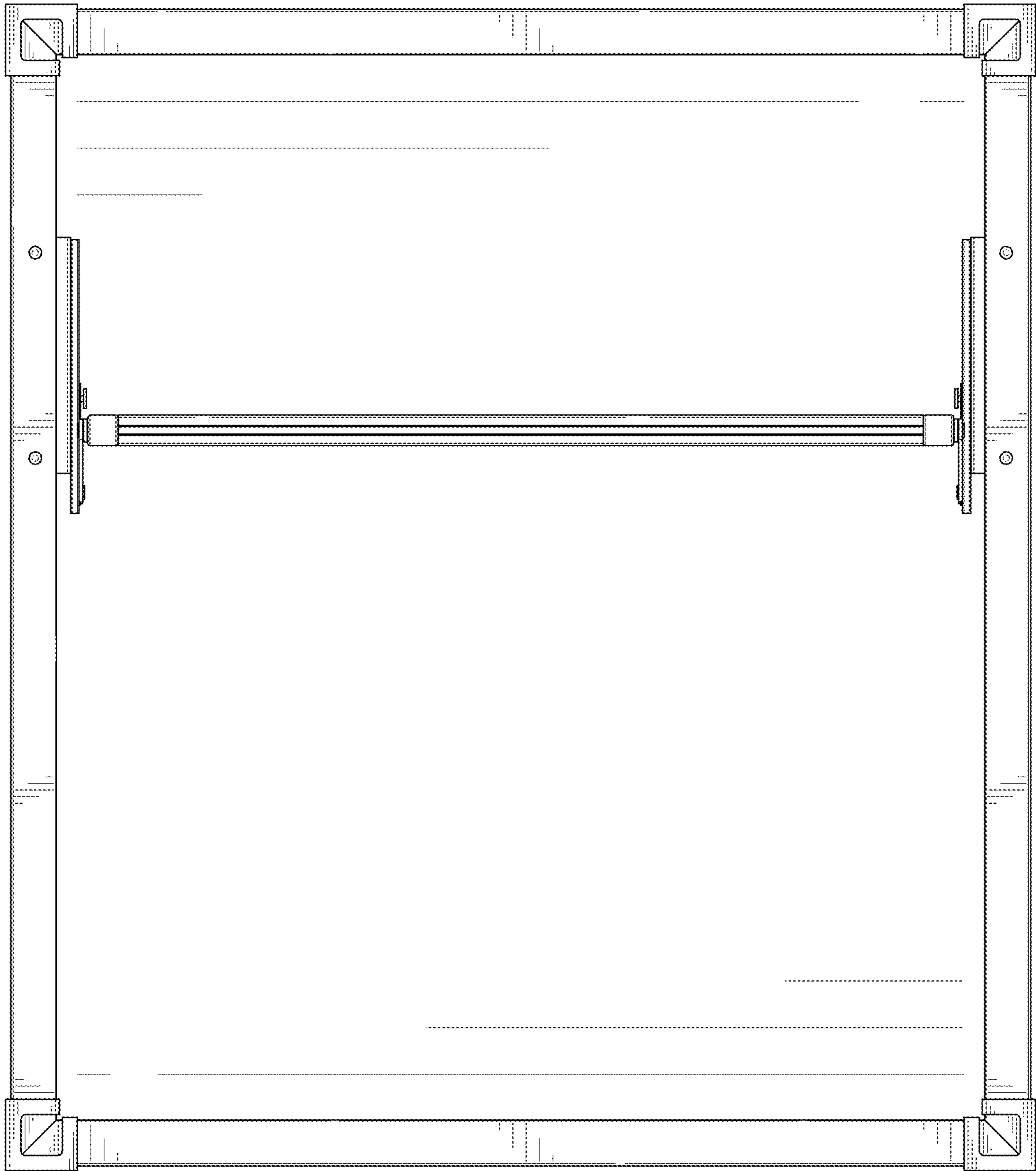


FIG. 4

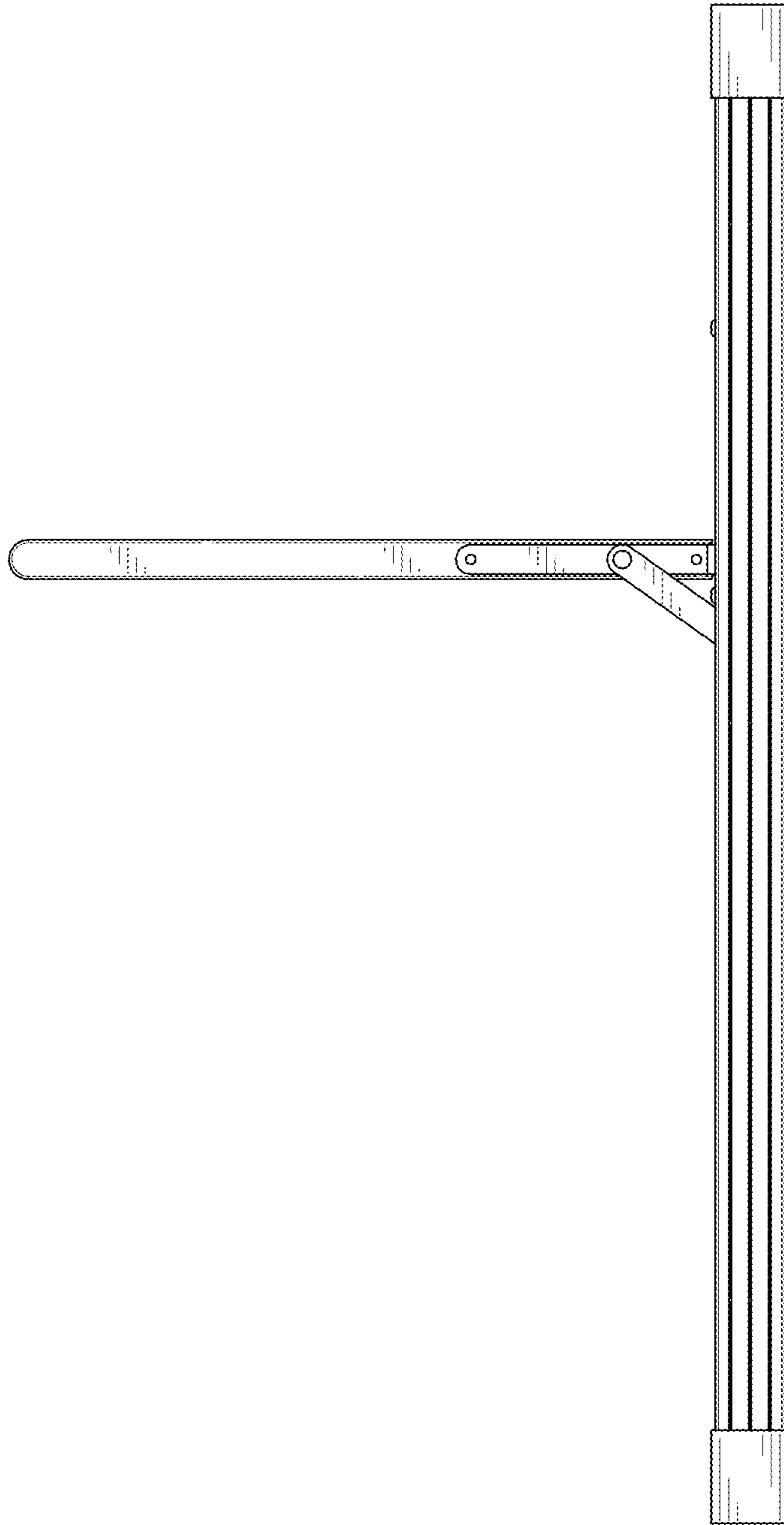


FIG. 5

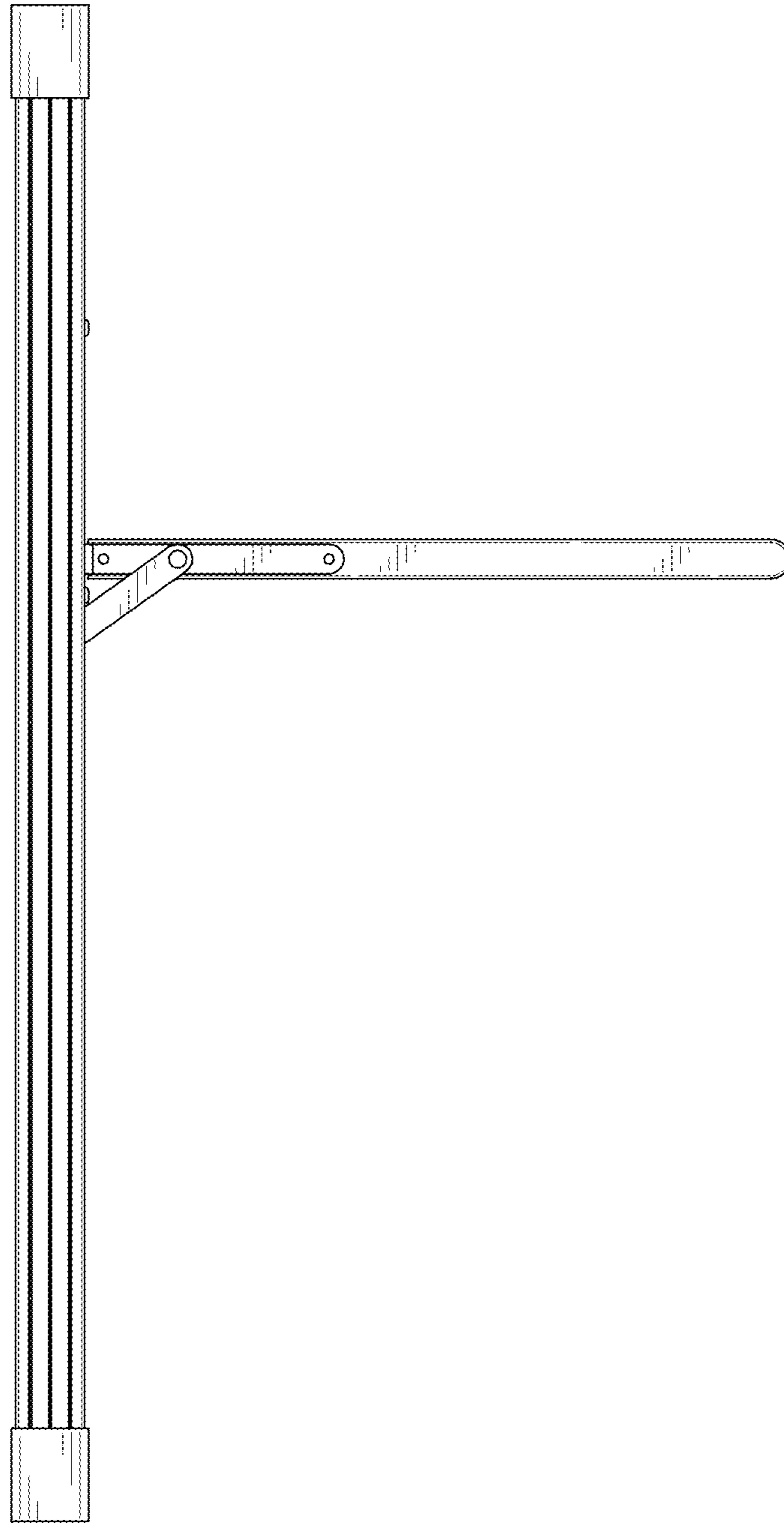


FIG. 6

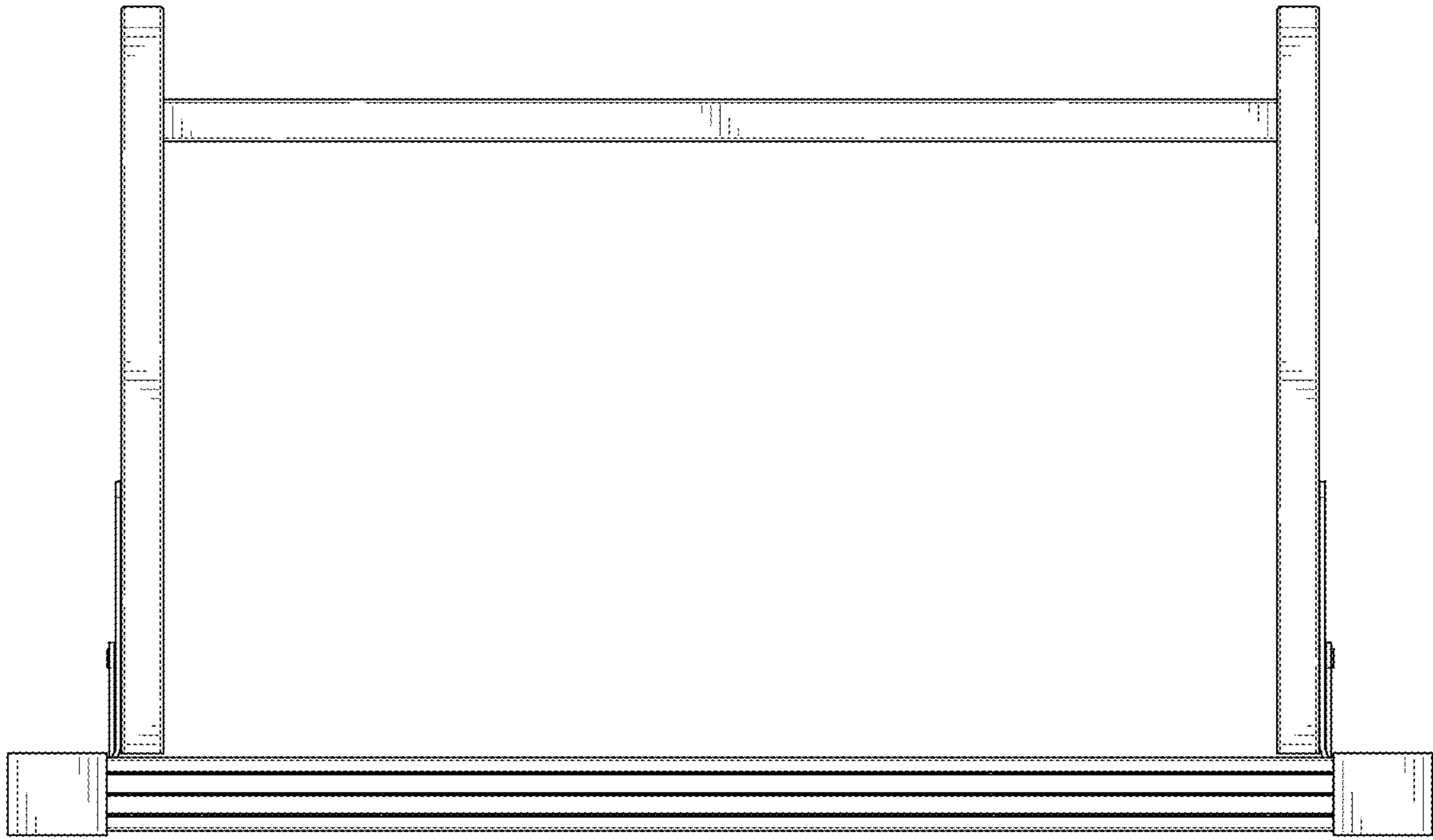


FIG. 7

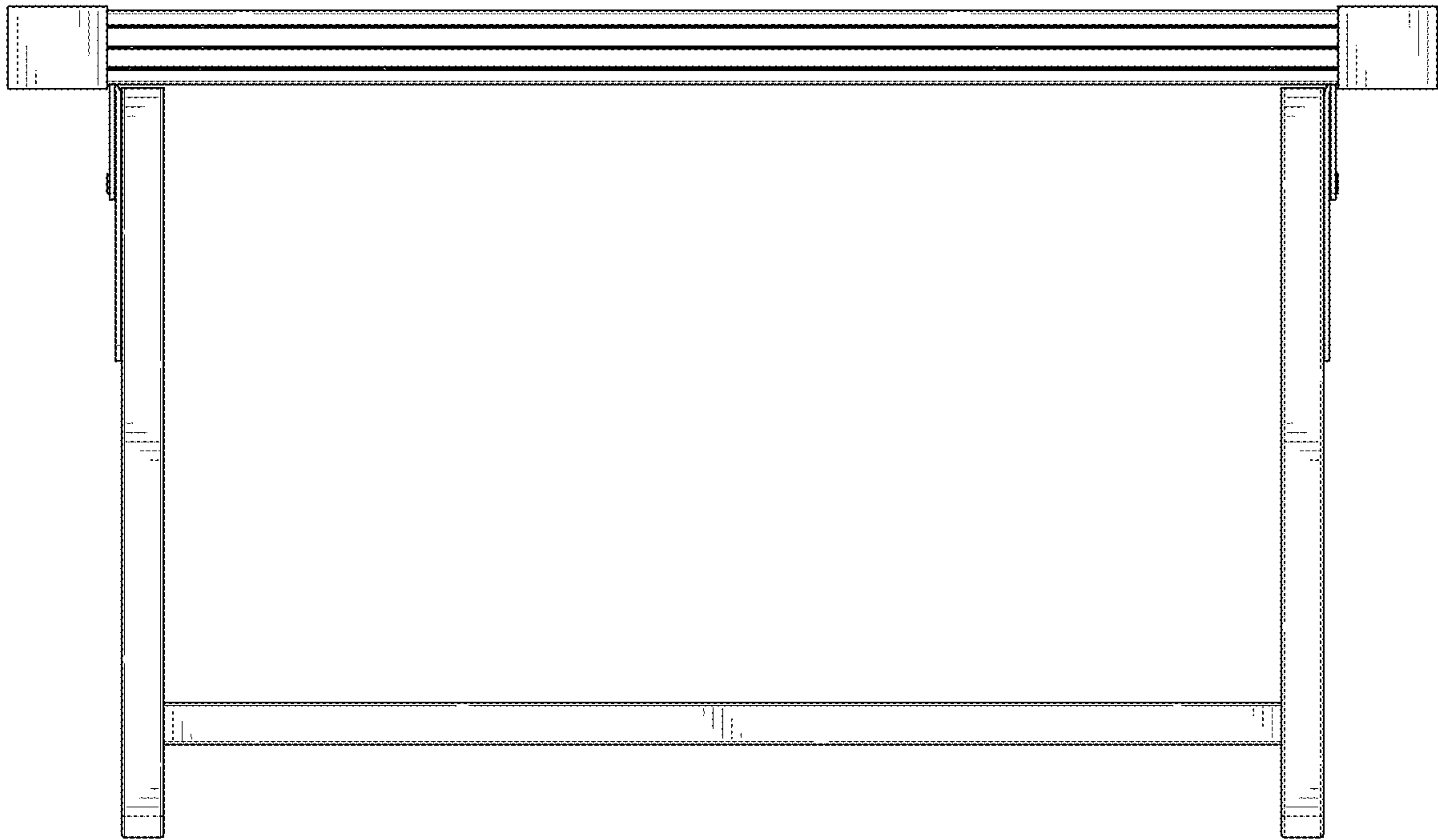


FIG. 8

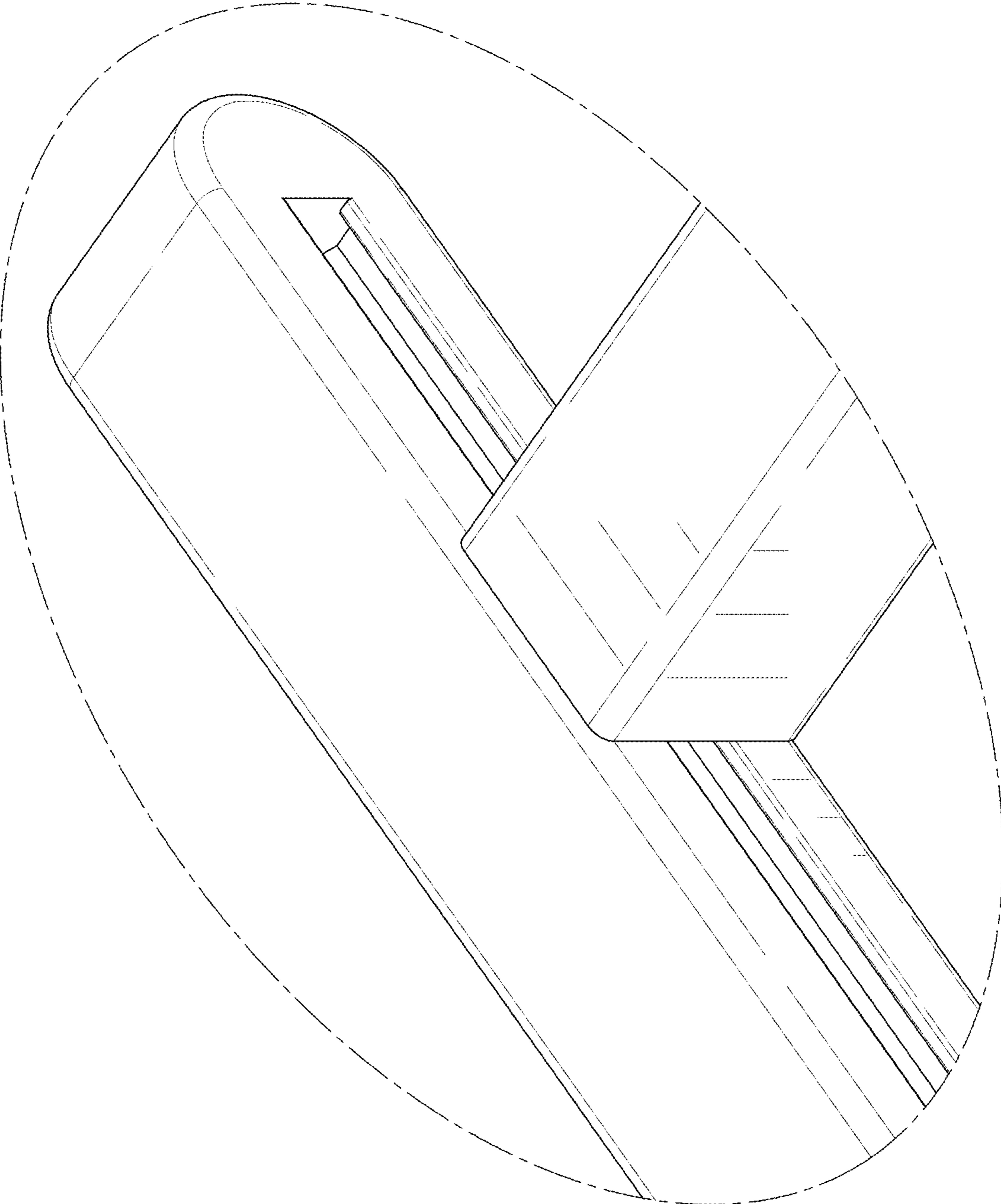


FIG. 9

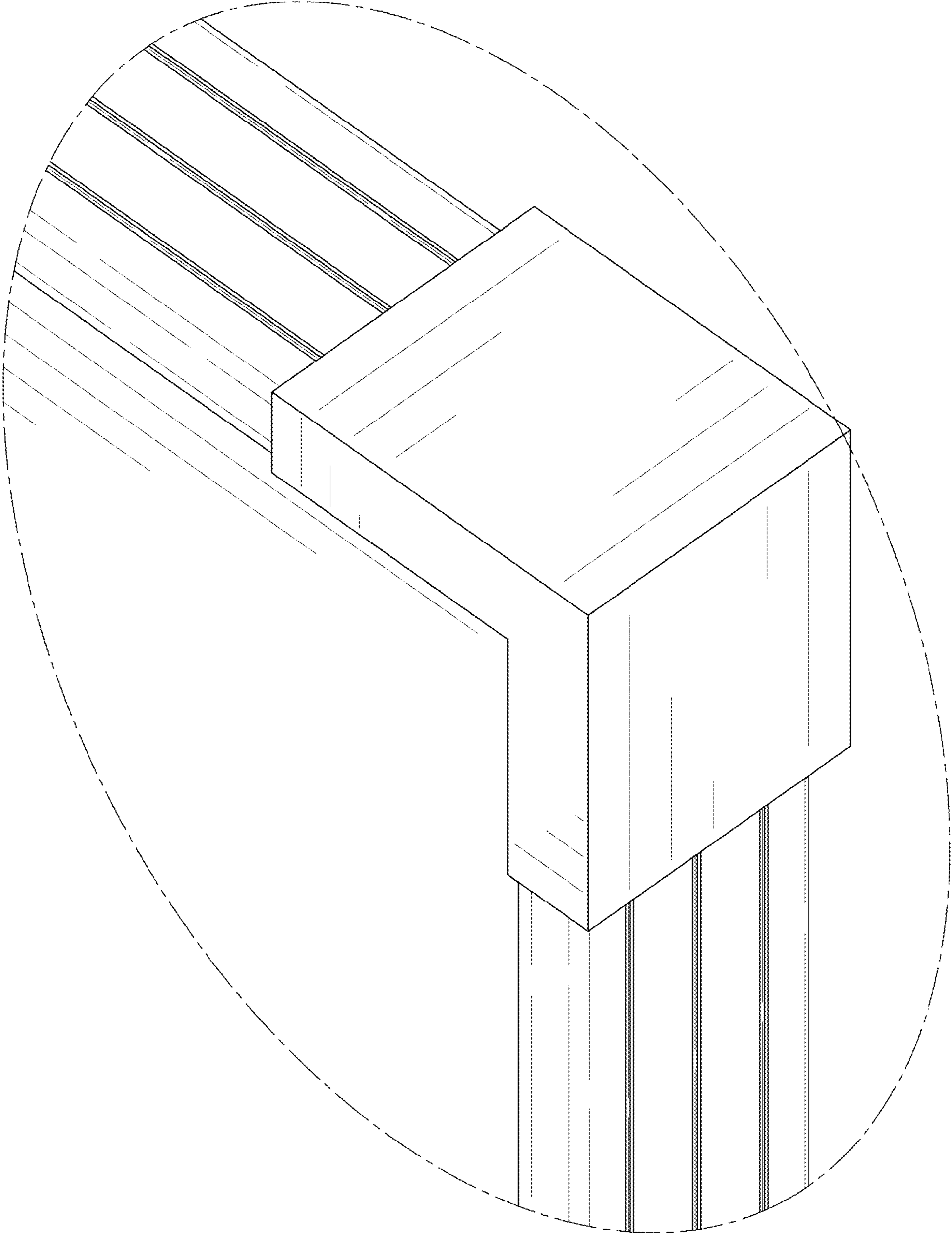


FIG. 10

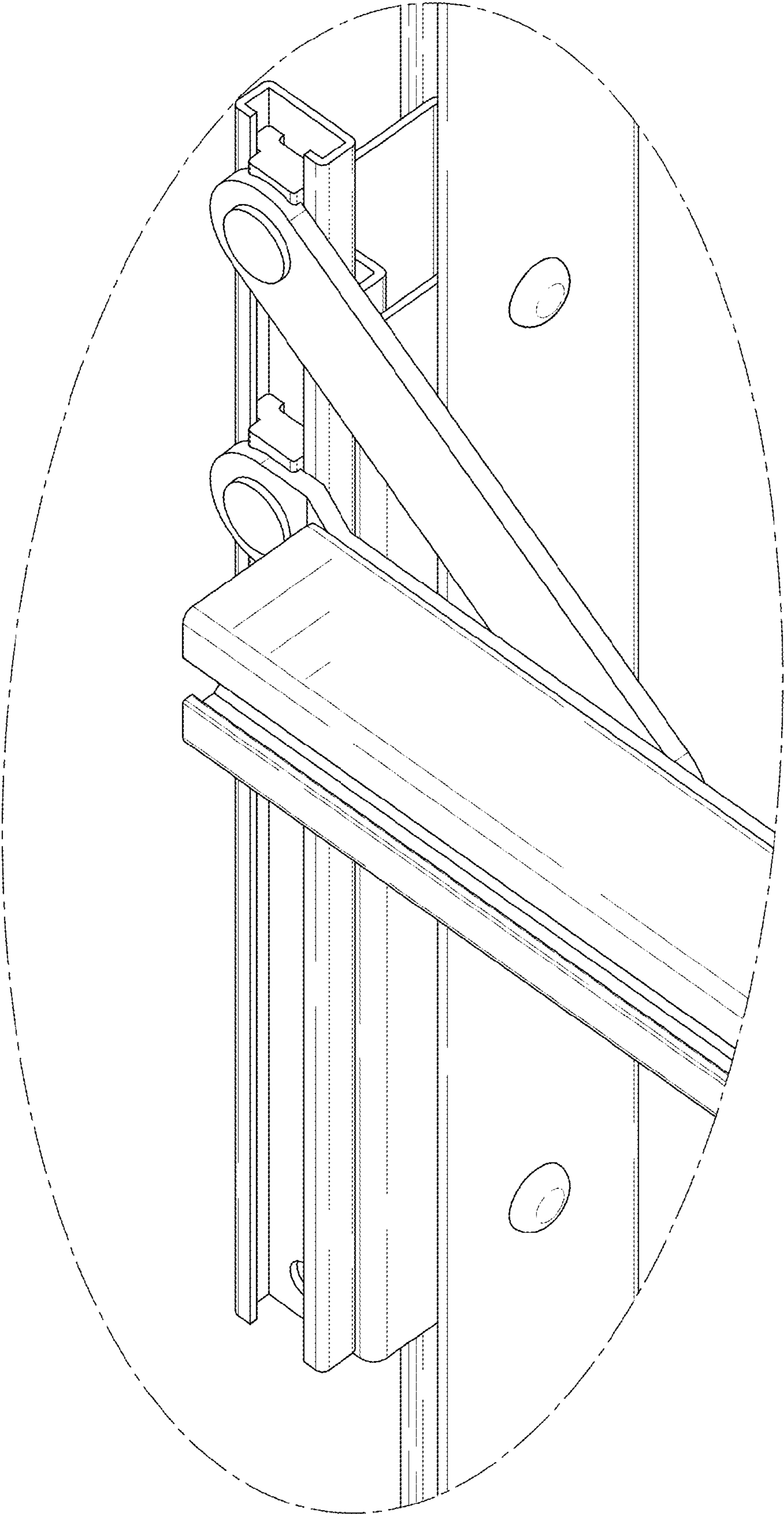


FIG. 11