



US00D910537S

(12) **United States Design Patent** (10) **Patent No.:** **US D910,537 S**
Long et al. (45) **Date of Patent:** **** Feb. 16, 2021**

- (54) **COMBUSTIBLE BRIQUET**
- (71) Applicant: **The Clorox Company**, Oakland, CA (US)
- (72) Inventors: **Joshua Long**, Pleasanton, CA (US);
Stephen Fisher, Pleasanton, CA (US);
Donald Swatling, Pleasanton, CA (US);
Stefan Brown, Pleasanton, CA (US)
- (73) Assignee: **The Clorox Company**, Oakland, CA (US)
- (**) Term: **15 Years**
- (21) Appl. No.: **29/746,354**
- (22) Filed: **Aug. 13, 2020**

Related U.S. Application Data

- (62) Division of application No. 29/621,158, filed on Oct. 4, 2017, now Pat. No. Des. 896,746.
- (51) **LOC (13) Cl.** **23-05**
- (52) **U.S. Cl.**
USPC **D13/100**
- (58) **Field of Classification Search**
USPC D13/100, 184, 199; D1/100, 127, 130,
D1/199; D19/187; D23/207, 208, 422
CPC . A24B 15/165; A24F 1/30; A24F 9/00; C10L
5/00; C10L 5/02; C10L 5/36; C10L
5/361; C10L 5/368; C10L 5/447; C10L
1/02; C10L 1/04; C10L 1/14
See application file for complete search history.

References Cited

U.S. PATENT DOCUMENTS

- D24,313 S * 5/1895 Taggart D13/100
- D330,362 S * 10/1992 Harris D13/100
- D389,453 S * 1/1998 Mitchell D13/100

- 5,762,656 A 6/1998 Burke et al.
- 6,790,244 B2 9/2004 Saunders et al.
- D517,005 S 3/2006 Melin et al.
- D555,585 S 11/2007 Saunders et al.
- D560,603 S 1/2008 Saunders et al.
- D560,604 S 1/2008 Saunders et al.
- D628,147 S * 11/2010 Swatling D13/100
- D635,505 S 4/2011 Beech
- D638,785 S * 5/2011 Swatling D13/100
- D649,510 S * 11/2011 Christensen D13/100
- D649,511 S 11/2011 Christensen et al.
- 8,118,887 B2 * 2/2012 Saunders A23L 5/15
44/531
- D726,899 S * 4/2015 Pai D24/101
- 2004/0025419 A1 * 2/2004 Saunders C10L 5/361
44/522
- 2006/0137244 A1 6/2006 Melin et al.

* cited by examiner

Primary Examiner — Derrick E Holland

(74) *Attorney, Agent, or Firm* — Thomas C. Feix

CLAIM

The ornamental design for a combustible briquet, as shown and described.

DESCRIPTION

FIG. 1 is a front perspective view of a combustible briquet showing our new design (front and rear perspective views are identical);

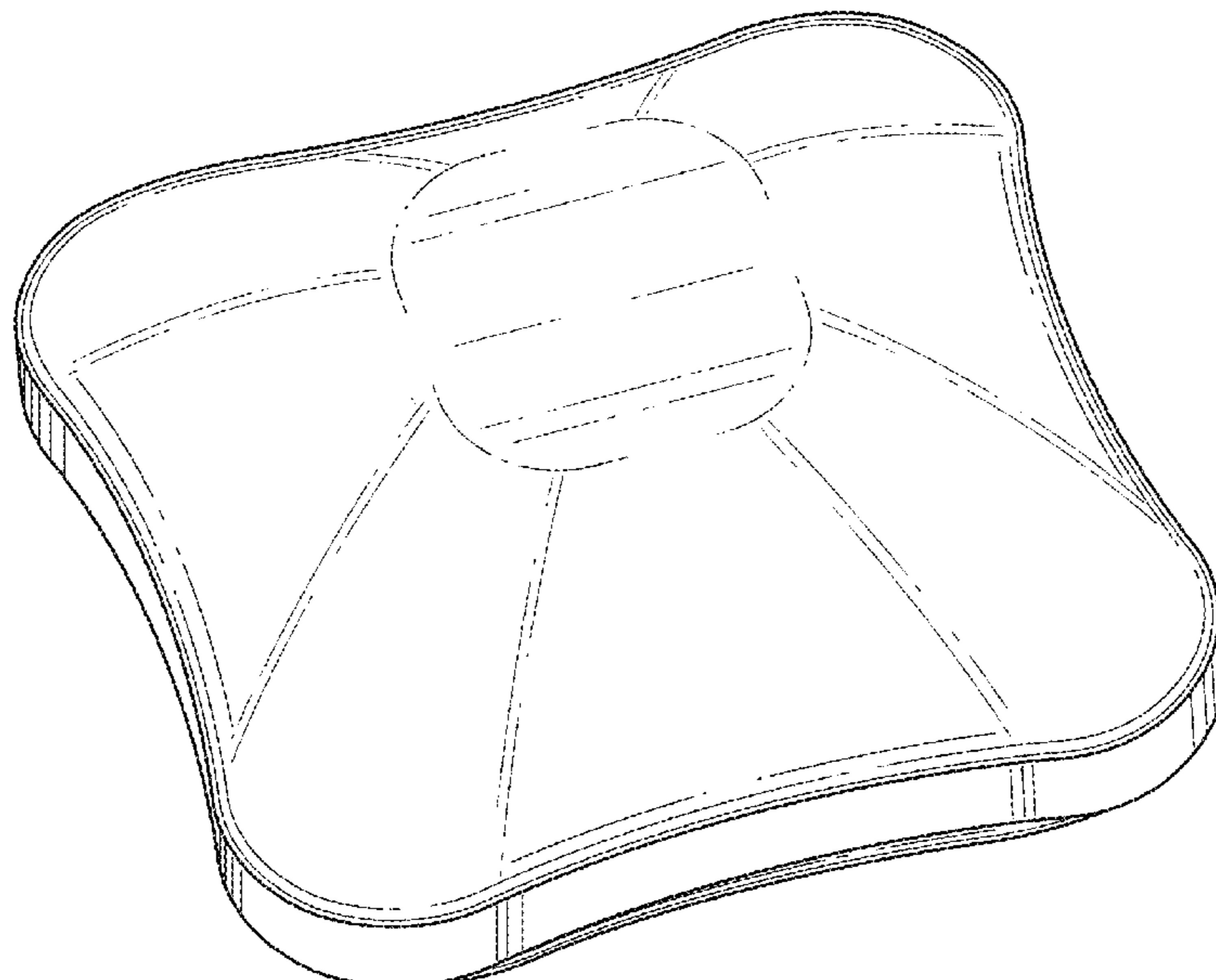
FIG. 2 is a top view of the design of FIG. 1 (top and bottom views are identical);

FIG. 3 is a front elevational view of the design of FIG. 1 (front, right, left side and right side views are identical);

FIG. 4 is a cross-sectional view of FIG. 2 along axis 9-9; and,

FIG. 5 is a cross-sectional view of FIG. 2 along axis 10-10. The broken lines in FIG. 2 represent the cross-sectional designations and form no part of the claimed design.

1 Claim, 5 Drawing Sheets



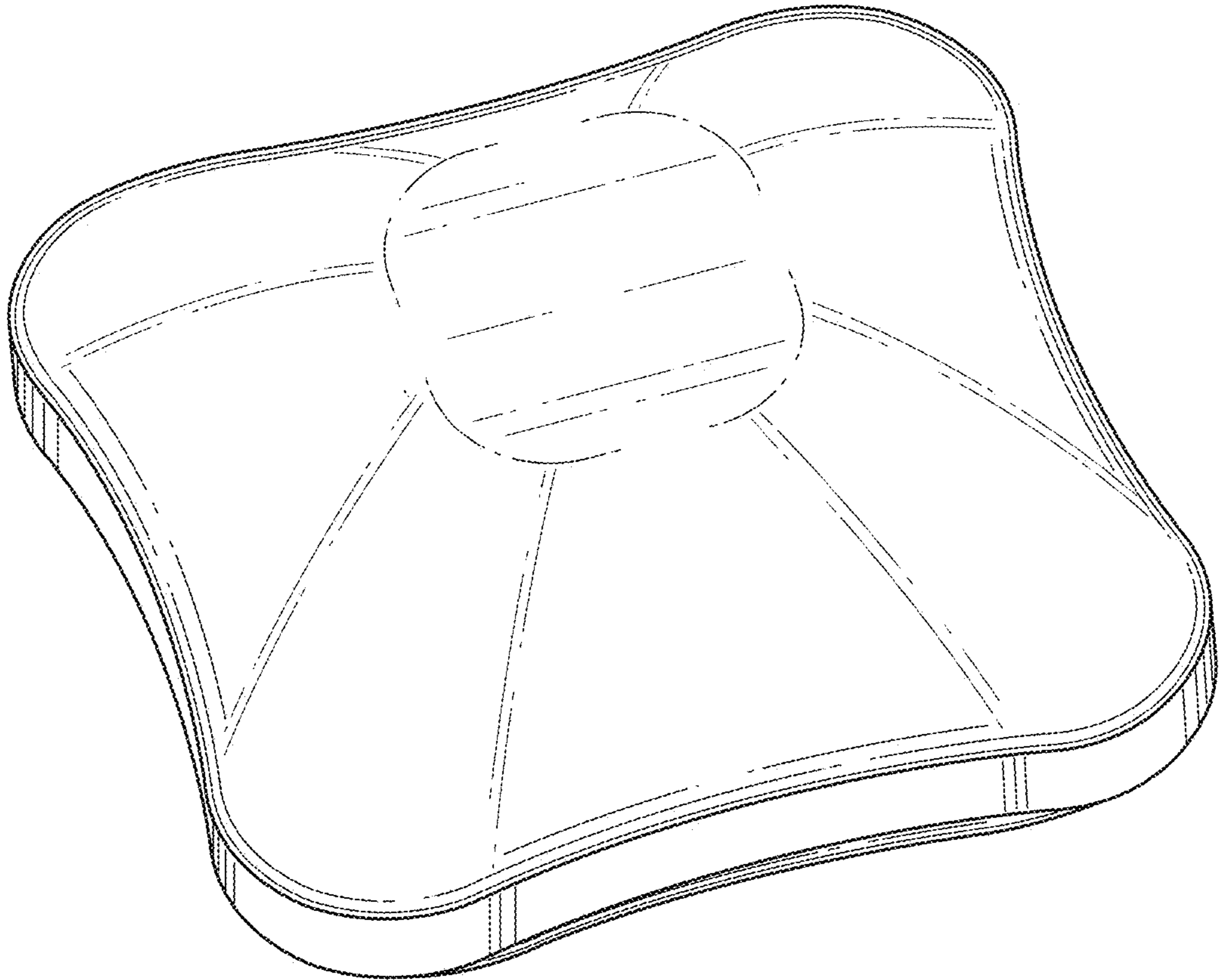


FIG. 1

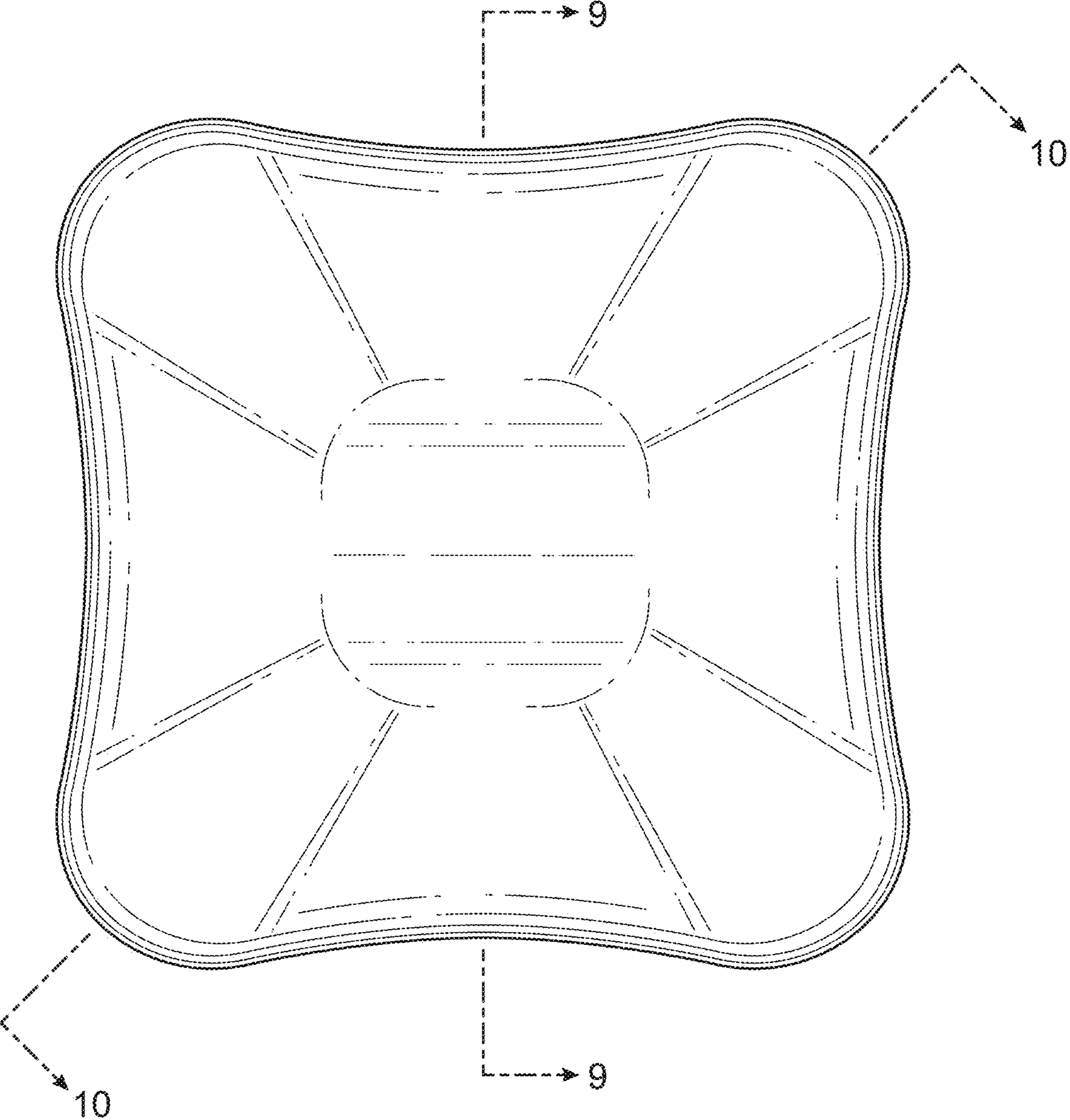


FIG. 2

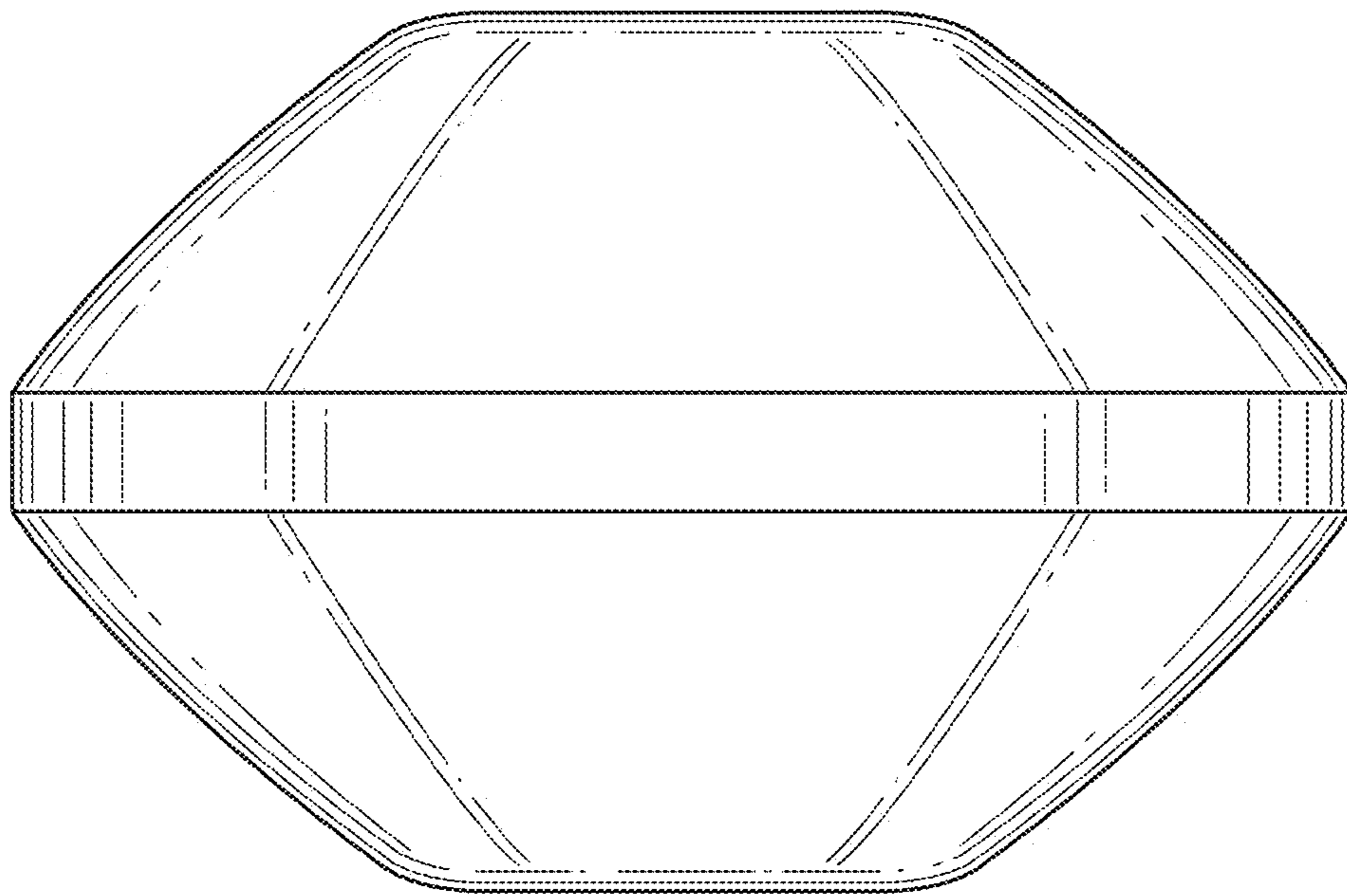


FIG. 3

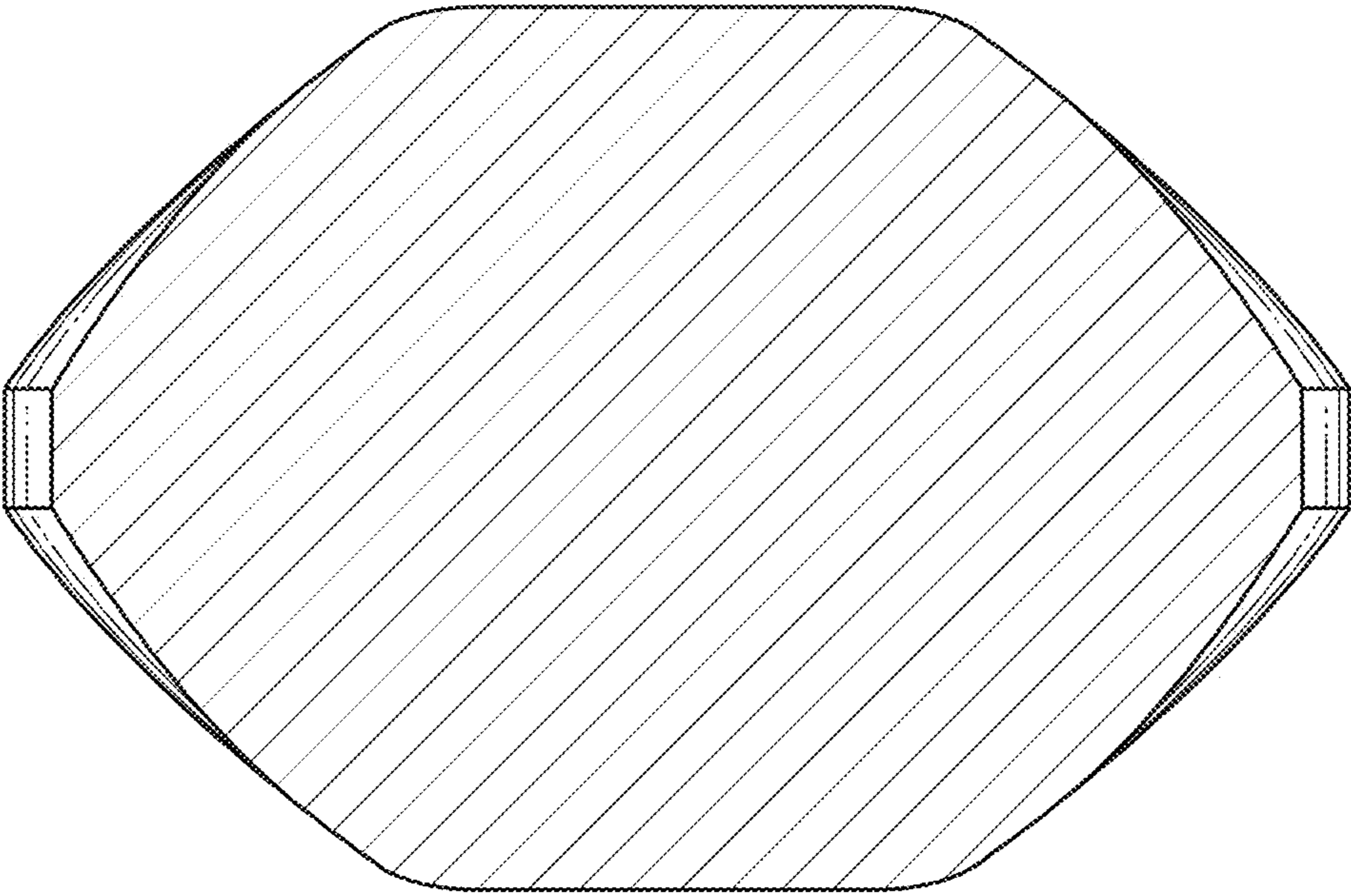


FIG. 4

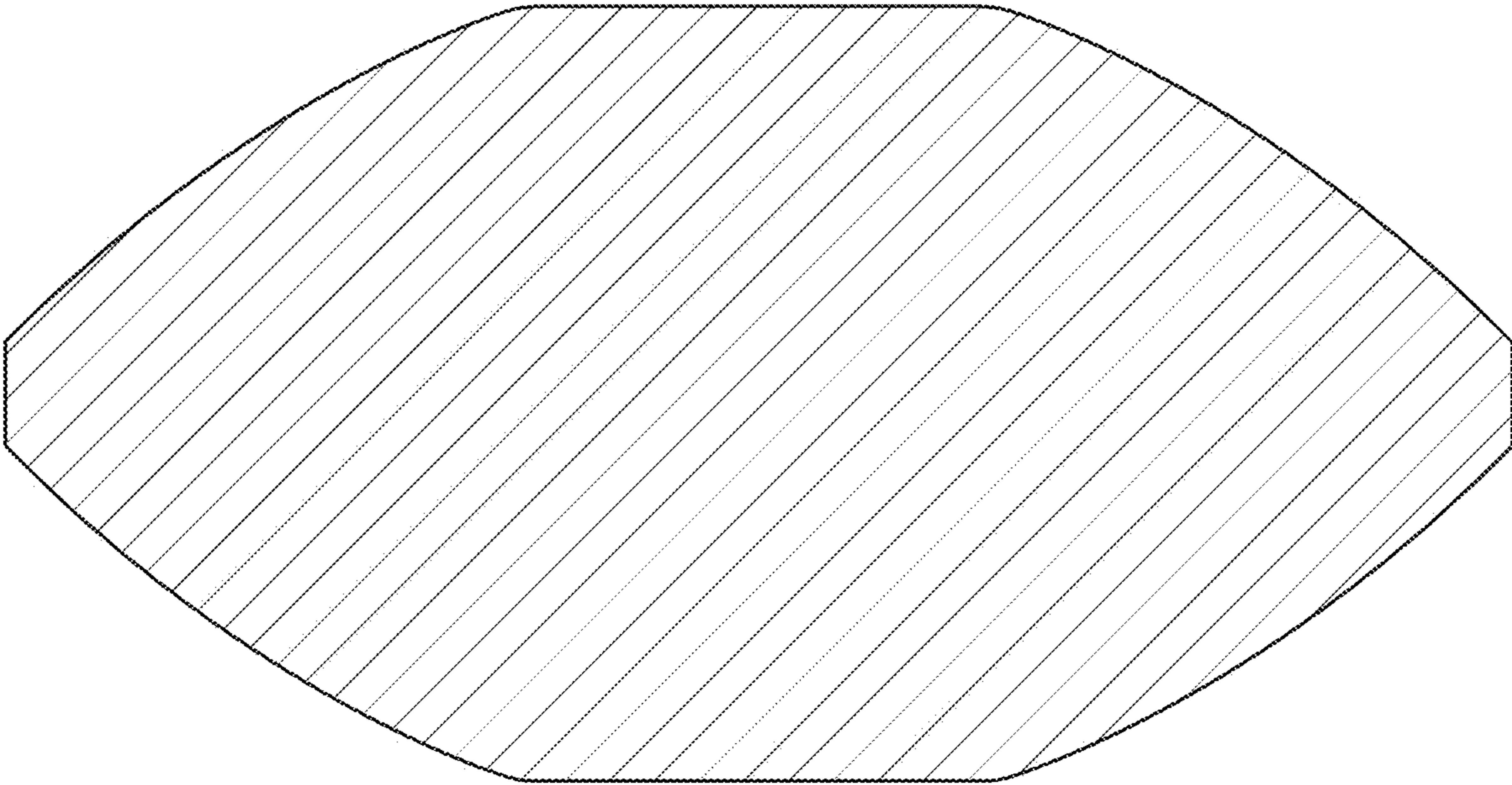


FIG. 5