



US00D910532S

(12) **United States Design Patent**  
**Zhou**

(10) **Patent No.:** **US D910,532 S**

(45) **Date of Patent:** **\*\* Feb. 16, 2021**

(54) **SUCTION DEVICE**

(71) Applicant: **Ningbo Hi-Tech Zone Golden Found Trade Co., Ltd, Ningbo (CN)**

(72) Inventor: **Junhua Zhou, Ningbo (CN)**

(73) Assignee: **Ningbo Hi-Tech Zone Golden Found Trade Co., Ltd, Ningbo (CN)**

(\*\*) Term: **15 Years**

(21) Appl. No.: **29/694,770**

(22) Filed: **Jun. 13, 2019**

(51) **LOC (13) Cl.** ..... **12-16**

(52) **U.S. Cl.**  
USPC ..... **D12/406**

(58) **Field of Classification Search**  
USPC ..... D12/415-417, 420, 400-406, 106, 317,  
D12/412, 413, 414, 414.1, 190, 223;  
D8/382, 356, 354, 349, 367;  
D6/610-611, 552; D3/304-306; 361/826  
CPC .... B60R 9/00; B60R 9/02; B60R 9/04; B60R  
9/08; B60R 9/042; B60R 9/0423; B60R  
9/0426; B60R 9/045; B60R 9/048; B60R  
9/0485; B60R 9/05; B60R 9/052; B60R  
9/055; B60R 9/058; B60R 9/06; B60R  
9/10; B60R 9/12

See application file for complete search history.

(56) **References Cited**

**U.S. PATENT DOCUMENTS**

D395,276 S *	6/1998	Lundgren	.....	D12/414
D411,979 S *	7/1999	Getz	.....	D12/223
D508,889 S *	8/2005	Cronce	.....	D12/414
D509,471 S *	9/2005	Cronce	.....	D12/414
D532,674 S *	11/2006	Schwalie	.....	D8/331
D543,927 S *	6/2007	Pausche	.....	D12/223
D567,722 S *	4/2008	Chapman	.....	D12/162
D682,772 S *	5/2013	Massaad	.....	D12/415

D702,874 S *	4/2014	Cienfuegos	.....	D26/138
D709,432 S *	7/2014	Fair; Paul	.....	D12/412
D709,818 S *	7/2014	Zhang	.....	D12/412
D712,394 S *	9/2014	Booth	.....	D14/253
D716,215 S *	10/2014	Dunn	.....	D12/415
D752,503 S *	3/2016	Sethapun	.....	D12/345
D756,291 S *	5/2016	Masanek, Jr.	.....	D12/426
D758,256 S *	6/2016	Cropley	.....	D12/412
D778,337 S *	2/2017	Roth	.....	D16/242
D790,408 S *	6/2017	Wymore	.....	D12/162

(Continued)

**OTHER PUBLICATIONS**

Garmin Vehicle suction cup, Mount, Dezl 78x 010-12771-00 Color: Black, OpticsPlanet.com, [online], [site visited Jul. 17, 2020]. < URL: <https://www.opticsplanet.com/garmin-vehicle-suction-cup-mount-dezl-78x.html>> (Year: 2020).\*

(Continued)

*Primary Examiner* — T Chase Nelson  
*Assistant Examiner* — Jonathan J. Han  
(74) *Attorney, Agent, or Firm* — Maier & Maier, PLLC

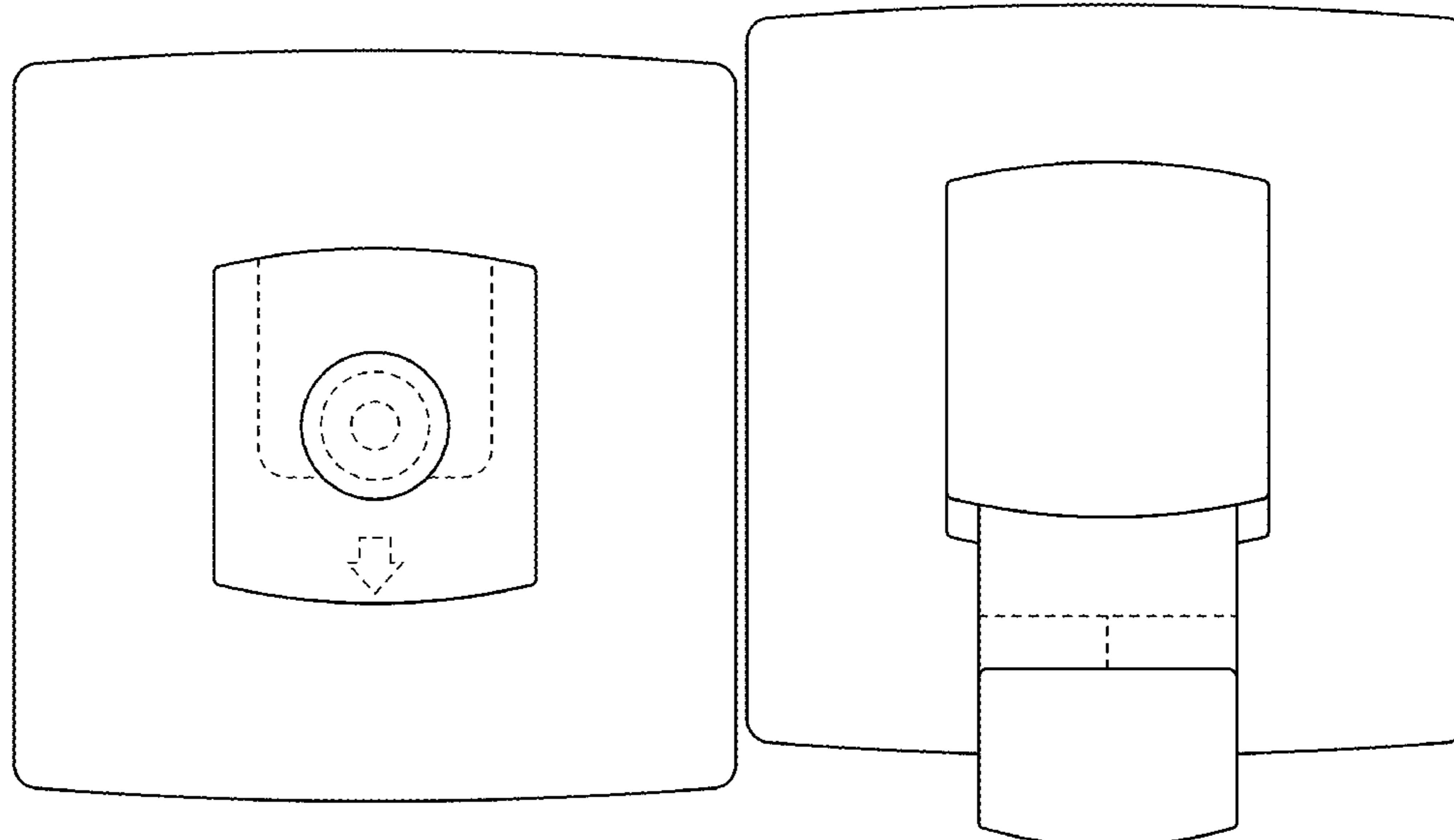
(57) **CLAIM**

The ornamental design for a suction device, as shown and described.

**DESCRIPTION**

FIG. 1 is a front view of a suction device, showing my new design;  
FIG. 2 a top plan view thereof;  
FIG. 3 is a bottom plan view thereof;  
FIG. 4 is a top plan view of the suction device with a mounted top element;  
FIG. 5 is a front view thereof; and,  
FIG. 6 is a side view thereof.  
The broken lines in the drawings are used to show portions of the suction device that form no part of the claimed design.

**1 Claim, 4 Drawing Sheets**



(56)

**References Cited**

## U.S. PATENT DOCUMENTS

D817,853 S \* 5/2018 Abrantes ..... D12/406  
D838,035 S \* 1/2019 Galekop ..... D26/138  
D840,282 S \* 2/2019 Coste ..... D12/162  
D843,824 S \* 3/2019 Milani ..... D8/382  
D857,479 S \* 8/2019 Ocklenburg ..... D8/343  
D858,256 S \* 9/2019 Smith ..... D8/354  
D862,390 S \* 10/2019 Tomasson ..... D13/146  
D865,498 S \* 11/2019 Krake ..... D8/367  
D872,679 S \* 1/2020 MacAvoy ..... D12/223  
D877,636 S \* 3/2020 Haag ..... D10/98  
D877,742 S \* 3/2020 Yao ..... D14/447  
D881,870 S \* 4/2020 Riley ..... D14/253  
D885,873 S \* 6/2020 Deng ..... D8/367  
D889,251 S \* 7/2020 Krake ..... D8/367  
2011/0278885 A1 \* 11/2011 Procter ..... B60R 11/0252  
297/135

## OTHER PUBLICATIONS

CS2/CTS2 Windshield Suction Mount—4002004, EdgeProducts.com, [online], [site visited Jul. 17, 2020]. <URL: <https://edgeproducts.com/shop/cs2-cts2-windshield-suction-mount>> (Year: 2020).\*

GoPro Suction Cup Mount Car Hood Demonstration, YouTube.com, IrixGuy's Adventure Channel, Jan. 22, 2013, [online], [site visited Jul. 17, 2020]. <URL: <https://www.youtube.com/watch?v=aP8PE97KJQw>> (Year: 2013).\*

European Office Action dated Aug. 28, 2019, in connection with corresponding EP Community Design Registration No. 006745659-0001 (4 pgs.).

\* cited by examiner

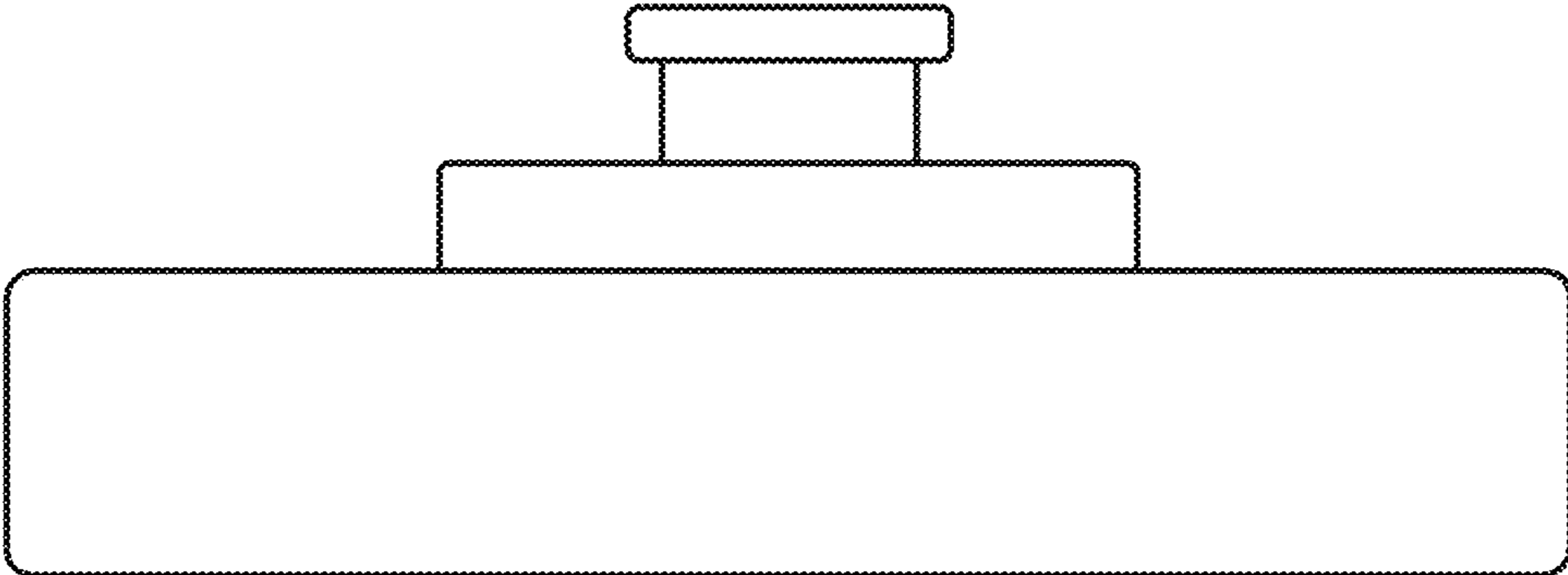


Fig. 1

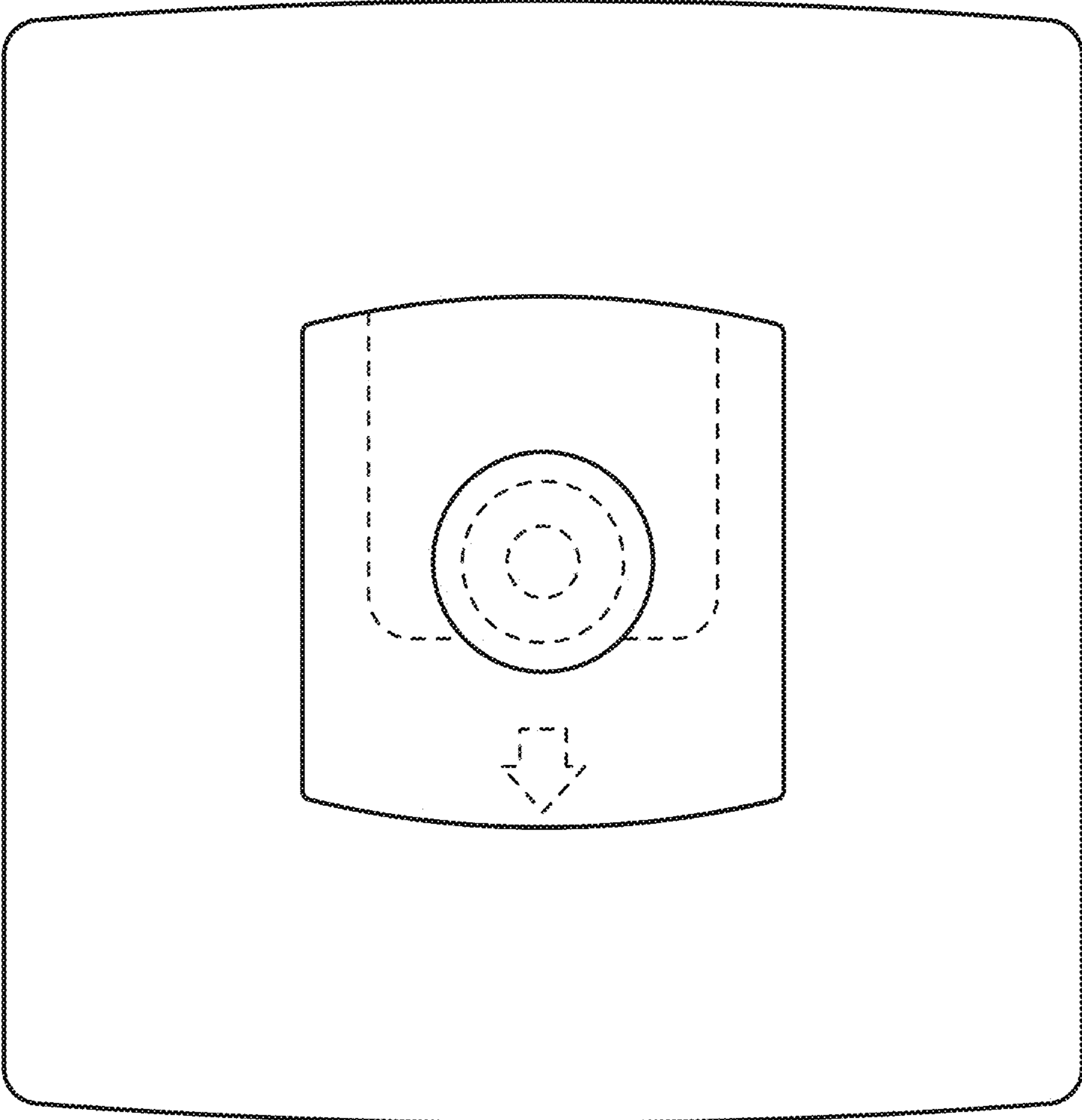


Fig. 2

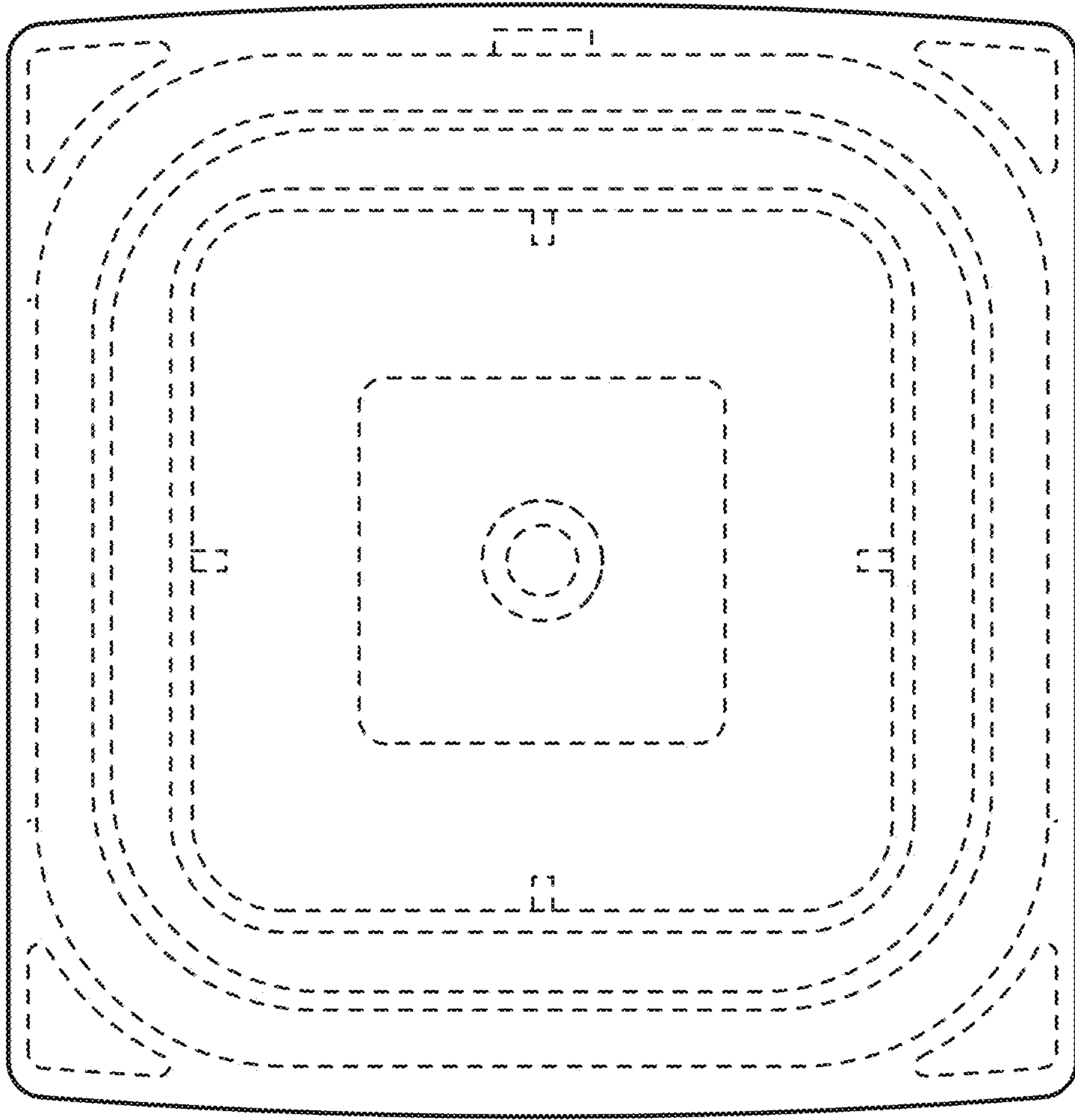


Fig. 3

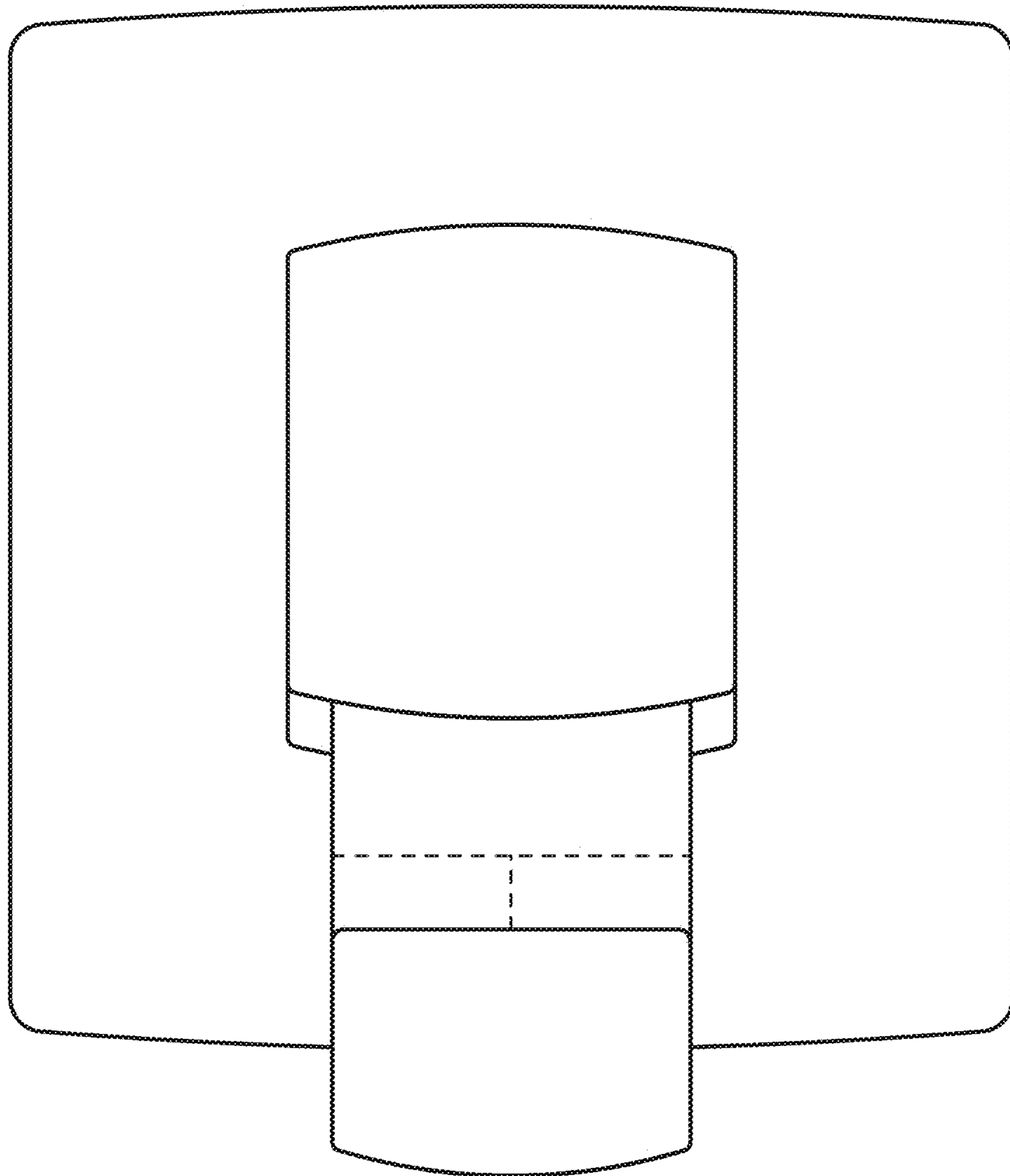


Fig. 4

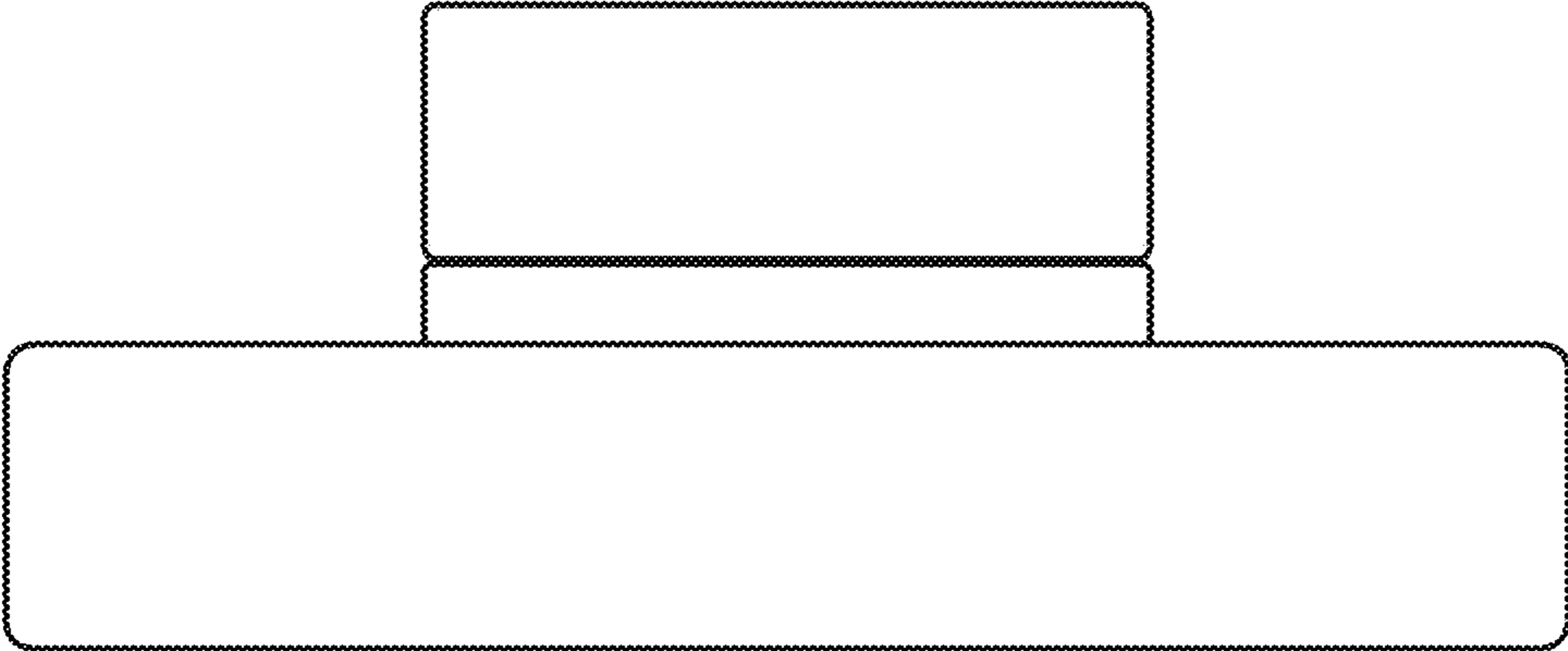


Fig. 5

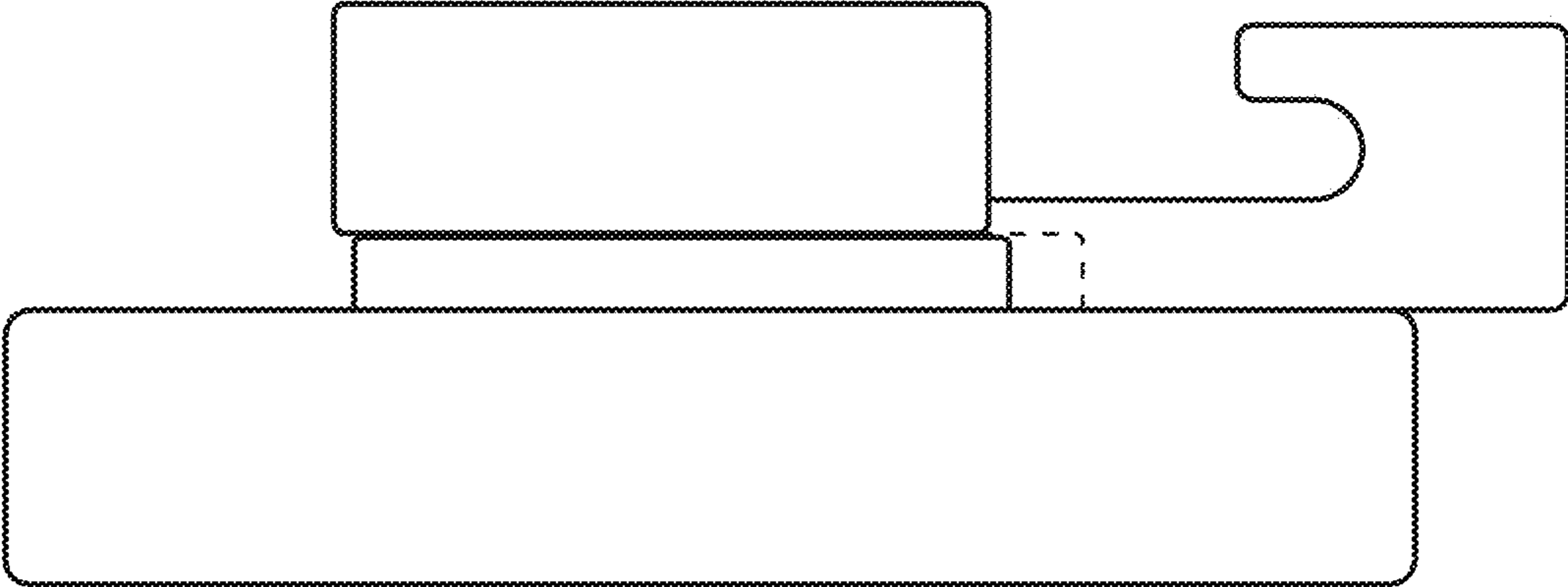


Fig. 6