



US00D910531S

(12) **United States Design Patent** (10) **Patent No.:** **US D910,531 S**  
**Morrison et al.** (45) **Date of Patent:** **\*\* Feb. 16, 2021**

- (54) **AIRCRAFT SIDEARM CONTROLLER**
- (71) Applicant: **Alakai Technologies Corporation**,  
Hopkinton, MA (US)
- (72) Inventors: **Brian D. Morrison**, Hopkinton, MA  
(US); **Andre H. De Salis**, Pasadena,  
CA (US); **Martti J. Lampela**, Los  
Angeles, CA (US); **Adil M. Ali**,  
Thousand Oaks, CA (US); **Peter F.**  
**Falt**, Thousand Oaks, CA (US)
- (73) Assignee: **Alakai Technologies Corporation**,  
Hopkinton, MA (US)
- (\*\*) Term: **15 Years**
- (21) Appl. No.: **29/692,485**
- (22) Filed: **May 24, 2019**
- (51) **LOC (13) Cl.** ..... **12-07**
- (52) **U.S. Cl.**  
USPC ..... **D12/345**
- (58) **Field of Classification Search**  
USPC ..... D12/128–133, 415–421, 400, 191, 106,  
D12/195, 345, 96, 99, 246; D15/28, 33,  
D15/30, 17, 22–26; D14/399–401,  
D14/412–418; D21/333, 328  
CPC . B60N 2/77; B60N 2/24; B60N 2/797; B60N  
2/767; B60N 2/143; G05G 1/52; A61G  
5/1094  
See application file for complete search history.

7,600,819	B2 *	10/2009	Armo .....	B60N 2/767
				297/411.35
D613,668	S *	4/2010	Guering .....	D12/345
7,748,785	B2 *	7/2010	Lucas .....	B60N 2/797
				297/411.35
D638,841	S *	5/2011	Musick, Jr. ....	D14/412
8,483,914	B2 *	7/2013	Copeland .....	B60N 2/797
				701/50
D694,168	S *	11/2013	Yates .....	D12/345
9,335,783	B2 *	5/2016	Van Olst .....	A61G 5/1094
D758,284	S *	6/2016	Ringer .....	D12/415
9,592,758	B2 *	3/2017	Mahler .....	B60N 2/797
D816,169	S *	4/2018	Trujillo .....	D21/333
D872,658	S *	1/2020	Zhang .....	D12/131
10,702,069	B2 *	7/2020	Pelka .....	B60N 2/24
2006/0042857	A1 *	3/2006	Catton .....	B60N 2/77
				180/334

\* cited by examiner

*Primary Examiner* — Susan E Krakower  
*Assistant Examiner* — Jerry Shiuian-Hua Hsu  
(74) *Attorney, Agent, or Firm* — Morse, Barnes-Brown &  
Pendleton, P.C.; Sean D. Detweiler, Esq.

(57) **CLAIM**

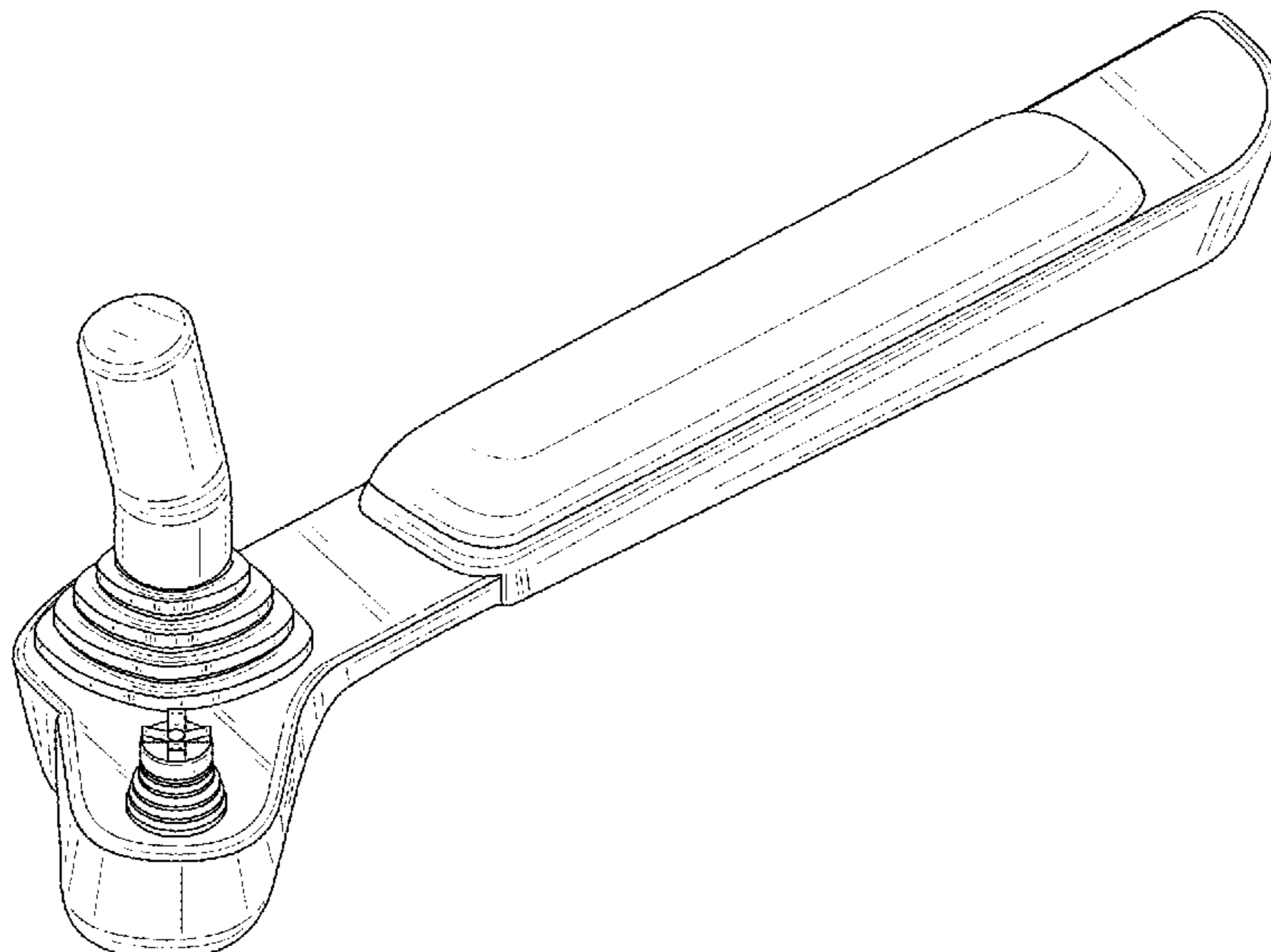
The ornamental design for the aircraft sidearm controller, as shown and described.

**DESCRIPTION**

FIG. 1 is a right front top isometric view of the aircraft sidearm controller, showing our new design; FIG. 2 is a top plan view of the aircraft sidearm controller; FIG. 3 is a front elevation view of the aircraft sidearm controller, enlarged for ease of illustration; FIG. 4 is a right side elevation view of the aircraft sidearm controller; FIG. 5 is a back elevation view of the aircraft sidearm controller, enlarged for ease of illustration; and, FIG. 6 is a left side elevation view of the aircraft sidearm controller.

**1 Claim, 3 Drawing Sheets**

- (56) **References Cited**  
U.S. PATENT DOCUMENTS  
4,895,040 A \* 1/1990 Soederberg ..... G05G 1/52  
74/491  
D516,096 S \* 2/2006 Bergman ..... D15/28  
7,014,255 B2 \* 3/2006 Amamiya ..... B60N 2/143  
296/190.08  
D581,862 S \* 12/2008 Anttila ..... D12/421



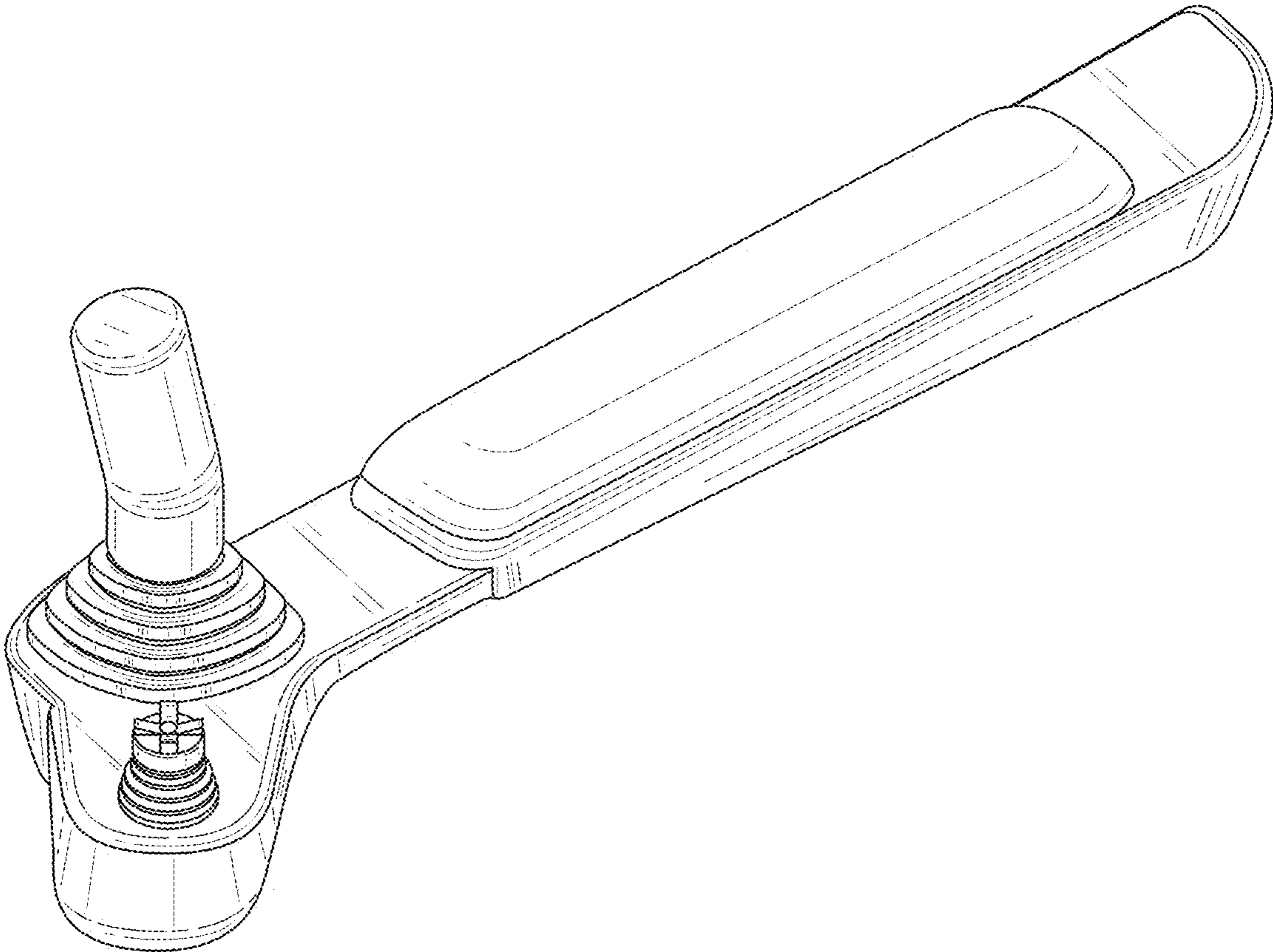


FIG. 1

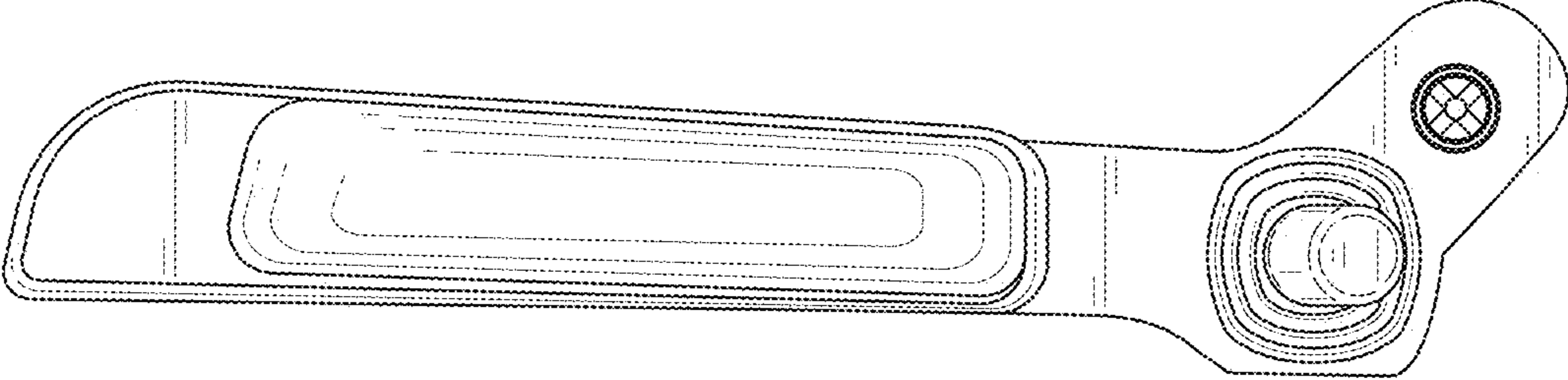


FIG. 2

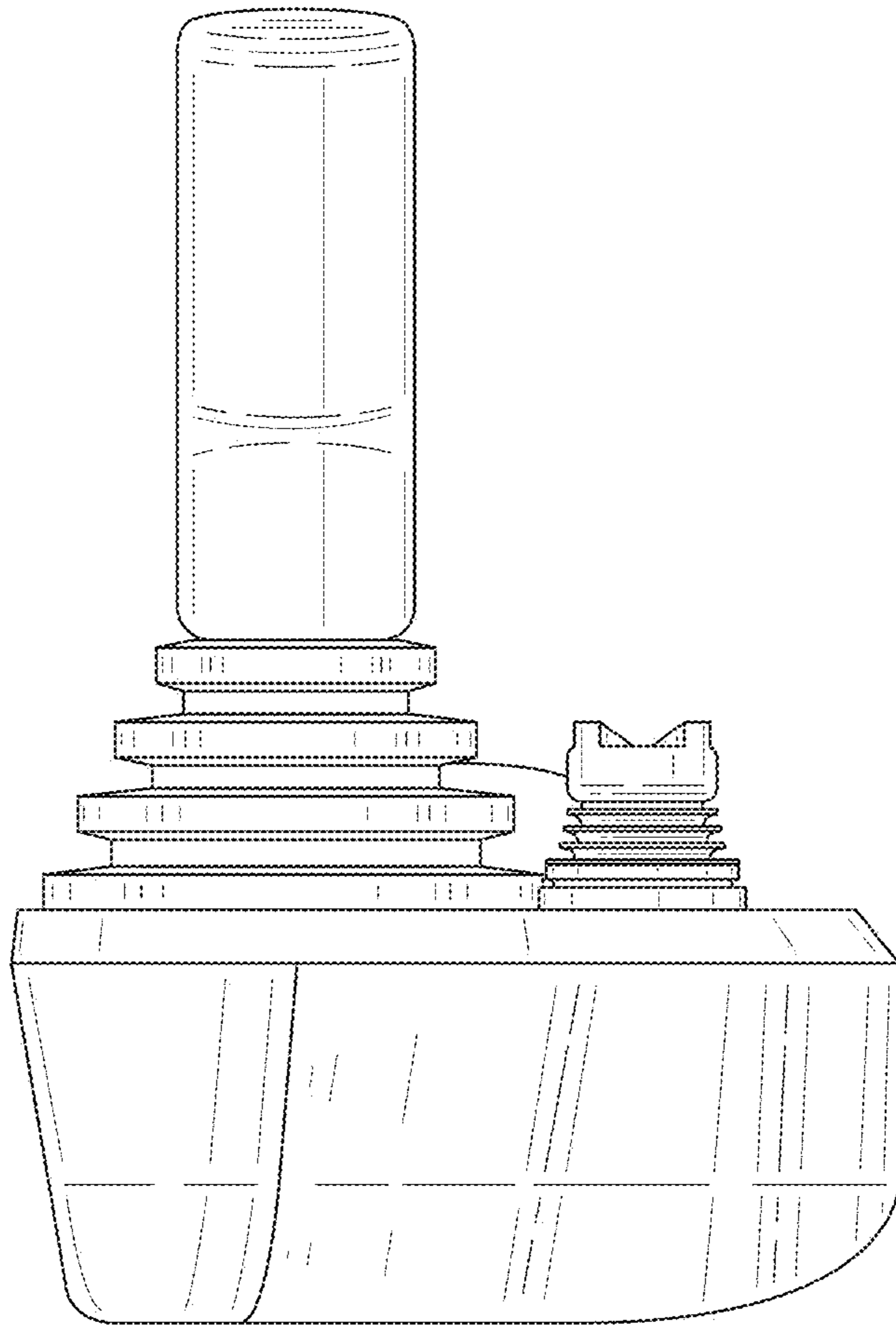


FIG. 3

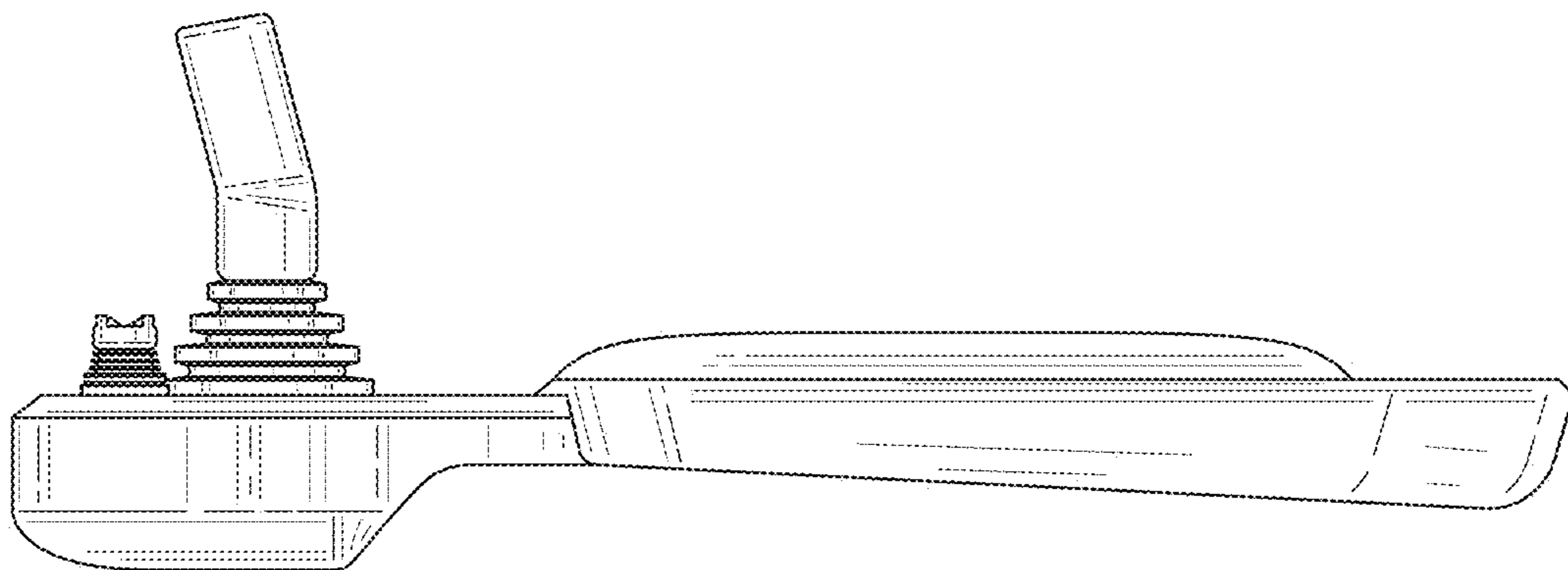


FIG. 4

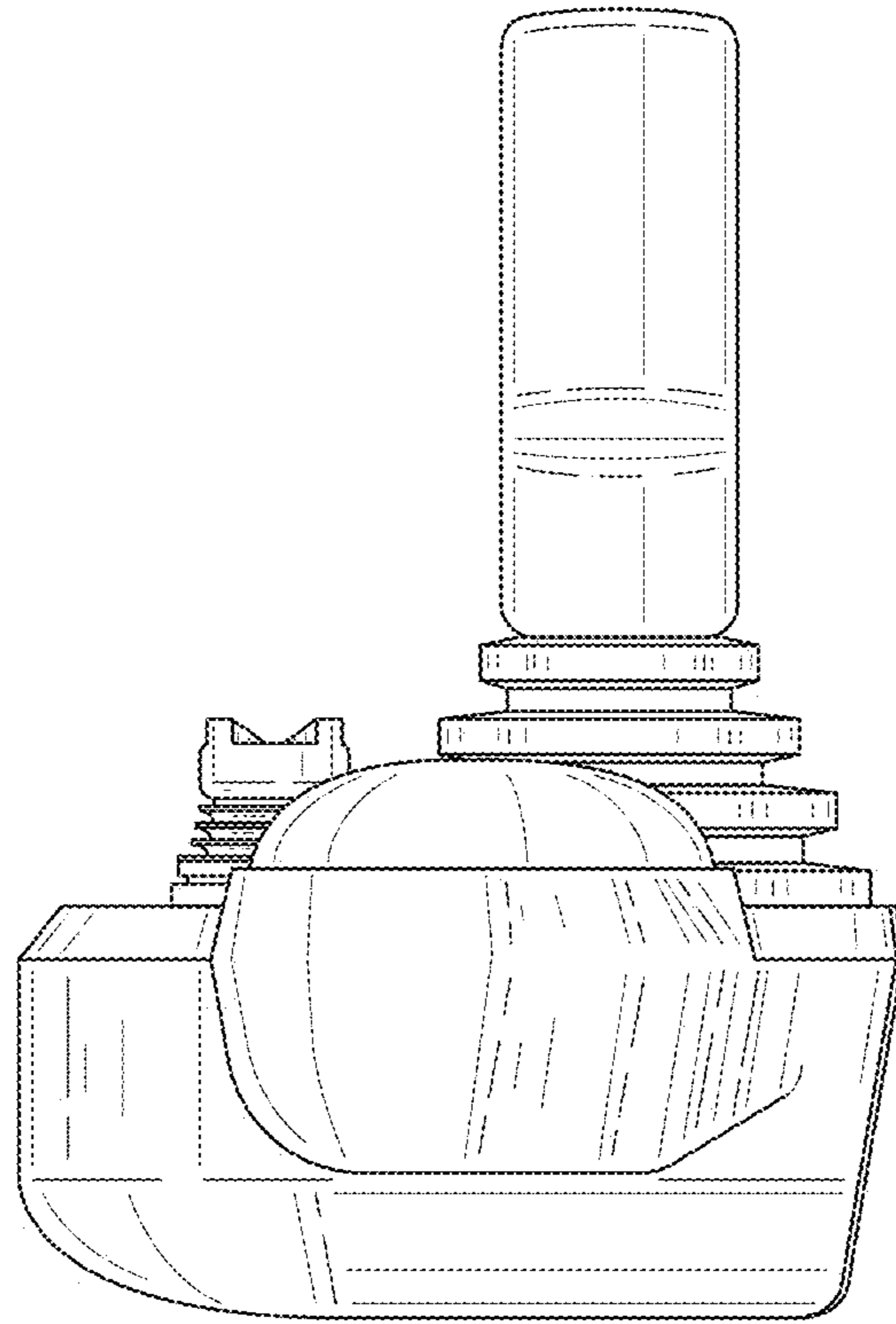


FIG. 5

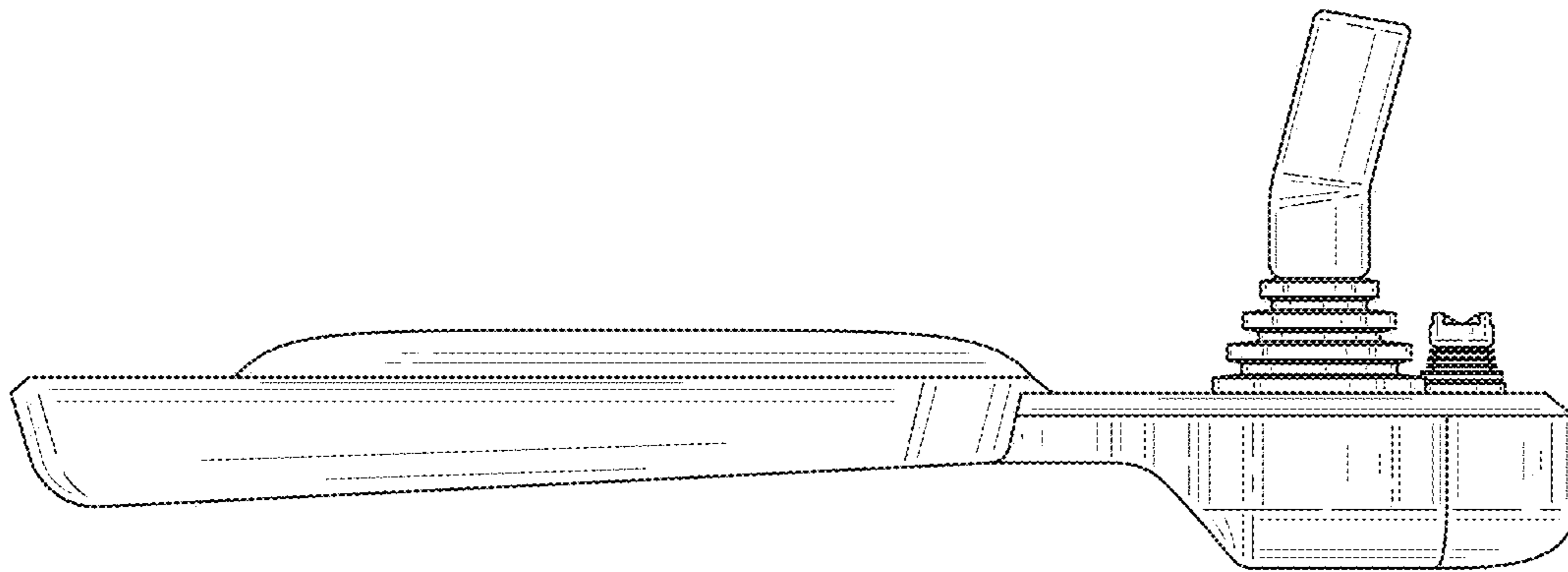


FIG. 6