



US00D910528S

(12) **United States Design Patent** (10) **Patent No.:** **US D910,528 S**
Thomas et al. (45) **Date of Patent:** **** Feb. 16, 2021**

(54) **BOAT**

(71) Applicant: **NEXT BLUE TECH**, Meyreuil (FR)

(72) Inventors: **Laurent Thomas**, Chateauneuf le rouge (FR); **Yannick Pennecot**, Roquevaire (FR)

(73) Assignee: **NEXT BLUE TECH**, Meyreuil (FR)

(**) Term: **15 Years**

(21) Appl. No.: **35/508,086**

(22) Filed: **Sep. 20, 2019**

(80) **Hague Agreement Data**

Int. Filing Date: **Sep. 20, 2019**

Int. Reg. No.: **DM/204587**

Int. Reg. Date: **Sep. 20, 2019**

Int. Reg. Pub. Date: **Dec. 13, 2019**

(30) **Foreign Application Priority Data**

Mar. 22, 2019 (EM) 006320438

(51) **LOC (13) Cl.** **12-06**

(52) **U.S. Cl.**
USPC **D12/307**

(58) **Field of Classification Search**
USPC D12/305, 307; D21/769, 770
CPC B63B 32/00; B63B 32/10; B63B 32/20;
B63B 32/40

See application file for complete search history.

(56) **References Cited**

U.S. PATENT DOCUMENTS

D215,505 S * 10/1969 Tierney D12/307
4,936,802 A * 6/1990 Ueno B63H 1/36
440/13
D351,445 S * 10/1994 Trapani D12/307
6,409,560 B1 * 6/2002 Austin B63B 32/10
441/74
D689,422 S * 9/2013 Zughuib B63H 1/36
D12/307
10,358,194 B1 * 7/2019 Wengreen B63B 32/10
2018/0170502 A1 * 6/2018 Terada B63H 21/17

* cited by examiner

Primary Examiner — George D. Kirschbaum

Assistant Examiner — Joseph J Kukella

(74) *Attorney, Agent, or Firm* — McNeese Wallace & Nurick LLC

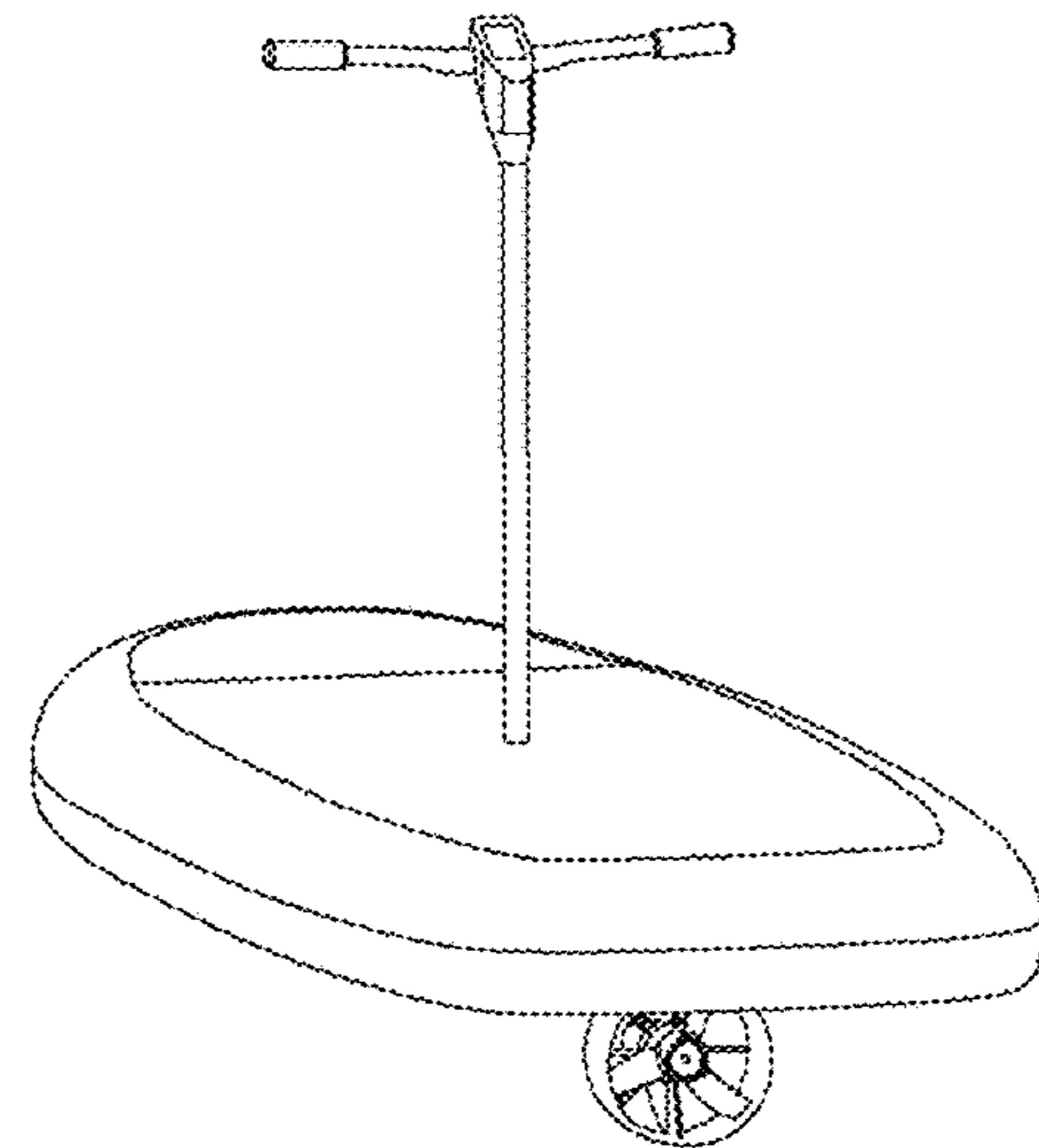
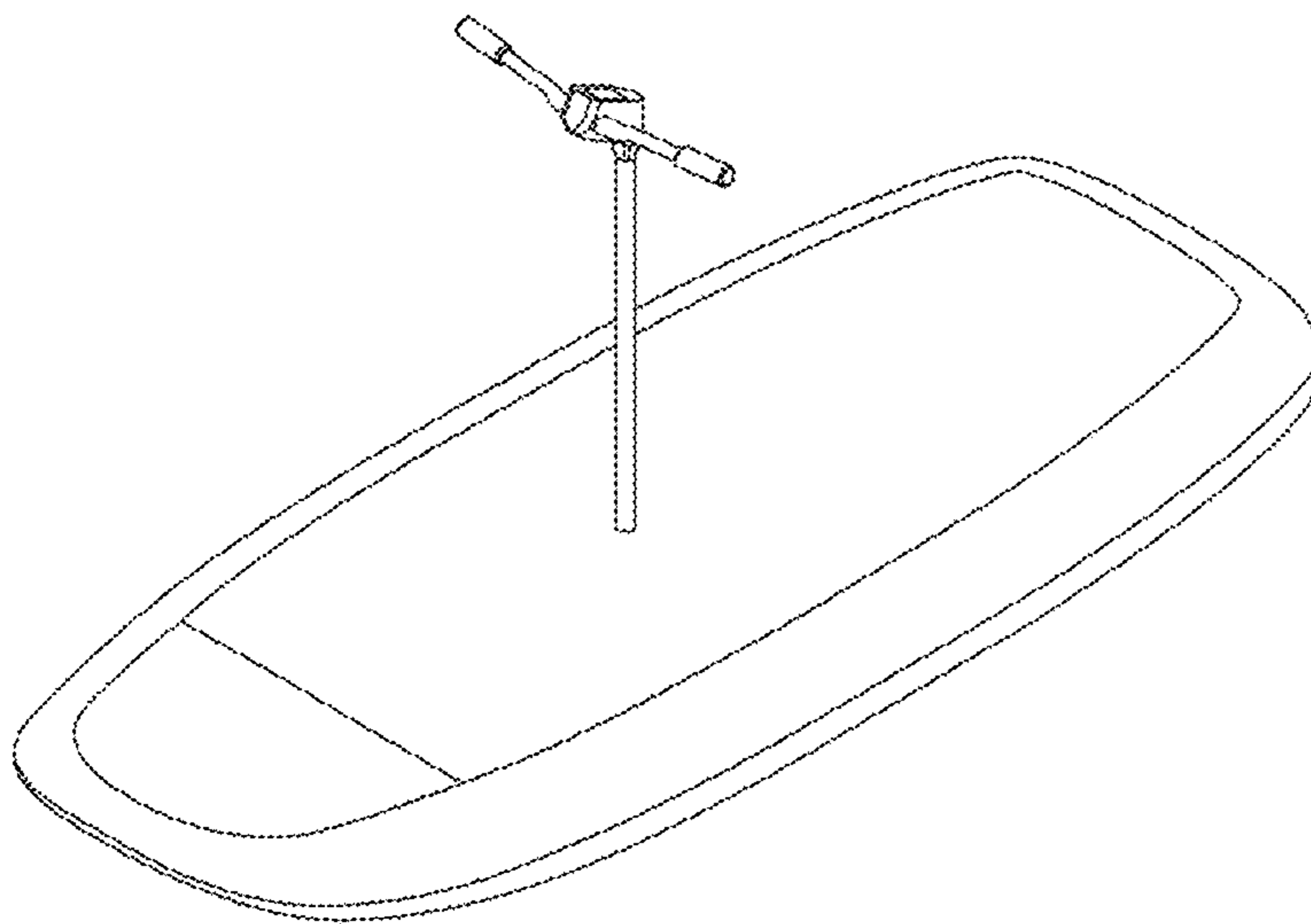
(57) **CLAIM**

The ornamental design for a boat, as shown and described.

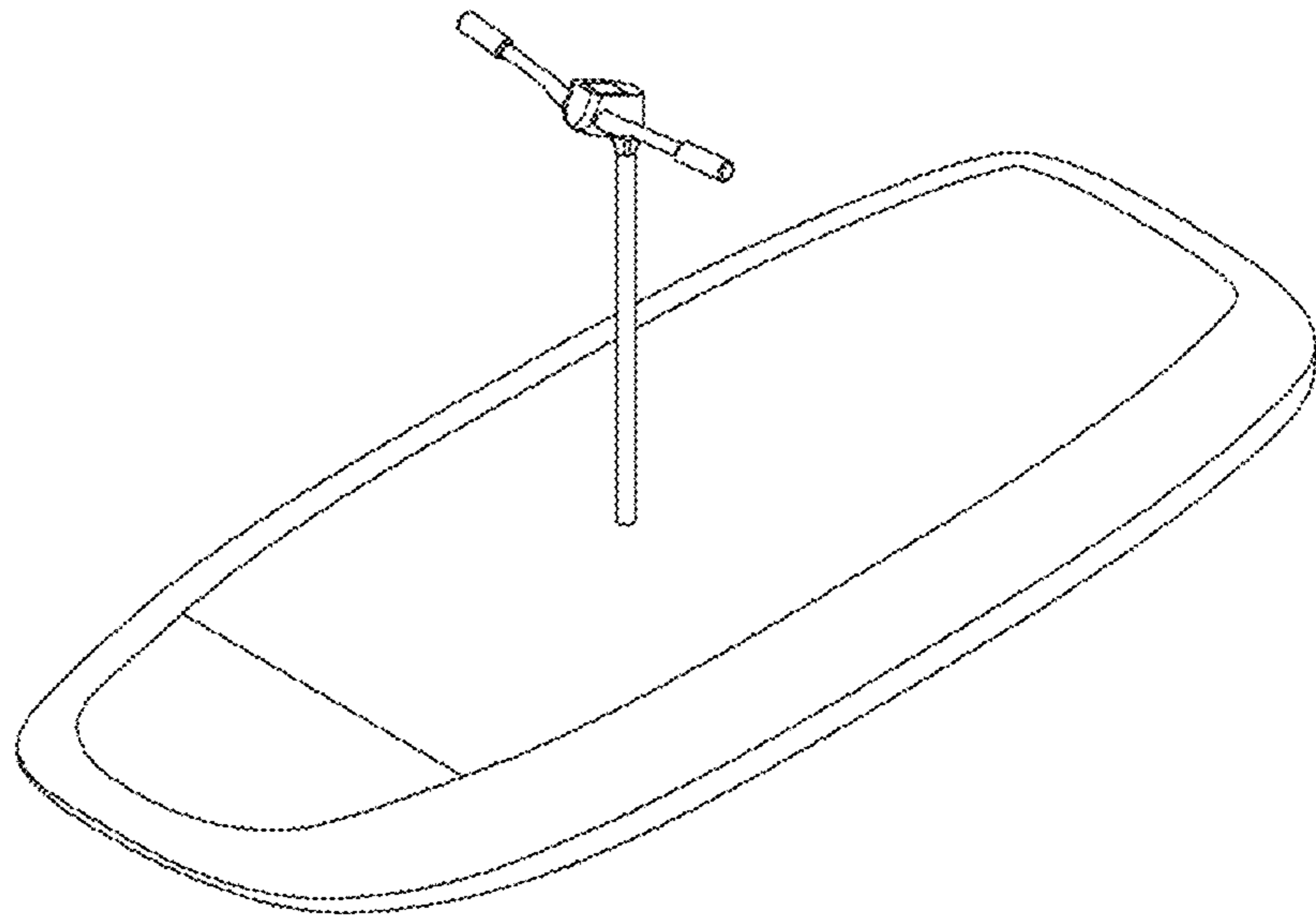
DESCRIPTION

- 1. Boat
- 1.1 : Perspective
- 1.2 : Perspective
- 1.3 : Front
- 1.4 : Back
- 1.5 : Top
- 1.6 : Bottom
- 1.7 : Right

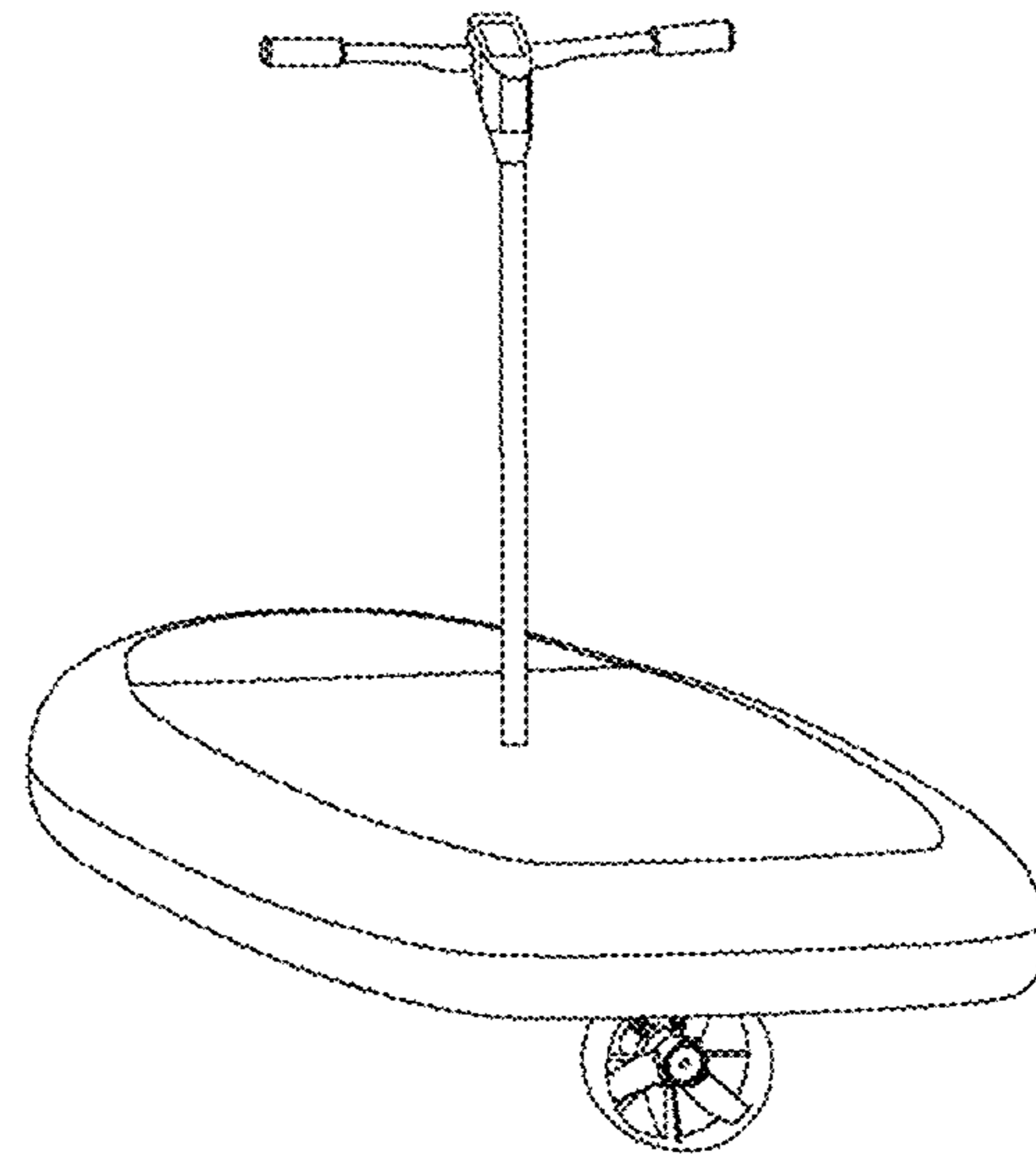
1 Claim, 7 Drawing Sheets



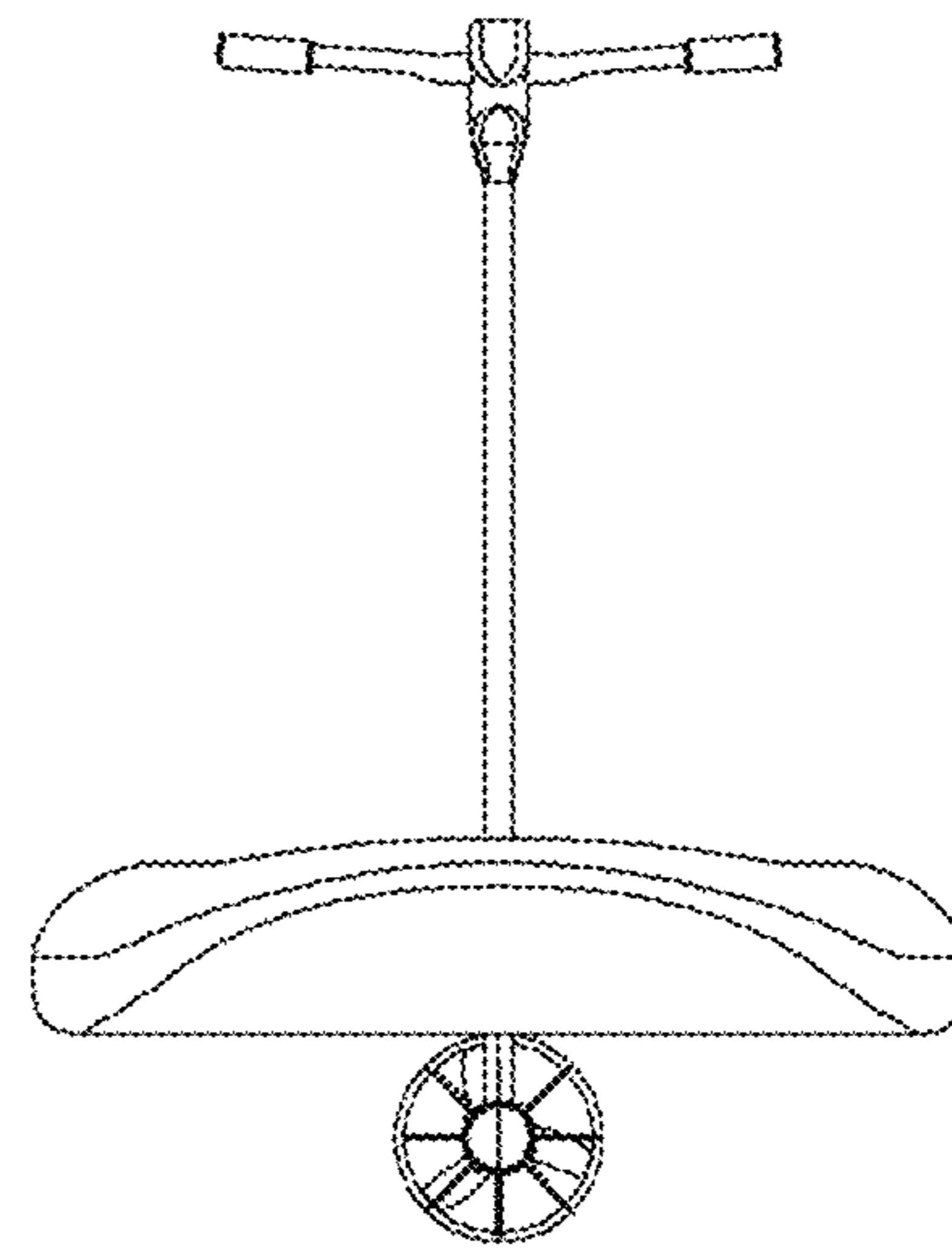
1.1



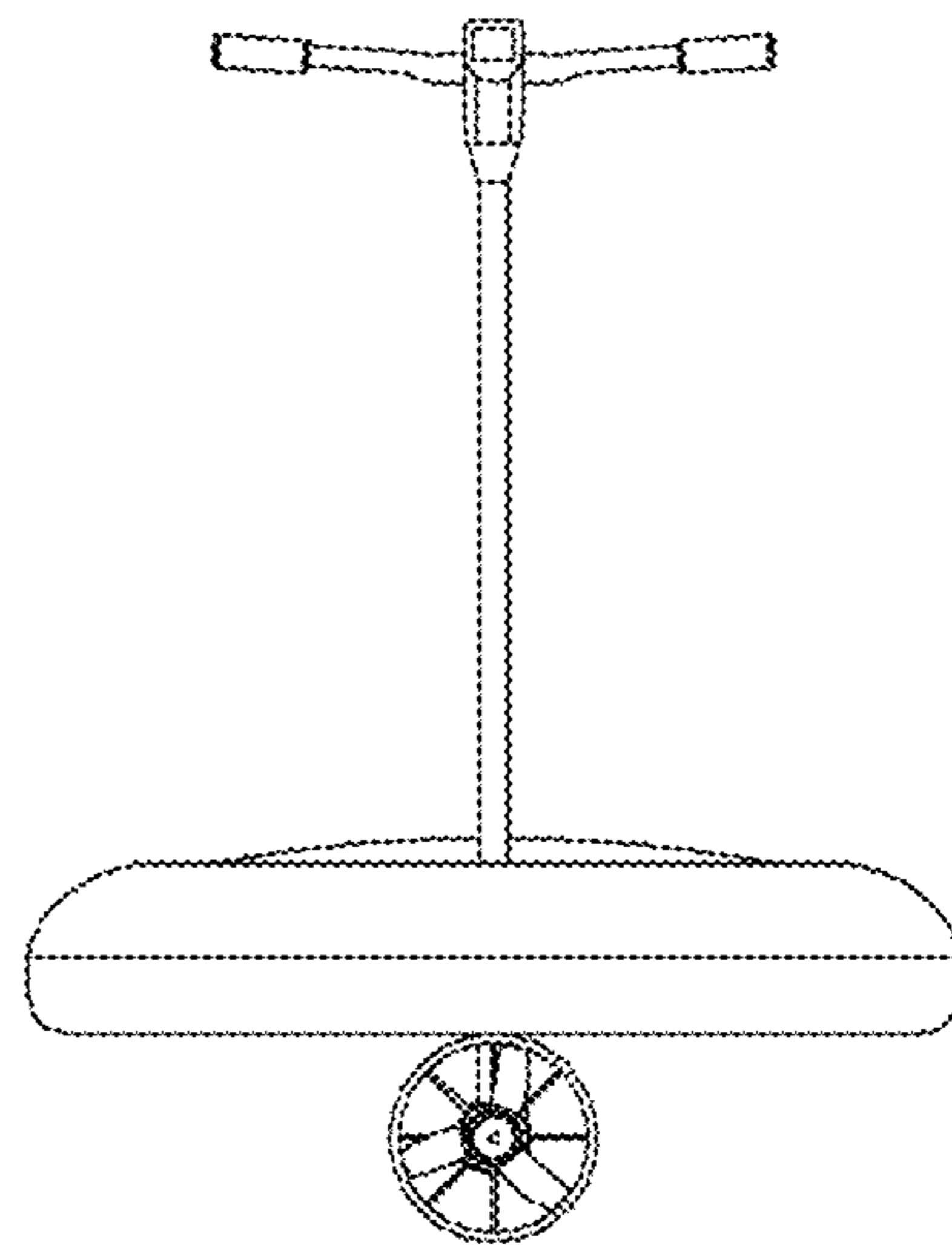
1.2



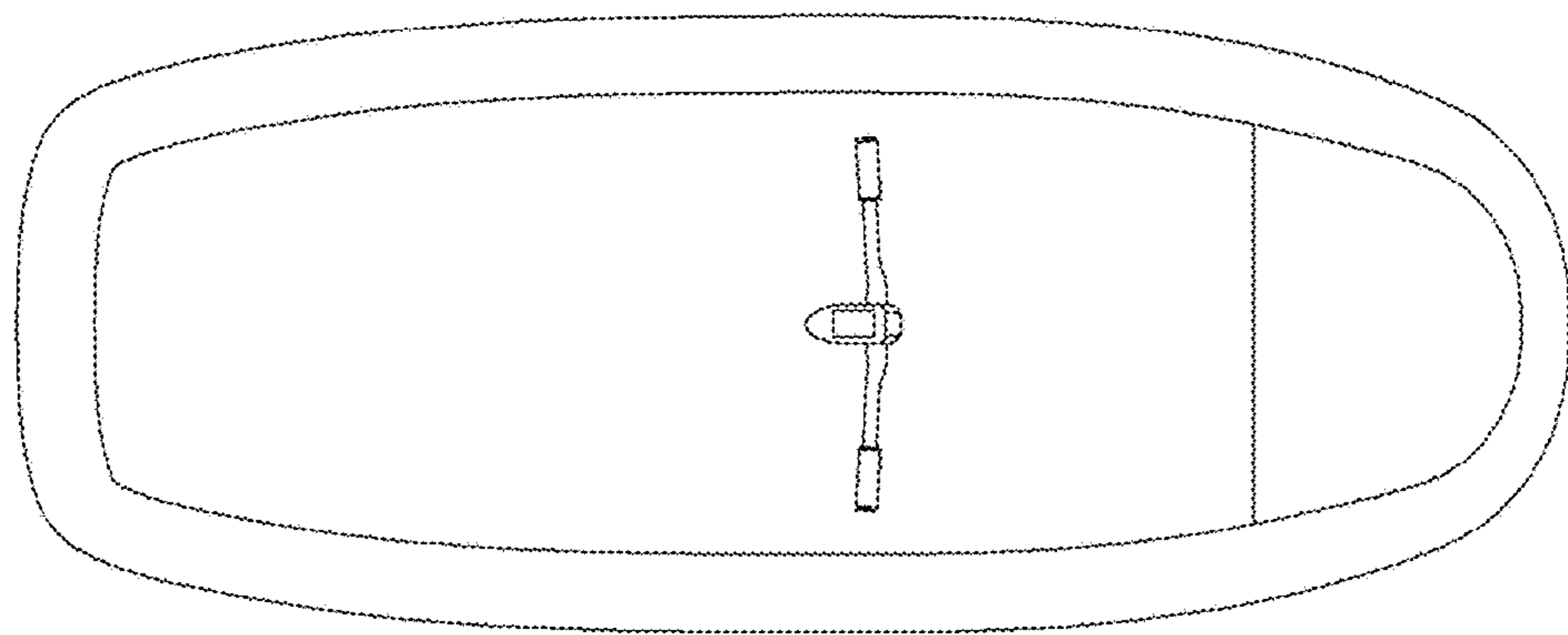
1.3



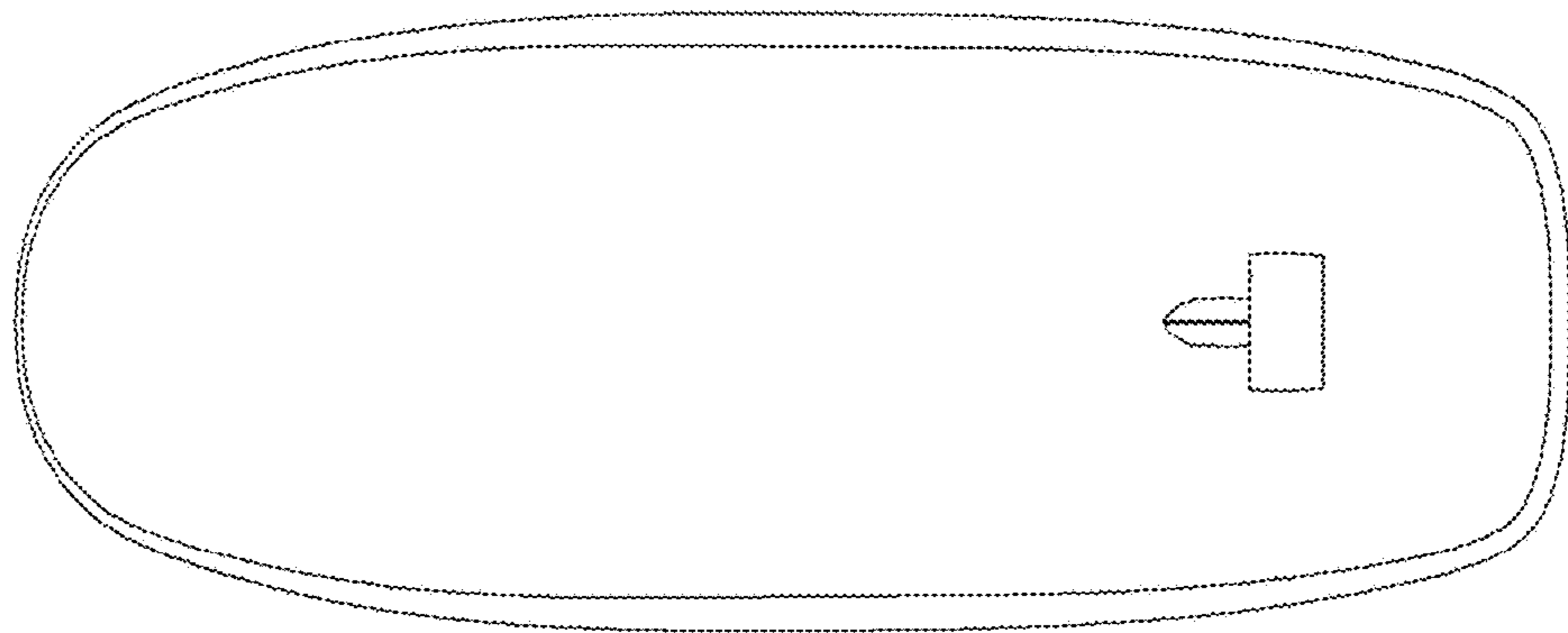
1.4



1.5



1.6



1.7

