



US00D910527S

(12) **United States Design Patent** (10) **Patent No.:** **US D910,527 S**
Barbre (45) **Date of Patent:** **** Feb. 16, 2021**

(54) **WHEEL RIM PROTECTOR**
(71) Applicant: **Dennis Barbre**, Highland, MI (US)
(72) Inventor: **Dennis Barbre**, Highland, MI (US)
(**) Term: **15 Years**
(21) Appl. No.: **29/663,718**
(22) Filed: **Sep. 18, 2018**
(51) **LOC (13) Cl.** **12-16**
(52) **U.S. Cl.**
USPC **D12/213**
(58) **Field of Classification Search**
USPC D12/204-213; D21/563
CPC B60B 7/00; B60B 7/02; B60B 7/04; B60B 7/01; B60B 7/06; B60B 3/02; B60B 3/04; B60B 3/06; B60B 3/10; B60B 1/00; B60B 1/08; B60B 1/10; B60B 1/12
See application file for complete search history.

D439,557 S * 3/2001 Phillips D12/213
D463,351 S * 9/2002 Lewis D12/213
D477,802 S * 7/2003 Williams D12/213
D479,179 S * 9/2003 Lian D12/213
D480,039 S * 9/2003 Williams D12/213
D486,438 S * 2/2004 Tuck D12/213
D490,762 S * 6/2004 Layman D12/213
D491,874 S * 6/2004 Cook D12/213
D504,652 S * 5/2005 Woodberry D12/213
D515,005 S * 2/2006 Oatis D12/213
D524,221 S * 7/2006 Jones D12/213
D528,963 S * 9/2006 Horn D12/213
D534,853 S * 1/2007 Apodaca D12/213
D537,401 S * 2/2007 Jones D12/213
D540,242 S * 4/2007 Holguin D12/213
7,448,694 B1 11/2008 Bentley
7,597,403 B1 10/2009 Henry
D632,628 S * 2/2011 Mitchell, Jr. D12/213
D647,023 S * 10/2011 Warner D12/213

(Continued)

Primary Examiner — Stacia A Cadmus

(57) **CLAIM**

The ornamental design for a wheel rim protector, as shown and described.

DESCRIPTION

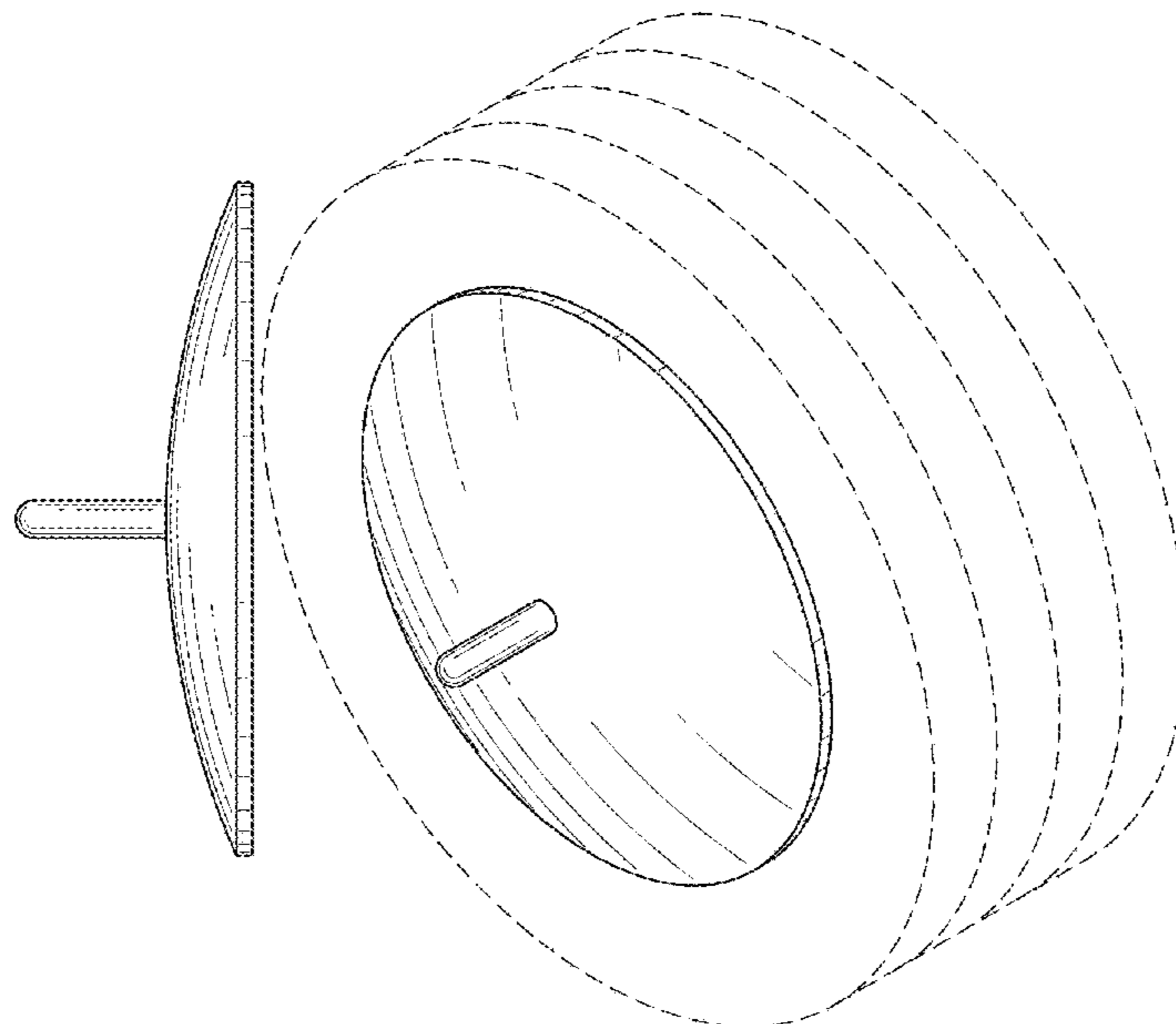
FIG. 1 is a front view of a wheel rim protector showing my new design;
FIG. 2 is a rear view of the wheel rim protector;
FIG. 3 is a right side view of the wheel rim protector;
FIG. 4 is a left side view of the wheel rim protector;
FIG. 5 is a top view of the wheel rim protector;
FIG. 6 is a bottom view of the wheel rim protector;
FIG. 7 is a top rear side perspective view of the wheel rim protector; and,
FIG. 8 is a top front side perspective view of the wheel rim protector in use.
The broken lines in FIG. 8 illustrate environmental structure forming no part of the claimed design.

1 Claim, 4 Drawing Sheets

(56) **References Cited**

U.S. PATENT DOCUMENTS

4,784,440 A 11/1988 Fair
D305,635 S * 1/1990 Pope D12/213
D336,460 S * 6/1993 Marquez D12/213
D337,090 S * 7/1993 Wilfong, III D12/213
D338,185 S * 8/1993 Dowd D12/213
D340,220 S * 10/1993 Rocamora D12/213
D340,439 S * 10/1993 Carbone D12/213
5,423,599 A * 6/1995 Sherod B60B 7/00
301/37.103
D377,162 S * 1/1997 Maynard D12/213
D377,332 S * 1/1997 Cruz, III D12/213
D378,364 S * 3/1997 Clifton D12/213
D379,172 S * 5/1997 Hale D12/213
D390,181 S * 2/1998 Morrison D12/213
5,766,358 A 6/1998 Oliver
D418,102 S 12/1999 Schehr
D434,714 S * 12/2000 White D12/213



(56)

References Cited

U.S. PATENT DOCUMENTS

D659,629	S *	5/2012	Williams	D12/213
D663,674	S *	7/2012	Zane	D12/213
D668,201	S *	10/2012	Zumhof	D12/213
D683,690	S *	6/2013	Zumhof	D12/213
8,496,300	B2	7/2013	Nebel	
8,556,351	B1	10/2013	Uhlin	
D720,277	S *	12/2014	Dakin	D12/213
D796,412	S *	9/2017	Aker, Jr.	D12/213
D826,829	S *	8/2018	Floyd, Sr.	D12/213
D844,524	S *	4/2019	Fleck	D12/204
D871,304	S *	12/2019	Pritchard	D12/213
2008/0024002	A1	1/2008	Guthrie	
2010/0096906	A1	4/2010	Brown	
2013/0033093	A1 *	2/2013	Santana	B60B 7/04 301/37.104
2015/0104577	A1	4/2015	Doyal	
2015/0239287	A1 *	8/2015	Young	B60B 7/06 301/37.102

* cited by examiner

FIG. 1

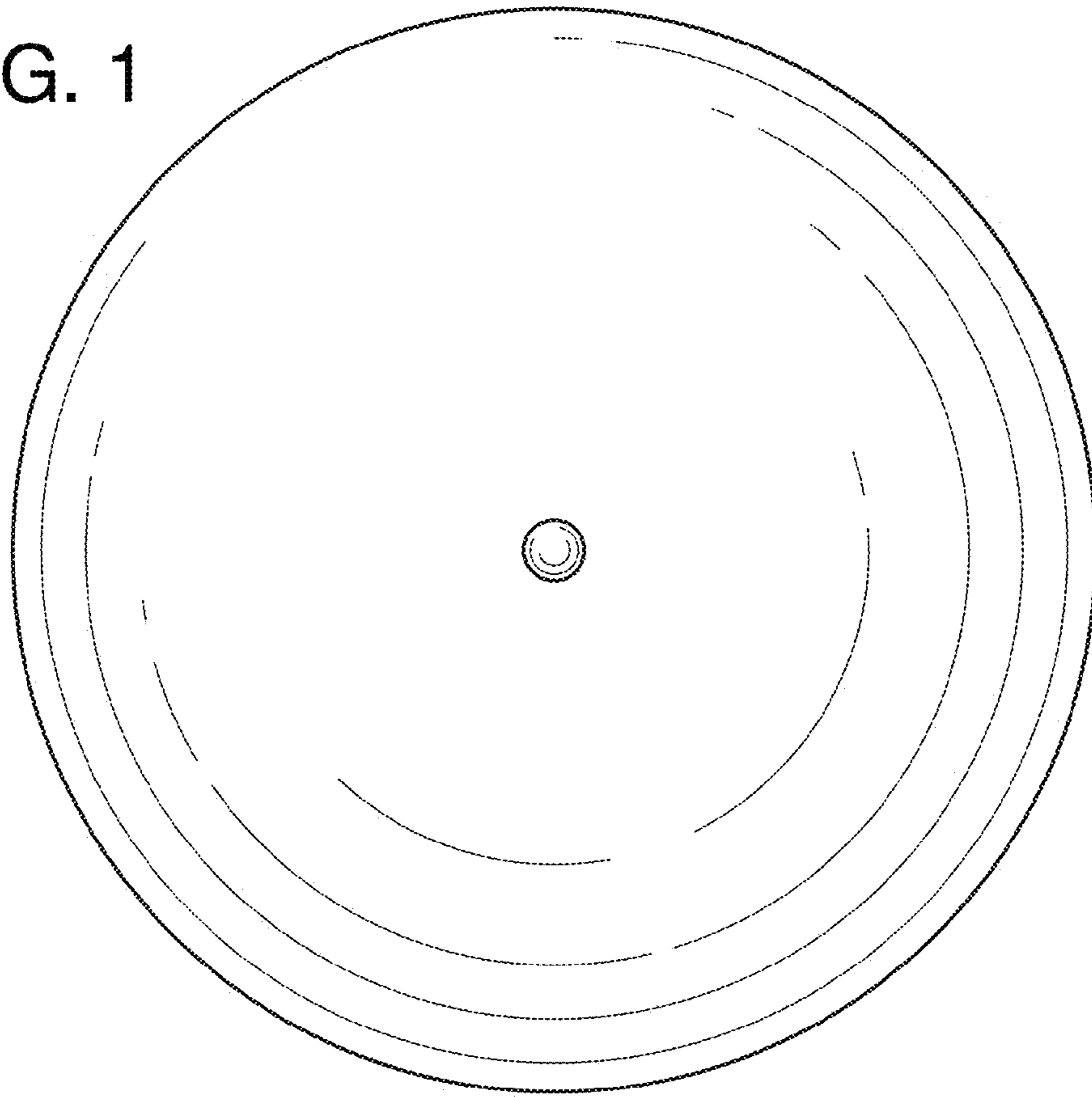


FIG. 2

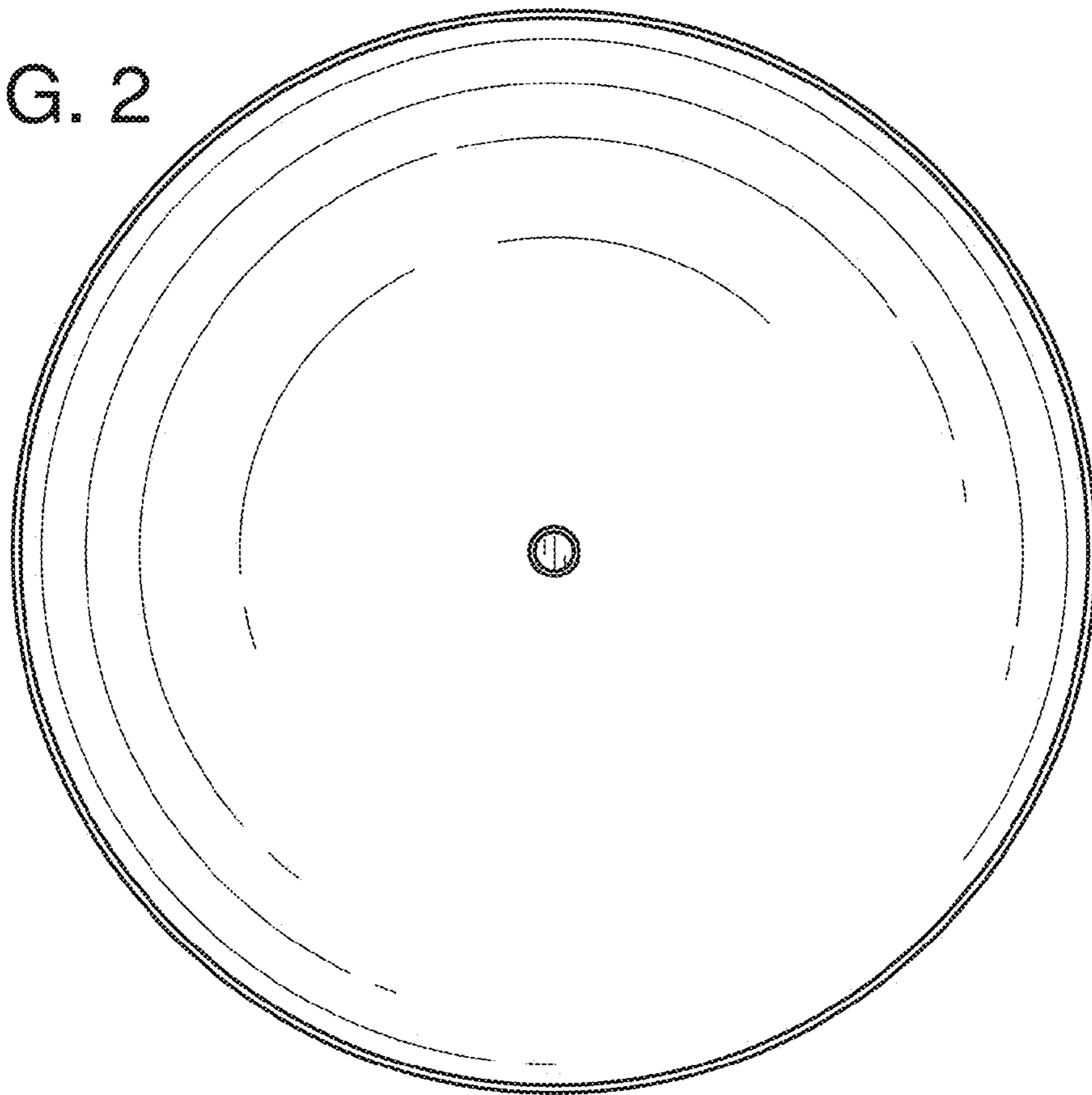


FIG. 3

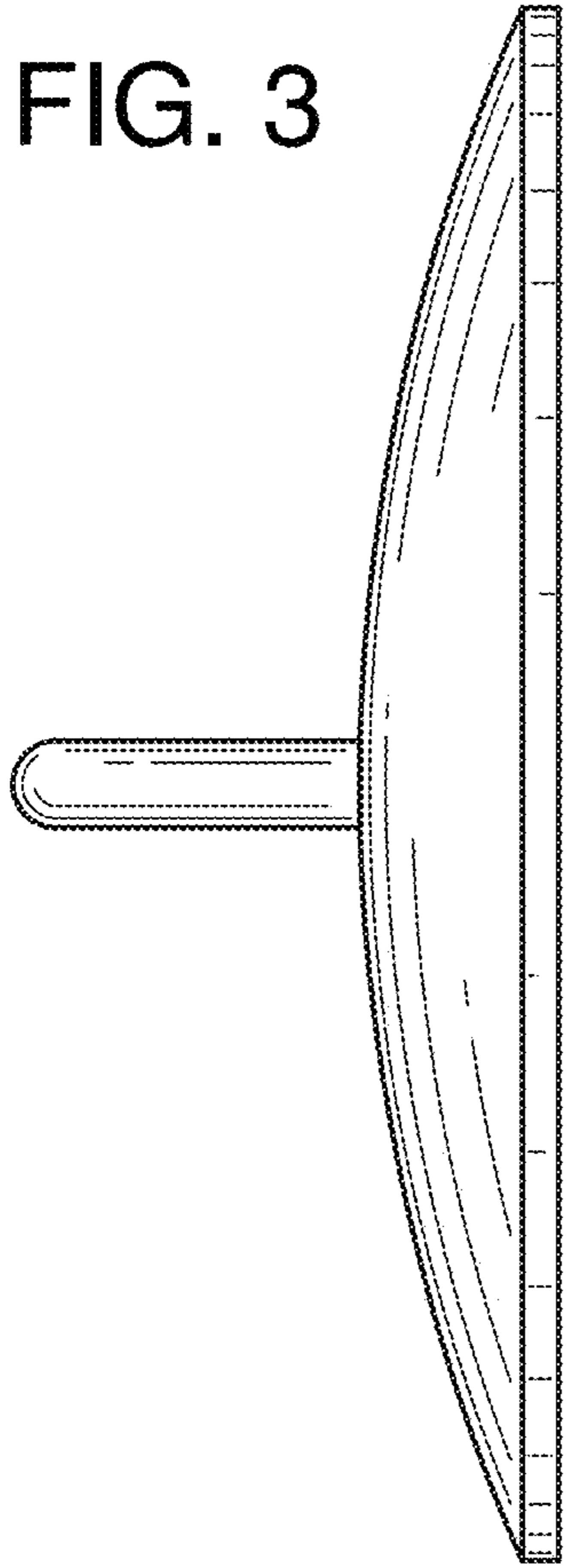


FIG. 4

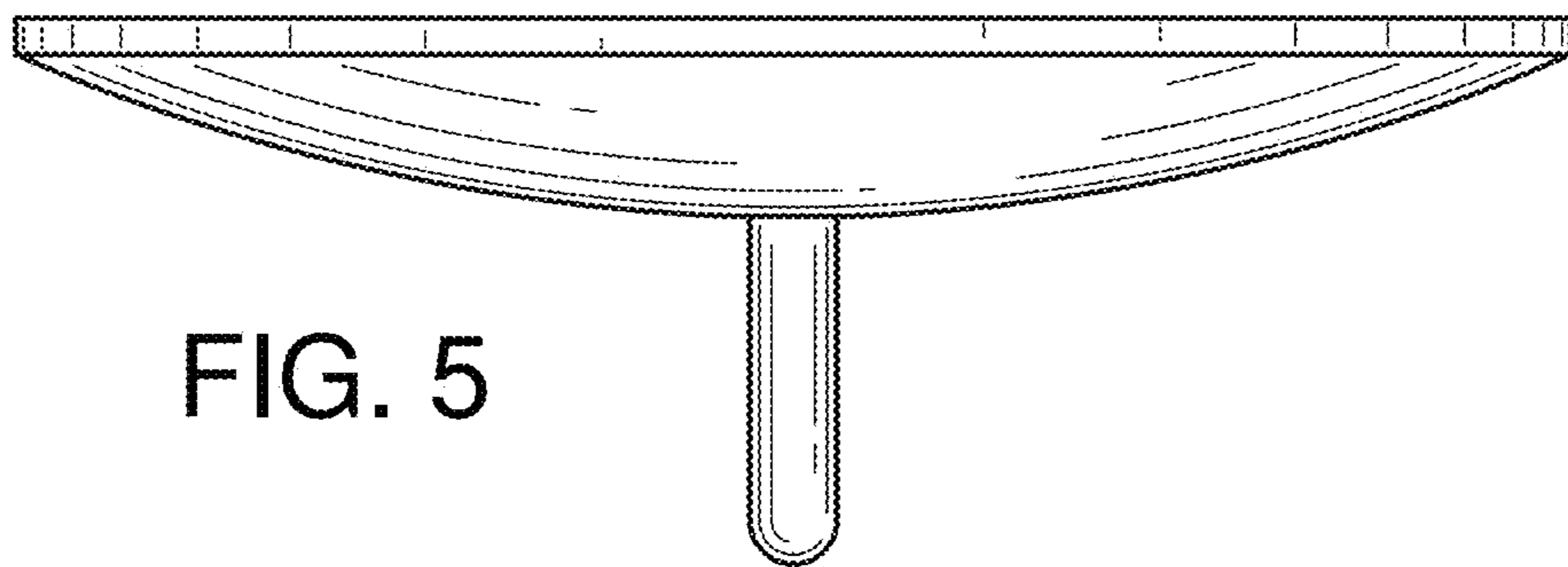
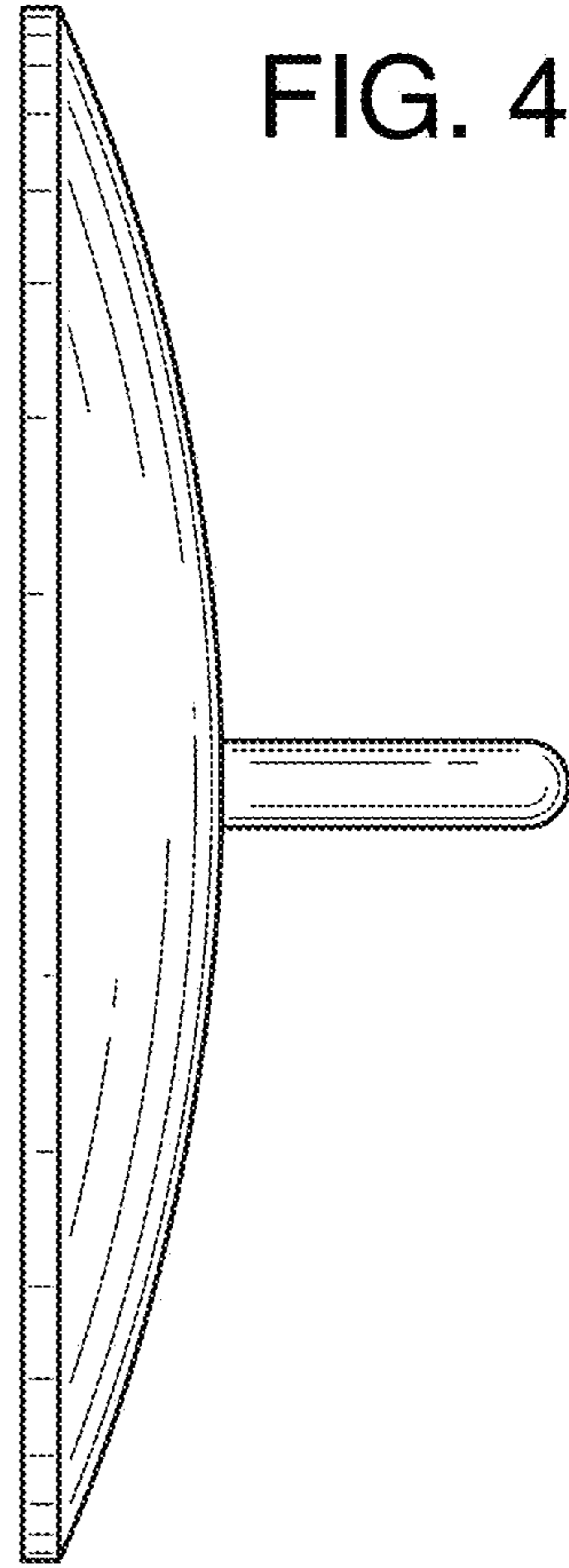


FIG. 5

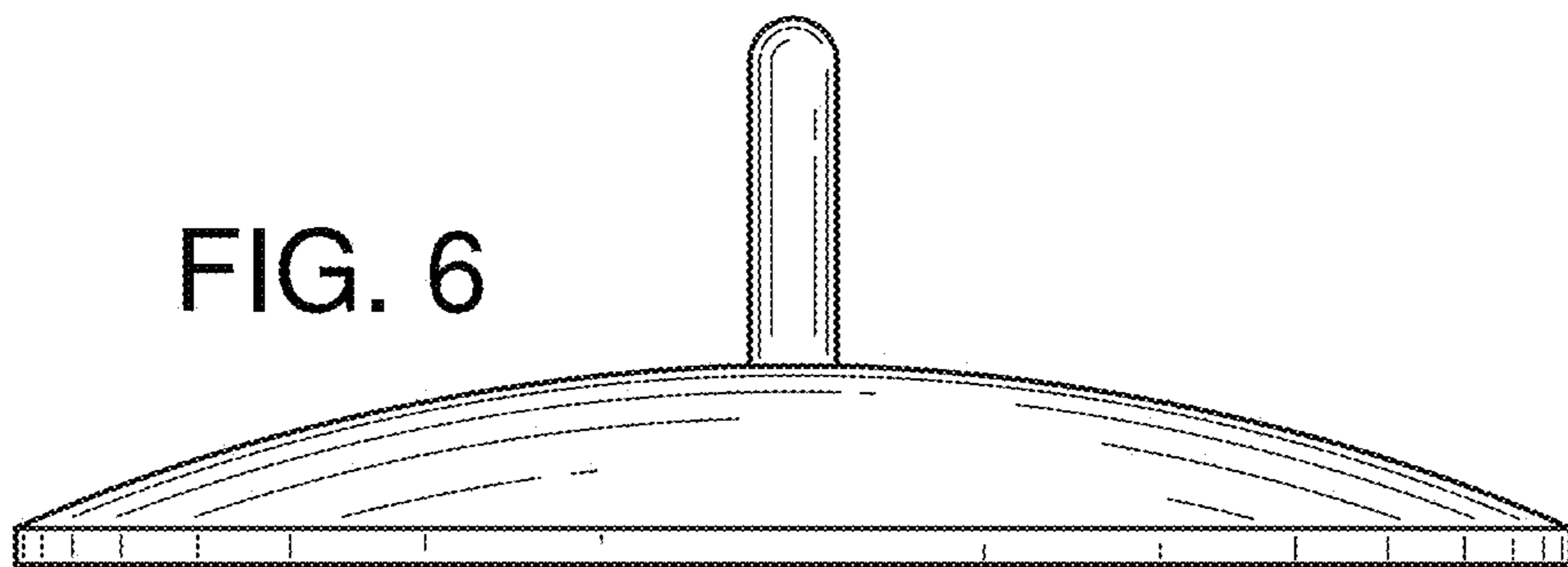


FIG. 6

FIG. 7

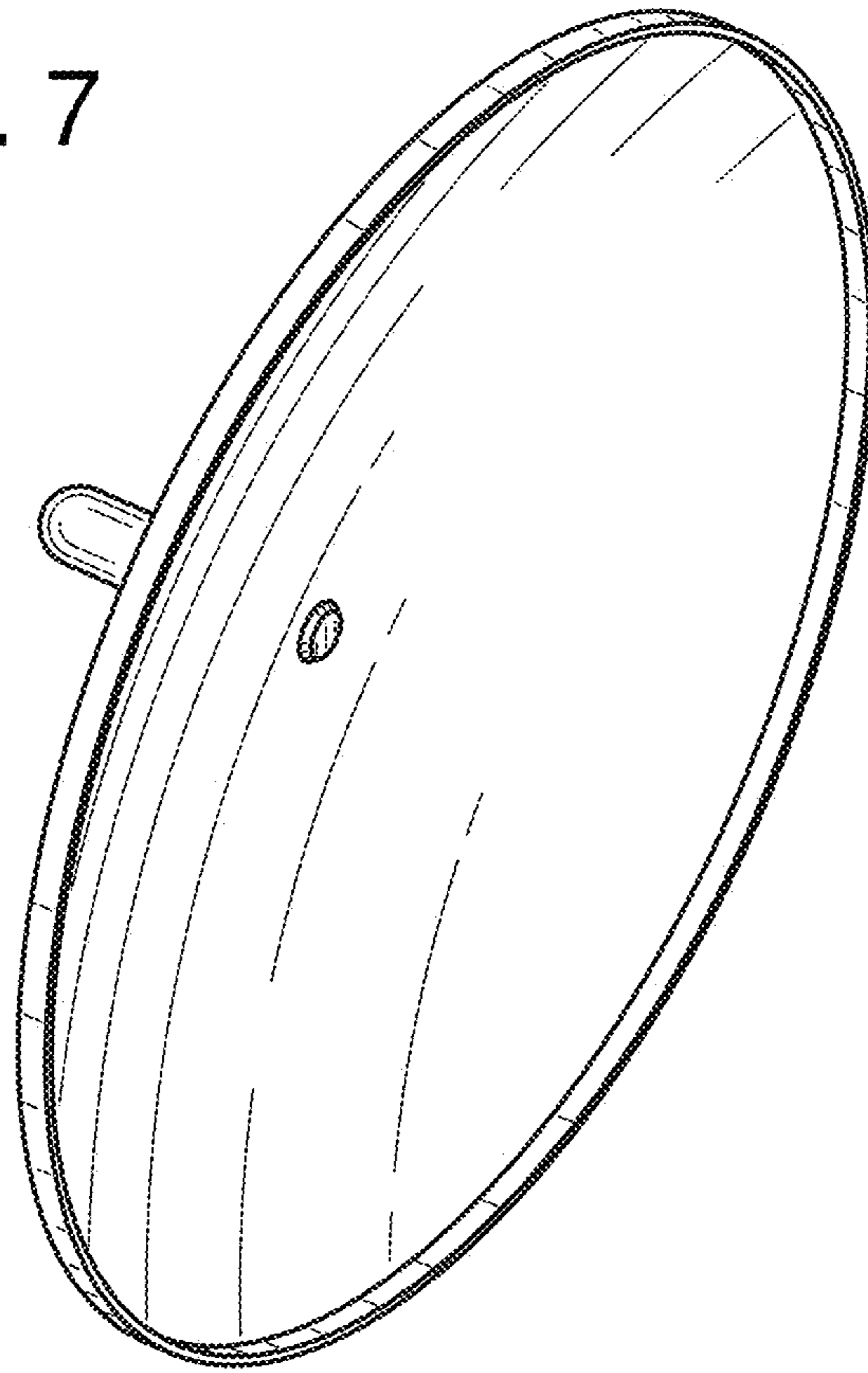


FIG. 8

