



US00D910521S

(12) **United States Design Patent** (10) **Patent No.:** **US D910,521 S**
Akrapovic et al. (45) **Date of Patent:** **** Feb. 16, 2021**

(54) **MOTORBIKE EXHAUST MUFFLER**

(71) Applicant: **Igor Akrapovic**, Ljubljana (SI)

(72) Inventors: **Igor Akrapovic**, Ljubljana (SI); **Marko Besal**, Šmarješke Toplice (SI); **Alojz Trstenjak**, Ljubljana (SI); **Zane Sedevčič**, Smartno Pri Litiji (SI); **Ermin Kosovel**, Zgornje Gorje (SI)

(**) Term: **15 Years**

(21) Appl. No.: **35/507,961**

(22) Filed: **Sep. 3, 2019**

(80) **Hague Agreement Data**

Int. Filing Date: **Sep. 3, 2019**
Int. Reg. No.: **DM/204426**
Int. Reg. Date: **Sep. 3, 2019**
Int. Reg. Pub. Date: **Dec. 6, 2019**

(30) **Foreign Application Priority Data**

Mar. 19, 2019 (EM) 006314308

(51) **LOC (13) Cl.** **12-16**

(52) **U.S. Cl.**
USPC **D12/194**

(58) **Field of Classification Search**

USPC D12/194; D15/5
CPC ... F01N 1/04; F01N 1/24; F01N 13/08; F01N 13/082; F01N 13/085; F01N 13/087
See application file for complete search history.

(56) **References Cited**

U.S. PATENT DOCUMENTS

D246,038 S * 10/1977 Moller D12/194
6,431,311 B1 * 8/2002 Brown F01N 13/082
181/227
D467,210 S * 12/2002 Yu D12/194

D480,030 S * 9/2003 Gilli D12/194
D490,036 S * 5/2004 Cho D12/194
D495,642 S * 9/2004 Luttig D12/194
D496,313 S * 9/2004 Suzuki D12/194
D541,718 S * 5/2007 Emler D12/194
D550,134 S * 9/2007 Akrapovic D12/194
D578,050 S * 10/2008 Hsu D12/194
D589,422 S * 3/2009 Davis, Jr. D12/194
D654,839 S * 2/2012 Contreras D12/194
8,439,159 B1 * 5/2013 Borla F01N 1/083
181/257
D689,420 S * 9/2013 Chou D12/194
D709,012 S * 7/2014 Chou D12/194
D712,812 S * 9/2014 Verlengiere D12/194
D762,540 S * 8/2016 Yasuhara D12/194
D767,456 S * 9/2016 Finnie D12/194
D773,970 S * 12/2016 Kobayashi D12/194
2008/0121456 A1 * 5/2008 Davis F01N 13/20
180/309

* cited by examiner

Primary Examiner — Darlington Ly

(74) *Attorney, Agent, or Firm* — Olson & Cepuritis, Ltd.;
Shawn E. Duckworth

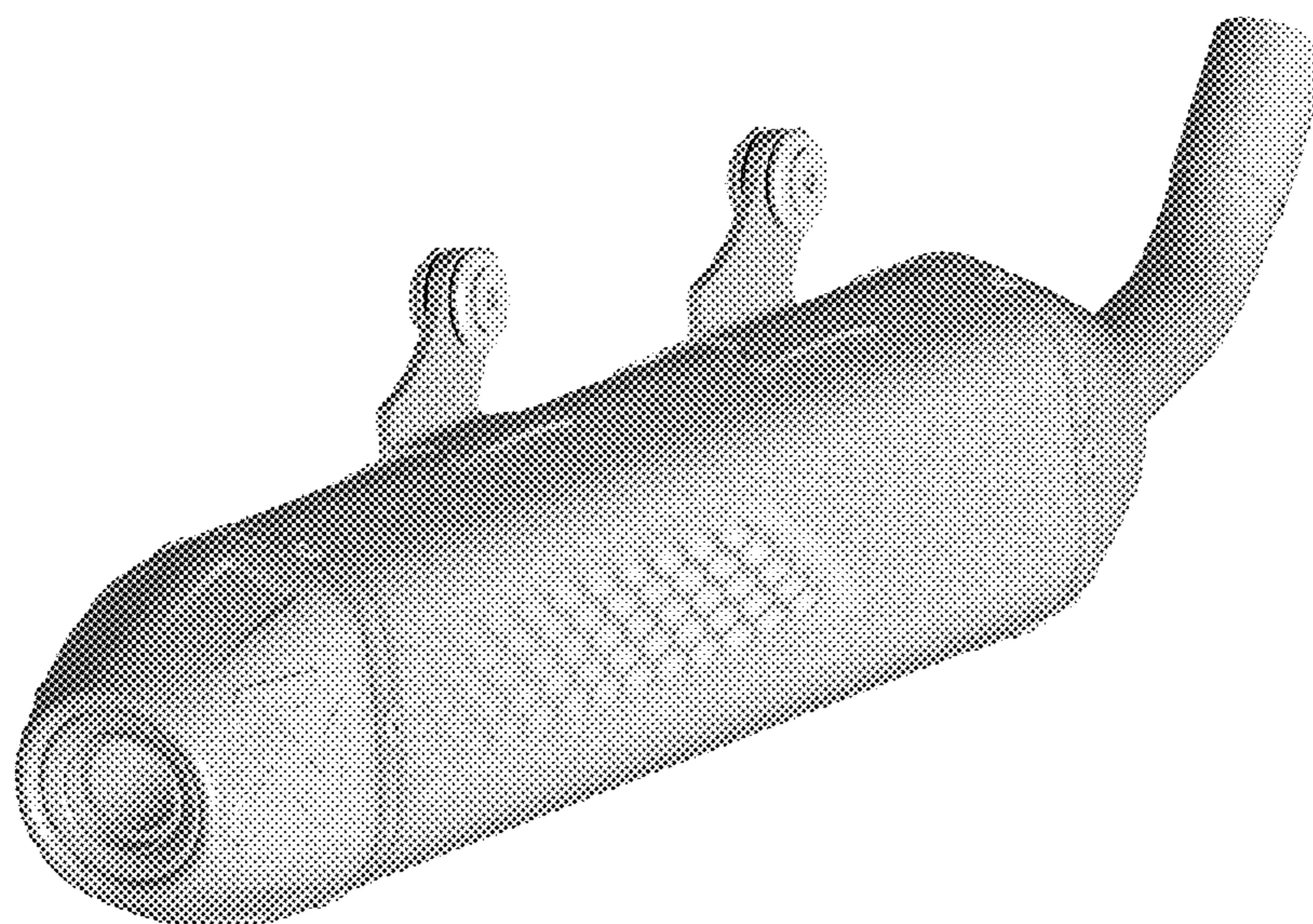
(57) **CLAIM**

The ornamental design for a motorbike exhaust muffler, as shown and described.

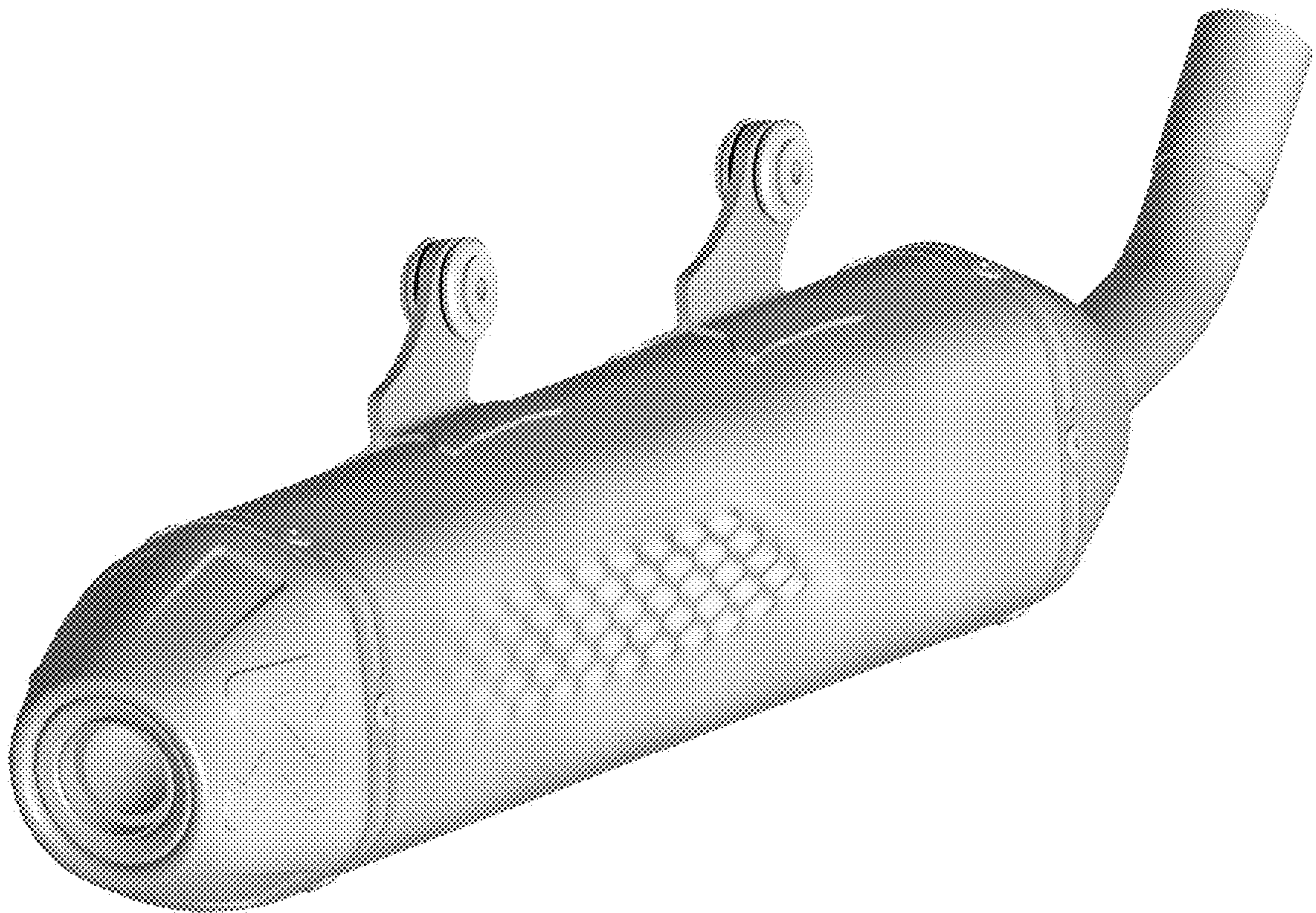
DESCRIPTION

1. Motorbike exhaust muffler
1.1 is a top, rear, and right side perspective view of a motorbike exhaust muffler showing our new design;
1.2 is a right side elevation view thereof;
1.3 is a left side elevation view thereof;
1.4 is a top, front, and right side perspective view thereof;
1.5 is a top plan view thereof;
1.6 is a bottom plan view thereof;
1.7 is a rear elevation view thereof;
1.8 is a top, rear, and left side perspective view thereof; and
1.9 is a front elevation view thereof.

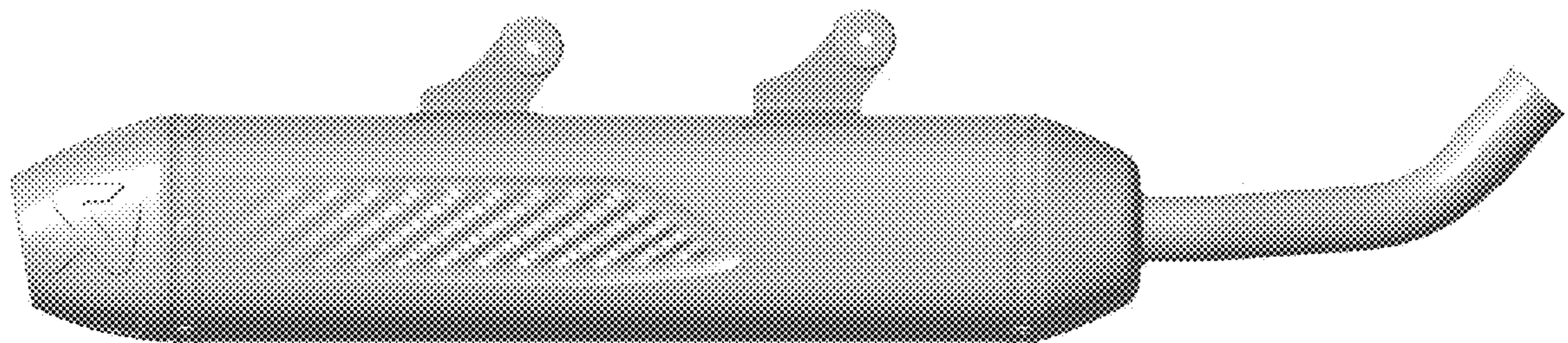
1 Claim, 9 Drawing Sheets



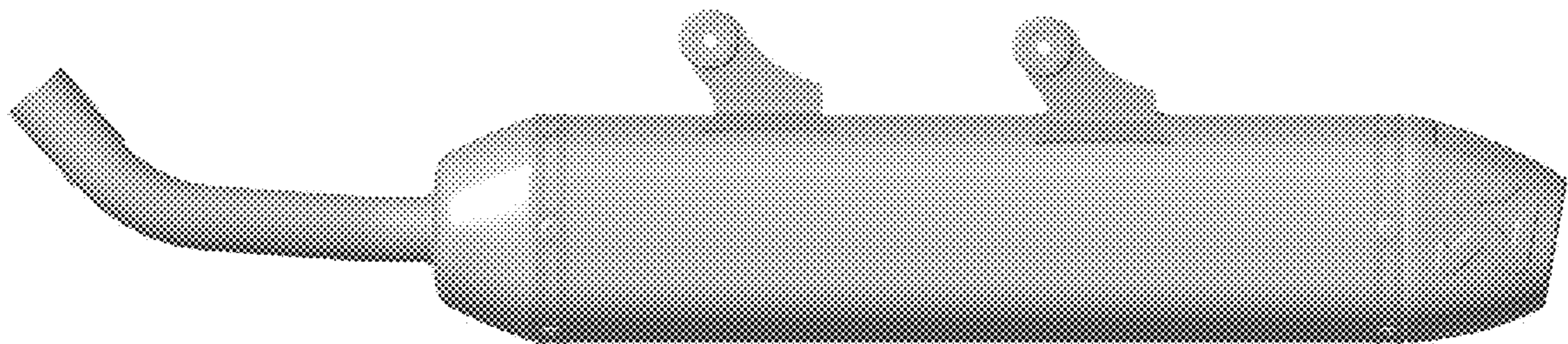
1.1



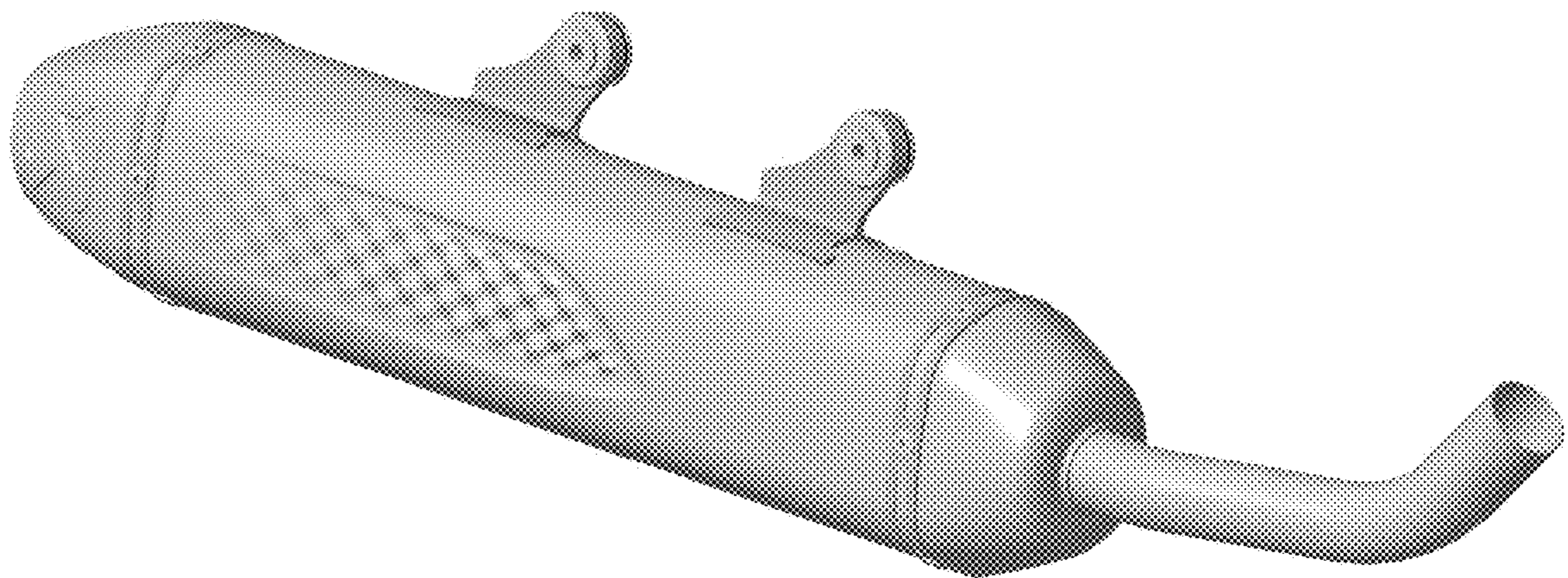
1.2



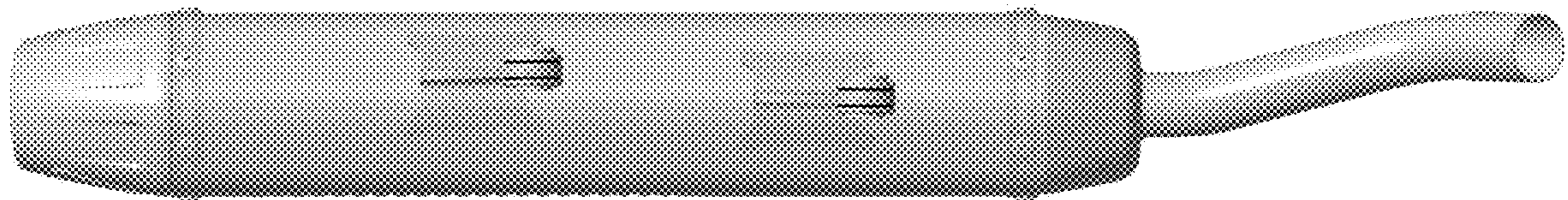
1.3



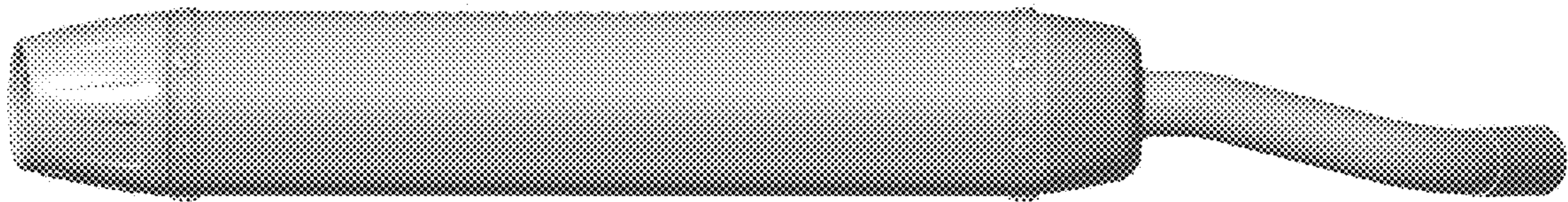
1.4



1.5



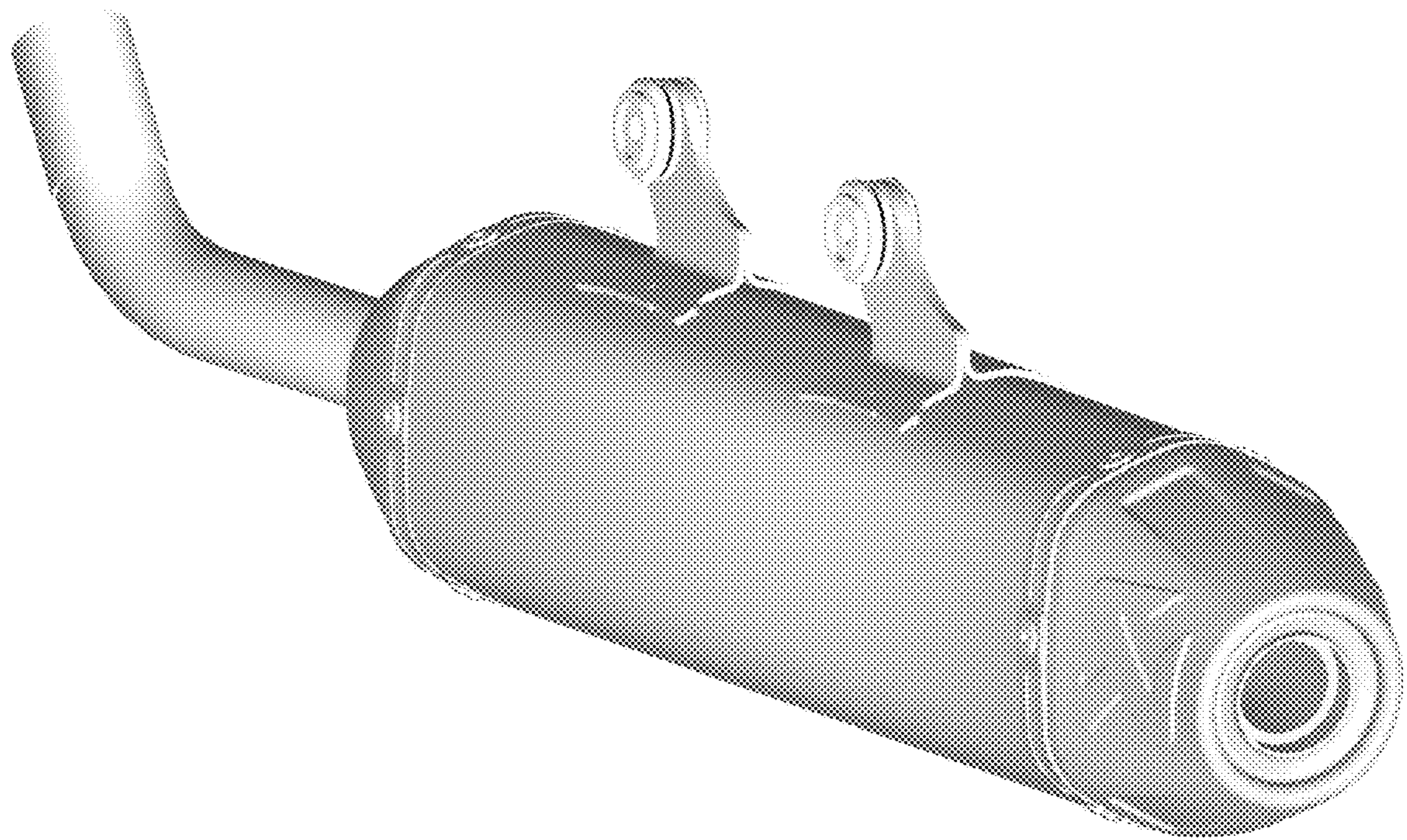
1.6



1.7



1.8



1.9

