



US00D910519S

(12) **United States Design Patent** (10) **Patent No.:** **US D910,519 S**
Bernal et al. (45) **Date of Patent:** **** Feb. 16, 2021**

(54) **FRONT AIR OUTLET**

(71) Applicant: **POLESTAR PERFORMANCE AB,**
Gothenburg (SE)

(72) Inventors: **Juan Pablo Bernal,** Gothenburg (SE);
Lisa Reeves, Torslanda (SE)

(73) Assignee: **POLESTAR PERFORMANCE AB,**
Gothenburg (SE)

(**) Term: **15 Years**

(21) Appl. No.: **29/690,099**

(22) Filed: **May 6, 2019**

(30) **Foreign Application Priority Data**

Nov. 6, 2018 (EM) 005818275-0006

(51) **LOC (13) Cl.** **12-16**

(52) **U.S. Cl.**
USPC **D12/192**

(58) **Field of Classification Search**
USPC D12/415, 192, 400, 195, 190, 416-419,
D12/421-426.1, 196; D23/386, 387, 388,
D23/392, 393, 397, 399, 400, 406, 411,
D23/412, 354, 327, 390
CPC .. F24F 13/15; F24F 13/20; F24F 13/14; F24F
13/075; F24F 7/00; F24F 7/02; B60H
1/3421; B60H 1/3428
See application file for complete search history.

(56) **References Cited**

U.S. PATENT DOCUMENTS

D542,898 S * 5/2007 Juraschek D12/192
D603,782 S * 11/2009 Wilhelm D12/415
D606,183 S * 12/2009 Rosenbohm D12/16
D611,889 S * 3/2010 Wilhelm D12/415
D814,013 S * 3/2018 Ingenlath D23/393
D829,320 S * 9/2018 Terai D23/387

10,106,014 B2 * 10/2018 Uchiyama B60H 1/3421
2005/0056037 A1 * 3/2005 Park F24F 13/20
62/262
2011/0237176 A1 * 9/2011 Shibata B60H 1/3428
454/330
2014/0080399 A1 * 3/2014 Takai B60H 1/3421
454/155
2015/0065031 A1 * 3/2015 Shibata B60H 1/3421
454/322
2015/0328959 A1 * 11/2015 Suzuki F24F 13/15
454/155
2016/0009163 A1 * 1/2016 Terai B60H 1/3421
454/155
2017/0259649 A1 * 9/2017 Shibata B60H 1/3421
2019/0001790 A1 * 1/2019 Demerath B60H 1/3421
2019/0030982 A1 * 1/2019 Shibata B60H 1/3421

(Continued)

Primary Examiner — Susan E Krakower

Assistant Examiner — Jerry Shiuan-Hua Hsu

(74) *Attorney, Agent, or Firm* — Berenato & White, LLC

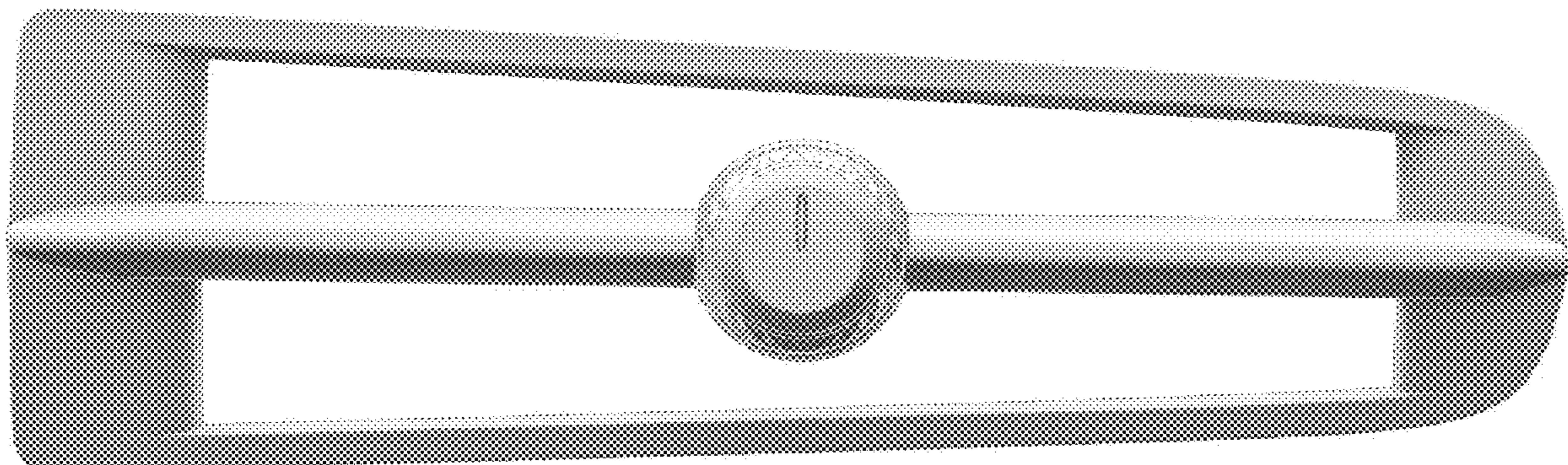
(57) **CLAIM**

The ornamental design for a front air outlet, as shown and described.

DESCRIPTION

FIG. 1 is a front view of a front air outlet showing our new design;
FIG. 2 is a front left side perspective view thereof;
FIG. 3 is a right side view thereof, enlarged for ease of illustration;
FIG. 4 is a left side view thereof, enlarged for ease of illustration;
FIG. 5 is a right rear side perspective view thereof, enlarged for ease of illustration;
FIG. 6 is a rear side view thereof; and,
FIG. 7 is a top view thereof.
The broken lines illustrate portions of the front air outlet that form no part of the claimed design.

1 Claim, 7 Drawing Sheets



(56)

References Cited

U.S. PATENT DOCUMENTS

2019/0061476 A1* 2/2019 Isobe F24F 13/075
2019/0126728 A1* 5/2019 Park F24F 13/14

* cited by examiner

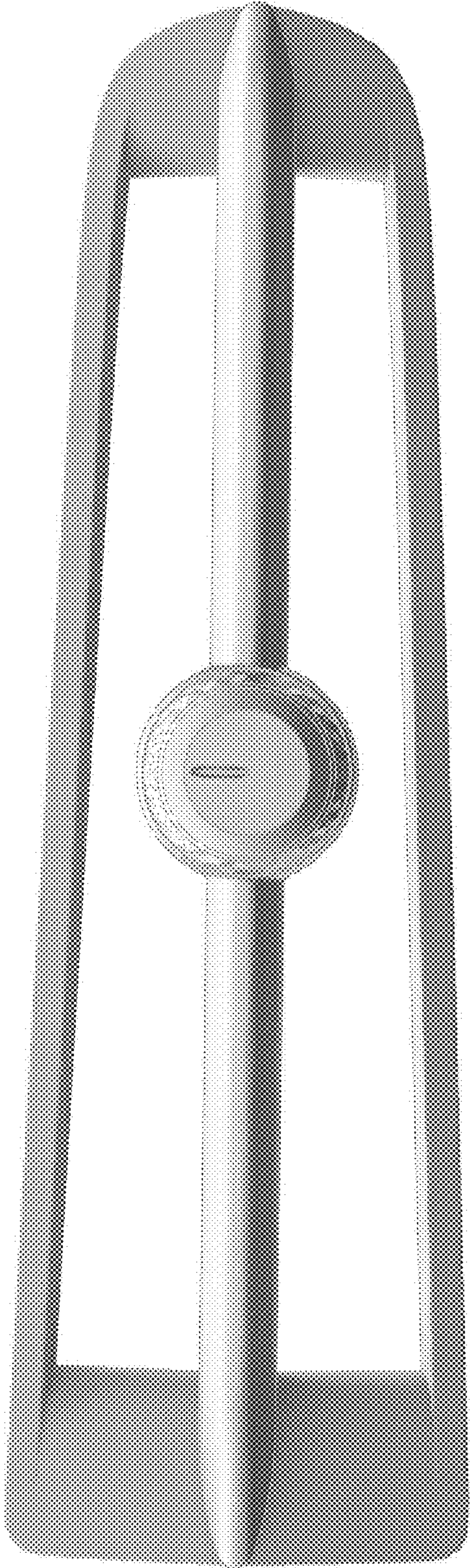


FIG. 1

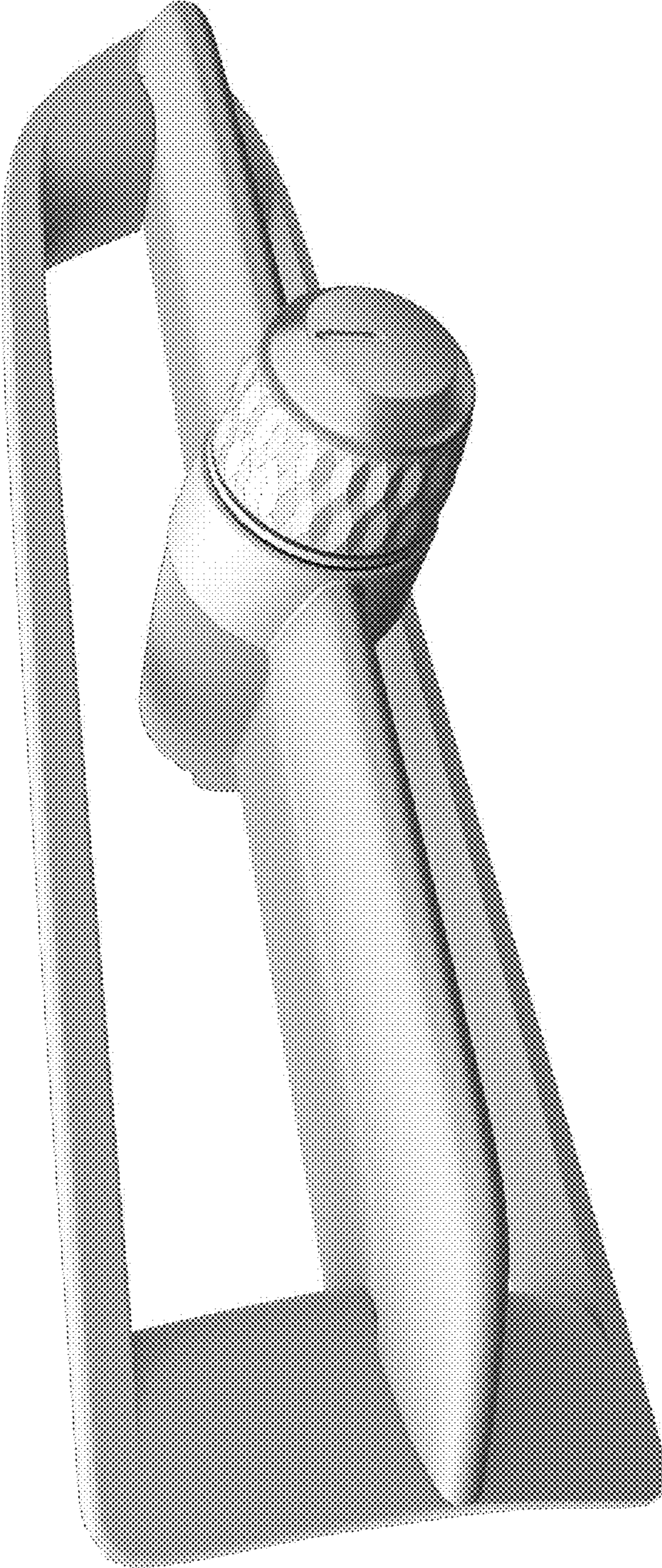


FIG. 2

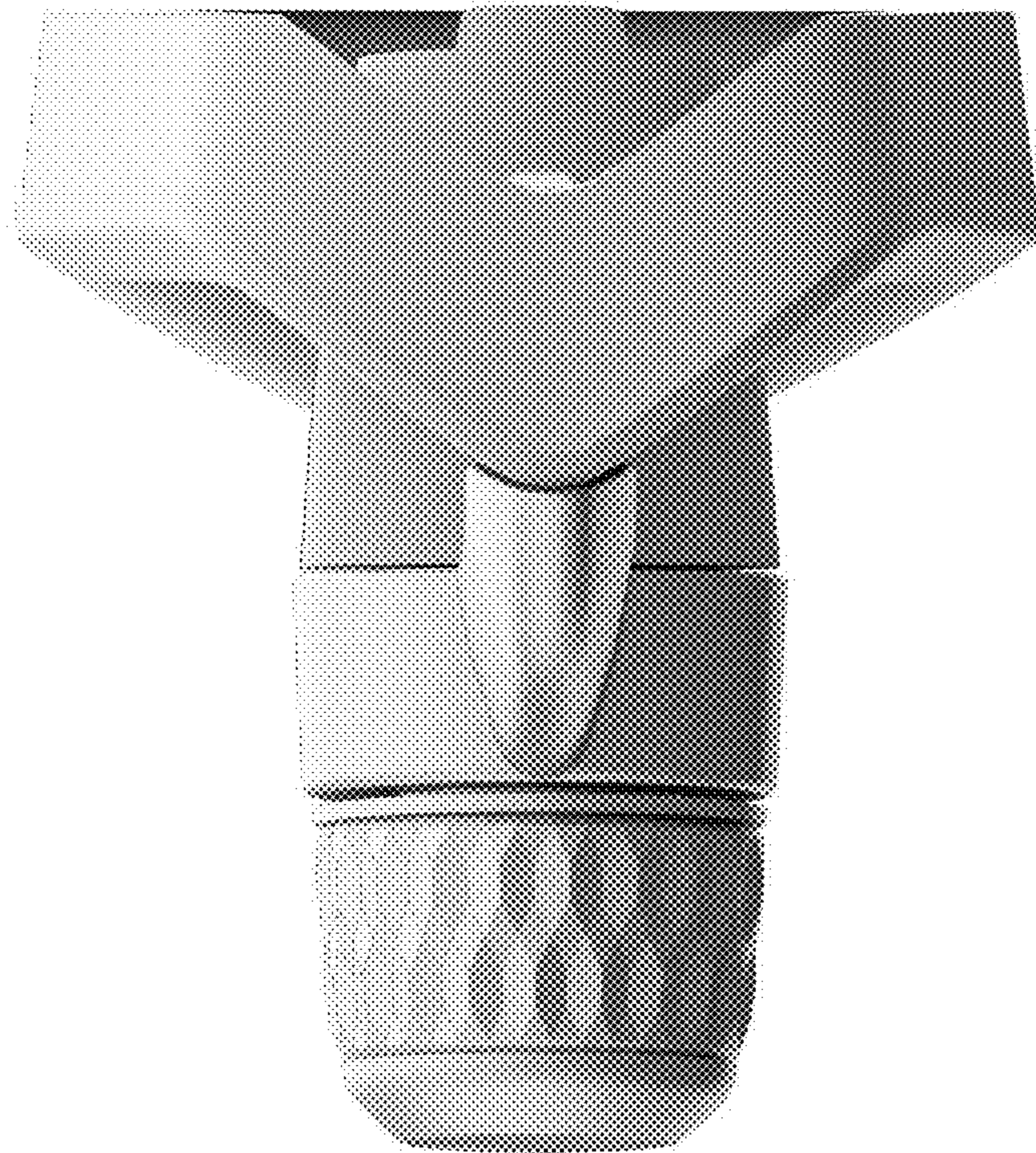


FIG. 3

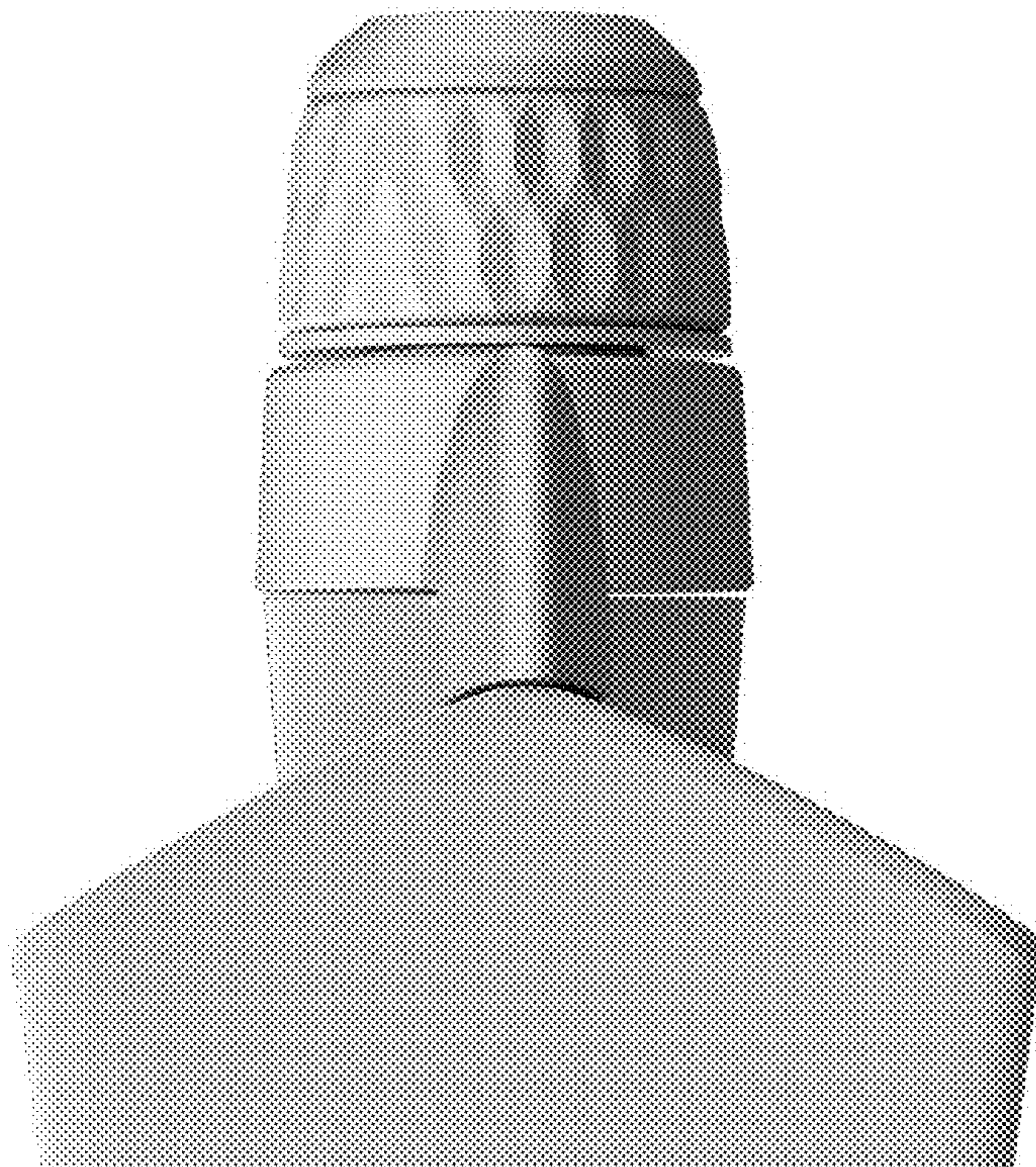


FIG. 4

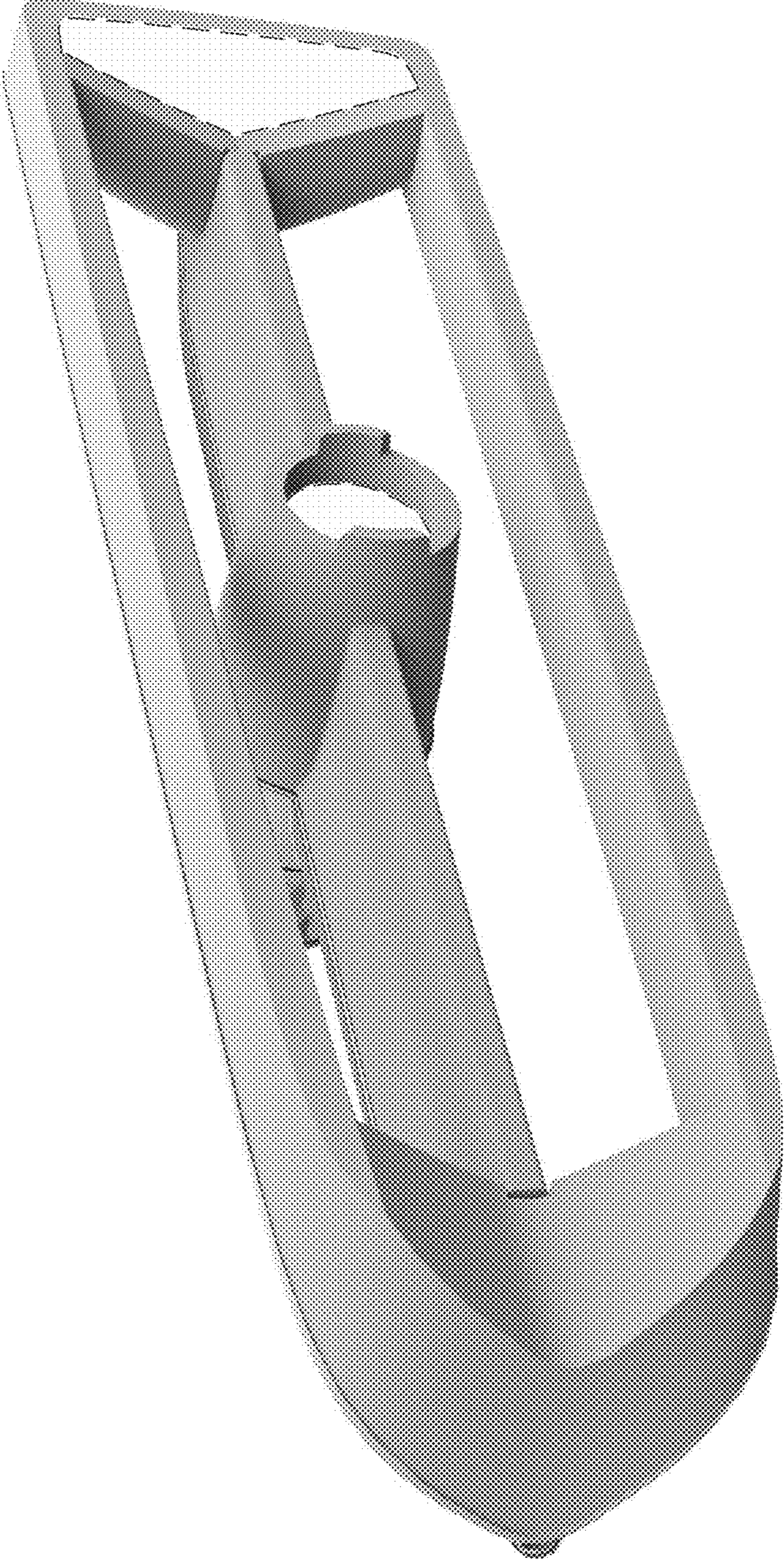


FIG. 5

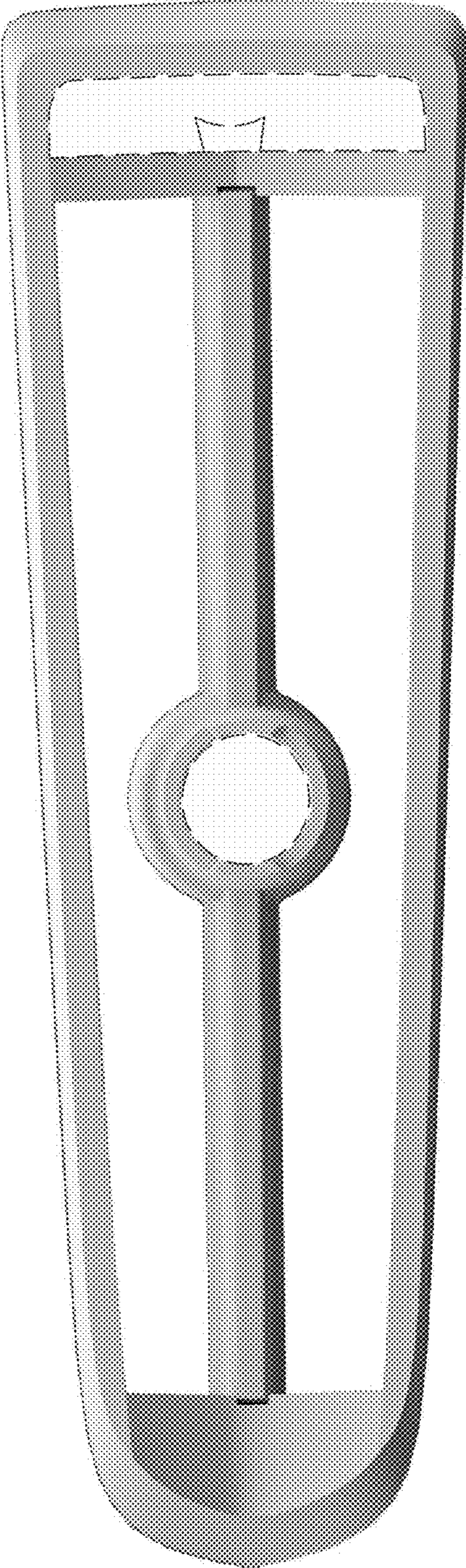


FIG. 6

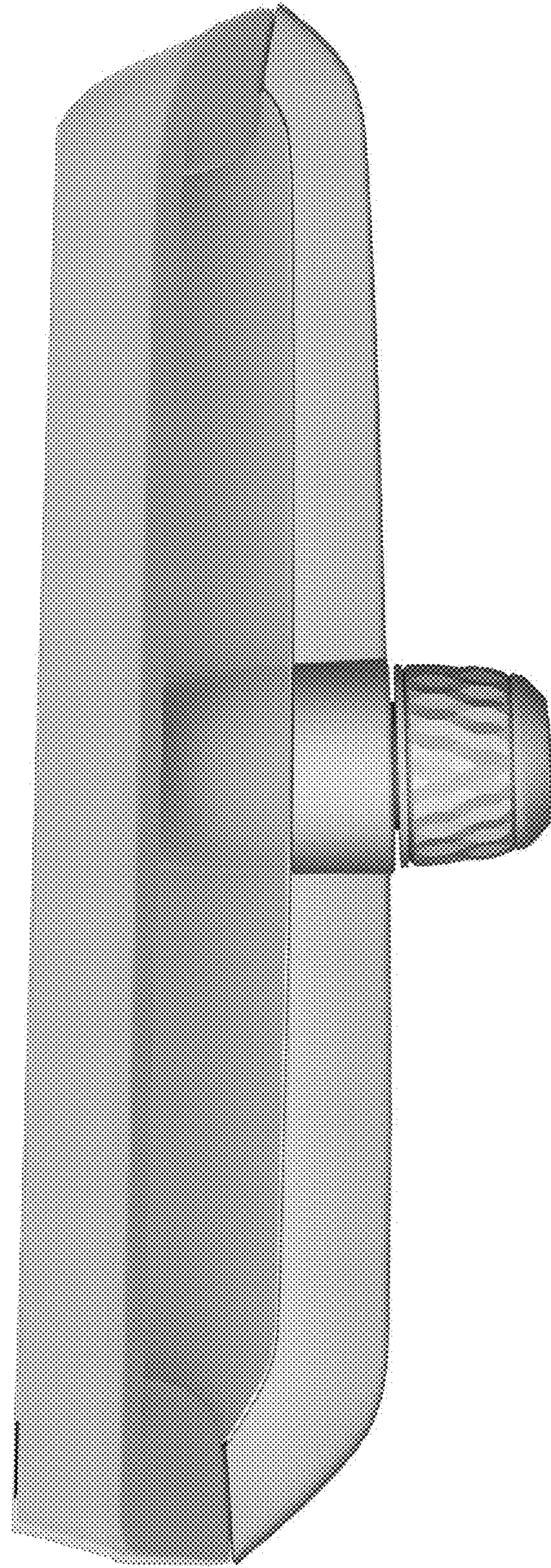


FIG. 7