



US00D910517S

(12) **United States Design Patent**  
**Kafantaris**

(10) **Patent No.:** **US D910,517 S**

(45) **Date of Patent:** **\*\* Feb. 16, 2021**

(54) **VEHICLE SIDE MIRROR**

D855,524 S \* 8/2019 Lee ..... D12/187  
D857,573 S \* 8/2019 Beaven ..... D12/187  
D860,085 S \* 9/2019 Koo ..... D12/187

(71) Applicant: **Constantine E. Kafantaris**, Orange,  
CA (US)

\* cited by examiner

(72) Inventor: **Constantine E. Kafantaris**, Orange,  
CA (US)

*Primary Examiner* — Abraham Bahta

(74) *Attorney, Agent, or Firm* — Kafantaris Law Offices;  
Theo Kafantaris

(\*\*) Term: **15 Years**

(57) **CLAIM**

(21) Appl. No.: **29/677,368**

The ornamental design for a vehicle side mirror, as shown  
and described.

(22) Filed: **Jan. 18, 2019**

**DESCRIPTION**

(51) **LOC (13) Cl.** ..... **12-16**

(52) **U.S. Cl.**

USPC ..... **D12/187**

(58) **Field of Classification Search**

USPC ..... D12/114, 187-189, 191, 400, 404, 181;  
D6/300, 309; 359/843, 844, 881, 877,  
359/604, 868, 838, 839, 841, 514, 871;  
248/466, 474

CPC ..... B60R 1/076; B60R 1/074; B60R 1/078;  
B60R 1/08; B60R 1/006; B60R 1/02;  
B60R 1/06; B60R 1/0612; B60R 1/062;  
B60R 1/064; G02B 7/182; G02B 7/18

See application file for complete search history.

FIG. 1 is a front perspective view of the vehicle side mirror  
showing my new design with mirror in a completely open  
condition;

FIG. 2 is a rear perspective view thereof;

FIG. 3 is a front view thereof;

FIG. 4 is a rear view thereof;

FIG. 5 is a front perspective view thereof with mirror in a  
partially closed condition;

FIG. 6 is a rear perspective view thereof with mirror in a  
completely closed condition;

FIG. 7 is a front view thereof;

FIG. 8 is a rear view thereof;

FIG. 9 is a side view thereof; and,

FIG. 10 is a top view thereof.

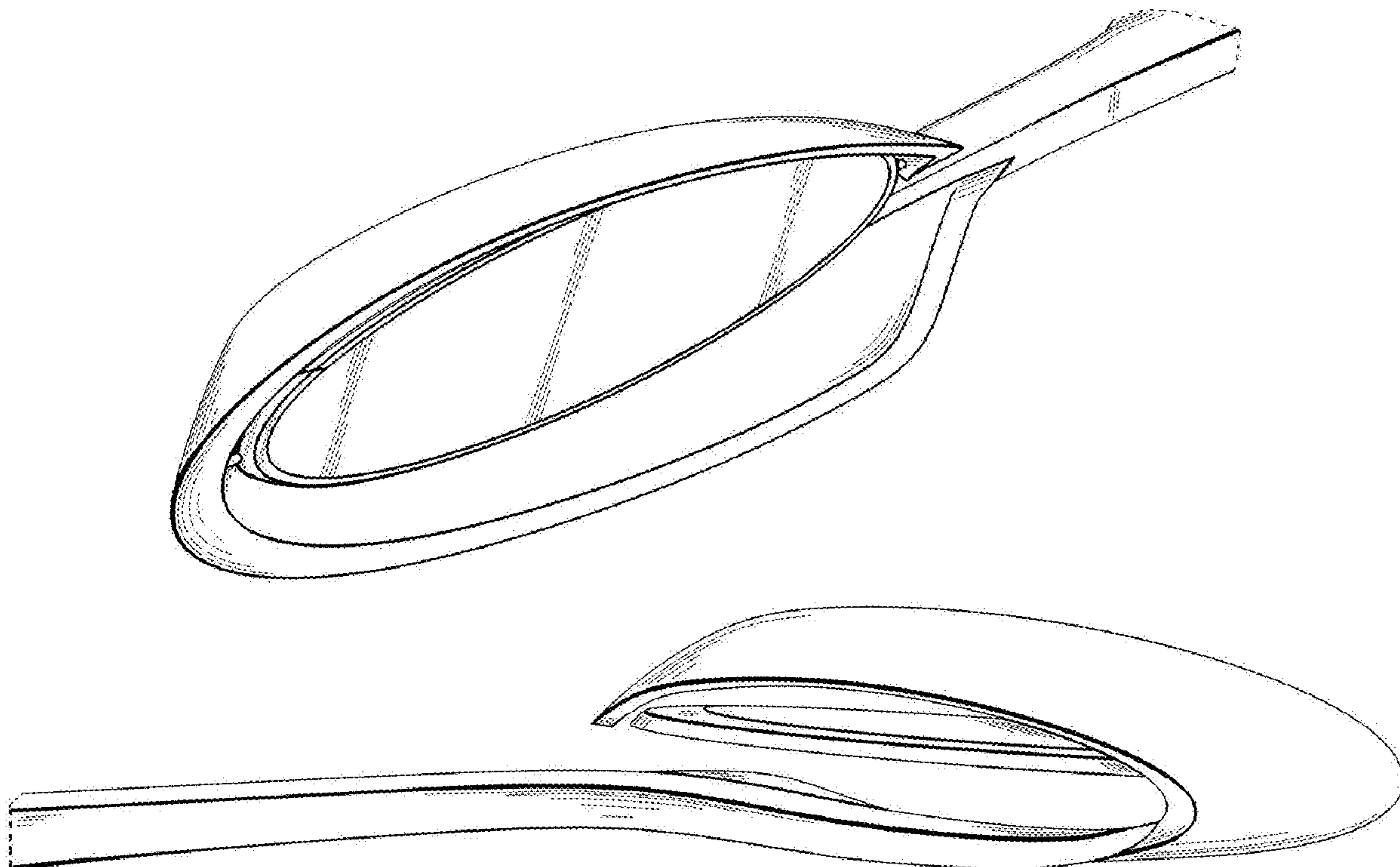
The broken line showing portions of the vehicle side mirror  
is included for the purpose of illustrating environmental  
structure and forms no part of the claimed design.

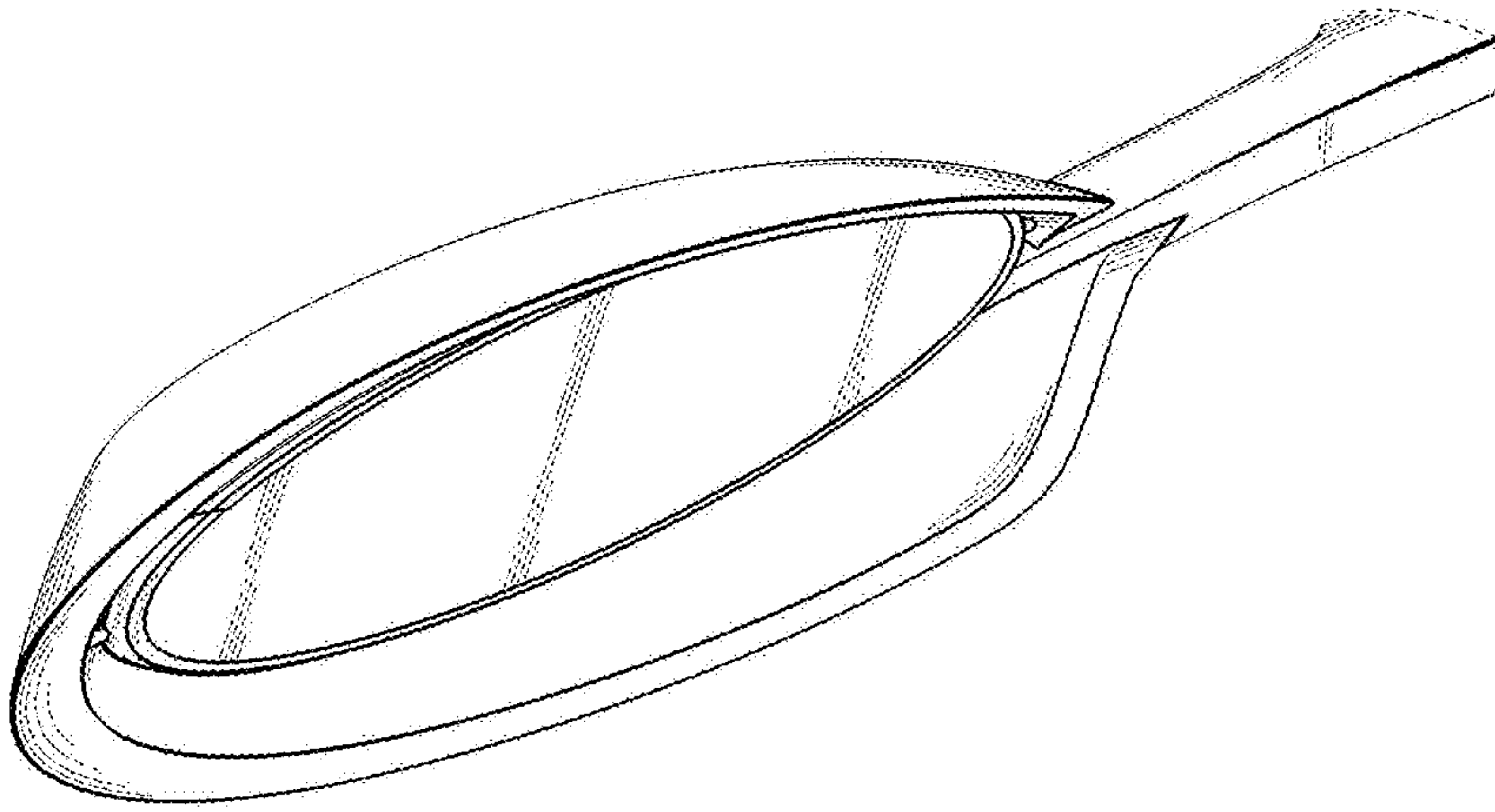
(56) **References Cited**

**U.S. PATENT DOCUMENTS**

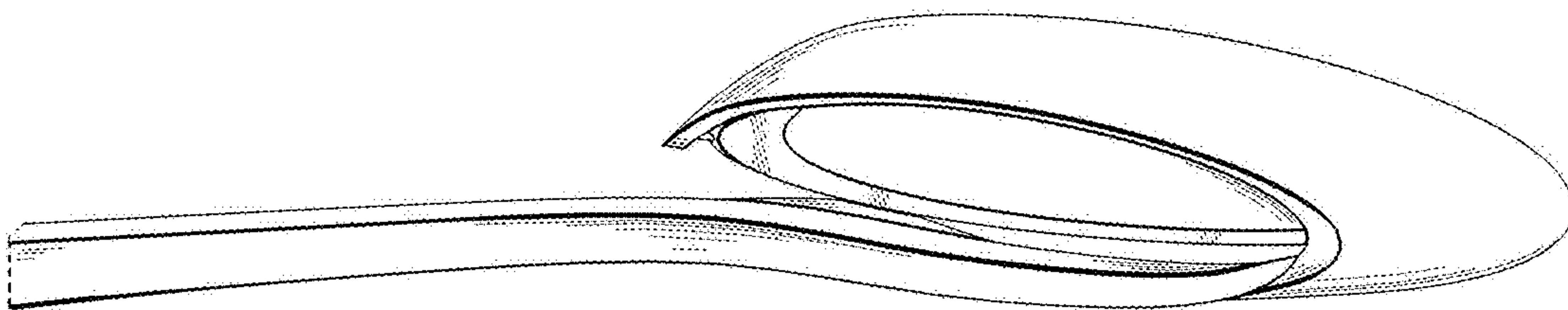
D798,209 S \* 9/2017 Tseng ..... D12/187  
D824,305 S \* 7/2018 Henry ..... D12/187

**1 Claim, 5 Drawing Sheets**

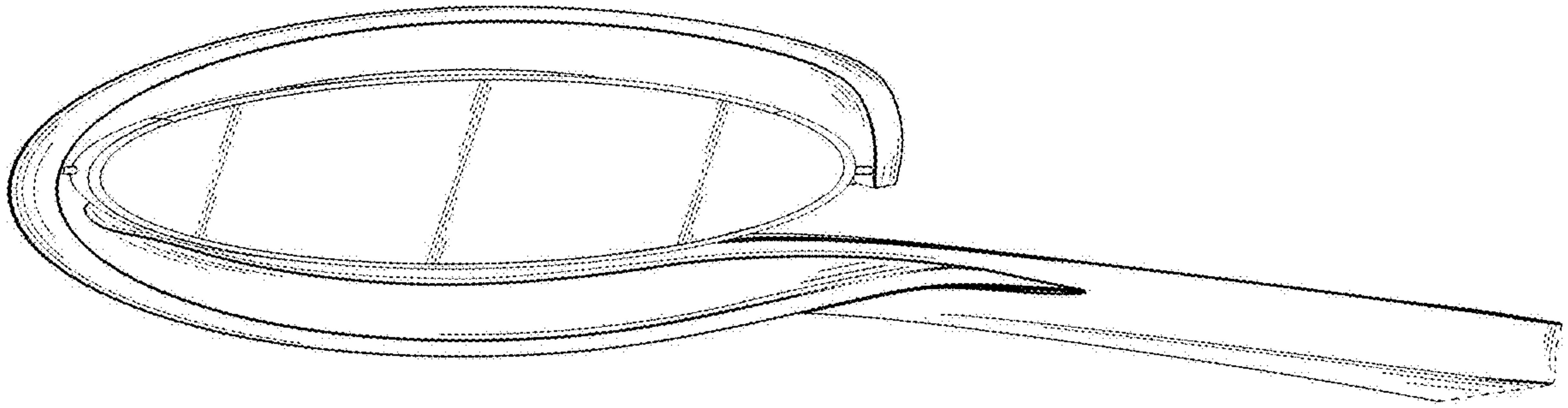




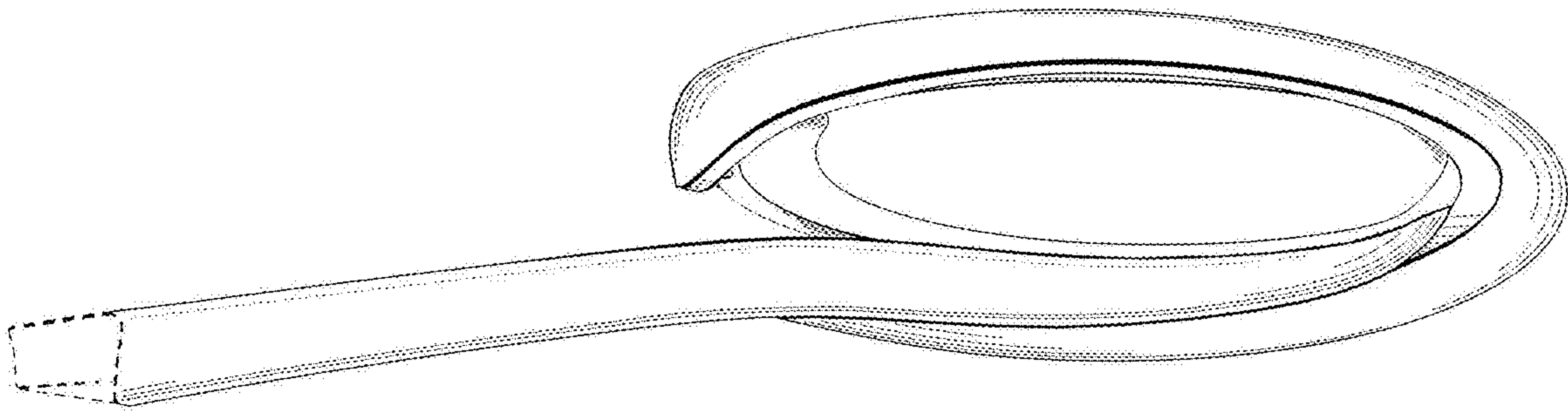
**FIG 1**



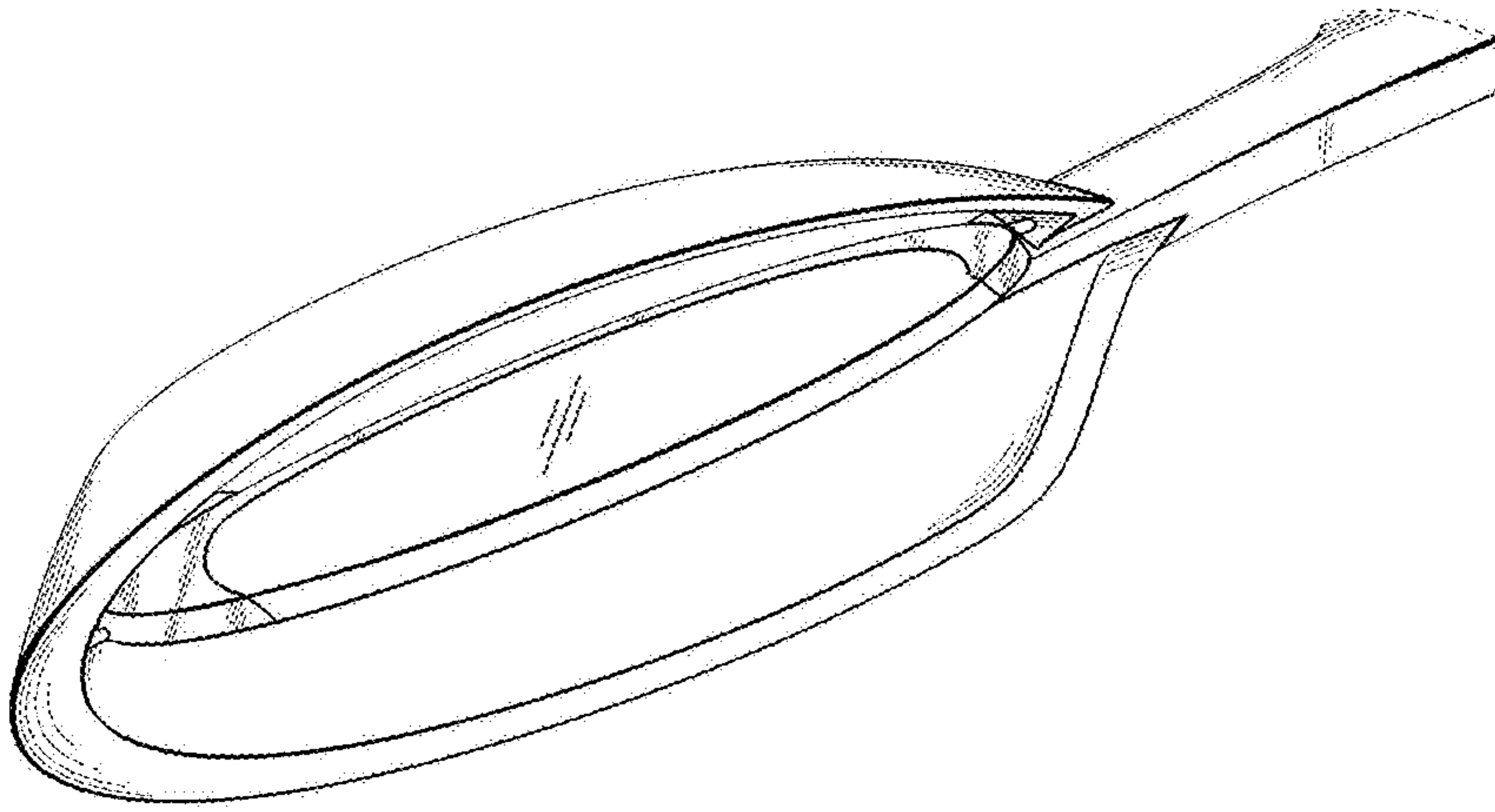
**FIG 2**



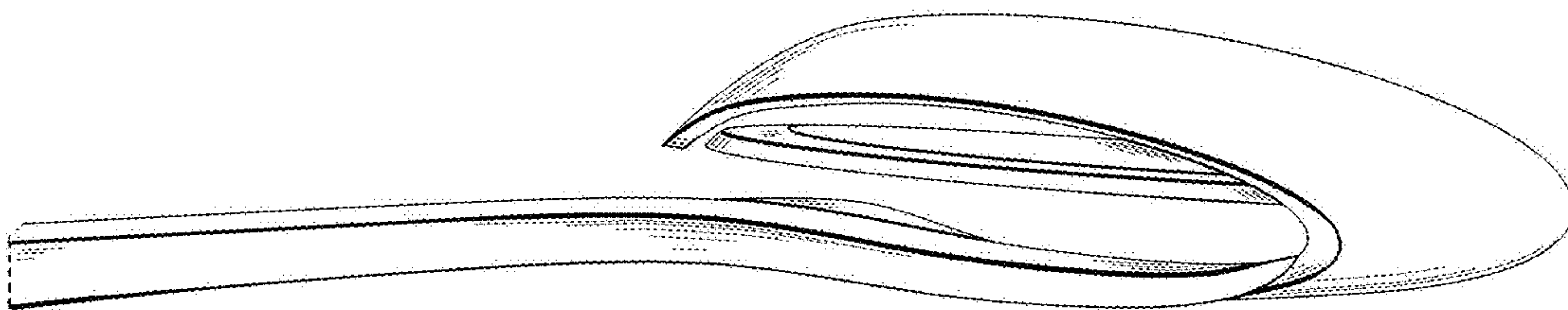
**FIG 3**



**FIG 4**

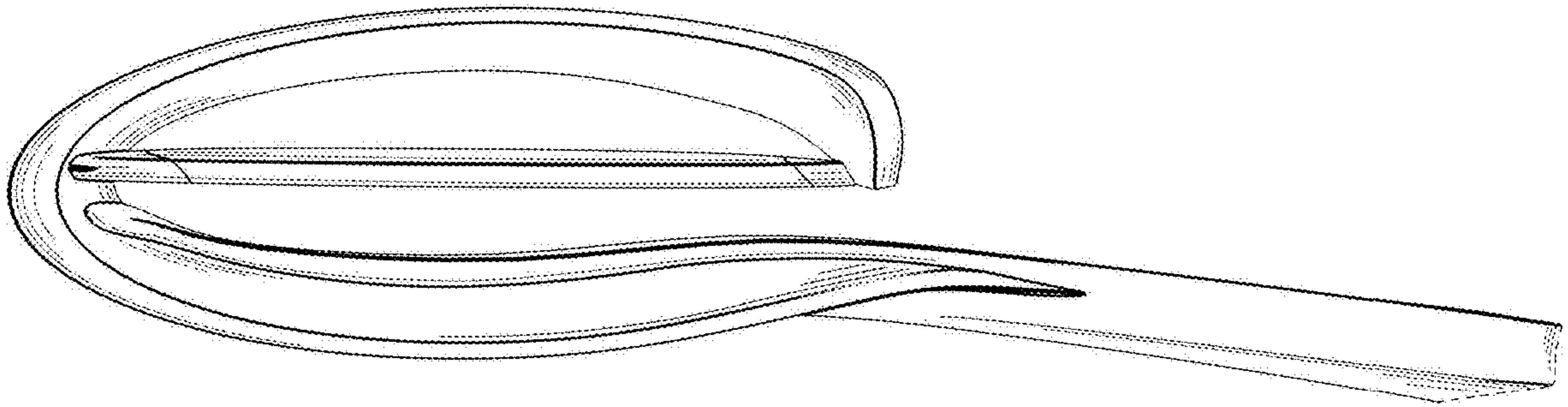


**FIG 5**

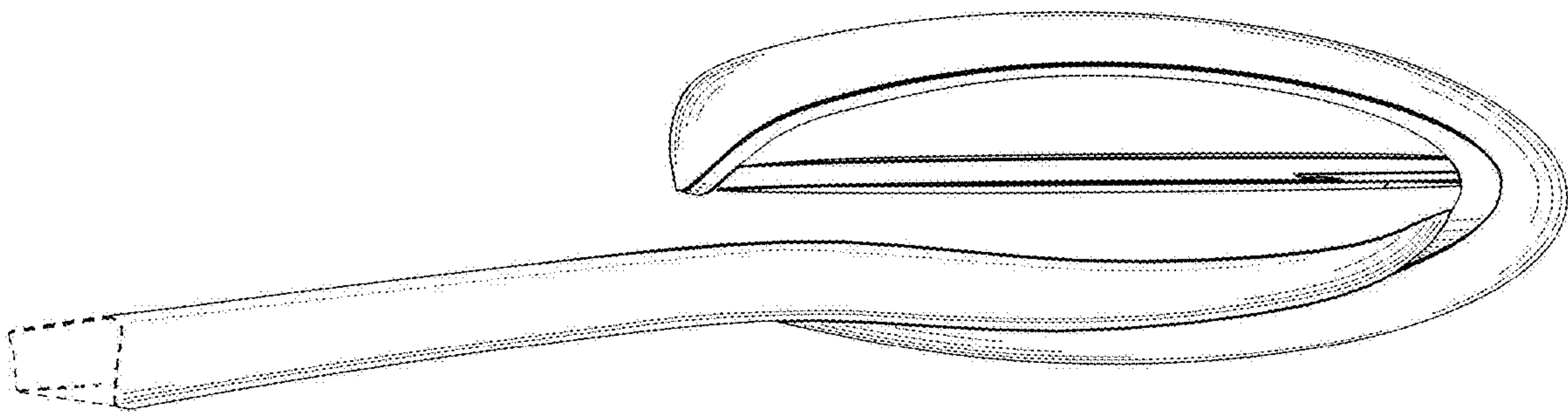


**FIG 6**

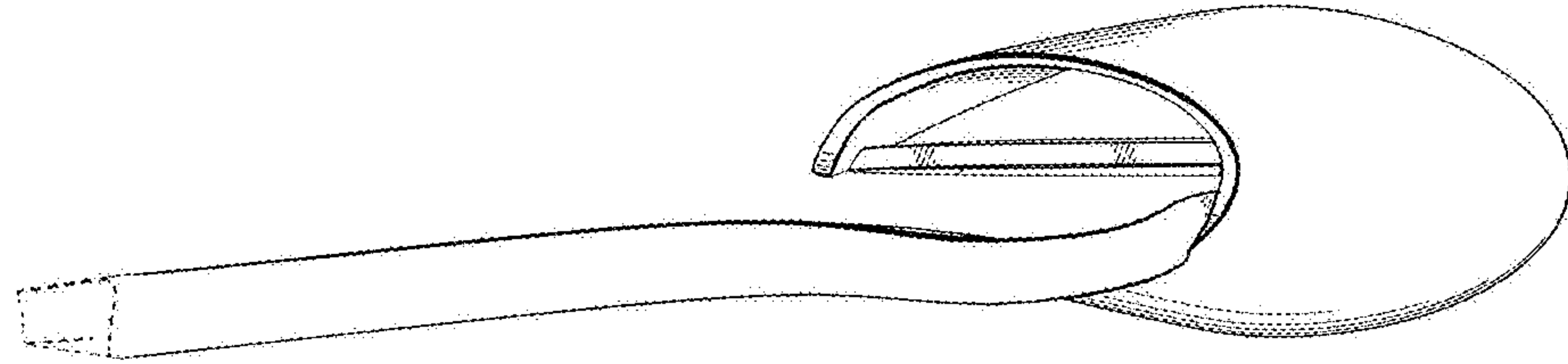




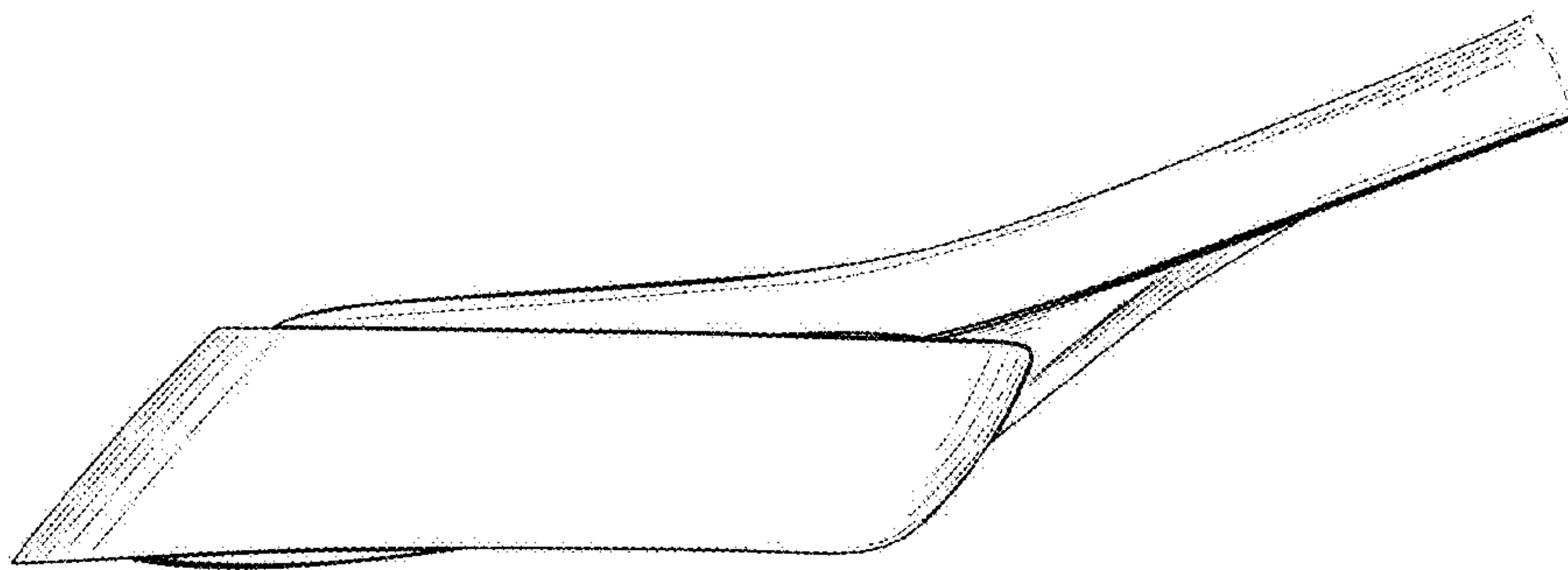
**FIG 7**



**FIG 8**



**FIG 9**



**FIG 10**