



US00D910511S

(12) **United States Design Patent**
Mangan et al.

(10) **Patent No.:** **US D910,511 S**

(45) **Date of Patent:** **** Feb. 16, 2021**

(54) **VEHICLE AIR BAG COVER**

(71) Applicant: **Ford Global Technologies, LLC,**
Dearborn, MI (US)

(72) Inventors: **William Mangan,** Ypsilanti, MI (US);
Scott C. Anderson, Commerce
Township, MI (US); **Ryan Olsson,**
Novi, MI (US); **Christopher Nichols,**
Detroit, MI (US); **Ryan Welch,** Ottawa
Lake, MI (US); **Justin D. Sorum,**
Royal Oak, MI (US)

(73) Assignee: **Ford Global Technologies, LLC,**
Dearborn, MI (US)

(**) Term: **15 Years**

(21) Appl. No.: **29/700,424**

(22) Filed: **Aug. 2, 2019**

(51) **LOC (13) Cl.** **12-16**

(52) **U.S. Cl.**
USPC **D12/177**

(58) **Field of Classification Search**
USPC D12/174, 175, 176, 177, 400
CPC B29L 2031/3047; B60R 21/215; B60R
21/2165; B60R 21/21656; B60R 21/2176
See application file for complete search history.

(56) **References Cited**

U.S. PATENT DOCUMENTS

D708,100 S *	7/2014	Nakai	D12/177
D710,270 S *	8/2014	Kanki	D12/176
D713,307 S *	9/2014	Kanki	D12/176
D758,932 S *	6/2016	Schowalter	D12/176
D762,537 S *	8/2016	Owaku	D12/177
D763,749 S *	8/2016	Hamanaga	D12/177
D768,550 S *	10/2016	Schowalter	D12/195
9,694,780 B1 *	7/2017	Lowe	B60R 21/21656
D804,374 S *	12/2017	Ogawa	D12/177
D836,504 S *	12/2018	Kawahara	D12/177

D872,664 S *	1/2020	Woodhouse	D12/177
2010/0308565 A1 *	12/2010	Perez Garcia	B60R 21/2165 280/728.3
2011/0232412 A1 *	9/2011	Hashimoto	G06F 3/0338 74/491
2013/0154242 A1 *	6/2013	Sato	B60R 21/203 280/728.2

(Continued)

OTHER PUBLICATIONS

Airbag Cover, mycarboard.com [online]. Published on or before Nov. 16, 2020, [retrieved on Nov. 16, 2020]. Retrieved from the Internet: <URL:https://mycarboard.com/product/great-2014201520162017-honda-accord-driver-airbag-2018/> (Year: 2020).*

(Continued)

Primary Examiner — Michael A. Pratt

Assistant Examiner — Adam C Mager

(74) *Attorney, Agent, or Firm* — Michael Spenner

(57) **CLAIM**

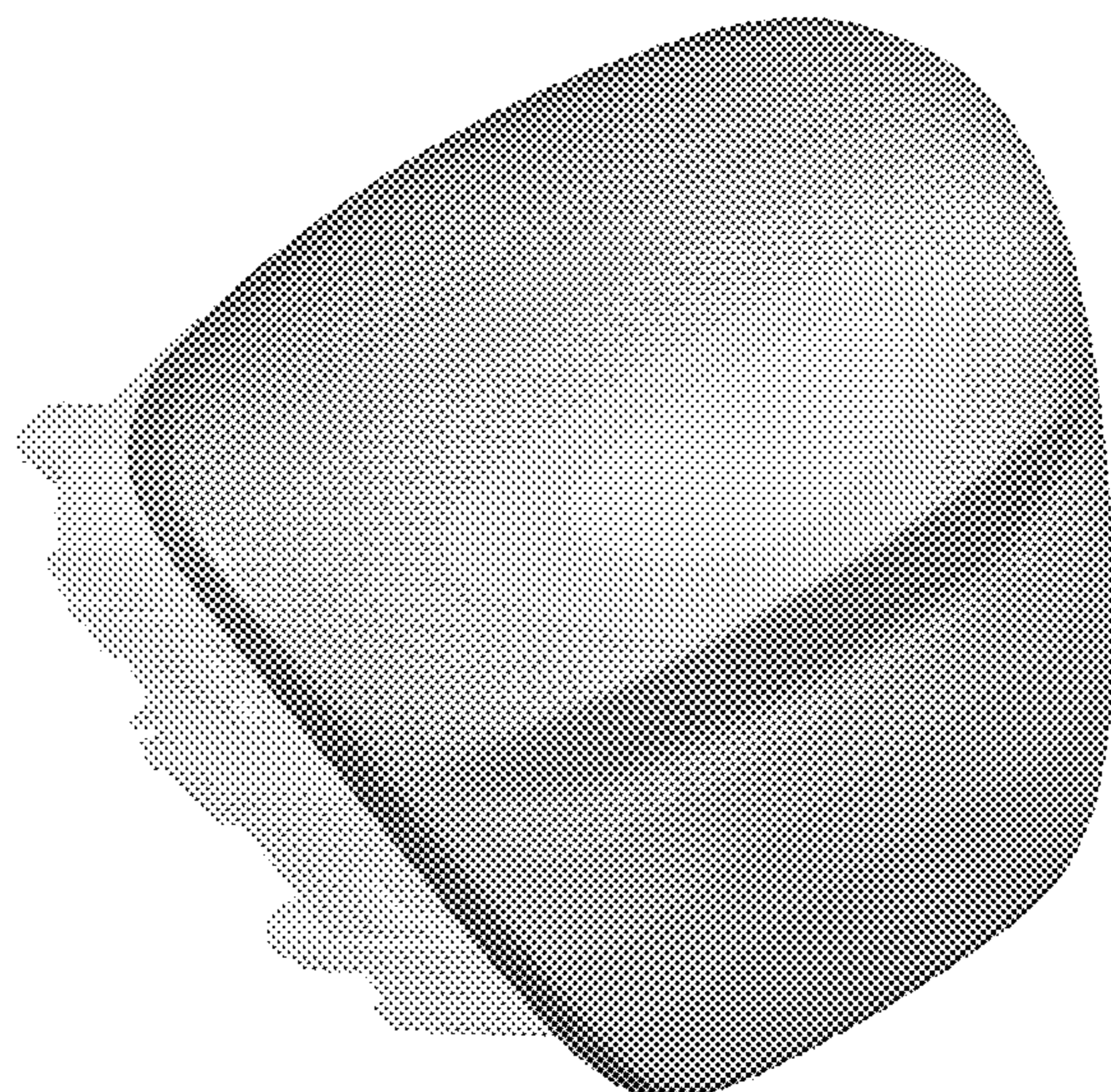
The ornamental design for a vehicle air bag cover, as shown and described.

DESCRIPTION

FIG. 1 is a front elevational view of a vehicle air bag cover, showing our new design;
FIG. 2 is a left side elevational view thereof;
FIG. 3 is a right side elevational view thereof;
FIG. 4 is a top plan view thereof;
FIG. 5 is a bottom plan view thereof;
FIG. 6 is a top, front and left side perspective view thereof; and,
FIG. 7 is a bottom, front and left side perspective view thereof.

The claimed design is indicated by the relatively dark portions in the figures. The de-emphasized and relatively light portions form no part of the claimed design.

1 Claim, 7 Drawing Sheets



(56)

References Cited

U.S. PATENT DOCUMENTS

2014/0145419 A1* 5/2014 Ishikawa B60R 21/215
280/728.3
2017/0113644 A1* 4/2017 Coon B60R 21/2165
2019/0001880 A1* 1/2019 Schneider B60Q 3/14

OTHER PUBLICATIONS

Michael Martinez, Ford's 2020 Baby Bronco off-roader emerges in photos from dealer meeting, <http://www.automews.com/article/20181113/OEM04/181119911/ford-baby-bronco-photos-leaked> Nov. 13, 2018.

* cited by examiner



Fig.1

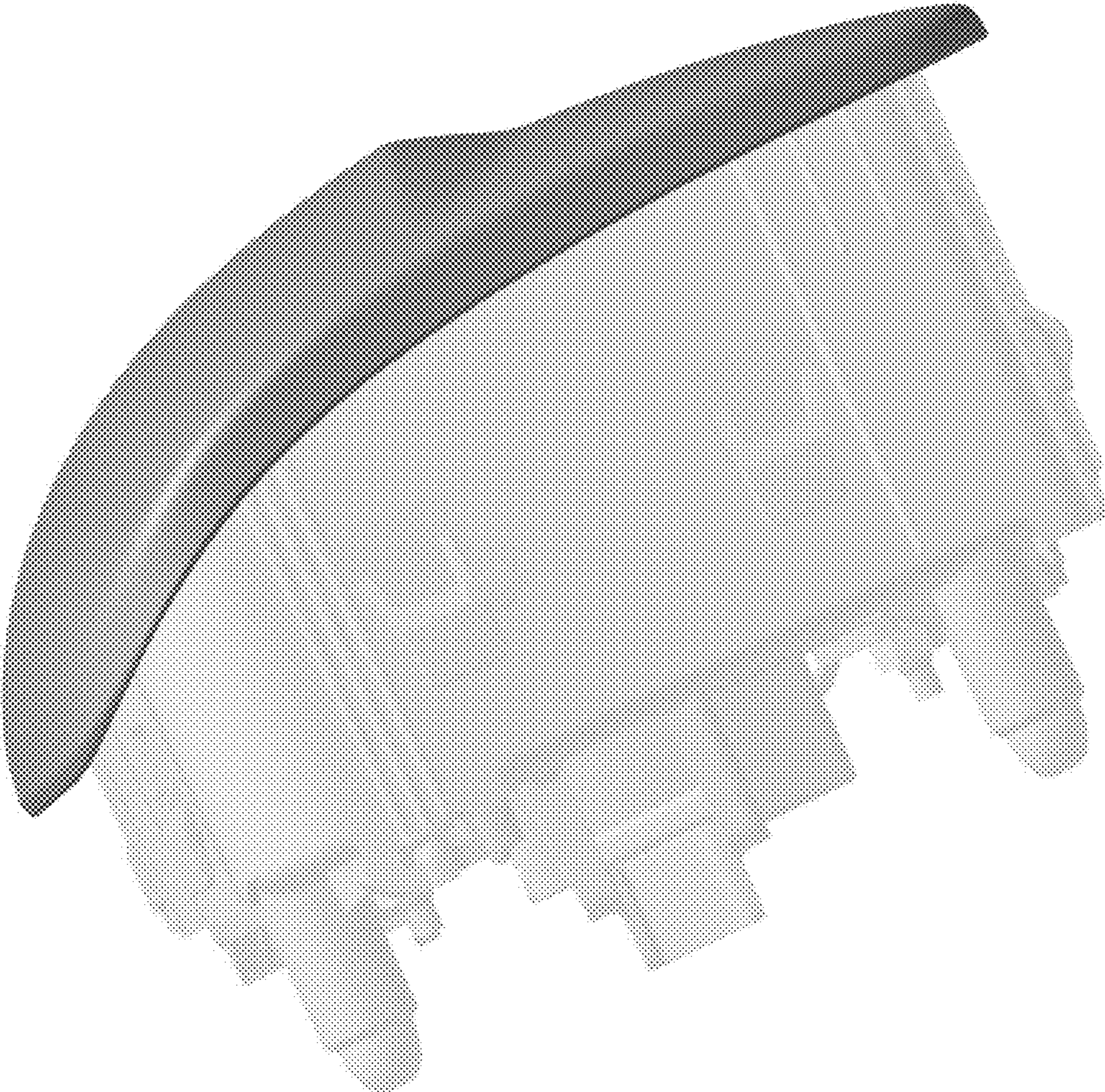


Fig.2

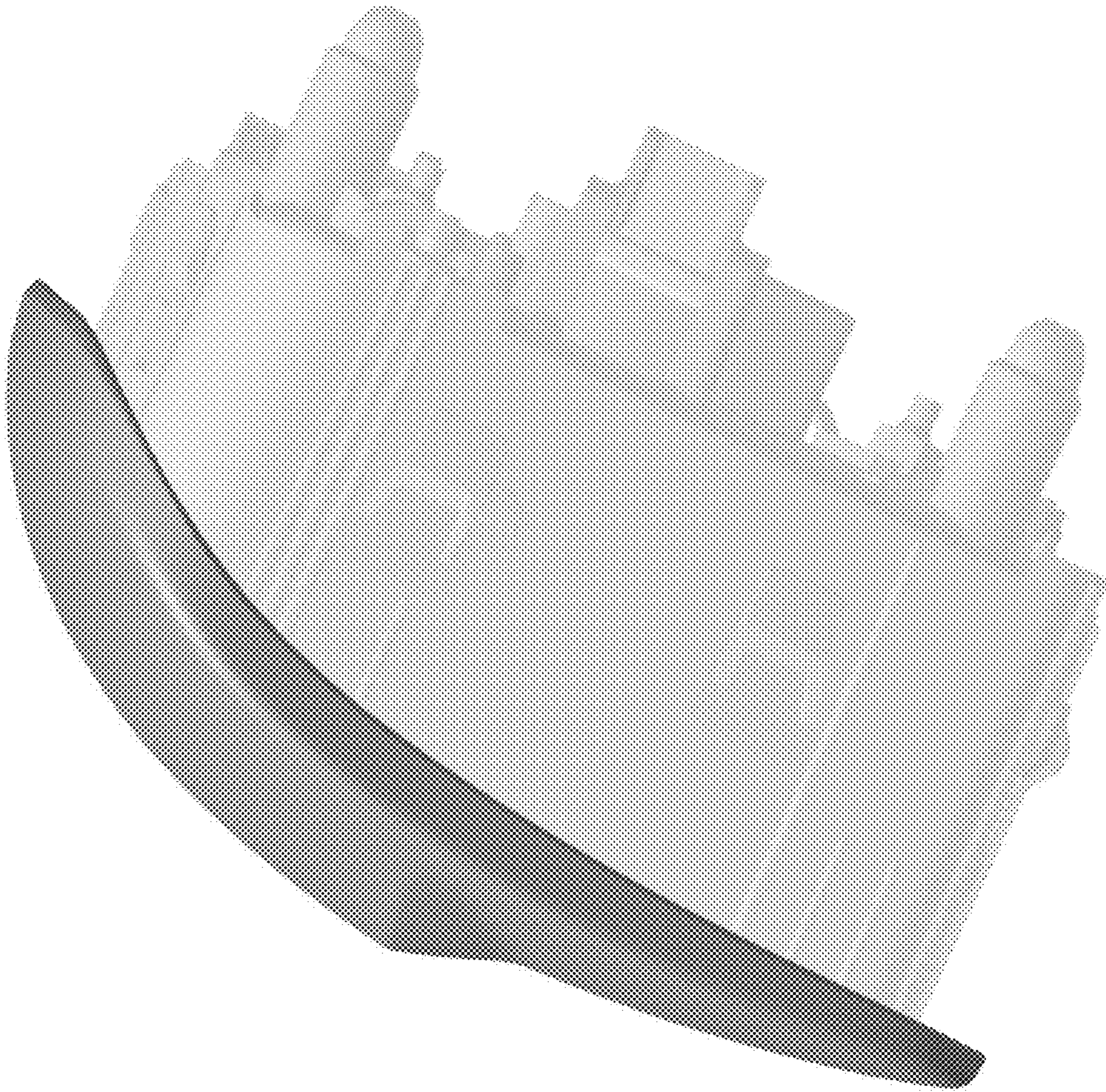


Fig. 3

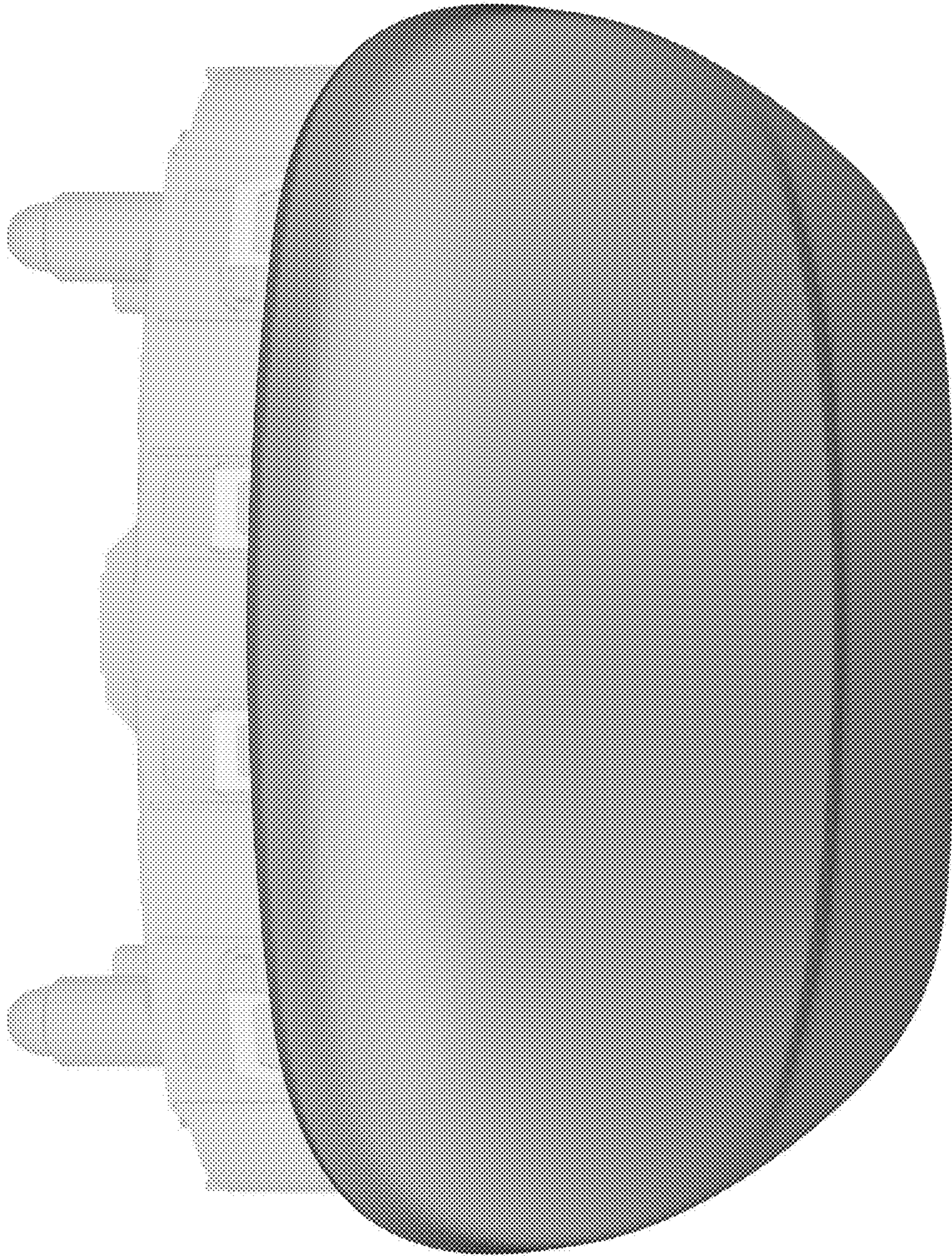


Fig.4

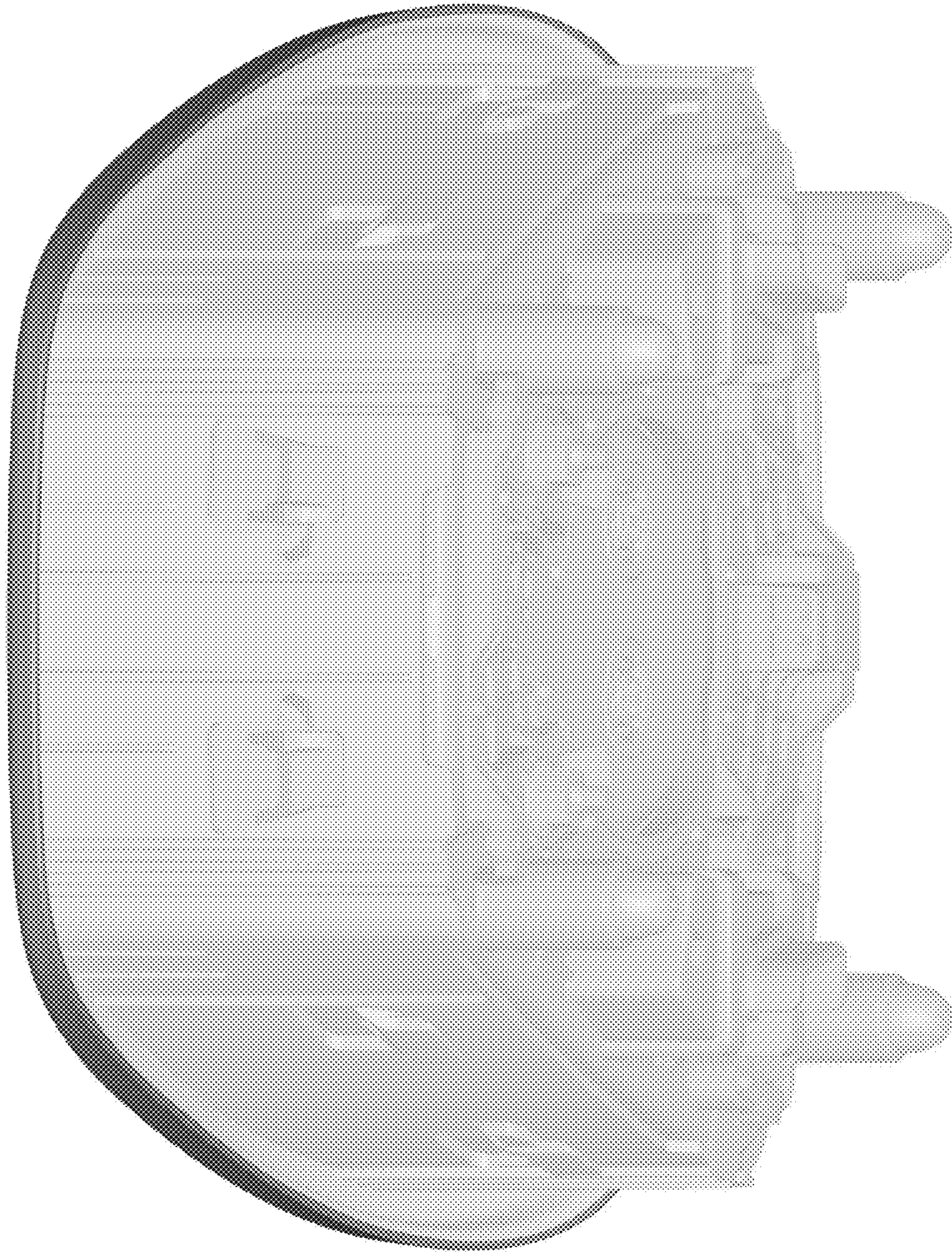


Fig. 5

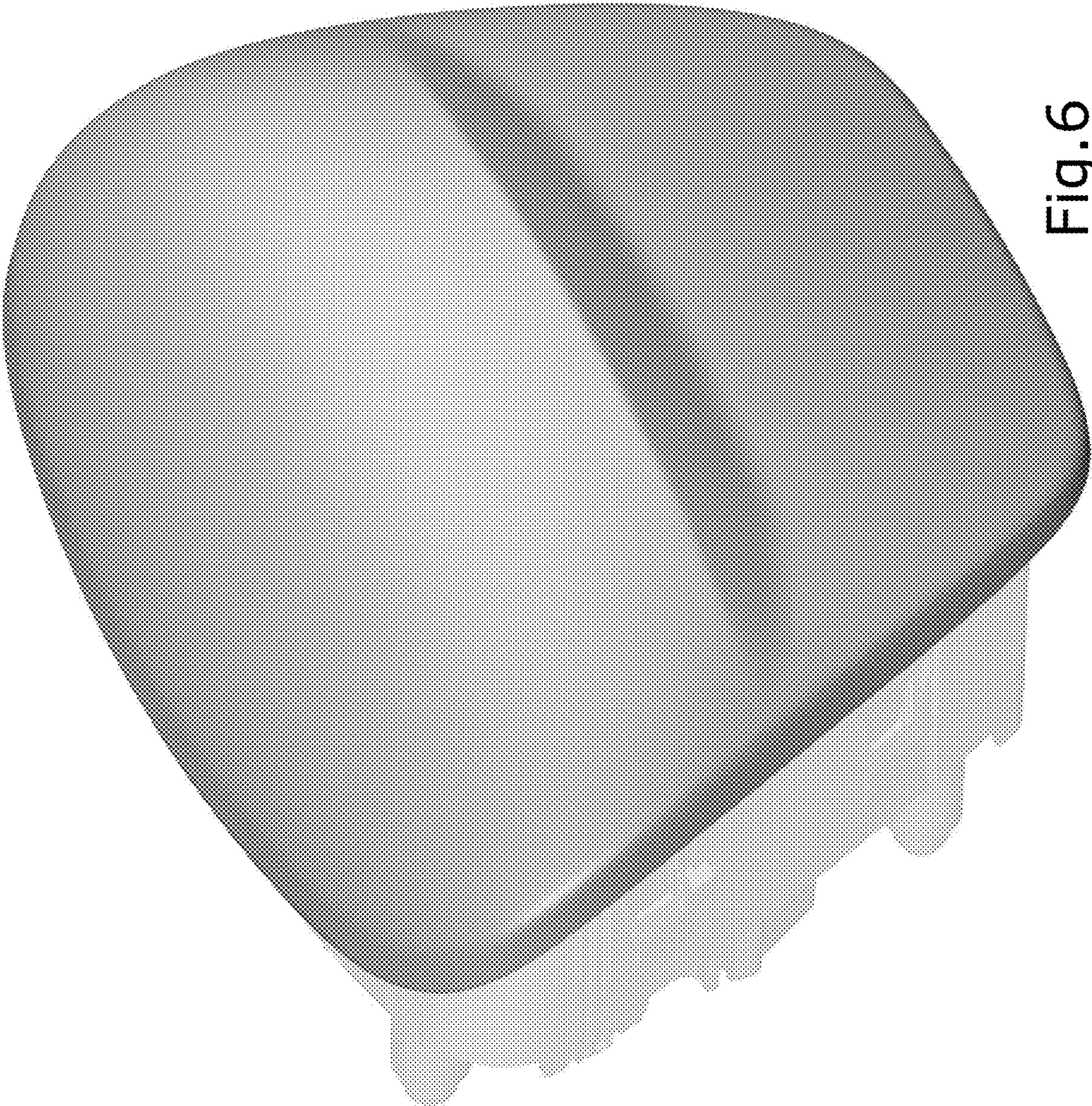


Fig. 6

Fig. 7

