



US00D910510S

(12) **United States Design Patent** (10) **Patent No.:** **US D910,510 S**  
**Sandys** (45) **Date of Patent:** **\*\* Feb. 16, 2021**

(54) **STEERING WHEEL**  
(71) Applicant: **Jaguar Land Rover Limited**, Coventry (GB)  
(72) Inventor: **Jonathan Sandys**, Whitley Coventry (GB)  
(73) Assignee: **Jaguar Land Rover Limited**, Whitley Coventry (GB)  
(\*\*) Term: **15 Years**  
(21) Appl. No.: **29/687,649**  
(22) Filed: **Apr. 15, 2019**  
(30) **Foreign Application Priority Data**

D709,006 S \* 7/2014 Busse ..... D12/176  
D727,226 S \* 4/2015 Mayerle ..... D12/176  
D741,759 S \* 10/2015 Persson ..... D12/176  
D743,860 S \* 11/2015 Nagumo ..... D12/176  
D758,933 S \* 6/2016 Owaku ..... D12/176  
D760,134 S \* 6/2016 Montousse ..... D12/176  
D772,124 S \* 11/2016 Lee ..... D12/176  
D772,769 S \* 11/2016 Hamanaga ..... D12/176  
D776,584 S \* 1/2017 Meissner ..... D12/176  
D784,871 S \* 4/2017 Lee ..... D12/176  
D787,390 S \* 5/2017 Kanda ..... D12/176  
D789,261 S \* 6/2017 Goedecke ..... D12/176  
D797,020 S \* 9/2017 Kazita ..... D12/176  
D801,894 S \* 11/2017 Kasano ..... D12/176  
D822,559 S \* 7/2018 Boyes ..... D12/176  
D830,255 S \* 10/2018 Kawahara ..... D12/176  
D853,291 S \* 7/2019 Maurer ..... D12/176  
D853,910 S \* 7/2019 Sandys ..... D12/176  
D853,911 S \* 7/2019 Miyamoto ..... D12/176  
D878,981 S \* 3/2020 Maurer ..... D12/176  
D881,089 S \* 4/2020 Sham ..... D12/176

\* cited by examiner

Oct. 25, 2018 (EM) ..... 005808441  
(51) **LOC (13) Cl.** ..... **12-16**  
(52) **U.S. Cl.**  
USPC ..... **D12/176**  
(58) **Field of Classification Search**  
USPC ..... D12/175, 176; 74/552, 558, 558.5  
CPC ..... B60R 21/203; B60R 21/05; B62D 1/04  
See application file for complete search history.

*Primary Examiner* — Melody N Brown  
(74) *Attorney, Agent, or Firm* — Wood Herron & Evans LLP

(57) **CLAIM**

The ornamental design for a steering wheel, as shown and described.

(56) **References Cited**

**DESCRIPTION**

U.S. PATENT DOCUMENTS

D626,478 S \* 11/2010 Stephenson ..... D12/176  
D635,900 S \* 4/2011 Anzi ..... D12/176  
D640,619 S \* 6/2011 Araki ..... D12/176  
D651,542 S \* 1/2012 Nagasawa ..... D12/176  
D651,543 S \* 1/2012 Ali ..... D12/176  
D653,180 S \* 1/2012 Tanaka ..... D12/176  
D692,813 S \* 11/2013 Koyama ..... D12/175  
D696,991 S \* 1/2014 Bose ..... D12/176  
D696,992 S \* 1/2014 Pohanka ..... D12/176  
D706,186 S \* 6/2014 Fukaya ..... D12/176  
D706,187 S \* 6/2014 Tilscher ..... D12/176

FIG. 1 is a left, front perspective view of a steering wheel showing my new design;  
FIG. 2 is a right, rear perspective view thereof;  
FIG. 3 is a front elevational view thereof;  
FIG. 4 is a rear elevational view thereof;  
FIG. 5 is a left side elevational view thereof;  
FIG. 6 is a right side elevational view thereof;  
FIG. 7 is a top plan view thereof; and,  
FIG. 8 is a bottom plan view thereof.

**1 Claim, 8 Drawing Sheets**





FIG. 1



FIG. 2



FIG. 3



FIG. 4

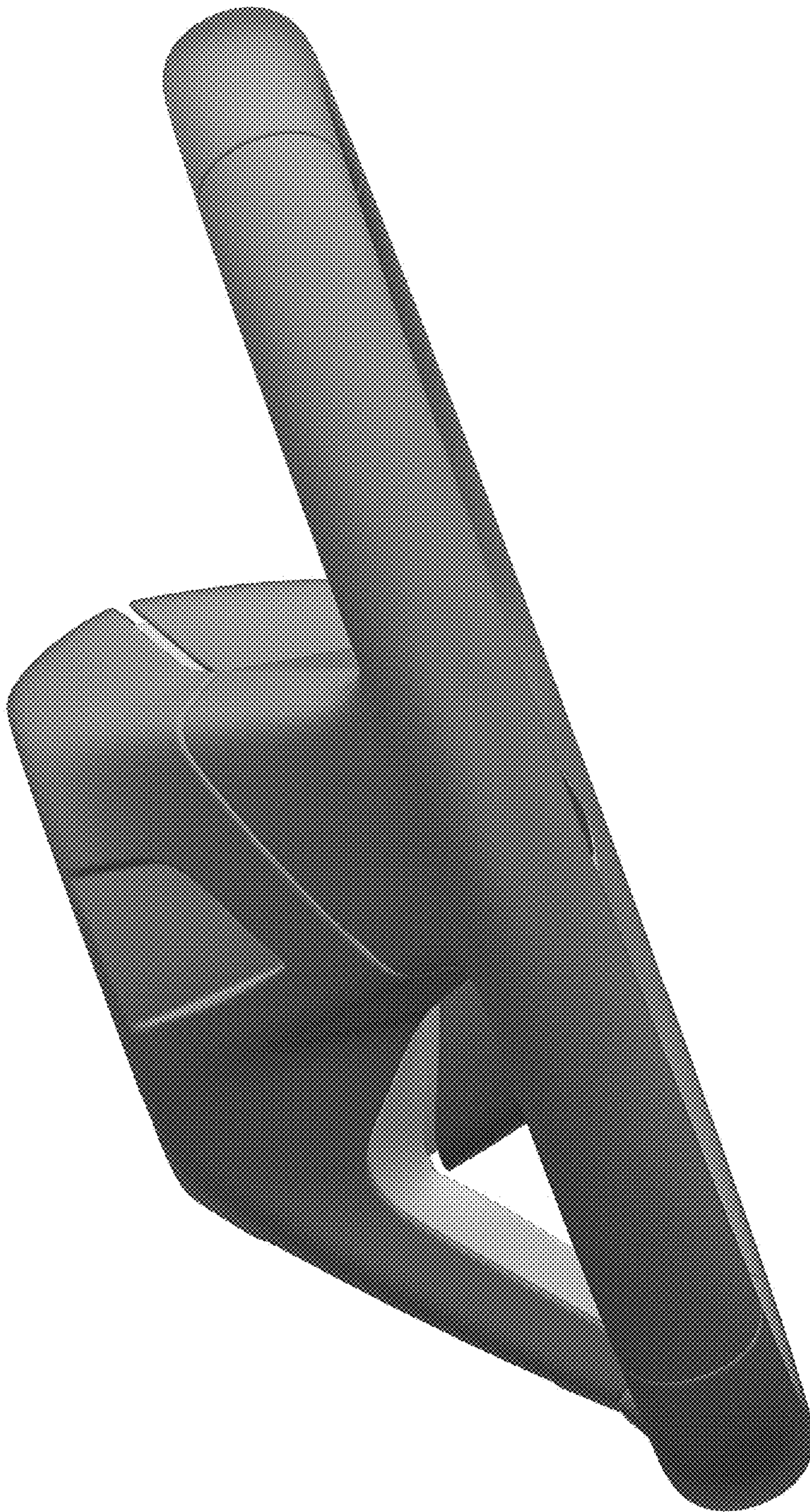


FIG. 5

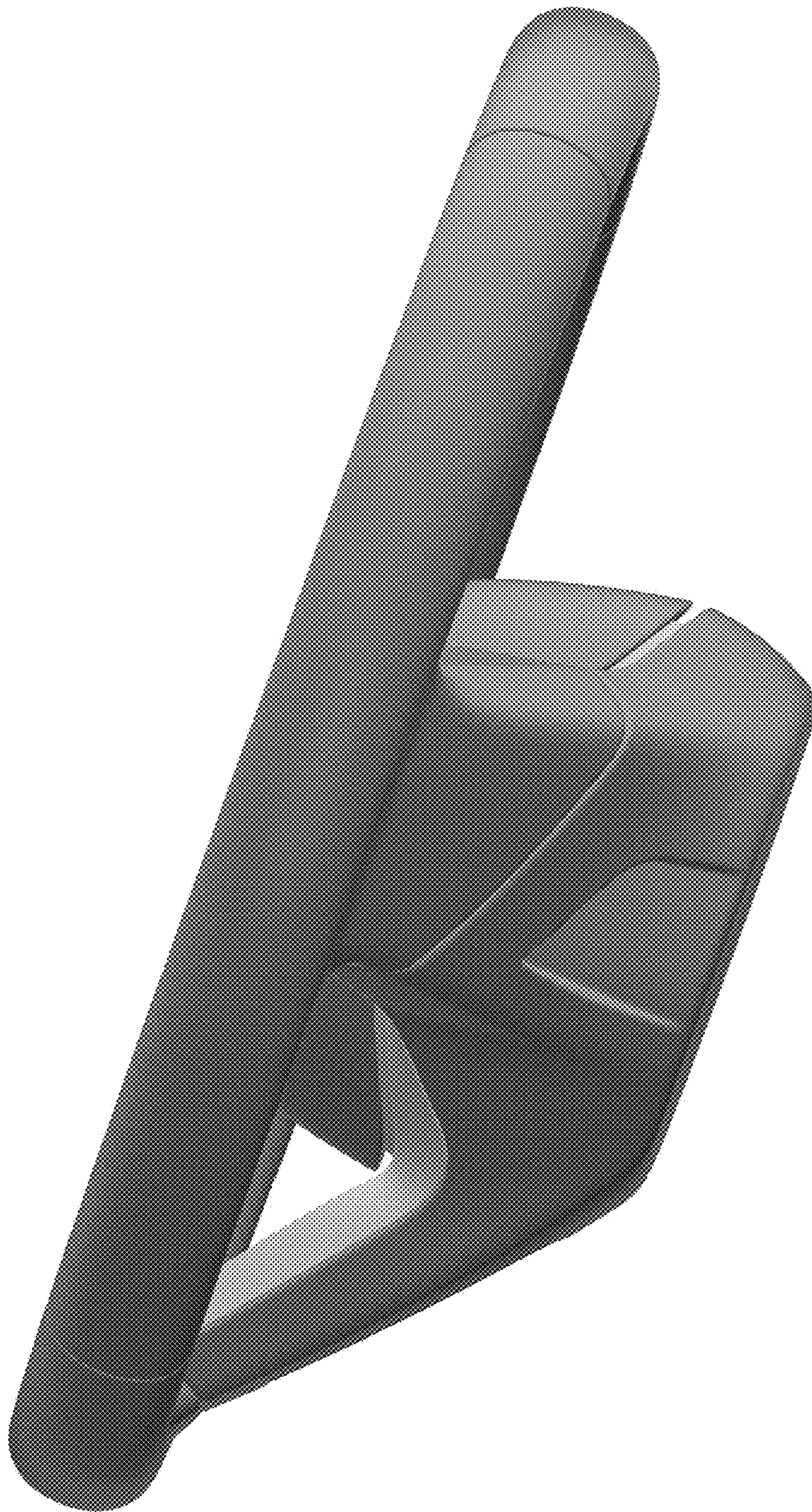


FIG. 6

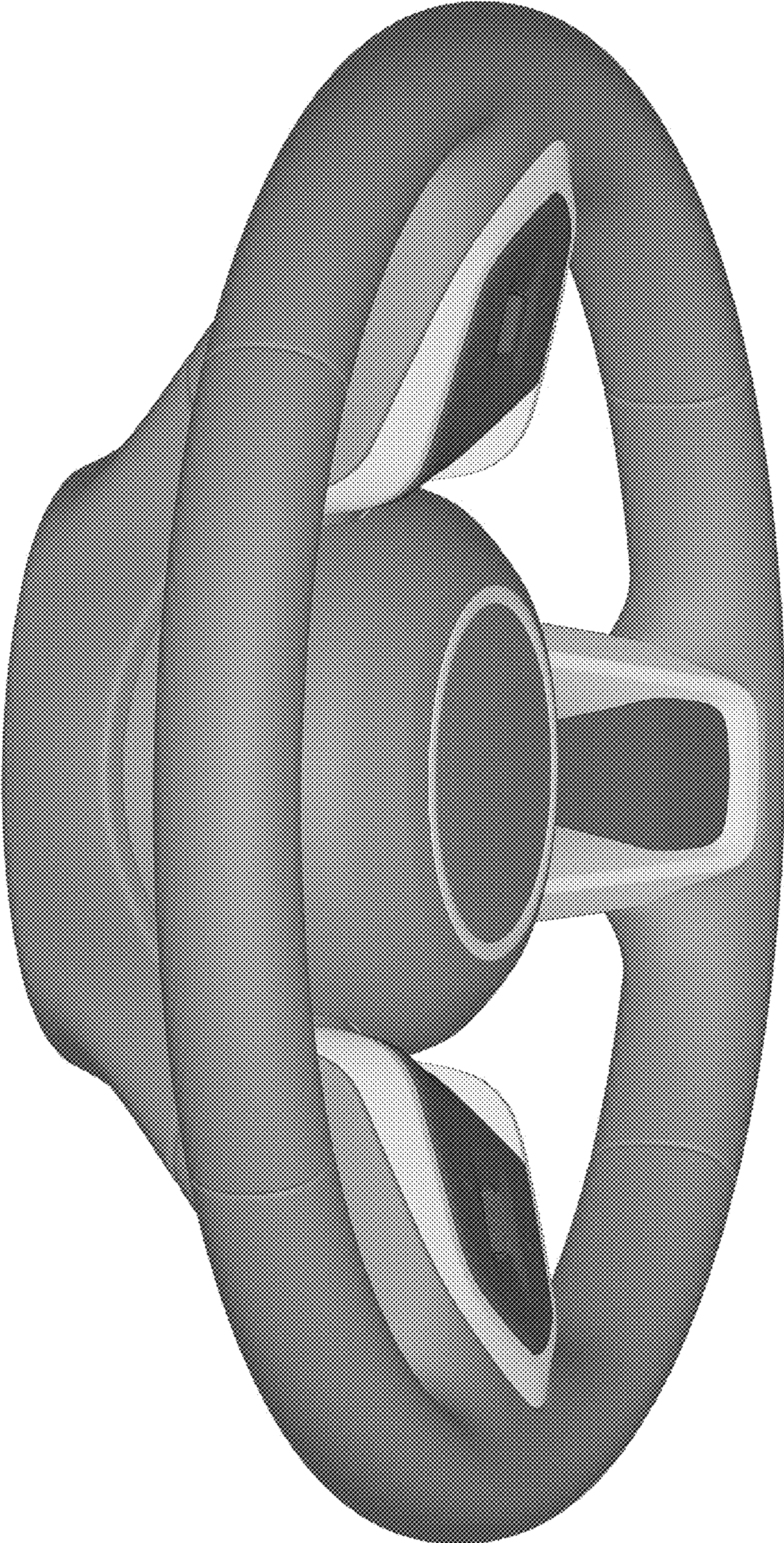


FIG. 7



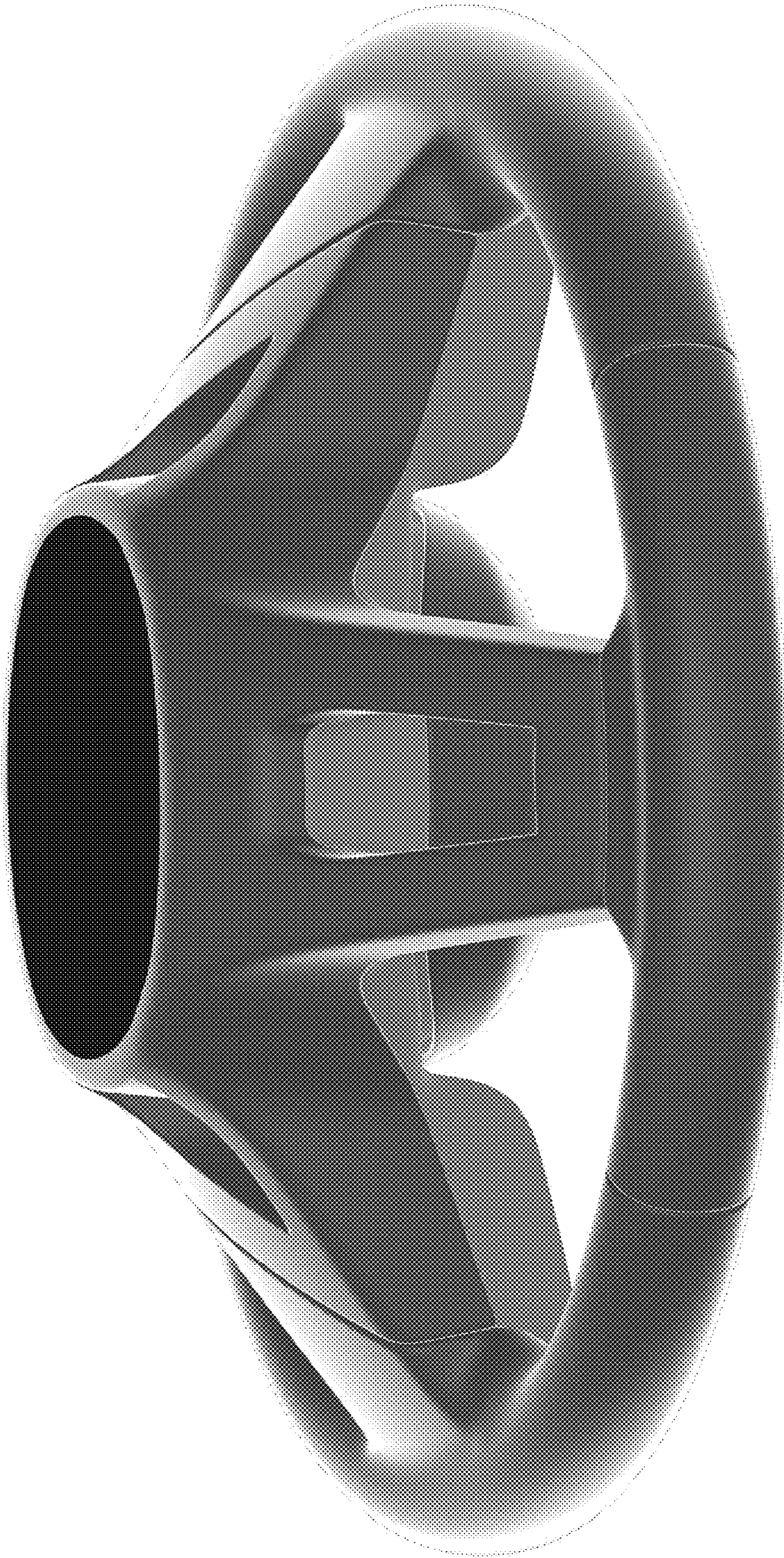


FIG. 8