



US00D910506S

(12) **United States Design Patent** (10) **Patent No.:** **US D910,506 S**
Wheel et al. (45) **Date of Patent:** **** Feb. 16, 2021**

(54) **FRONT BUMPER**
(71) Applicant: **Jaguar Land Rover Limited**, Coventry (GB)
(72) Inventors: **Andrew Wheel**, Coventry (GB); **Borys Dabrowski**, Coventry (GB)
(73) Assignee: **Jaguar Land Rover Limited**, Coventry (GB)
(**) Term: **15 Years**
(21) Appl. No.: **29/688,887**
(22) Filed: **Apr. 25, 2019**
(30) **Foreign Application Priority Data**
Oct. 25, 2018 (EM) 005808474
(51) **LOC (13) Cl.** **12-16**
(52) **U.S. Cl.**
USPC **D12/169**
(58) **Field of Classification Search**
USPC D12/169, 164, 196, 171, 163, 86, 90-92;
293/102, 113, 115, 117, 120; 296/180.1,
296/180.2
CPC B60R 19/02; B60R 19/04; B62D 25/08
See application file for complete search history.

(56) **References Cited**
U.S. PATENT DOCUMENTS
D678,146 S * 3/2013 Behmer D12/169
D695,162 S * 12/2013 Scheinhutte D12/169
D695,164 S * 12/2013 Futschik D12/169
D749,474 S * 2/2016 Battams D12/169

D753,557 S * 4/2016 Frascella D12/169
D782,374 S * 3/2017 Wheel D12/169
D807,800 S * 1/2018 Wheel D12/169
D819,524 S * 6/2018 Behmer D12/169
D834,471 S * 11/2018 Hill D12/169
D839,149 S * 1/2019 Wheel D12/169
D864,804 S * 10/2019 Grewer D12/169
D880,380 S * 4/2020 Battams D12/169

* cited by examiner
Primary Examiner — Melody N Brown
(74) *Attorney, Agent, or Firm* — Wood Herron & Evans LLP

(57) **CLAIM**
The ornamental design for a front bumper, as shown and described.

DESCRIPTION
FIG. 1 is a left, front perspective view of a front bumper showing our new design;
FIG. 2 is a right, rear perspective view thereof;
FIG. 3 is a front elevational view thereof;
FIG. 4 is a rear elevational view thereof;
FIG. 5 is a left side elevational view thereof;
FIG. 6 is a right side elevational view thereof;
FIG. 7 is a top plan view thereof;
FIG. 8 is a bottom plan view thereof; and,
FIG. 9 is another front elevational view thereof shown on a vehicle.
The portions of the vehicle shown in de-emphasized and half-tone form outside the broken lines and the broken lines representing the boundary and configuration of what is claimed as the design are for environmental and illustrative purposes only and form no part of the claimed design.

1 Claim, 9 Drawing Sheets

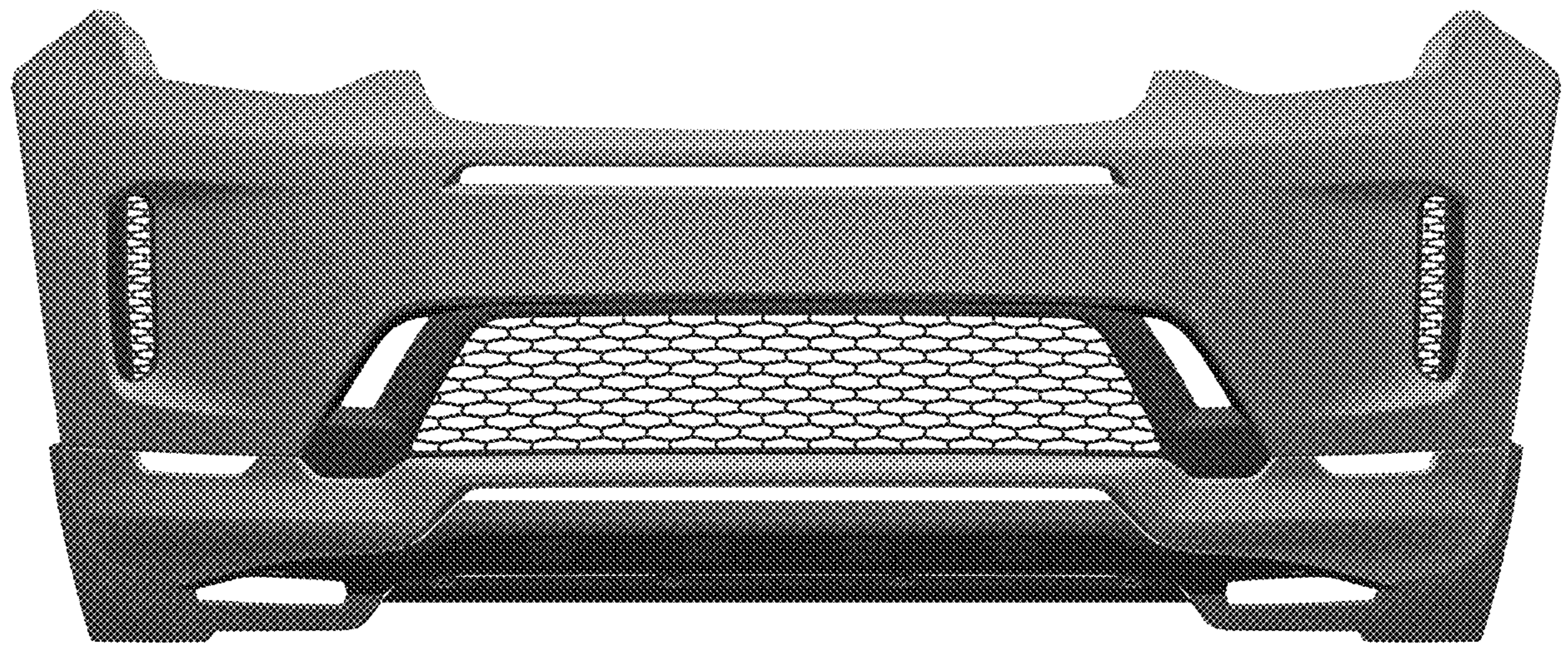




FIG. 1



FIG. 2



FIG. 3

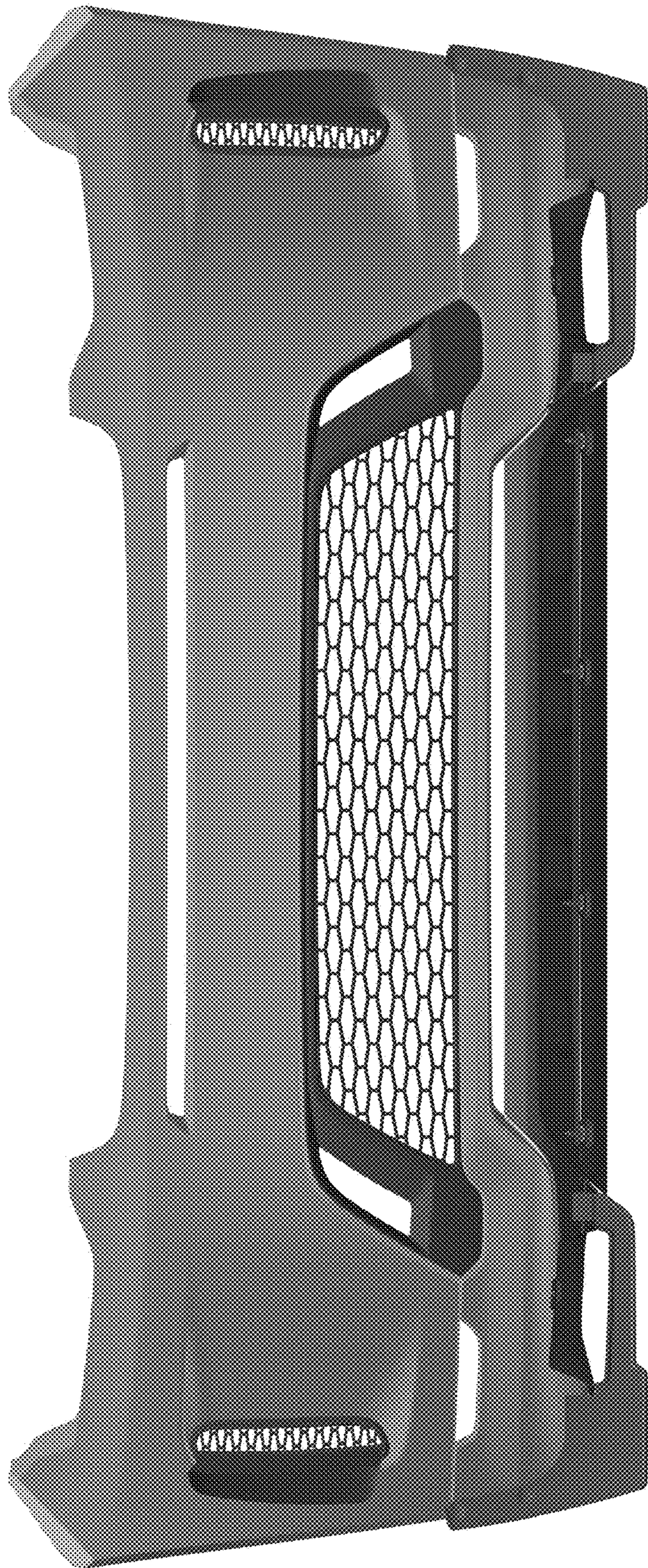


FIG. 4

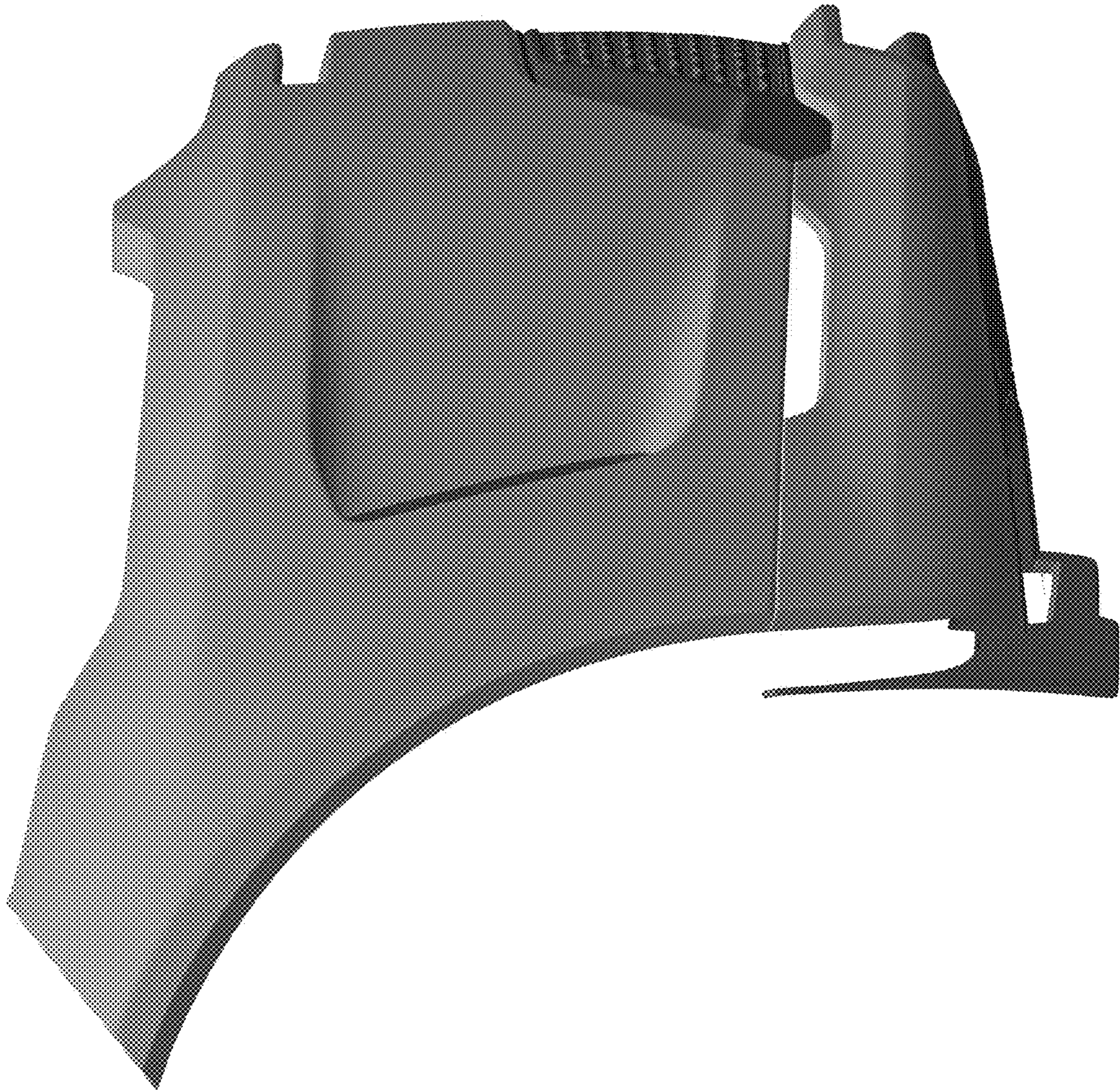


FIG. 5

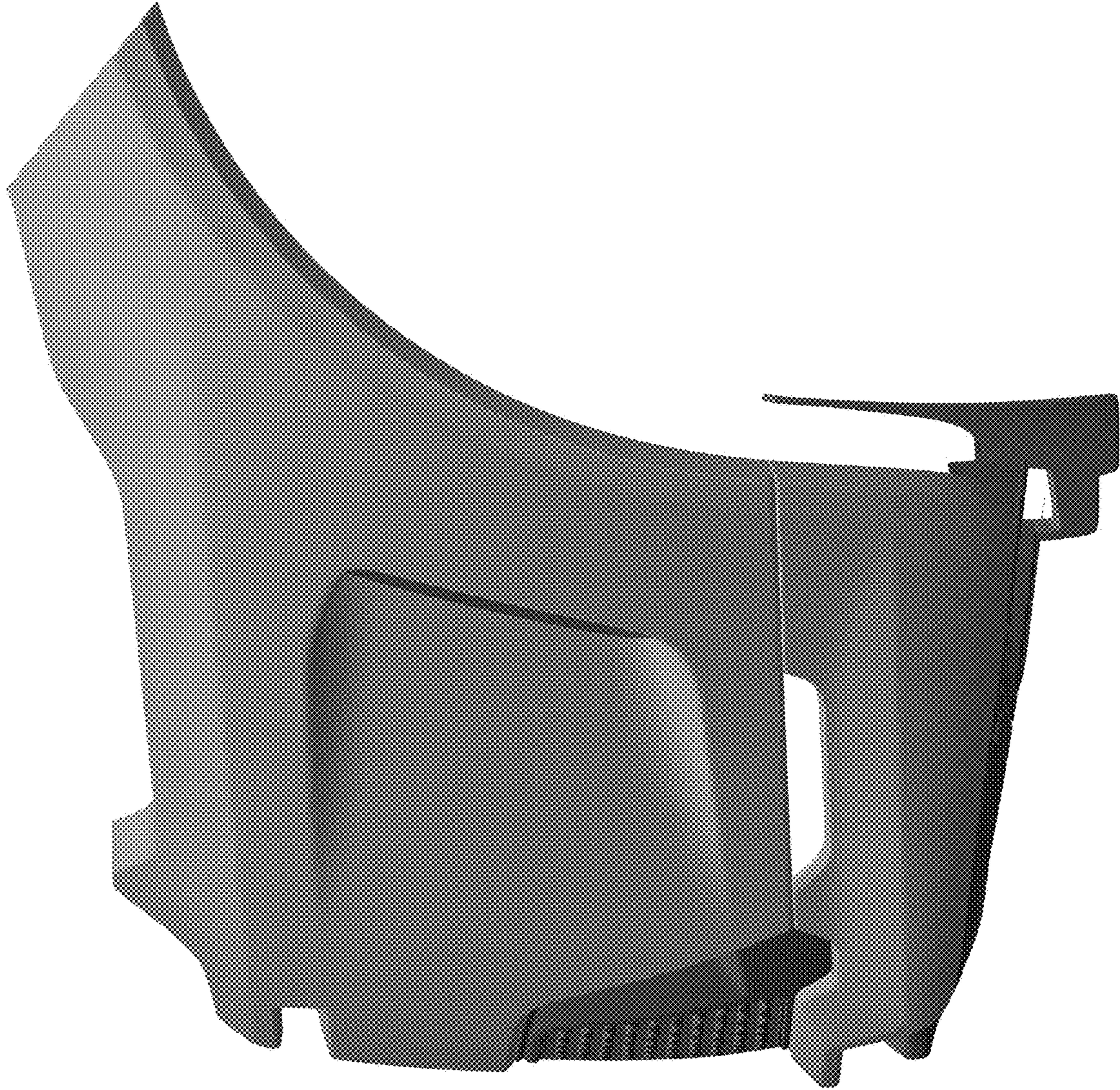


FIG. 6

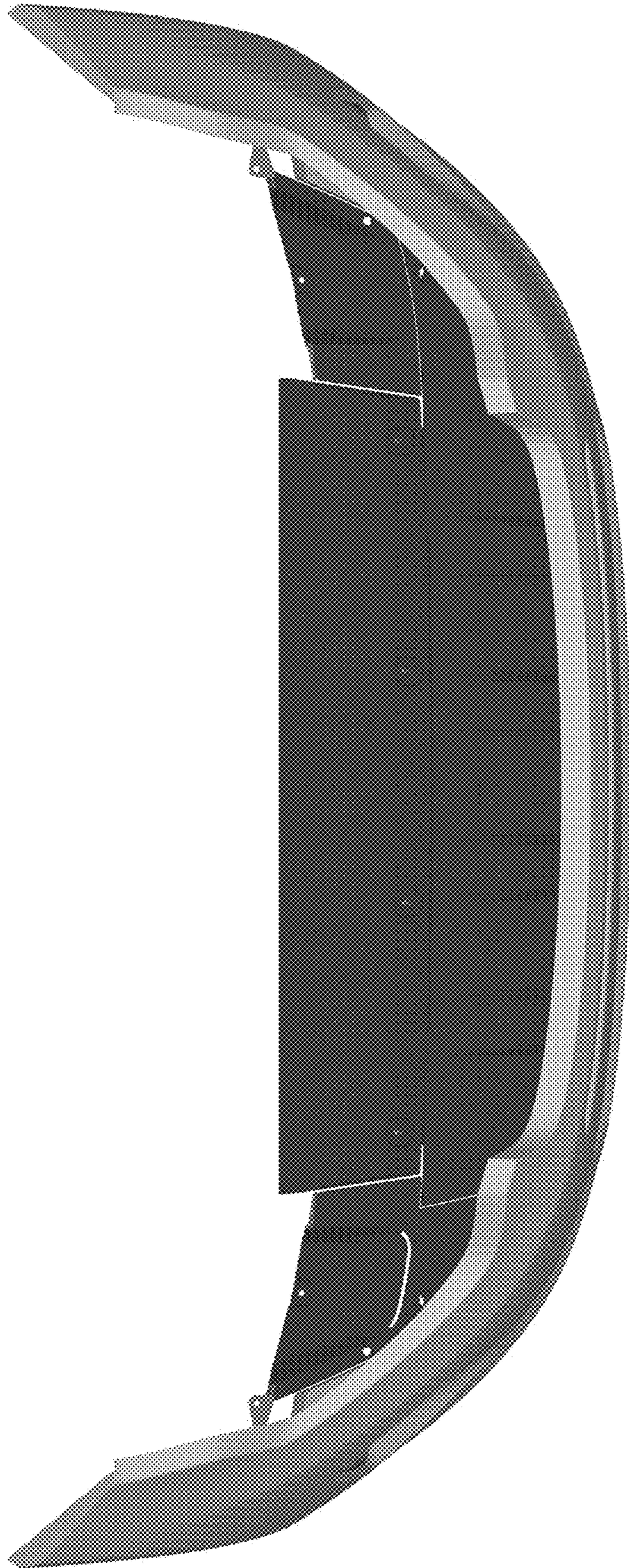


FIG. 7



FIG. 8

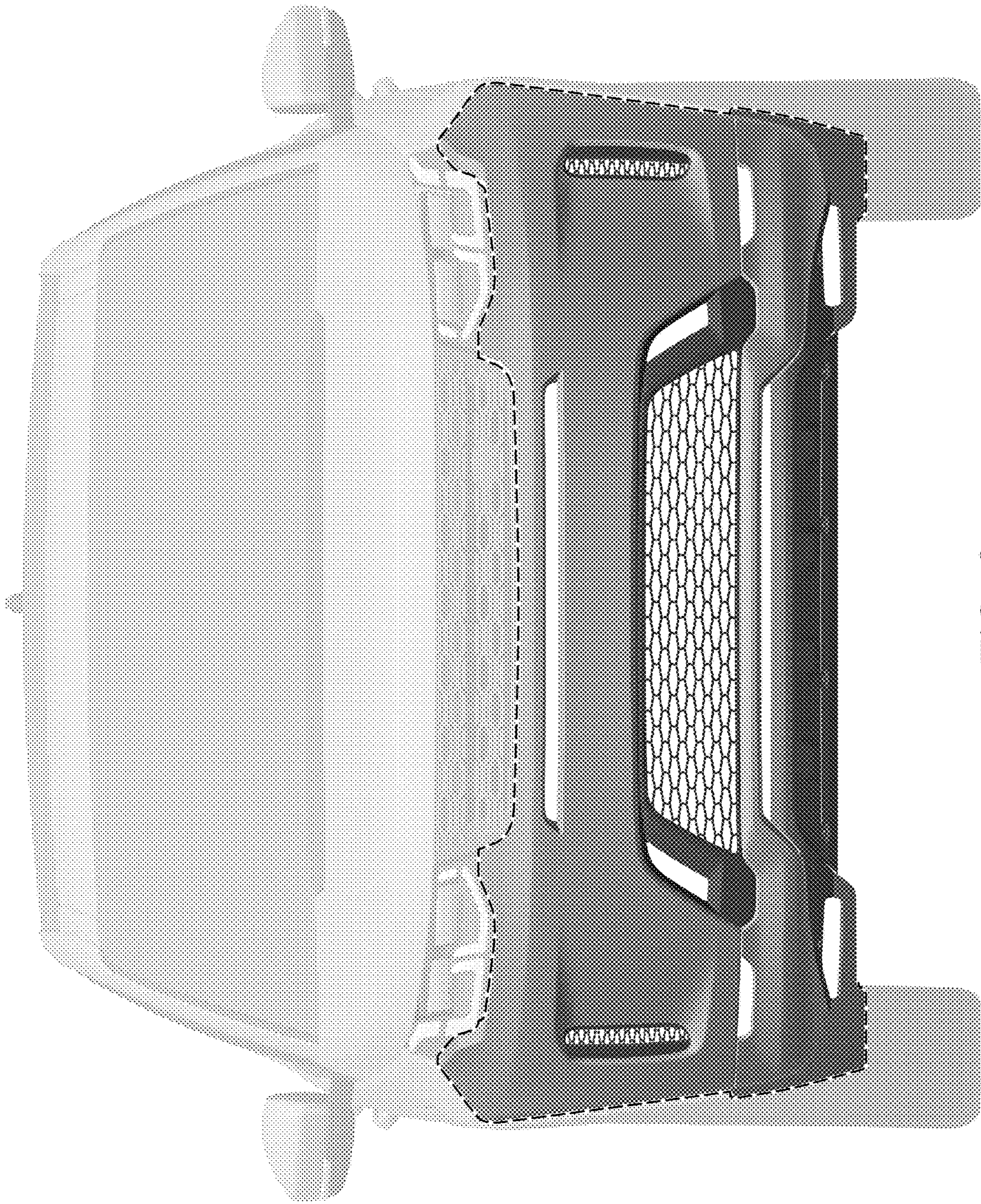


FIG. 9