



US00D910504S

(12) **United States Design Patent** (10) **Patent No.:** **US D910,504 S**  
**Scott et al.** (45) **Date of Patent:** **\*\* Feb. 16, 2021**

(54) **FRONT END**  
(71) Applicants: **Everard J Scott**, Sterling Heights, MI (US); **Michael Gillam**, Oxford, MI (US); **Gregory A. Howell**, Farmington, MI (US)  
(72) Inventors: **Everard J Scott**, Sterling Heights, MI (US); **Michael Gillam**, Oxford, MI (US); **Gregory A. Howell**, Farmington, MI (US)  
(73) Assignee: **FCA US LLC**, Auburn Hills, MI (US)  
(\*\*) Term: **15 Years**  
(21) Appl. No.: **29/732,170**  
(22) Filed: **Apr. 22, 2020**

D798,201 S \* 9/2017 Zavatski ..... D12/169  
D828,227 S \* 9/2018 Ninov ..... D12/98  
D836,032 S \* 12/2018 Ninov ..... D12/98  
D836,033 S \* 12/2018 Ninov ..... D12/98  
D836,034 S \* 12/2018 Scott ..... D12/98  
D836,035 S \* 12/2018 Scott ..... D12/98  
D836,036 S \* 12/2018 Ninov ..... D12/98  
D837,099 S \* 1/2019 Ninov ..... D12/98  
D837,694 S \* 1/2019 Ninov ..... D12/98  
D842,776 S \* 3/2019 Basnjanov ..... D12/169  
D847,029 S \* 4/2019 Ninov ..... D12/98  
D847,030 S \* 4/2019 Ninov ..... D12/98  
D860,073 S \* 9/2019 Ninov ..... D12/164  
D860,881 S \* 9/2019 Ninov ..... D12/164  
D860,882 S \* 9/2019 Ninov ..... D12/164  
D887,913 S \* 6/2020 Scott ..... D12/164  
D893,362 S \* 8/2020 Ninov ..... D12/164  
D893,363 S \* 8/2020 Ninov ..... D12/164  
D893,364 S \* 8/2020 Gillam ..... D12/164

\* cited by examiner

Primary Examiner — Melody N Brown

(74) Attorney, Agent, or Firm — Ralph E. Smith

**Related U.S. Application Data**

(62) Division of application No. 29/673,678, filed on Dec. 17, 2018, now Pat. No. Des. 887,913.  
(51) **LOC (13) Cl.** ..... **12-16**  
(52) **U.S. Cl.**  
USPC ..... **D12/164; D12/98**  
(58) **Field of Classification Search**  
USPC ..... D12/90–92, 86, 196, 163, 164, 169;  
293/102, 113, 115, 117, 120; 296/180.1,  
296/180.2; 280/181.1, 181.5  
CPC ..... B62D 35/00; B62D 25/00; B62D 25/06;  
B62D 33/00  
See application file for complete search history.

(57) **CLAIM**

The ornamental design for a front end, as shown and described.

**DESCRIPTION**

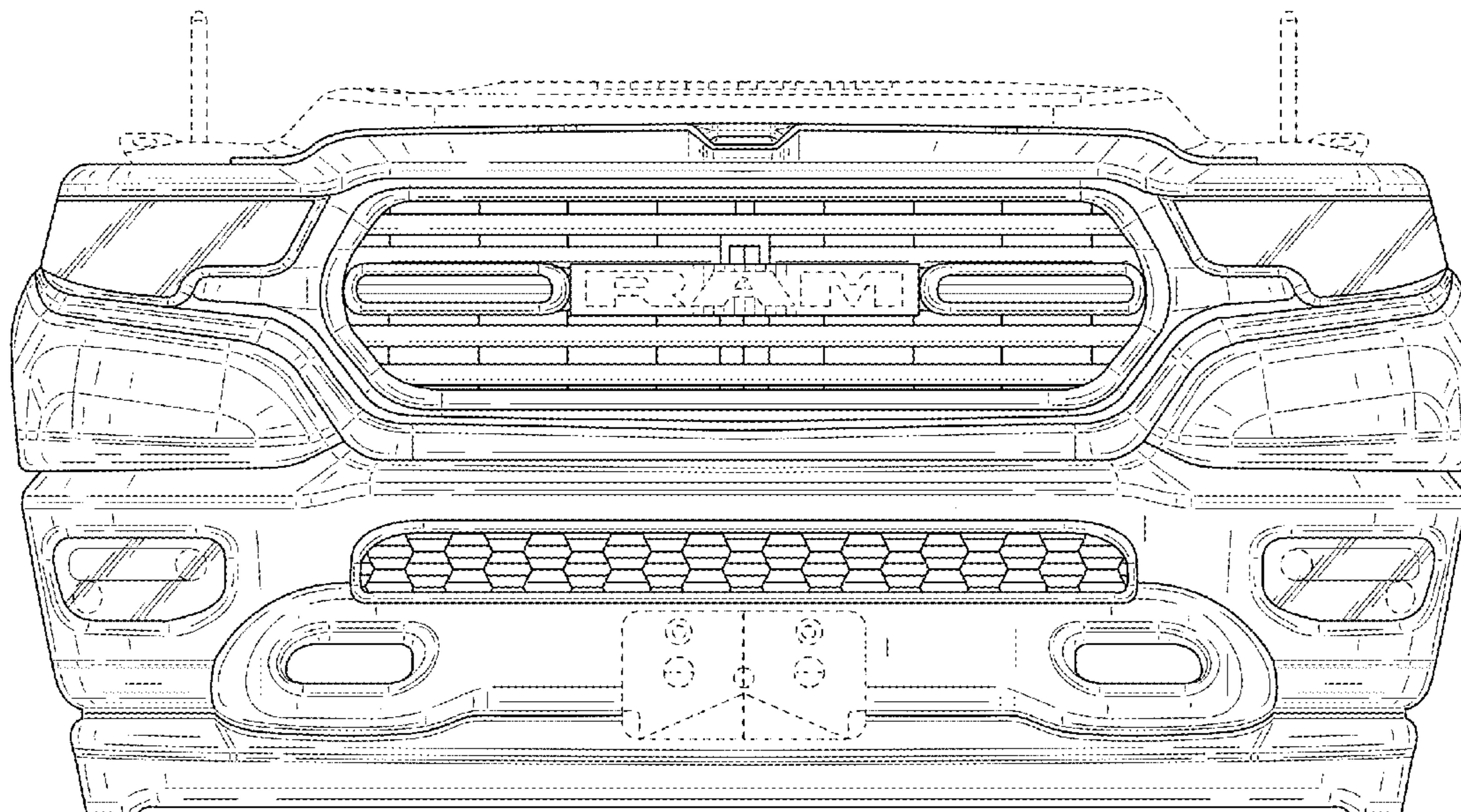
FIG. 1 is a front perspective view of a front end showing our new design;  
FIG. 2 is a front view thereof;  
FIG. 3 is a rear view thereof;  
FIG. 4 is a right side view thereof;  
FIG. 5 is a left side view thereof;  
FIG. 6 is a top view thereof; and,  
FIG. 7 is a bottom view thereof.  
It will be understood that the broken lines shown in the drawings illustrate portions of the front end that form no part of the claimed design.

(56) **References Cited**

**U.S. PATENT DOCUMENTS**

D761,163 S \* 7/2016 Sato ..... D12/164  
D790,413 S \* 6/2017 Doyle ..... D12/164

**1 Claim, 6 Drawing Sheets**



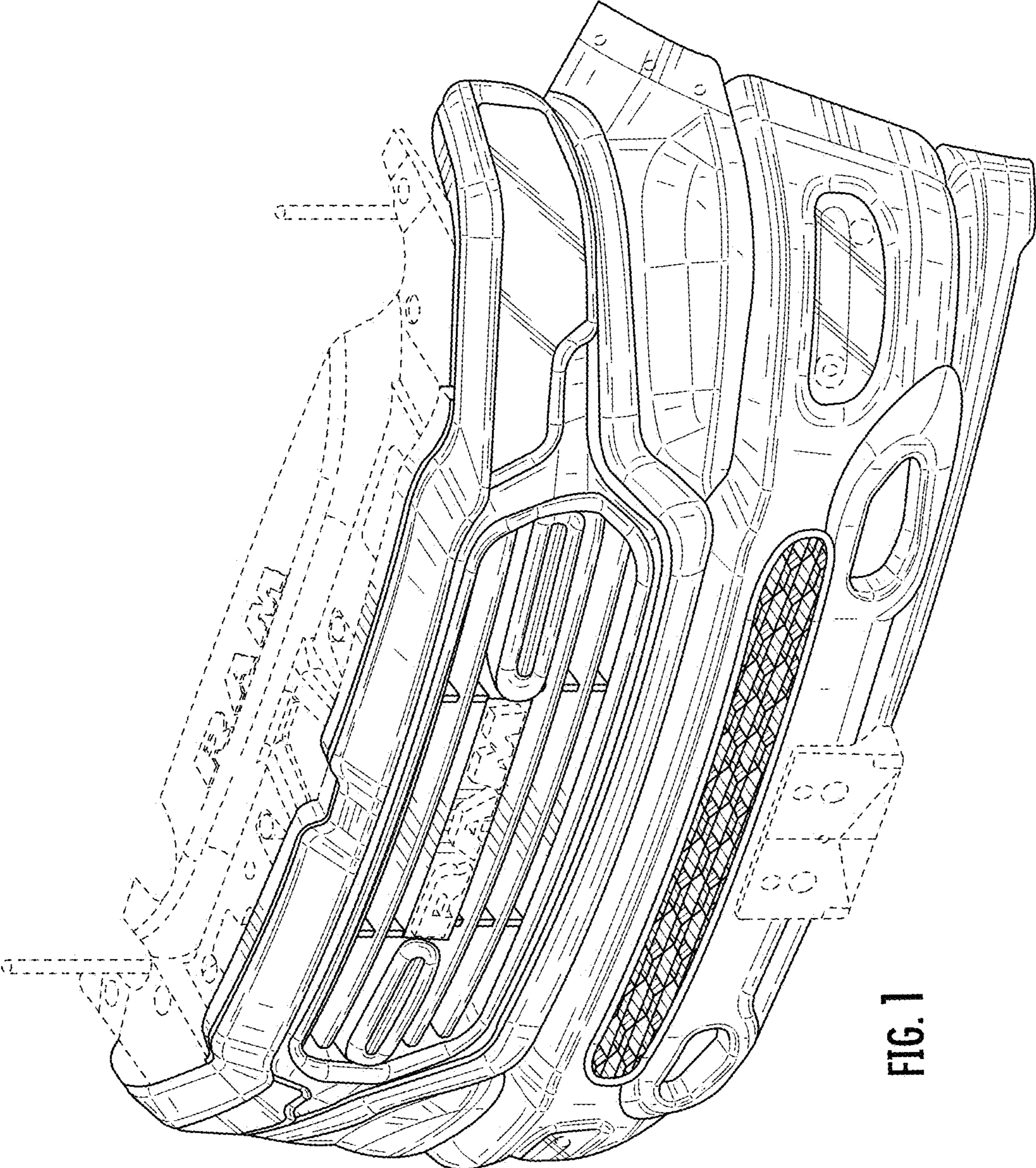


FIG. 1



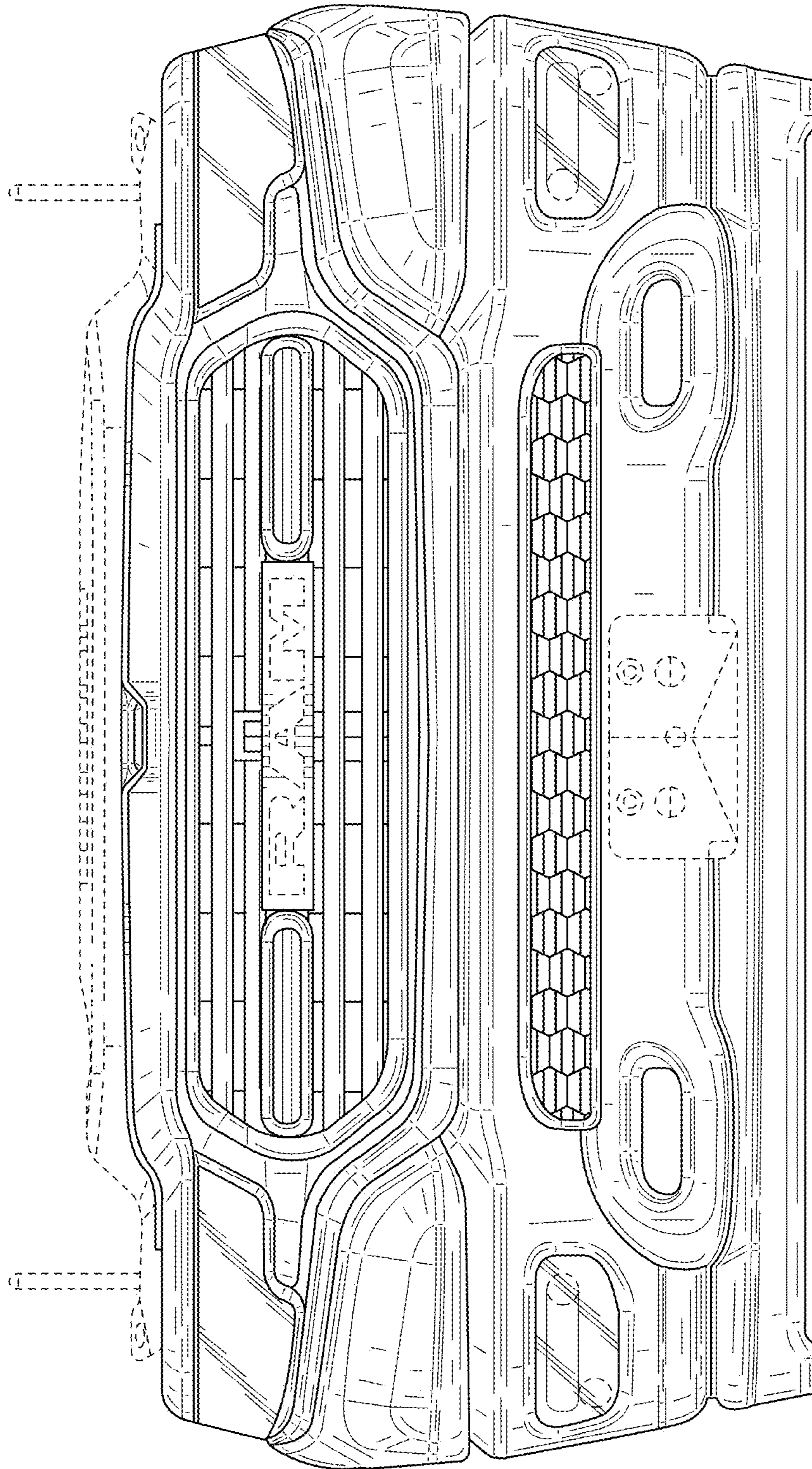


FIG. 2

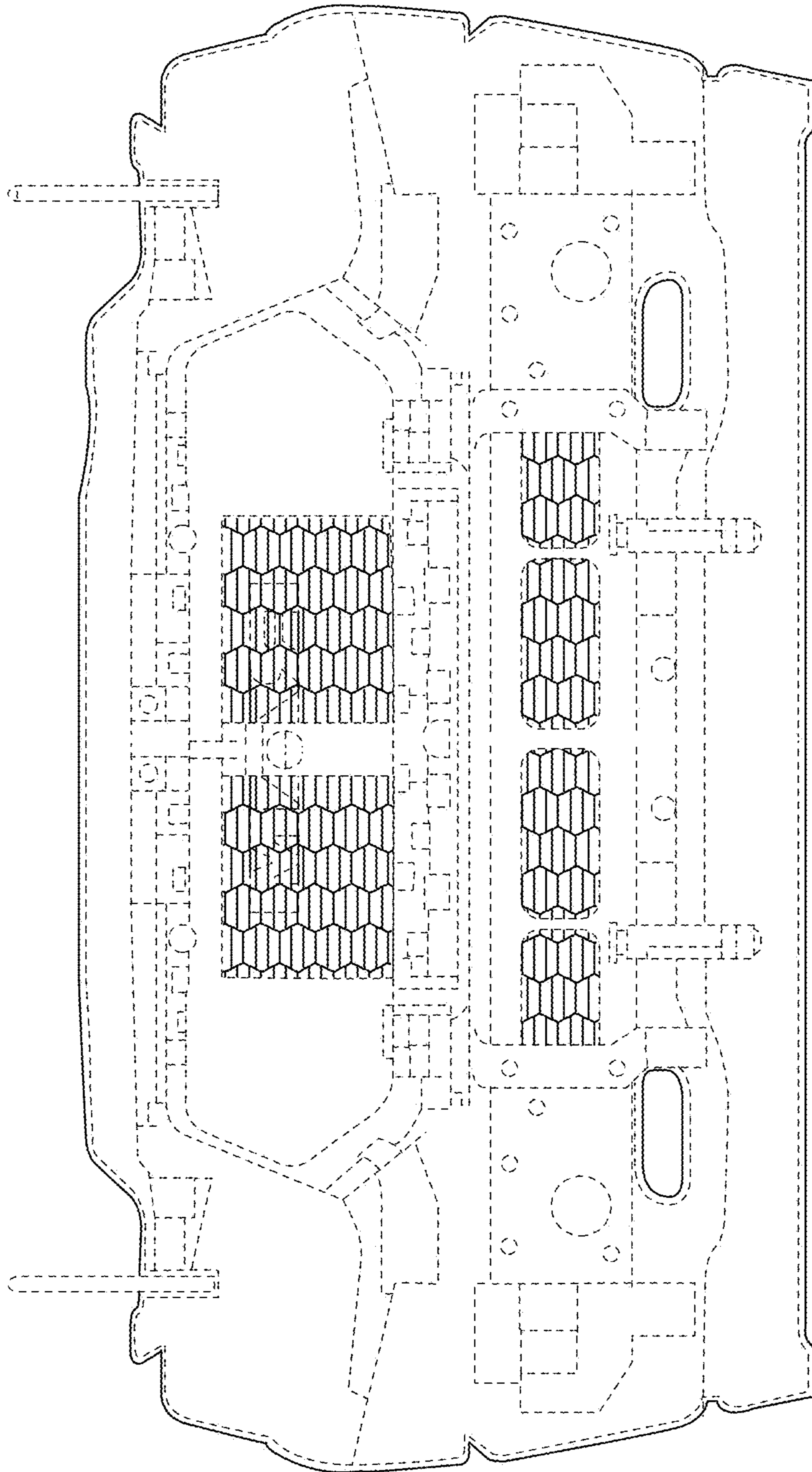


FIG. 3



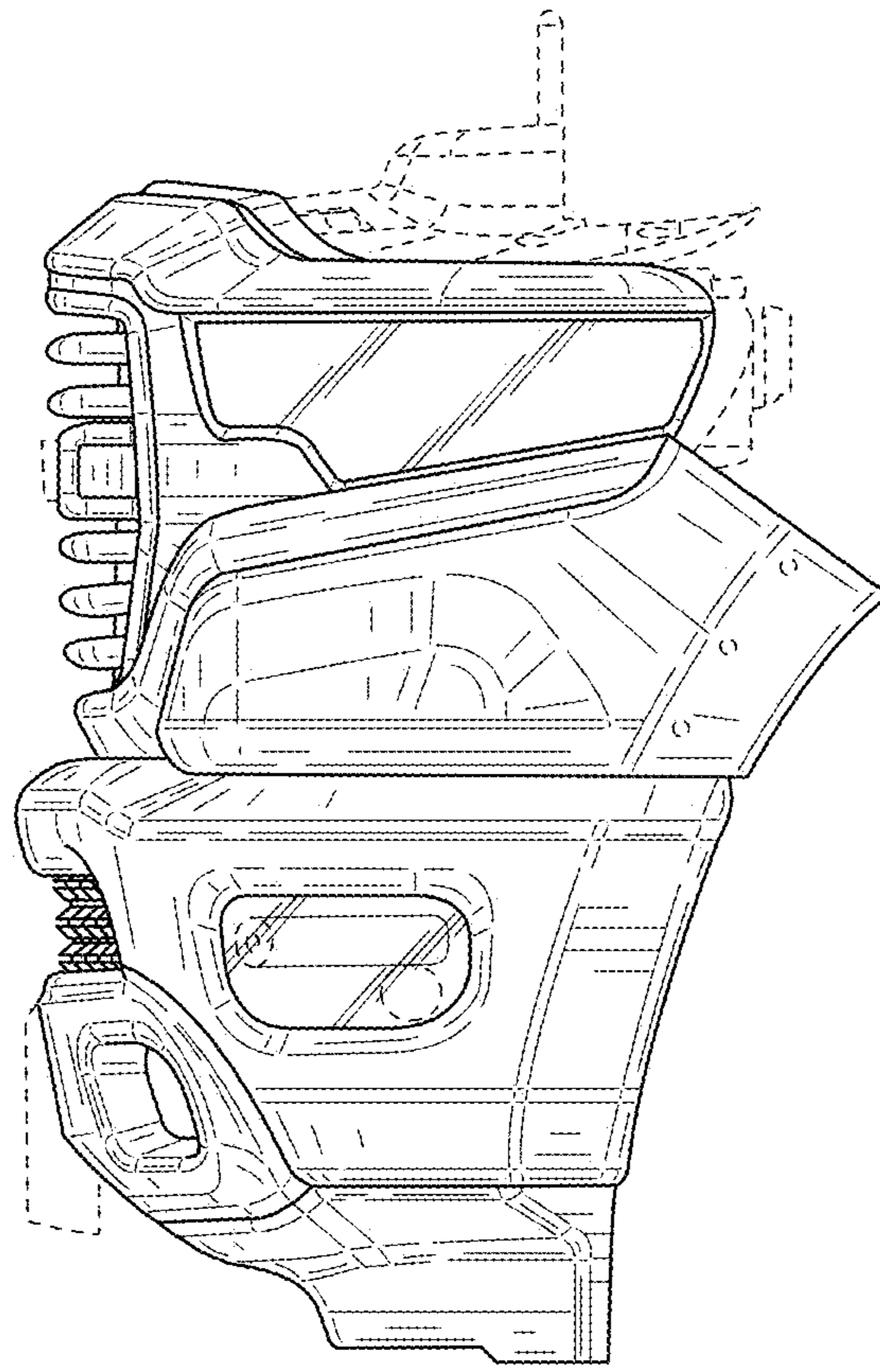


FIG. 4

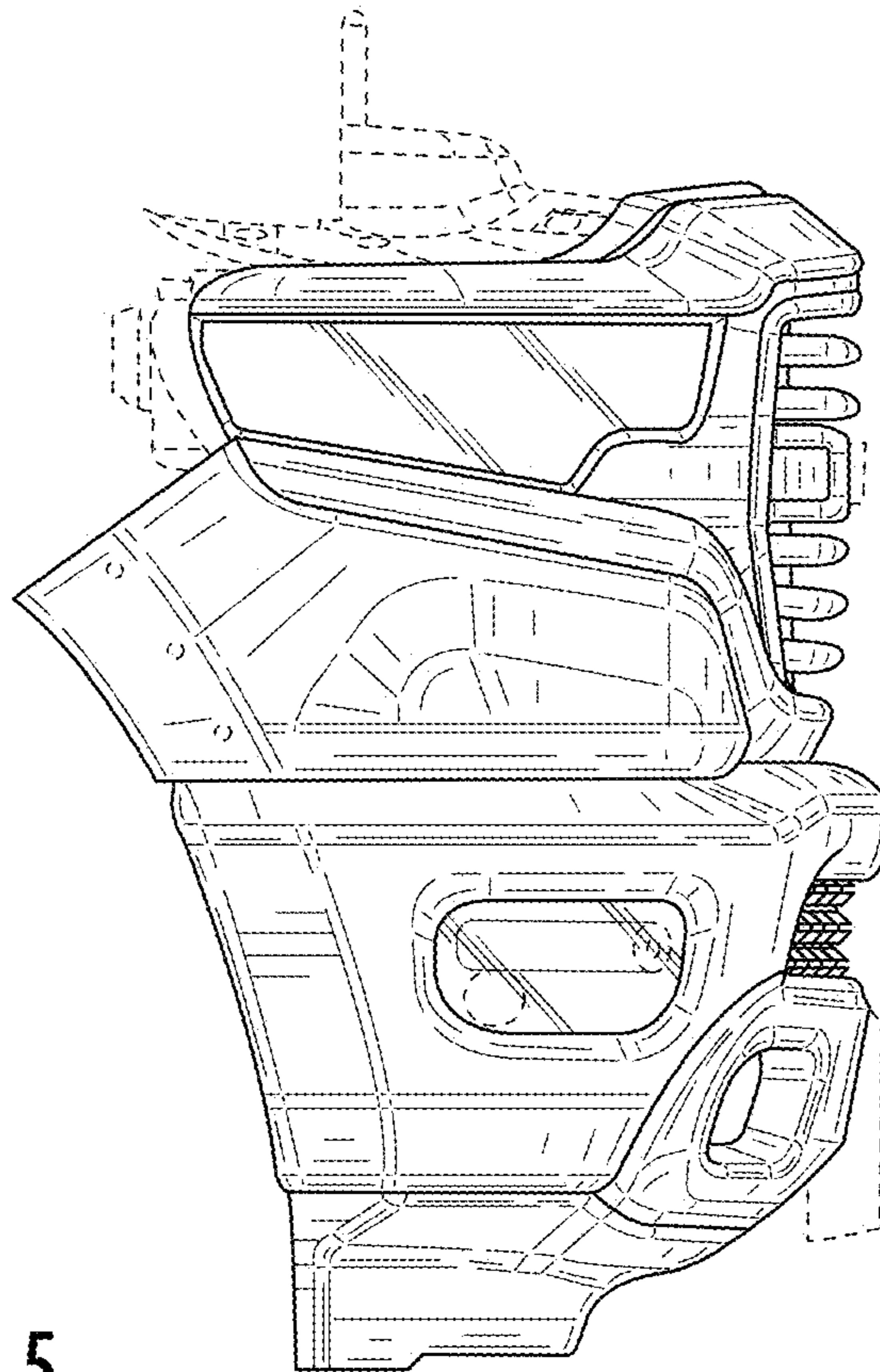


FIG. 5

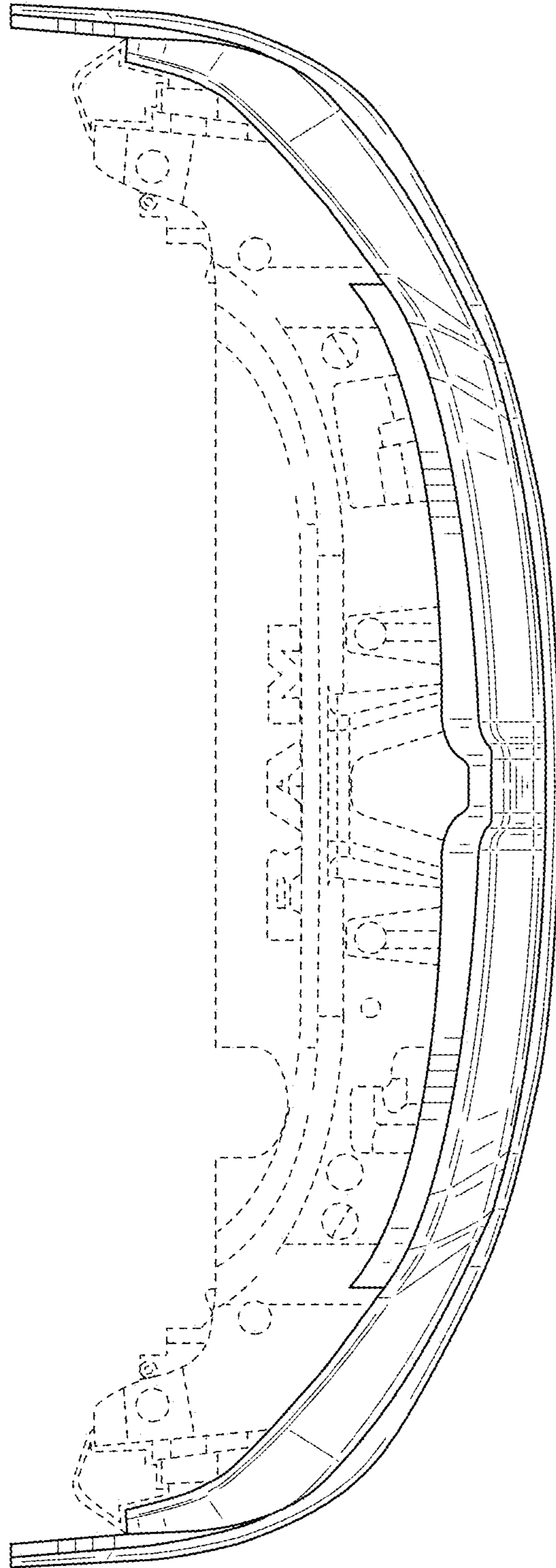


FIG. 6

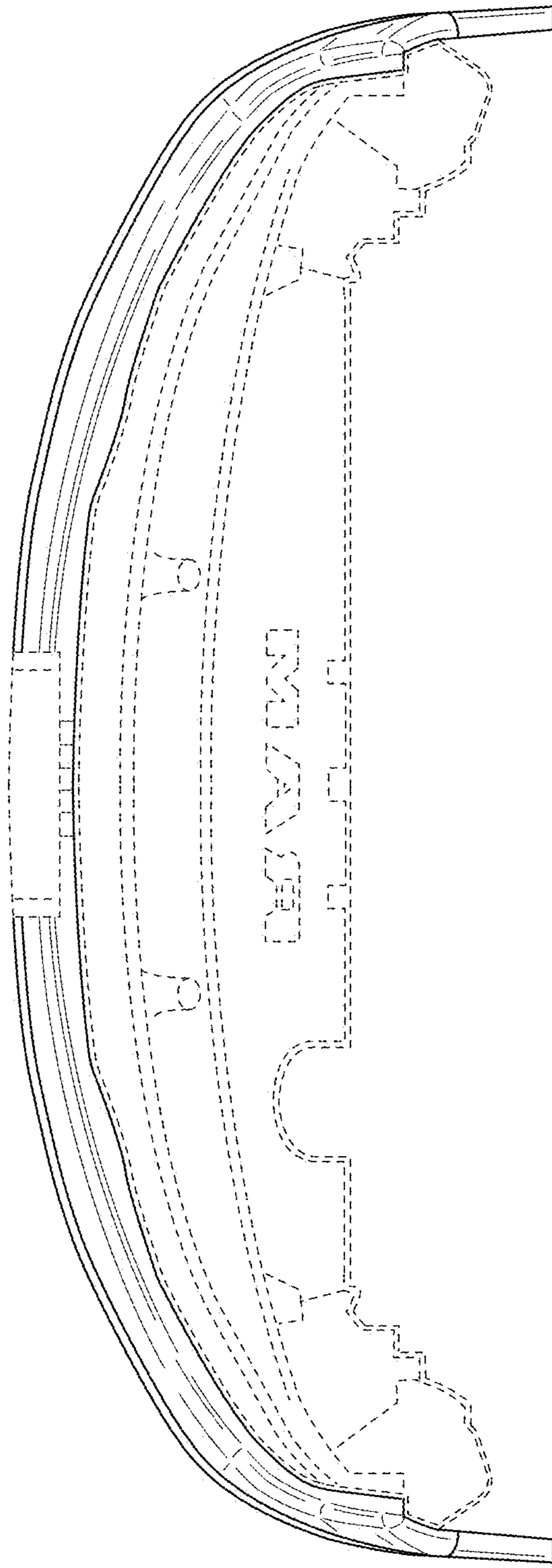


FIG. 7