



US00D910501S

(12) **United States Design Patent**
Cox et al.

(10) **Patent No.:** **US D910,501 S**

(45) **Date of Patent:** **** Feb. 16, 2021**

(54) **RADIATOR GRILLE UNIT FOR A VEHICLE**

(71) Applicant: **Daimler AG**, Stuttgart (DE)

(72) Inventors: **Austin Cox**, Portland, OR (US);
Christopher Jory, Warren, OR (US)

(73) Assignee: **Daimler AG**, Stuttgart (DE)

(**) Term: **15 Years**

(21) Appl. No.: **29/692,581**

(22) Filed: **May 28, 2019**

(51) **LOC (13) Cl.** **12-16**

(52) **U.S. Cl.**
USPC **D12/163**

(58) **Field of Classification Search**
USPC D12/86, 90, 91, 92, 163, 169, 171, 181,
D12/184, 196
CPC B62D 33/0617; B62D 53/0821; B60G
2300/07; B60R 13/04; B60R 19/00; B60R
19/52; B60R 19/54; G06F 3/048; H04L
51/04; H04L 51/28
See application file for complete search history.

(56) **References Cited**

U.S. PATENT DOCUMENTS

D647,827 S	*	11/2011	Medina	D12/163
D655,226 S	*	3/2012	Hanson	D12/163
D673,489 S	*	1/2013	Hanson	D12/196
D710,765 S	*	8/2014	Conway	D12/163
D738,274 S	*	9/2015	Hanson	D12/173
D765,566 S	*	9/2016	Vena	D12/163
D772,759 S	*	11/2016	Lindloff	D12/114
D774,994 S	*	12/2016	Aleman	D12/163
D786,742 S	*	5/2017	Ito	D12/163
D802,491 S	*	11/2017	Mainville	D12/163
D803,731 S	*	11/2017	Zipfel	D12/163
D825,407 S	*	8/2018	Heyde	D12/163
D830,242 S	*	10/2018	Zipfel	D12/163
D835,011 S	*	12/2018	Peltola et al.	D12/163

D845,184 S	*	4/2019	Zipfel	D12/163
D859,233 S	*	9/2019	Izard	D12/163
D863,129 S	*	10/2019	Zipfel	D12/163
D864,053 S	*	10/2019	Zipfel	D12/163
D869,351 S	*	12/2019	Duncan	D12/163
D869,352 S	*	12/2019	Duncan	D12/163
D873,726 S	*	1/2020	Zipfel	D12/163
D885,260 S	*	5/2020	Peltola	D12/163
D885,261 S	*	5/2020	Zipfel	D12/163
D885,264 S	*	5/2020	Lenz, Jr.	D12/164
2009/0085361 A1	*	4/2009	Rosen	B60R 13/04 293/120

OTHER PUBLICATIONS

Daimler's heavy trucks start self-driving some of the way. Automotive News Europe. Jan. 8, 2019 <https://europe.autonews.com/automakers/daimlers-heavy-trucks-start-self-driving-some-way>.
Electric Daimler eCascadia Truck Unveiling. Youtube. Jun. 7, 2018. <https://www.youtube.com/watch?v=SYMVRIGrwfs>.

* cited by examiner

Primary Examiner — Janice Hallmark
Assistant Examiner — Suzanne E Tisdell
(74) *Attorney, Agent, or Firm* — Crowell & Moring LLP

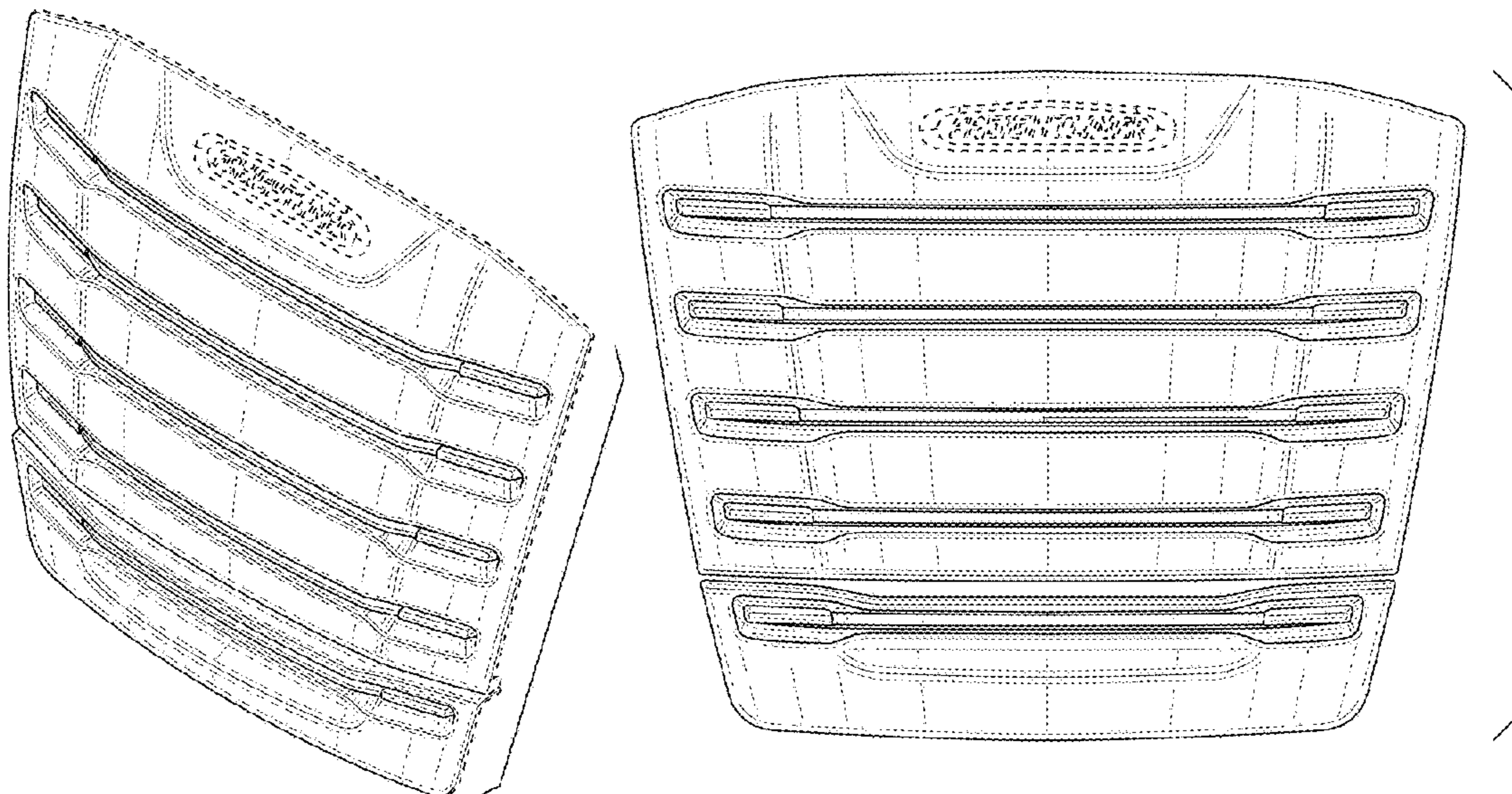
(57) **CLAIM**

The ornamental design for a radiator grille unit for a vehicle, as shown and described.

DESCRIPTION

FIG. 1 is a right, front perspective view of a radiator grille unit for a vehicle according to the design;
FIG. 2 is a front view thereof;
FIG. 3 is a right side view thereof; and,
FIG. 4 is a top view thereof.
The broken lines in the drawings illustrate portions of the radiator grille unit for a vehicle that form no part of the claimed design.

1 Claim, 4 Drawing Sheets



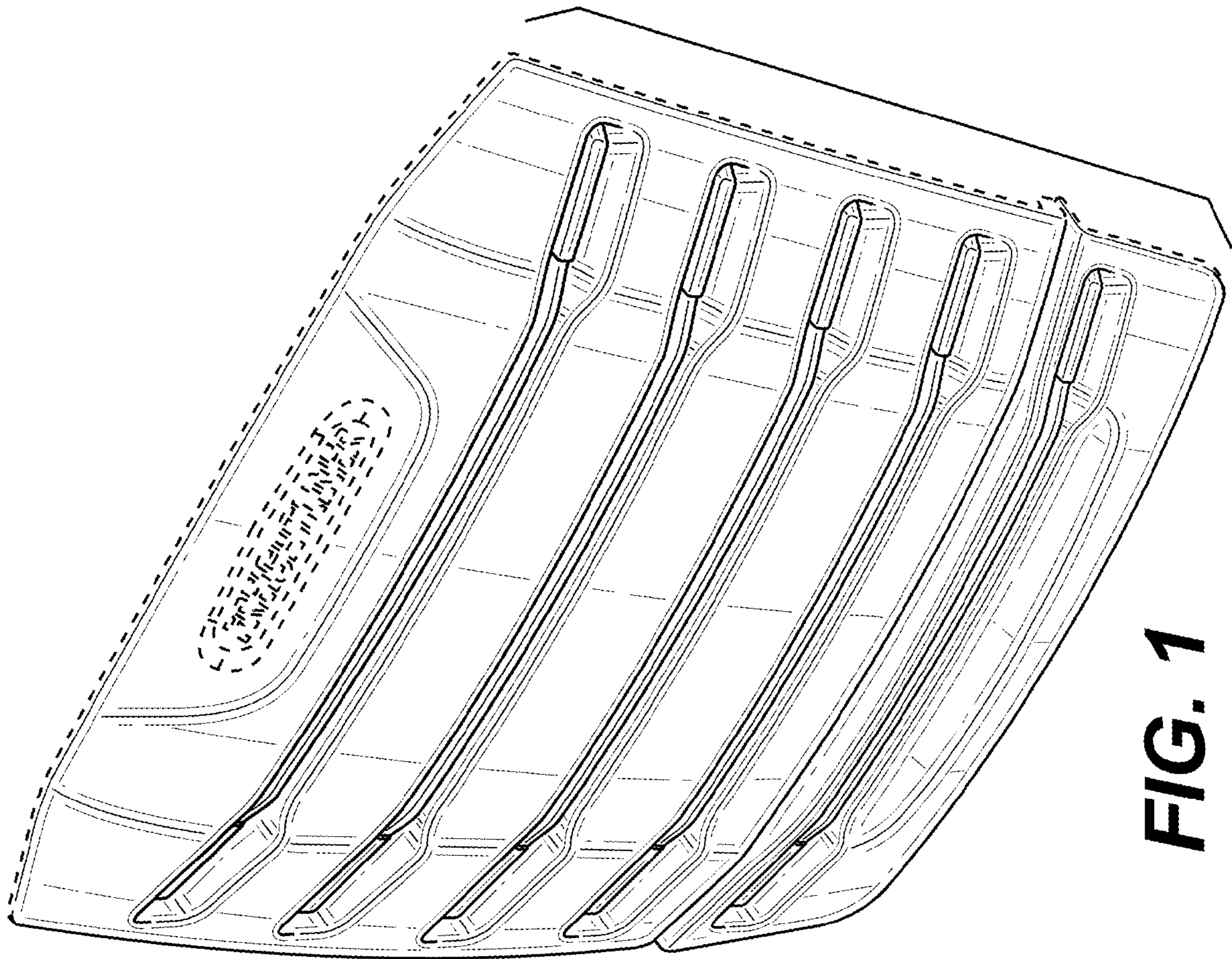


FIG. 1

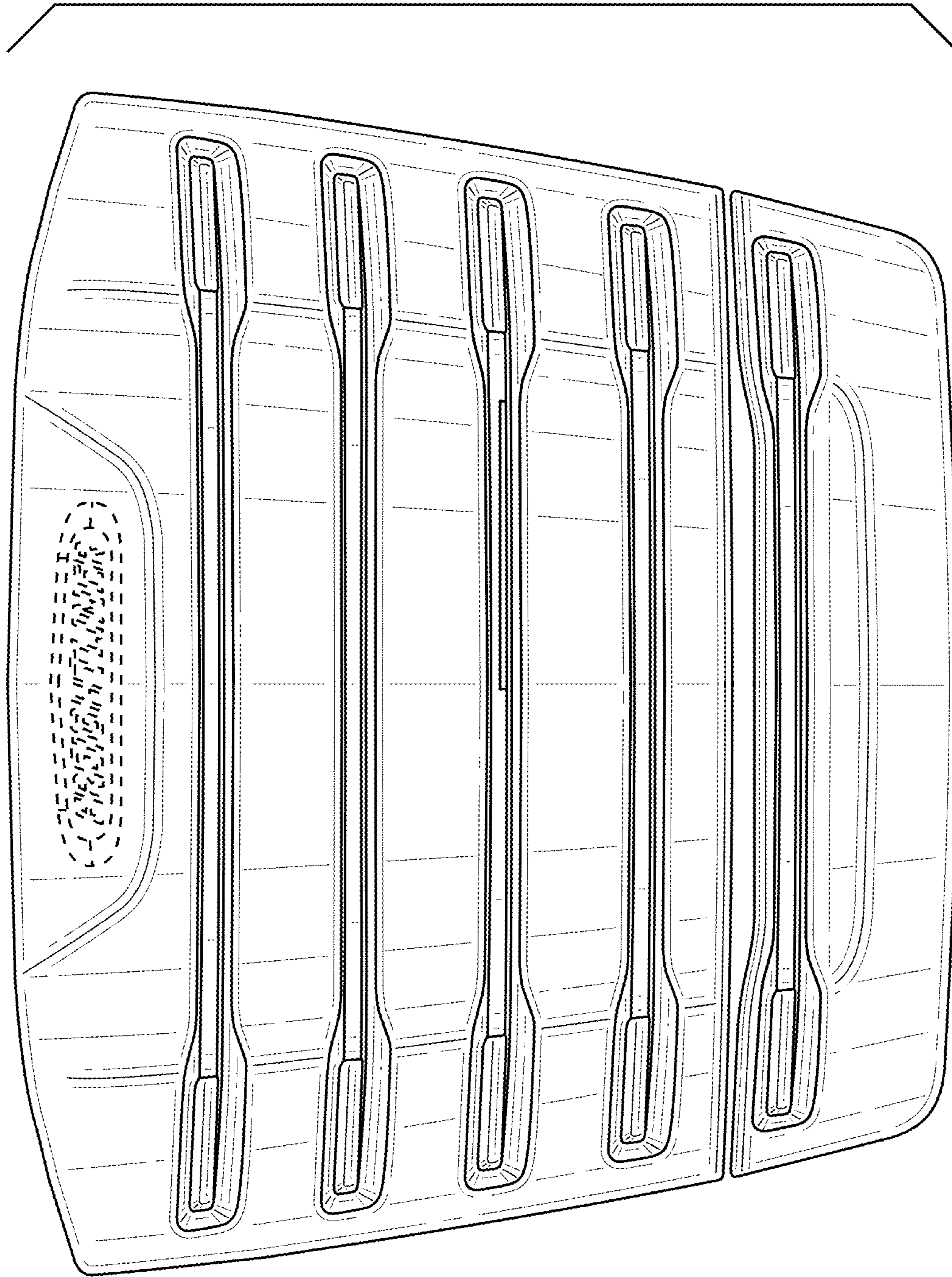


FIG. 2

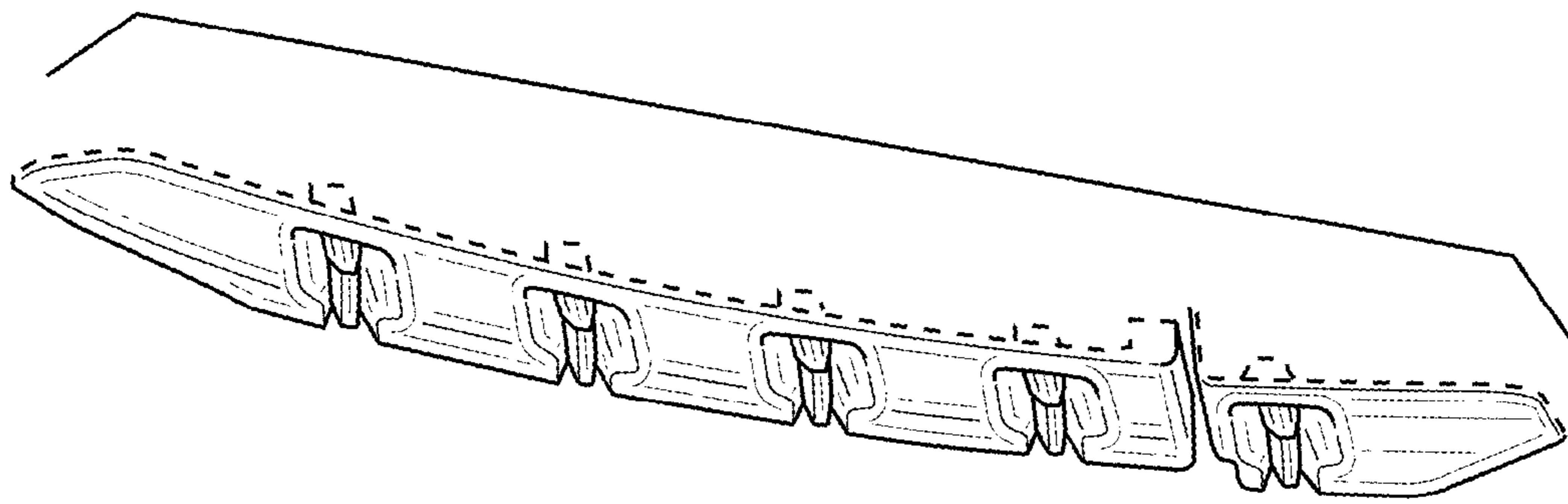


FIG. 3

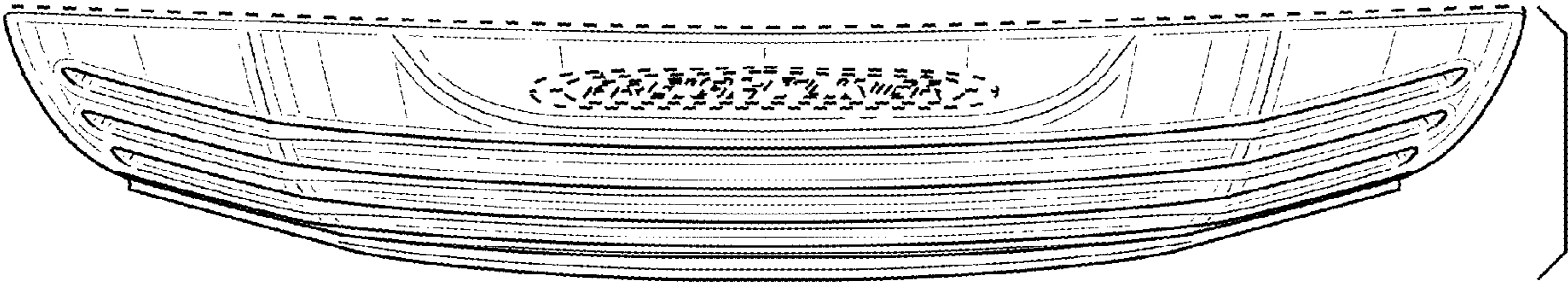


FIG. 4