



US00D910500S

(12) **United States Design Patent**  
**Burkholder**

(10) **Patent No.:** **US D910,500 S**

(45) **Date of Patent:** **\*\* Feb. 16, 2021**

(54) **MOBILE BASE FOR INFANT CAR SEAT**

(71) Applicant: **Alison P. Burkholder**, Haymarket, VA  
(US)

(72) Inventor: **Alison P. Burkholder**, Haymarket, VA  
(US)

(\*\*) Term: **15 Years**

(21) Appl. No.: **29/701,665**

(22) Filed: **Aug. 13, 2019**

(51) **LOC (13) Cl.** ..... **12-12**

(52) **U.S. Cl.**  
USPC ..... **D12/133**

(58) **Field of Classification Search**  
USPC ..... D12/128-133  
CPC ..... B62B 7/00-04; B62B 9/00-28  
See application file for complete search history.

7,311,353 B1 12/2007 Johnson  
7,540,507 B1 6/2009 Kennedy  
7,624,954 B2 12/2009 Randle, Jr. et al.  
D620,722 S \* 8/2010 Adams ..... D6/366  
D632,904 S \* 2/2011 Adams ..... D6/708.23  
8,844,947 B1 \* 9/2014 Whiteside ..... B25H 5/00  
280/32.6  
8,973,926 B1 \* 3/2015 Lensing ..... A47C 9/027  
280/32.5  
9,260,039 B1 2/2016 Satterfield  
D815,442 S \* 4/2018 Harmon ..... D6/349  
10,136,731 B1 \* 11/2018 Garza ..... A47C 3/40

\* cited by examiner

*Primary Examiner* — Charles D Hanson

(74) *Attorney, Agent, or Firm* — Staas & Halsey LLP

(57) **CLAIM**

The ornamental design for a mobile base for infant car seat, as shown and described.

**DESCRIPTION**

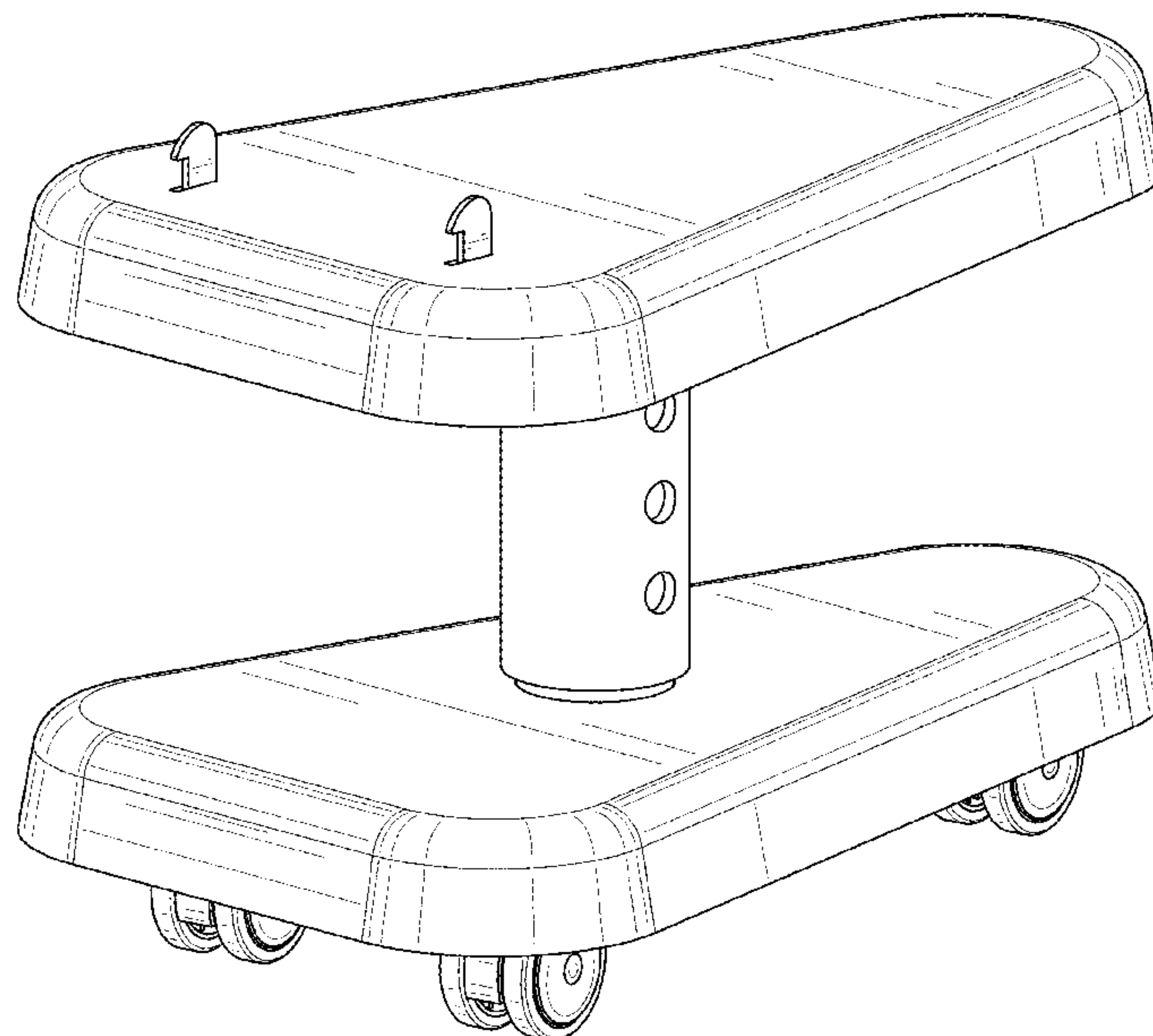
FIG. 1 is a perspective view of the mobile base for an infant car seat from the top, rear and right showing my new design; FIG. 2 is a side view of the infant seat mobile base from the left; FIG. 3 is a side view of the infant seat mobile base from the right; FIG. 4 is a front view of the infant seat mobile base; FIG. 5 is a rear view of the infant seat mobile base; FIG. 6 is a perspective view of the infant seat mobile base from the bottom, front and left; and, FIG. 7 is a side view of the infant seat mobile base from the left with an infant seat mounted on the base. The broken lines shown in the drawings are for the purpose of illustrating environmental structures or portions of the infant seat mobile base that form no part of the claimed design.

(56) **References Cited**

**U.S. PATENT DOCUMENTS**

2,435,733 A 6/1946 Belyeu  
2,574,743 A 11/1951 King  
3,944,241 A 3/1976 Epelbaum  
4,537,414 A 8/1985 Nusbaum  
4,570,956 A 2/1986 Dyer  
4,620,711 A 11/1986 Dick  
4,632,409 A 12/1986 Hall et al.  
4,762,331 A 8/1988 Tucker et al.  
D298,019 S 10/1988 McMillen  
4,828,281 A 5/1989 Sanchas  
4,852,894 A 8/1989 Dyer  
4,874,182 A 10/1989 Clark  
4,878,680 A 11/1989 Molnar  
5,149,113 A 9/1992 Alldredge  
5,234,224 A 8/1993 Kim  
5,474,311 A 12/1995 Tyciak et al.  
6,296,259 B1 10/2001 Anderson  
6,938,915 B2 9/2005 Bischoff et al.  
D531,419 S \* 11/2006 Whiteside ..... D6/352

**1 Claim, 7 Drawing Sheets**



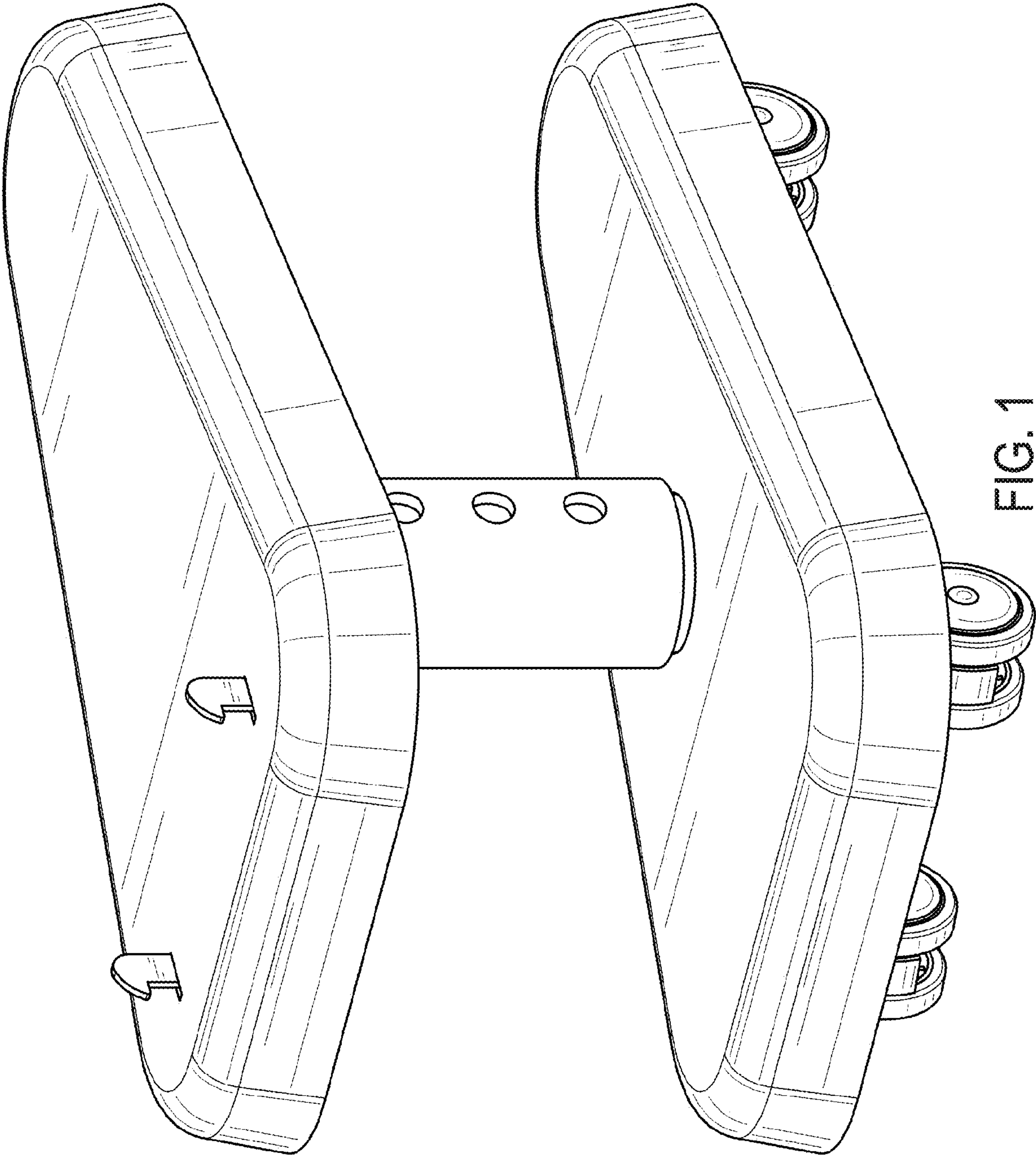


FIG. 1

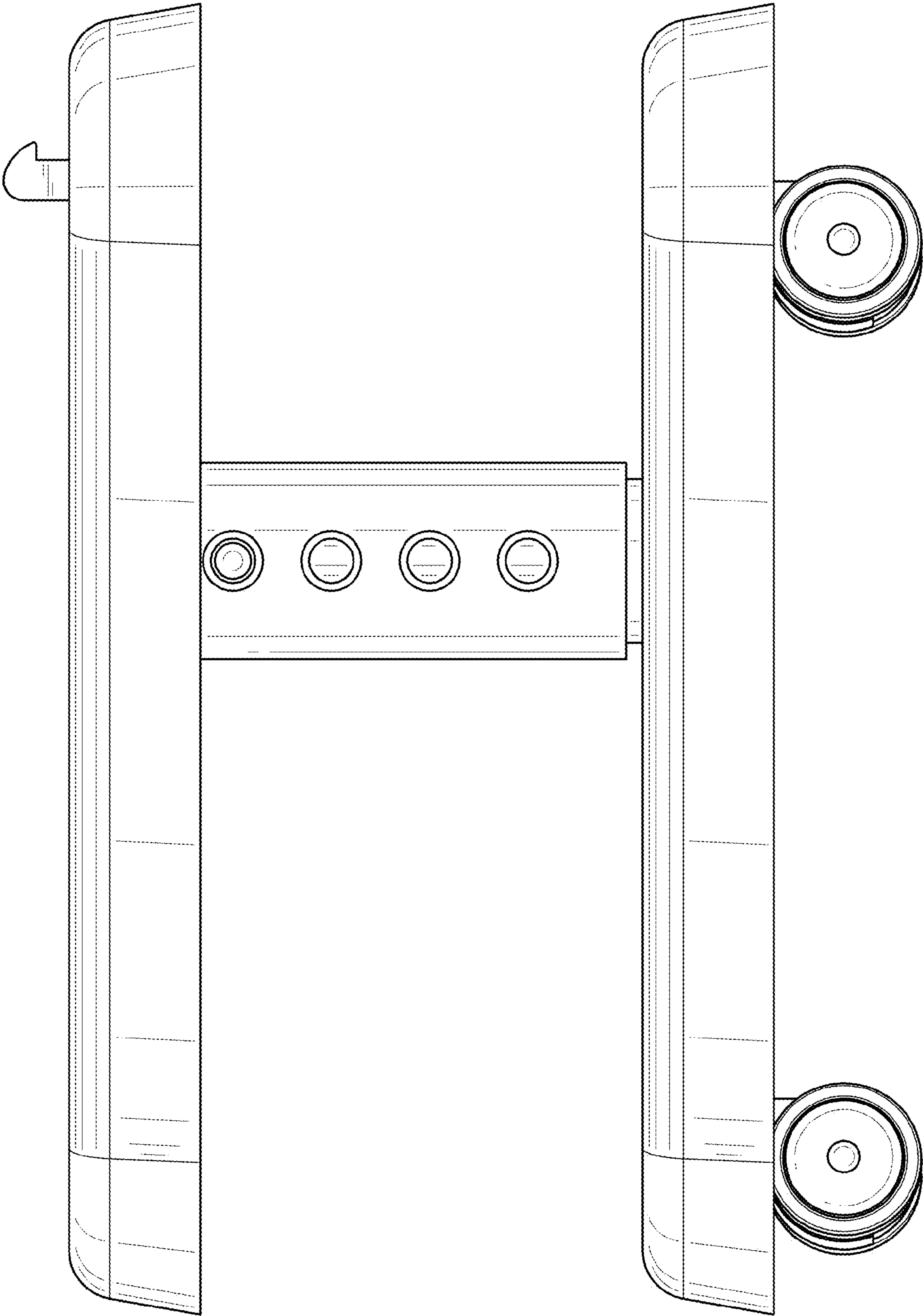


FIG. 2



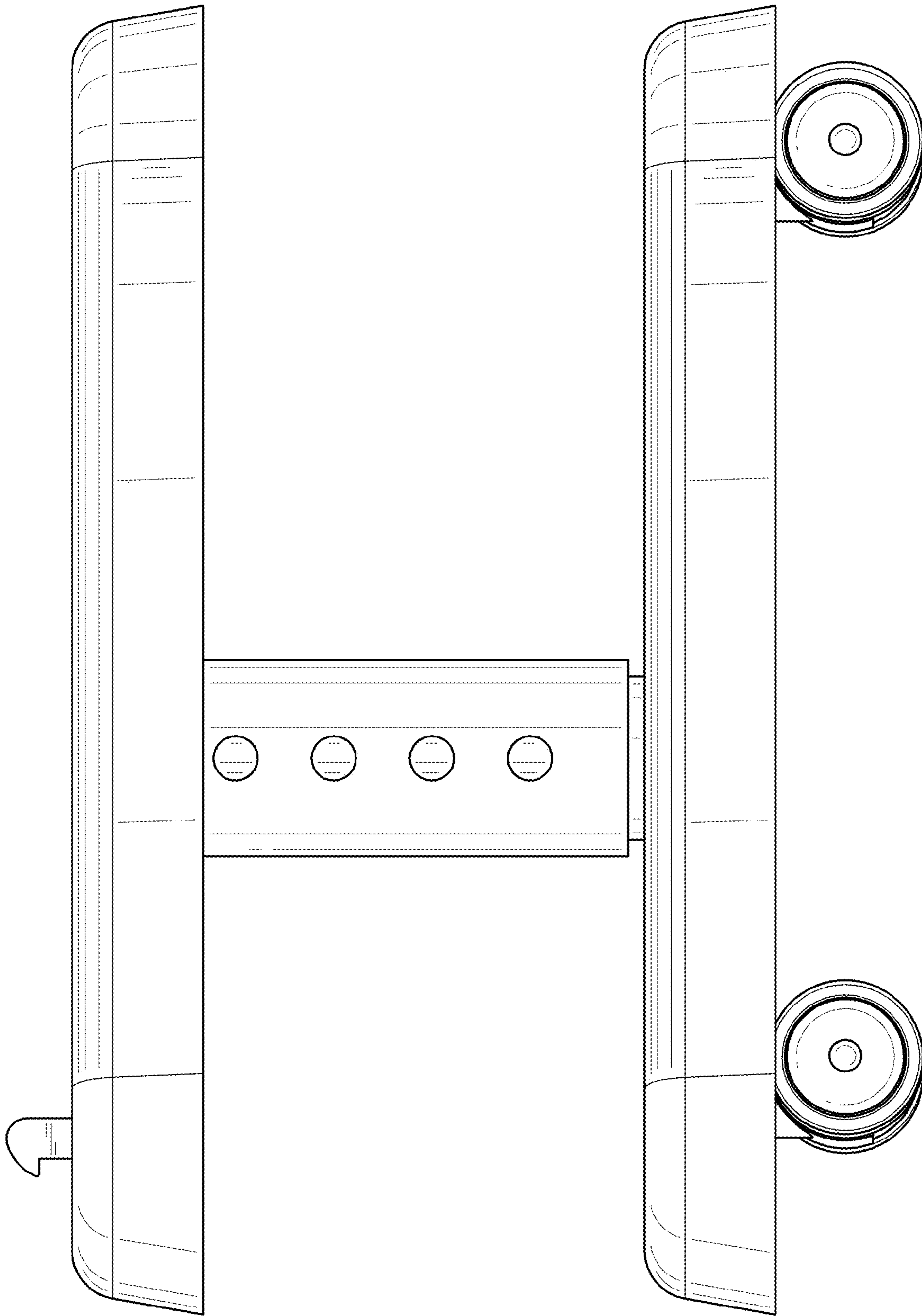


FIG. 3

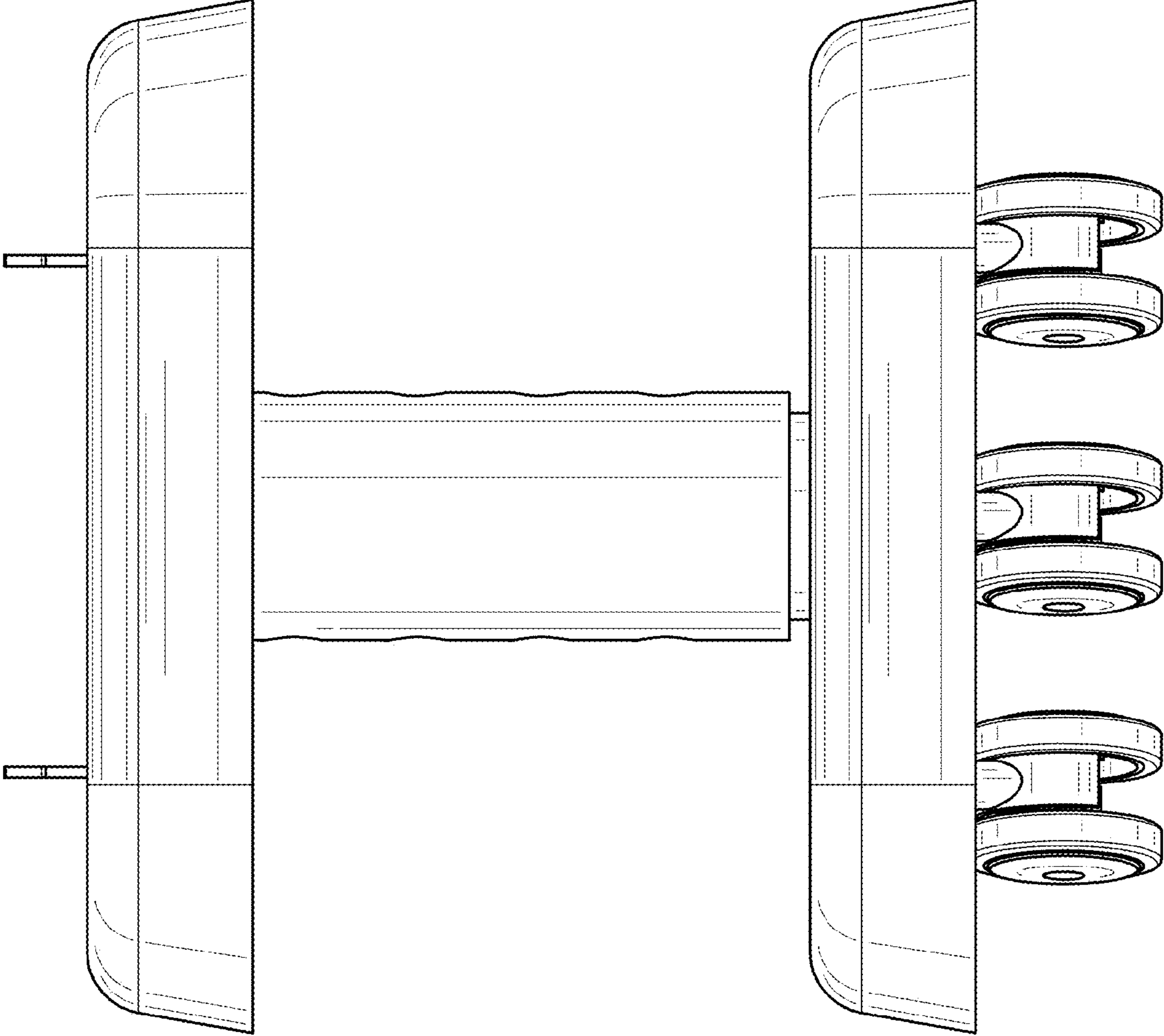


FIG. 4

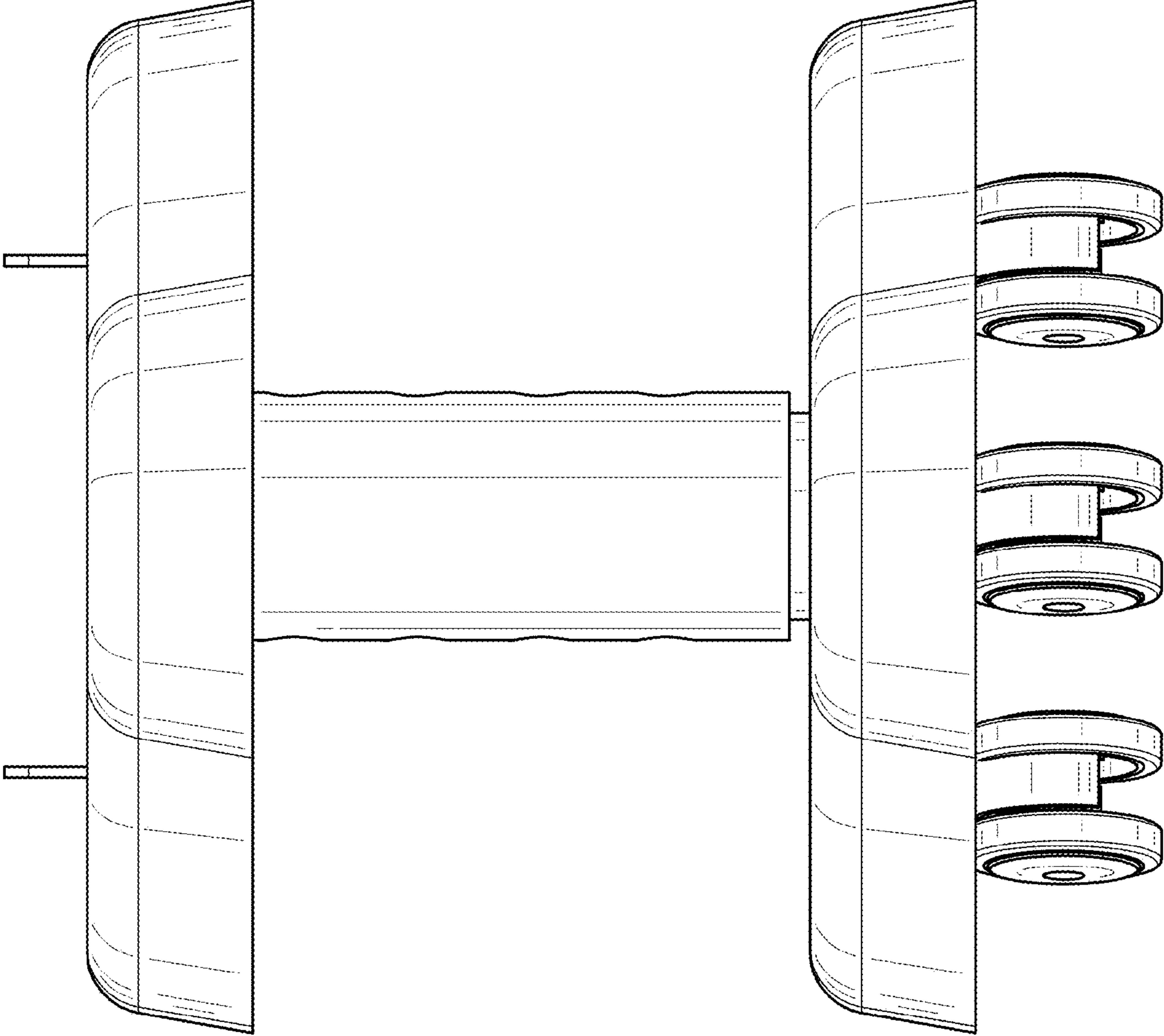


FIG. 5

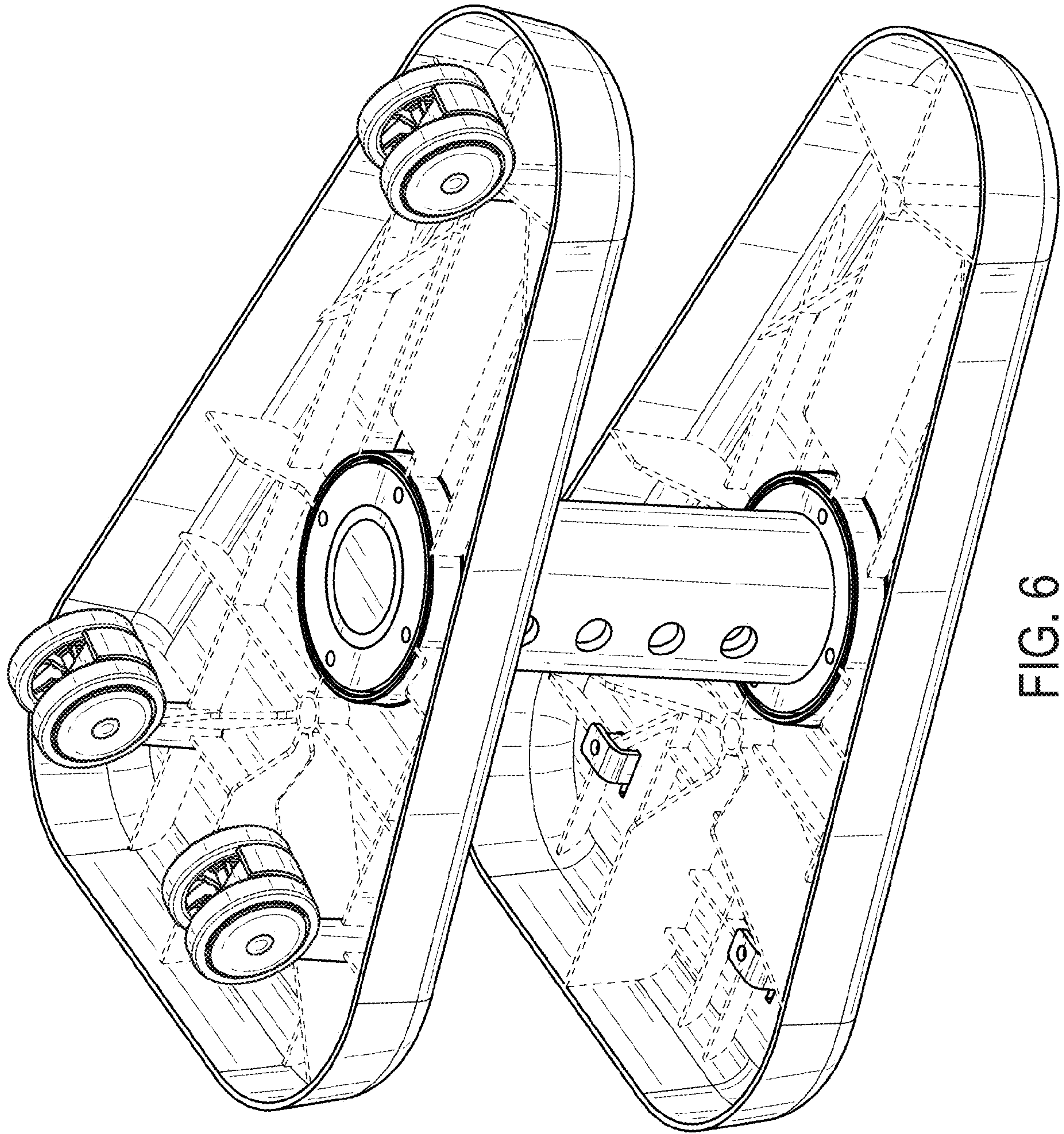


FIG. 6



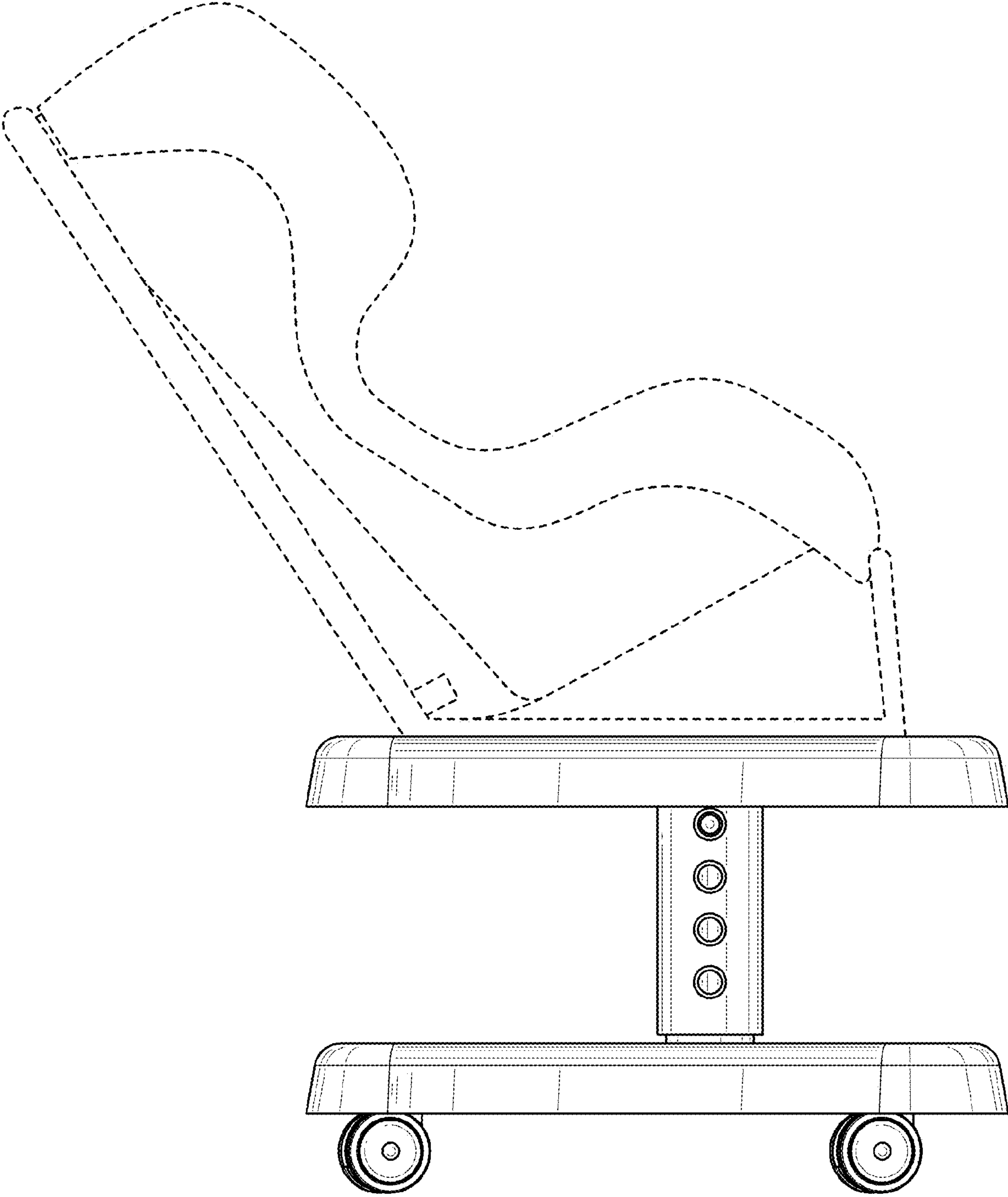


FIG. 7