



US00D910497S

(12) **United States Design Patent** (10) **Patent No.:** **US D910,497 S**
Sun (45) **Date of Patent:** **** Feb. 16, 2021**

(54) **BICYCLE**
(71) Applicant: **Beijing Qisheng Science and Technology Co., Ltd., Beijing (CN)**
(72) Inventor: **Zhen Sun, Beijing (CN)**
(73) Assignee: **Beijing Qisheng Science and Technology Co., Ltd., Beijing (CN)**
(**) Term: **15 Years**
(21) Appl. No.: **29/696,792**
(22) Filed: **Jul. 1, 2019**

(30) **Foreign Application Priority Data**
Dec. 29, 2018 (CN) 2018 3 0775659
(51) **LOC (13) Cl.** **12-11**
(52) **U.S. Cl.**
USPC **D12/111**
(58) **Field of Classification Search**
USPC D12/111, 117; D21/412, 414, 419,
D21/423-428, 431-435
CPC B62K 3/00; B62K 3/02; B62K 3/06
See application file for complete search history.

(56) **References Cited**
U.S. PATENT DOCUMENTS
D321,155 S * 10/1991 Tan D12/111
5,273,303 A * 12/1993 Hornzee-Jones B62K 19/16
280/274
D393,432 S * 4/1998 Yelverton D12/111
D396,670 S * 8/1998 Wasserhess D12/111
D401,534 S * 11/1998 Higashihara D12/110
D414,721 S * 10/1999 Nakamura D12/110
D465,438 S * 11/2002 Masui D12/111
D578,440 S * 10/2008 Giugiaro D12/111
D625,228 S * 10/2010 Lockart D12/111
D690,239 S * 9/2013 Uimonen D12/111
D693,739 S * 11/2013 Uimonen D12/111

D721,014 S * 1/2015 Kahler, Jr. D12/111
D727,214 S * 4/2015 Yang D12/111
D730,779 S * 6/2015 Arbour D12/111
D745,836 S * 12/2015 Poster D12/111
9,394,026 B2 * 7/2016 Silva B62K 3/06
(Continued)

OTHER PUBLICATIONS

Xu Lingchao; Ding Yining. "Another shared bike brand hits the streets, but only in some areas." Shine News., Aug. 3, 2018 [online], [retrieved on Oct. 8, 2020]. Retrieved from the Internet <URL: <https://www.shine.cn/news/metro/2010087414/>>.*

(Continued)

Primary Examiner — Darlington Ly
(74) *Attorney, Agent, or Firm* — James L. Young;
Westman, Champlin & Koehler, P.A.

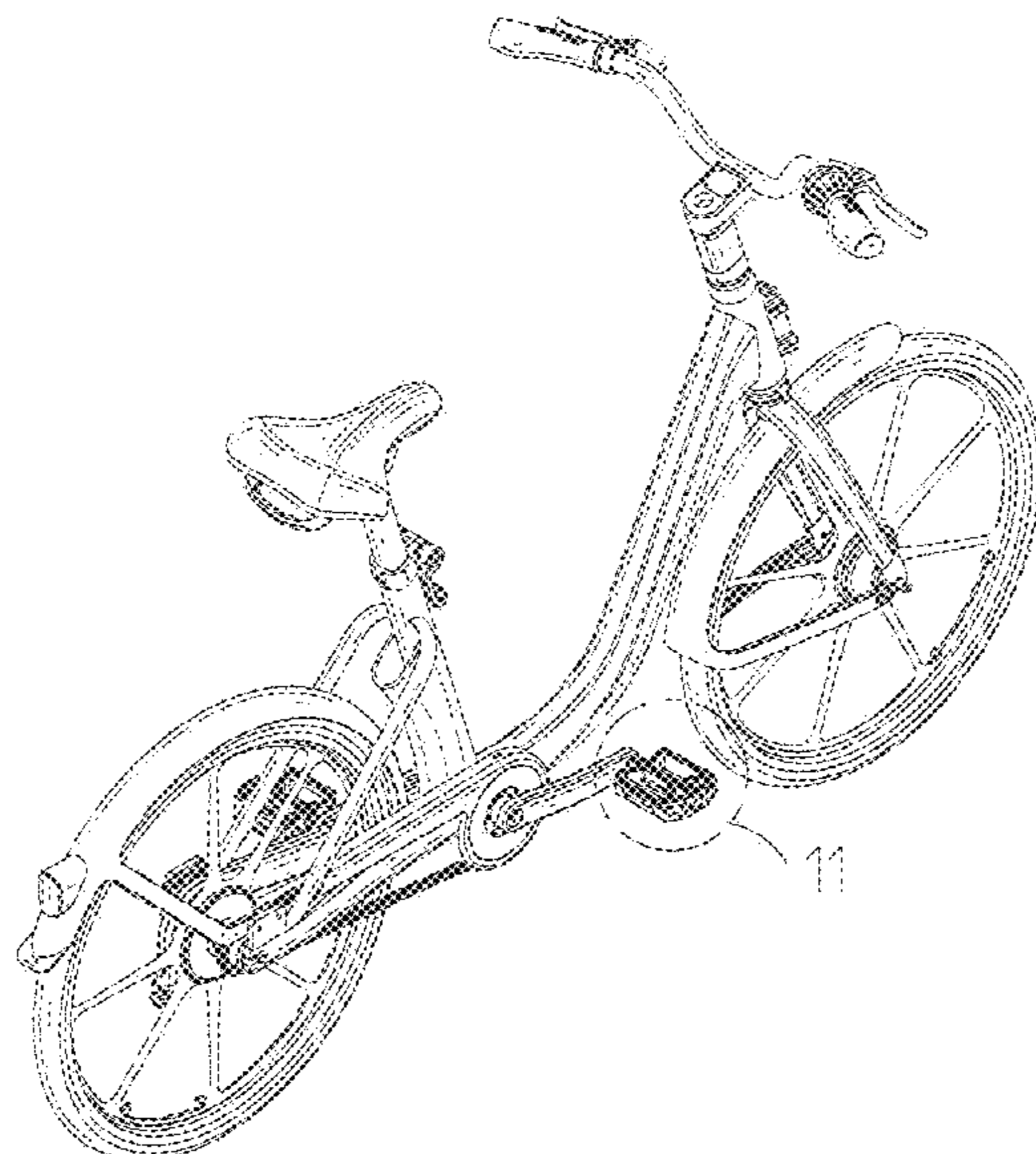
(57) **CLAIM**

The ornamental design for a bicycle, as shown and described.

DESCRIPTION

FIG. 1 is a top, rear, and right side perspective view of a bicycle embodying my design;
FIG. 2 is a top, front, and right side perspective view thereof;
FIG. 3 is a bottom, front, and left side perspective view thereof;
FIG. 4 is a bottom, rear, and left side perspective view thereof;
FIG. 5 is a right side elevation view thereof;
FIG. 6 is a left side elevation view thereof;
FIG. 7 is a rear elevation view thereof;
FIG. 8 is a front elevation view thereof;
FIG. 9 is a top plan view thereof;
FIG. 10 is a bottom plan view thereof; and,
FIG. 11 is an enlarged perspective view of the right pedal of the bicycle, taken at area 11 of FIG. 1.

1 Claim, 11 Drawing Sheets



(56)

References Cited

U.S. PATENT DOCUMENTS

9,403,572 B2 * 8/2016 Jankura B29C 70/345
9,487,262 B2 * 11/2016 Chao B62J 1/08
D776,014 S * 1/2017 Silva D12/111
9,604,690 B2 * 3/2017 Huber B62K 3/04
D800,024 S * 10/2017 Vital Huici D12/111
D803,728 S * 11/2017 Kamler D12/111
D816,554 S * 5/2018 Wang D12/111
9,988,122 B2 * 6/2018 Pedretti B62K 25/30
D846,449 S * 4/2019 Song D12/111

OTHER PUBLICATIONS

Quyang Shijia. "Ofo announces European expansion." China Daily., Sep. 22, 2019 [online], [retrieved on Oct. 8, 2020]. Retrieved from the Internet <URL: https://www.chinadaily.com.cn/business/2019-09/22/content_32343211.htm>.*

Joey Knotts. "Easy Rider: Beijing's Next Generation of Sharebikes Rolls UpOfo announces European expansion." The Beijinger., Aug. 29, 2019 [online], [retrieved on Oct. 8, 2020]. Retrieved from the Internet <URL: <https://www.thebeijinger.com/blog/2019/08/29/next-generation-of-beijing-sharebikes-rolls-up>>.*

"QingJu PRO / Bike share." IF World Design Guide., Feb. 12, 2020 [online], [retrieved on Oct. 8, 2020]. Retrieved from the Internet <URL: <https://ifworlddesignguide.com/entry/257796-qingju-pro>>.*

* cited by examiner

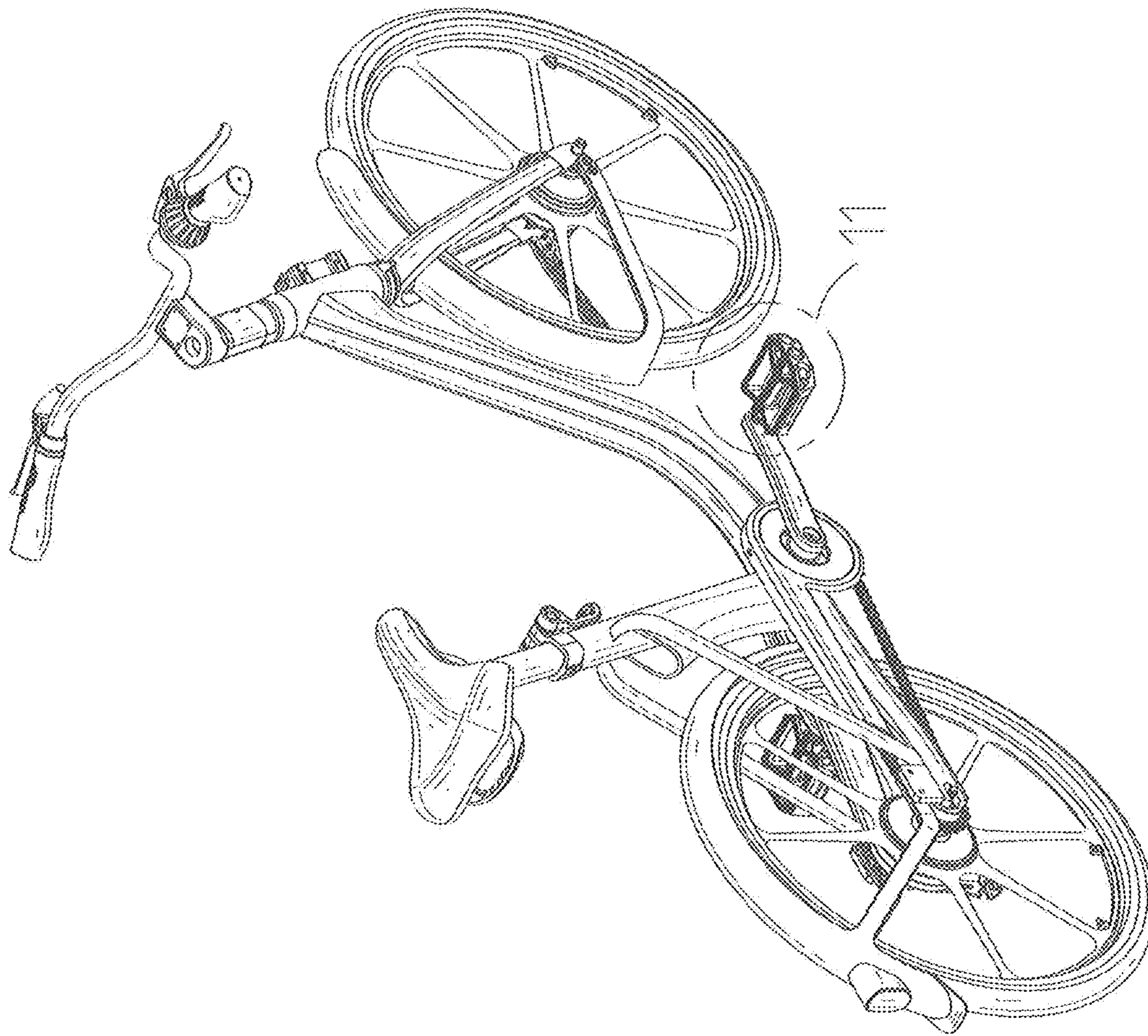


FIG. 1

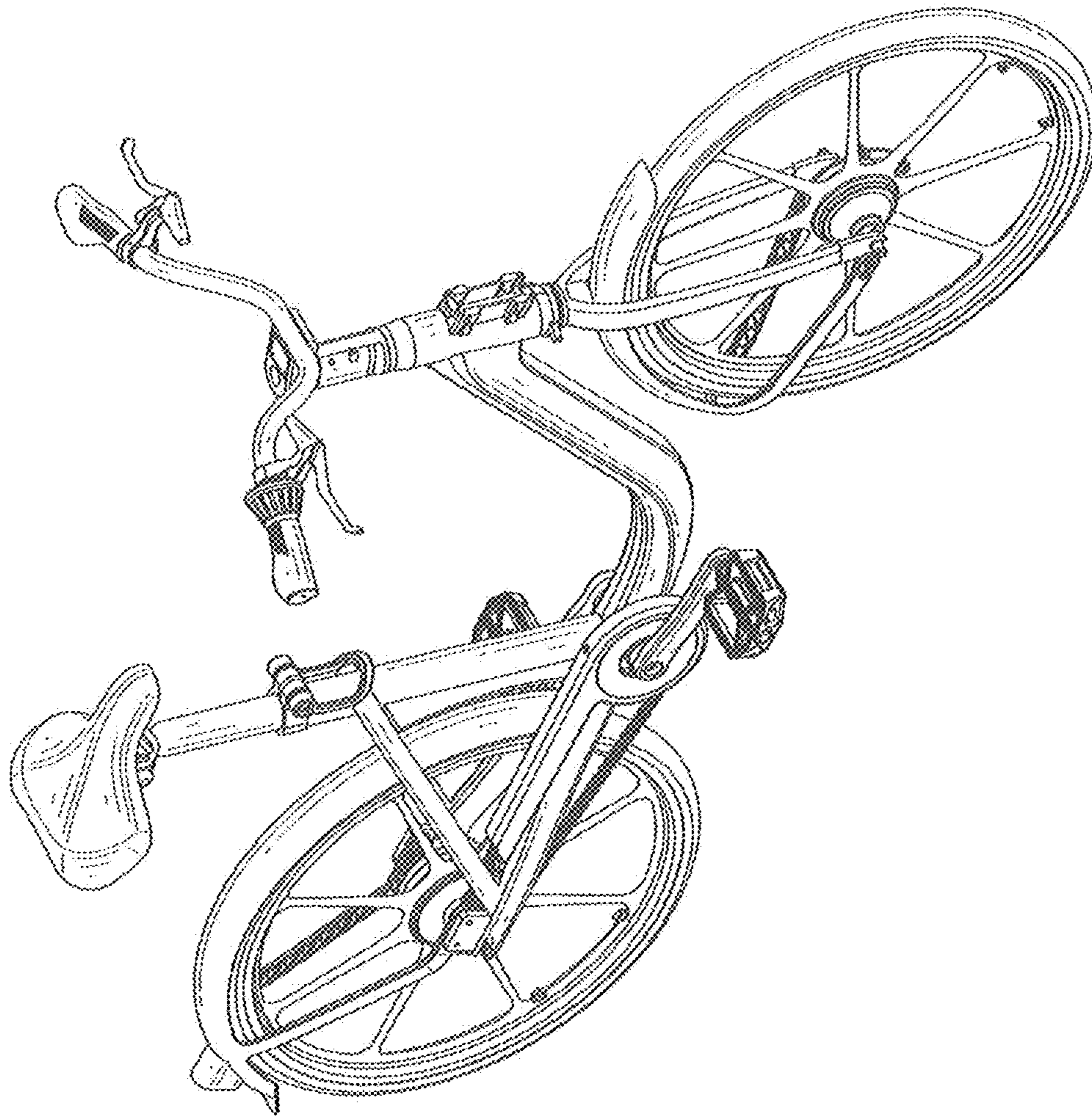


FIG. 2

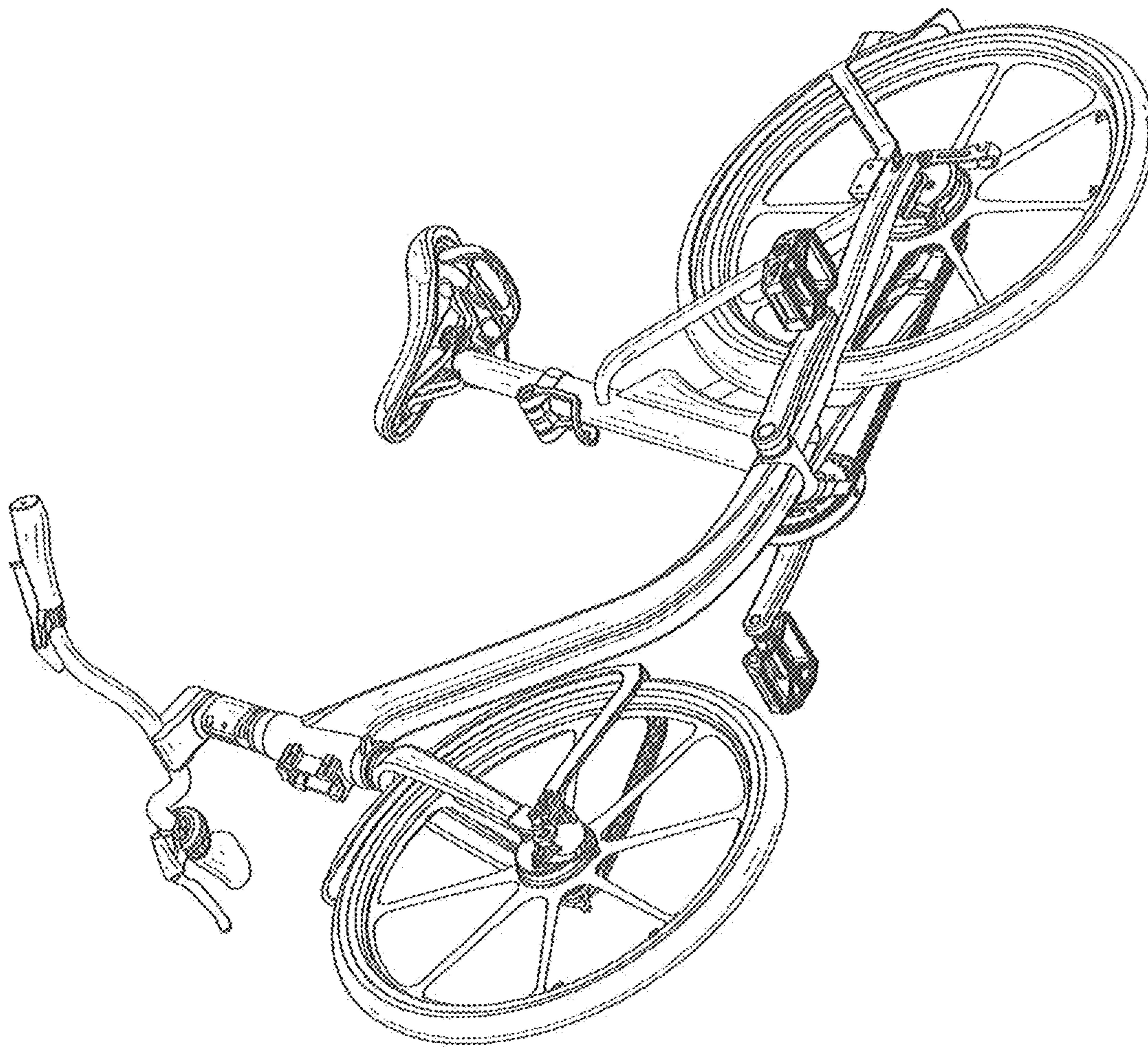


FIG. 3

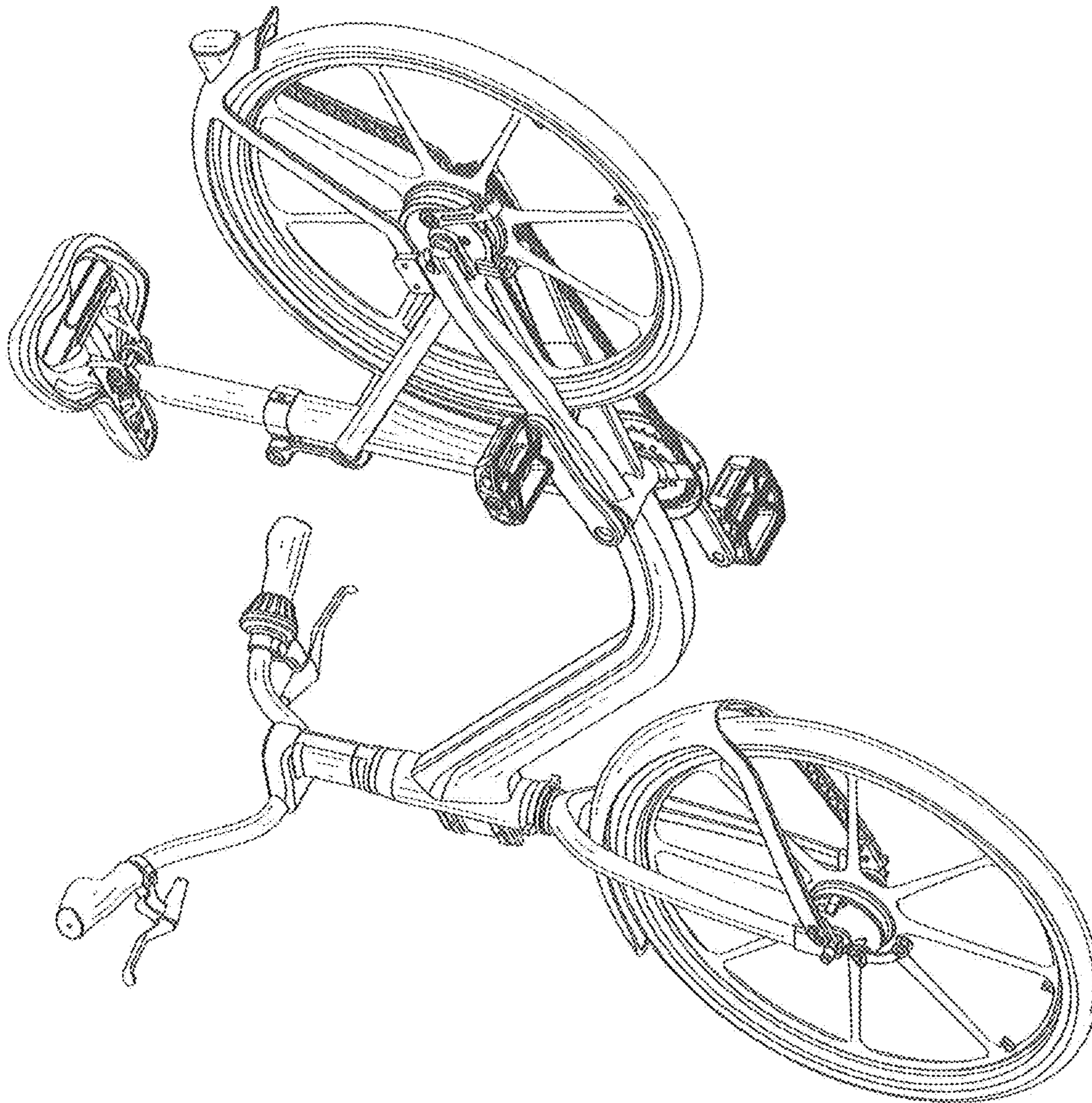


FIG. 4

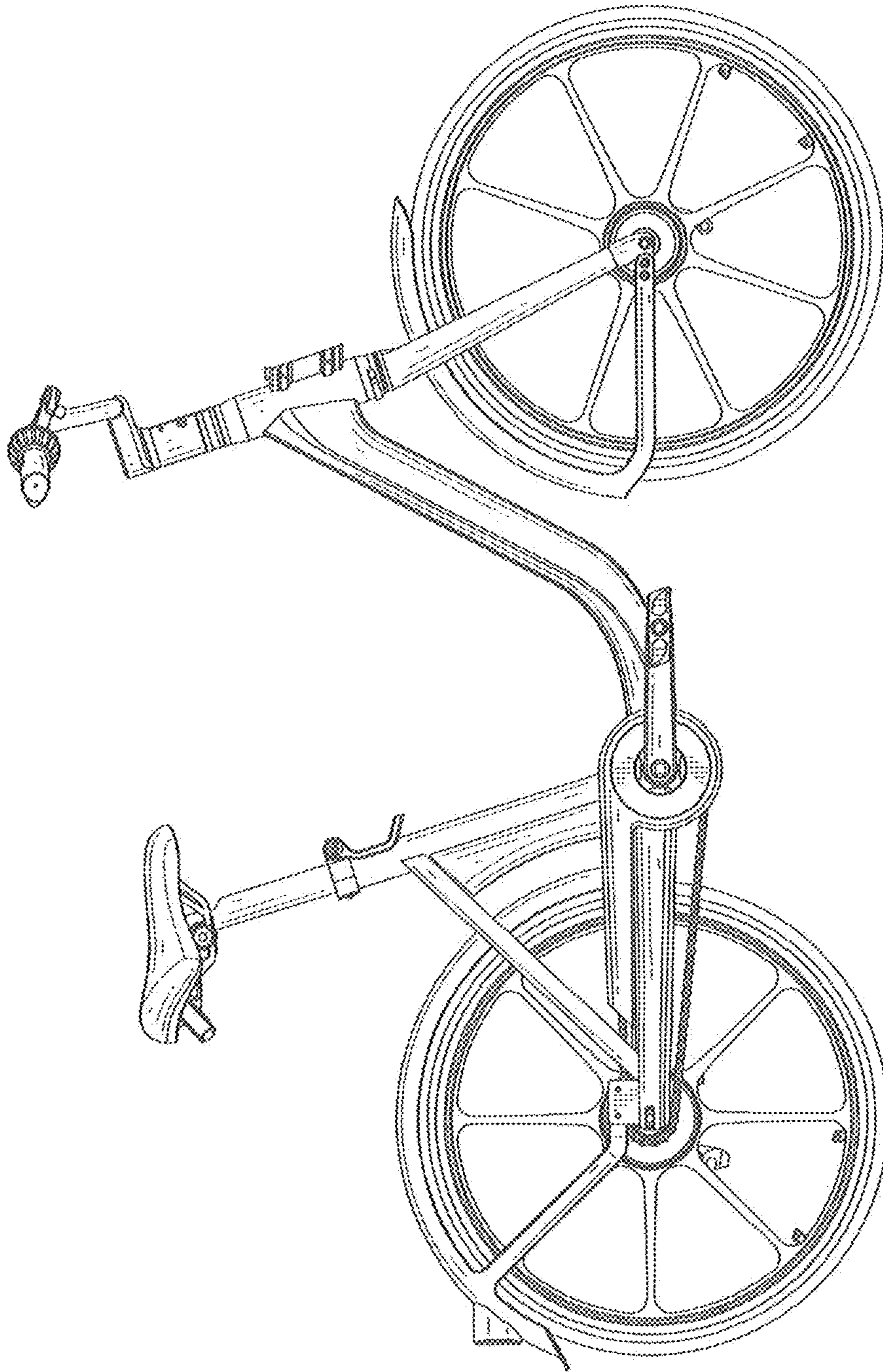


FIG. 5

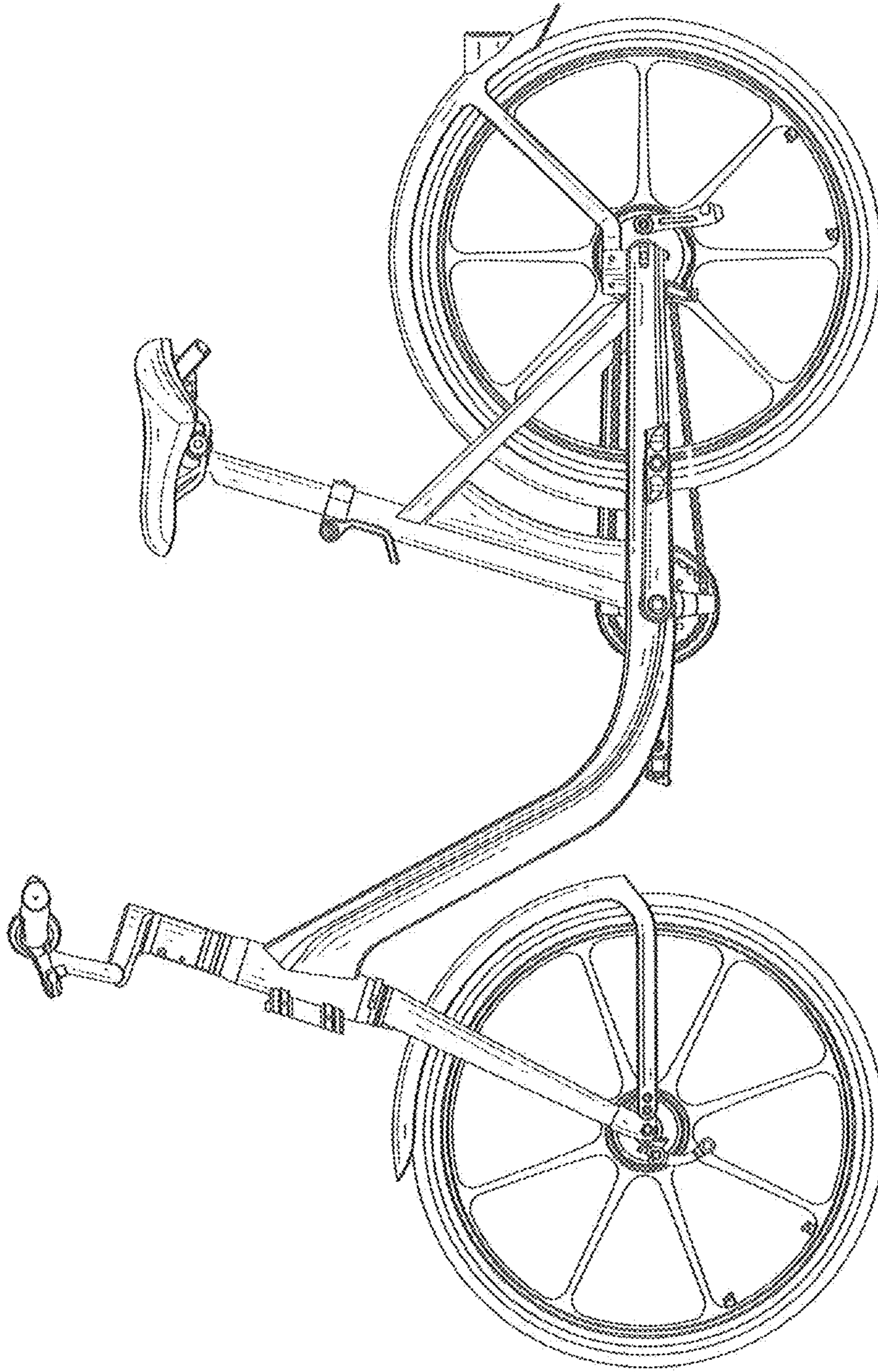


FIG. 6

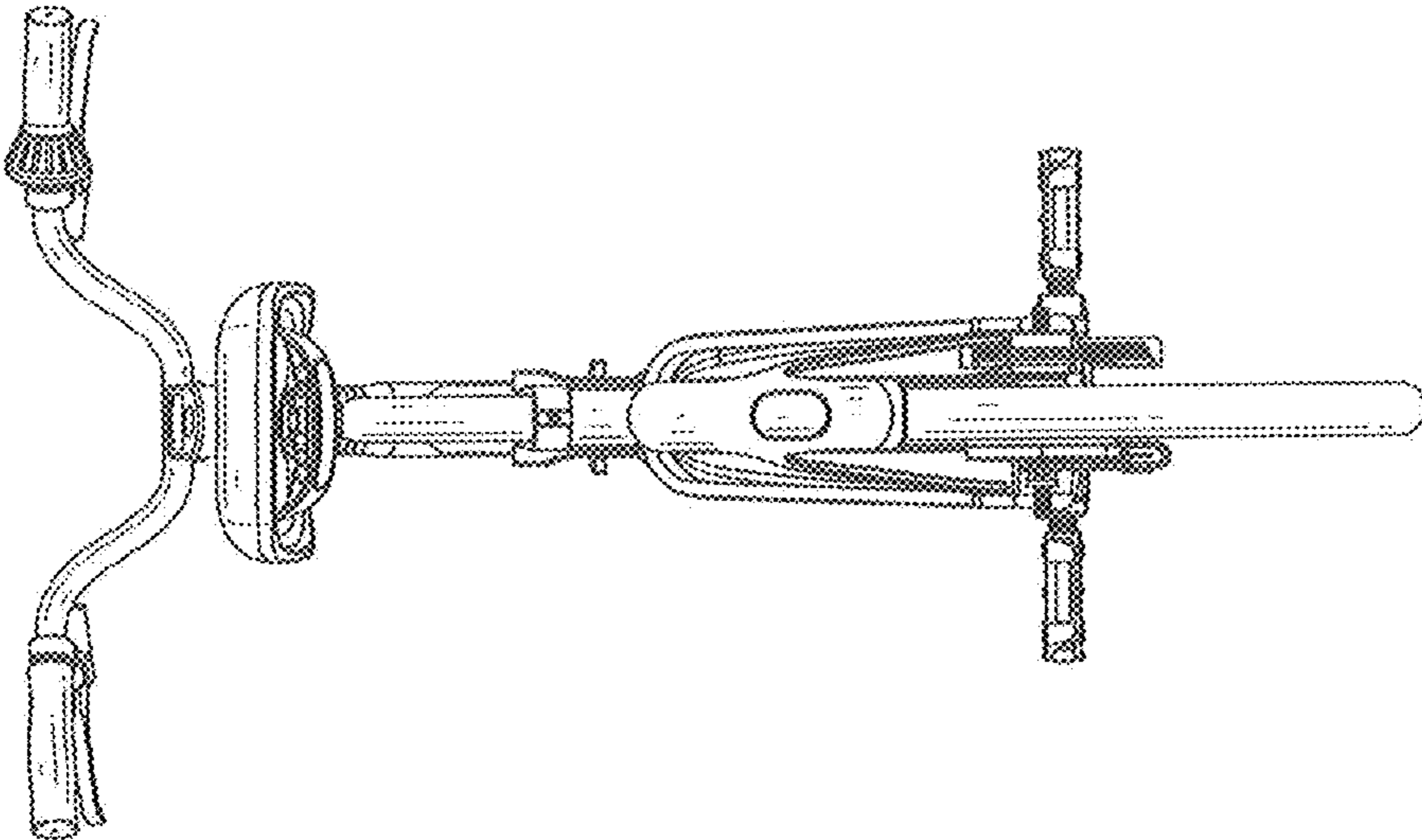


FIG. 7

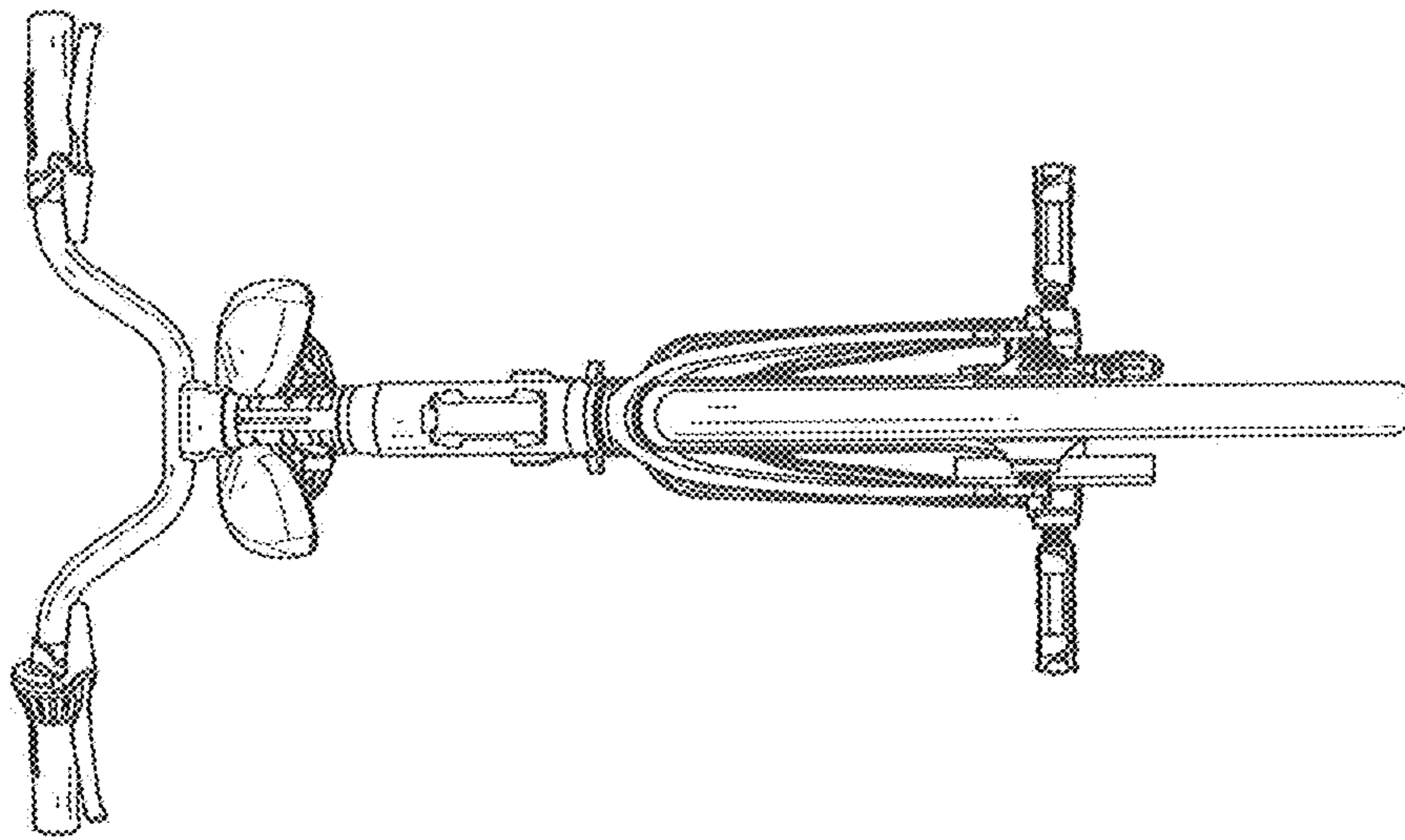


FIG. 8

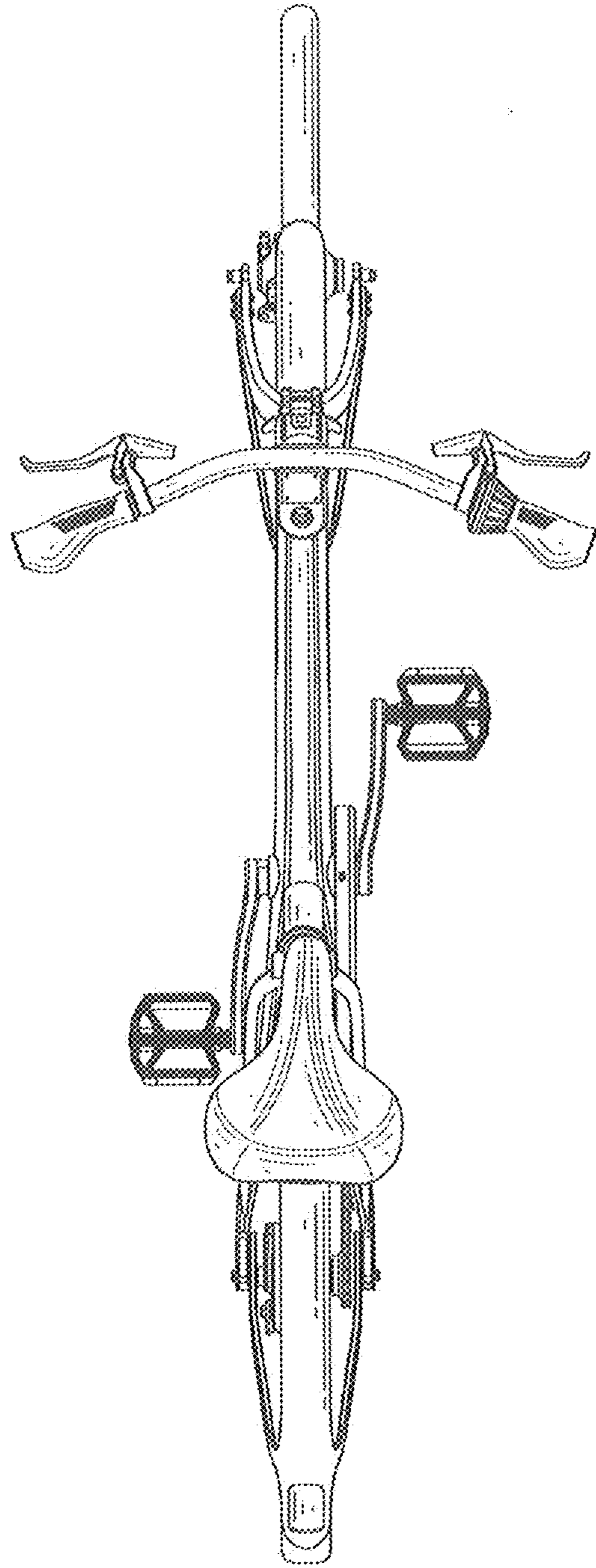


FIG. 9

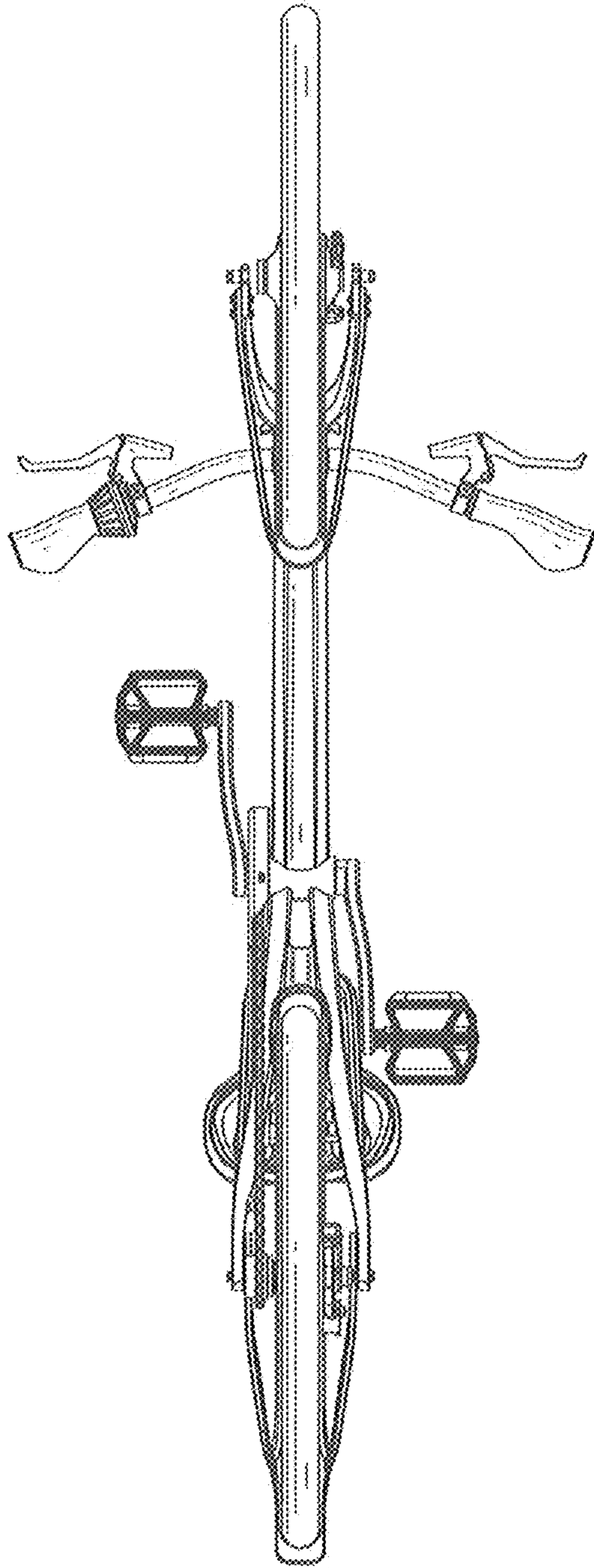


FIG. 10

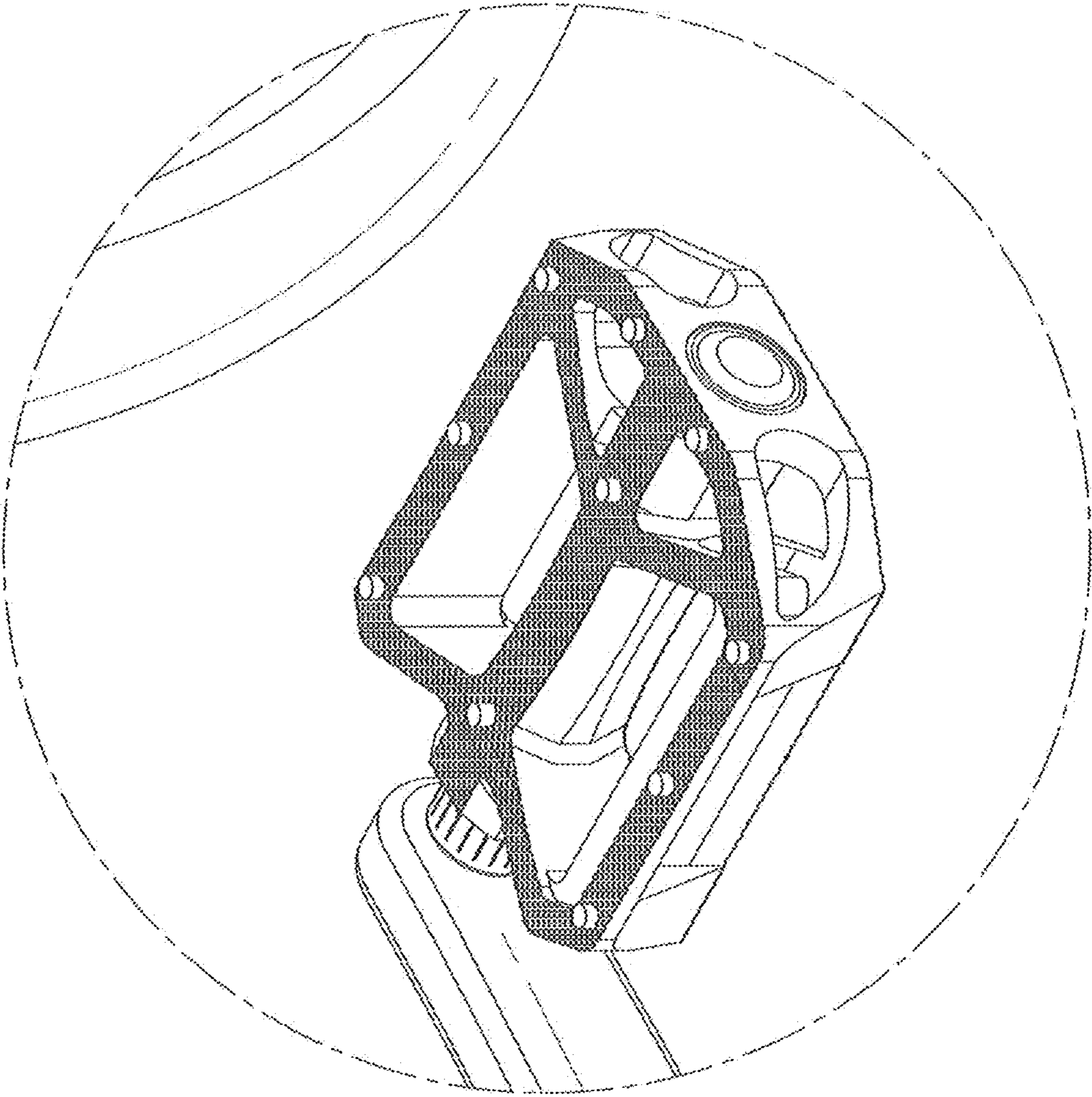


FIG. 11