



US00D910496S

(12) **United States Design Patent** (10) **Patent No.:** **US D910,496 S**  
**Zhu** (45) **Date of Patent:** **\*\* Feb. 16, 2021**

(54) **ELECTRIC BICYCLE**  
(71) Applicant: **Zhanyu Zhu**, Changzhou (CN)  
(72) Inventor: **Zhanyu Zhu**, Changzhou (CN)  
(\*\*) Term: **15 Years**  
(21) Appl. No.: **29/684,774**  
(22) Filed: **Mar. 23, 2019**  
(51) **LOC (13) Cl.** ..... **12-11**  
(52) **U.S. Cl.**  
USPC ..... **D12/111**  
(58) **Field of Classification Search**  
USPC ..... D12/111, 107, 114, 117, 118, 119, 110;  
D21/419, 424  
CPC . B62K 3/00; B62K 3/005; B62K 3/02; B62K  
3/04; B62K 11/00; B62K 11/02; B62K  
11/10; B62K 11/14; B62K 21/12; B62K  
21/16; B62K 21/26; B62K 21/02; B62K  
21/04; B62K 21/06; B62K 15/006; B62K  
19/02; B62K 19/04; B62K 19/42; B62K  
19/08; B62K 25/04; B62K 25/08; B62K  
25/16; B62K 25/30  
See application file for complete search history.

D369,574 S \* 5/1996 Clarke ..... D12/111  
D414,141 S \* 9/1999 Tsai ..... D12/118  
D494,108 S \* 8/2004 Liao ..... D12/118  
D512,345 S \* 12/2005 Beich ..... D12/110  
D517,451 S \* 3/2006 Alsop ..... D12/110  
D633,828 S \* 3/2011 Portnoff ..... D12/111  
2008/0073139 A1\* 3/2008 Conrad ..... B62K 25/283  
180/227

**OTHER PUBLICATIONS**

Youtube, eRanger Electric Bike Retro Urban Cruiser, posted Nov. 8, 2017, [online], [visited Sep. 14, 2020]. Internet, <URL: https://www.youtube.com/watch?v=GgOXOc\_GVAQ> (Year: 2017).\*  
Youtube, The Super 73 Scout Retro style e-bike, posted Nov. 8, 2017, [online], [visited Sep. 14, 2020]. Internet, <URL: https://www.youtube.com/watch?v=IwWjhmnlSF0> (Year: 2017).\*

\* cited by examiner

*Primary Examiner* — Sheryl Lane  
*Assistant Examiner* — Samantha N Wood  
(74) *Attorney, Agent, or Firm* — Feng Qian

(57) **CLAIM**

The ornamental design for an electric bicycle, as shown and described.

(56) **References Cited**

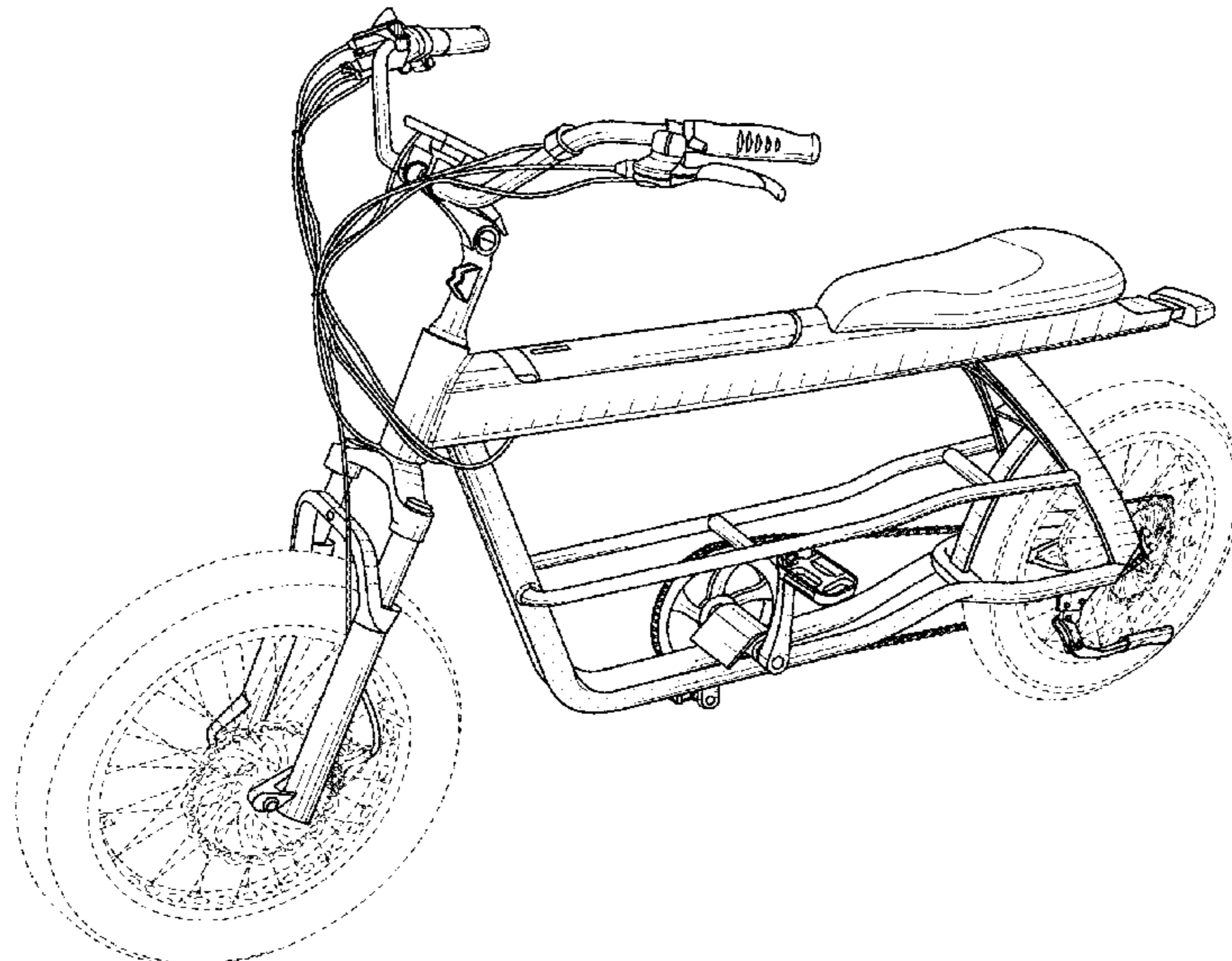
**U.S. PATENT DOCUMENTS**

D30,820 S \* 5/1899 Schaum ..... D12/111  
979,674 A \* 12/1910 Kittle ..... B62K 25/16  
280/277  
2,516,431 A \* 7/1950 Sokolik ..... B62H 3/00  
280/272  
D213,753 S \* 4/1969 Schreckengost ..... D12/111  
D216,415 S \* 12/1969 Proffer ..... D12/110  
D217,843 S \* 6/1970 Barris ..... D12/111  
D223,528 S \* 4/1972 Steller ..... D12/111  
D230,144 S \* 1/1974 Voytko ..... D12/111  
4,422,663 A \* 12/1983 Hon ..... B62K 15/006  
280/278  
D281,615 S \* 12/1985 Barbato ..... D12/110

**DESCRIPTION**

FIG. 1 is a front perspective view of an electric bicycle showing my new design;  
FIG. 2 is a left-side elevation view thereof;  
FIG. 3 is a right-side elevation view thereof;  
FIG. 4 is a front elevation view thereof;  
FIG. 5 is a rear elevation view thereof; and,  
FIG. 6 is a top plan view thereof.  
The broken lines in the drawings illustrate portions of the electric bicycle that form no part of the claimed design.

**1 Claim, 5 Drawing Sheets**



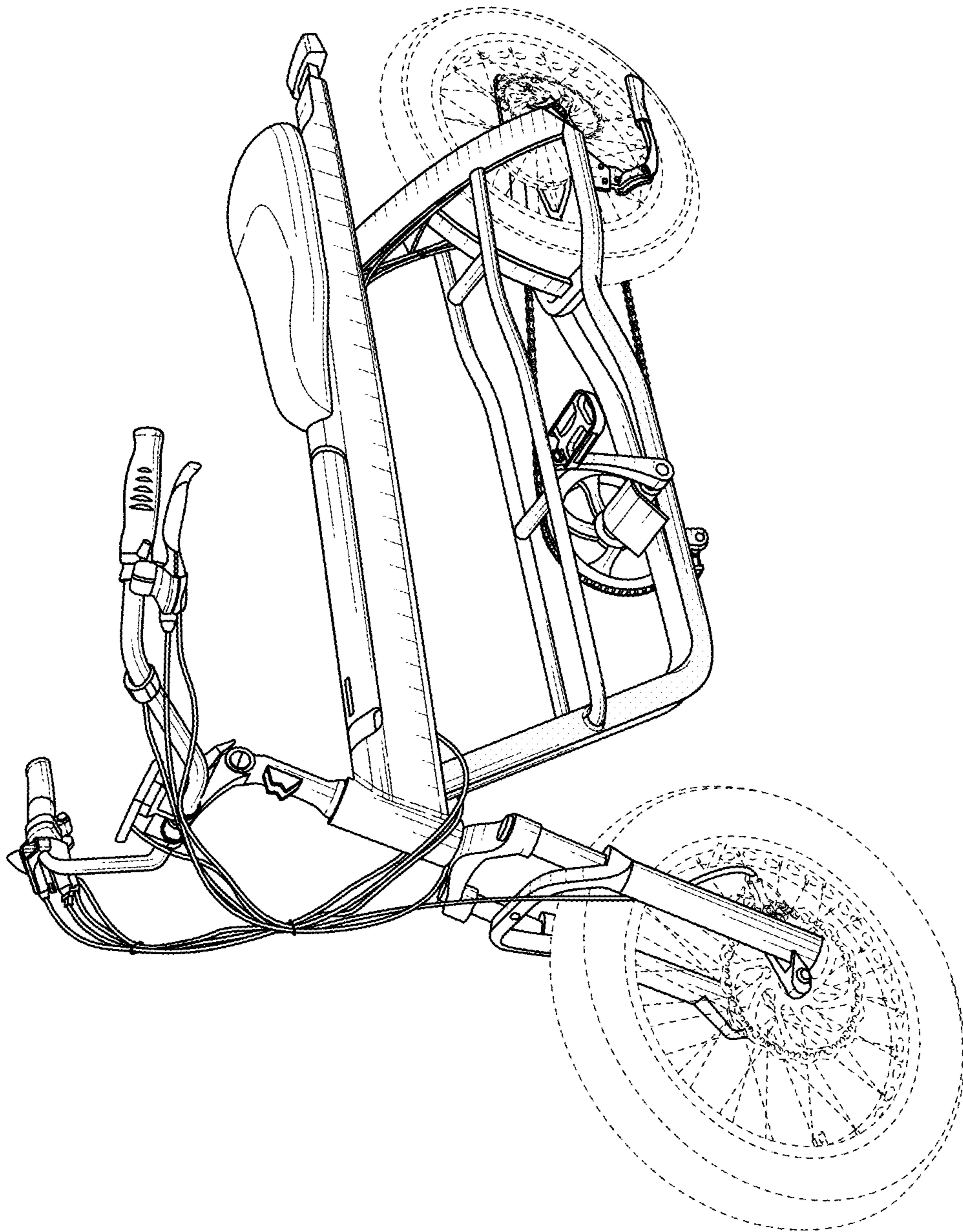


FIG. 1

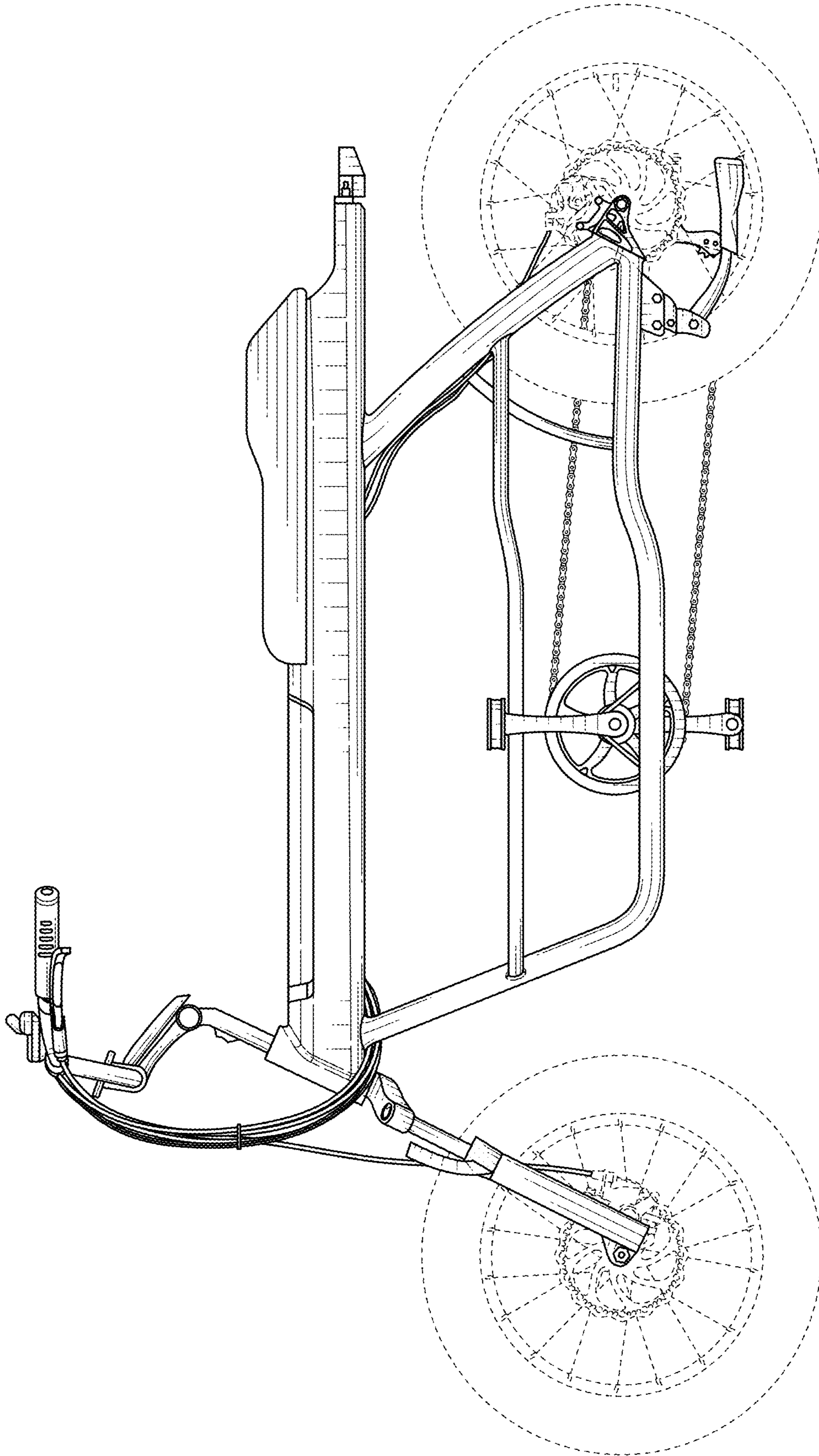


FIG. 2

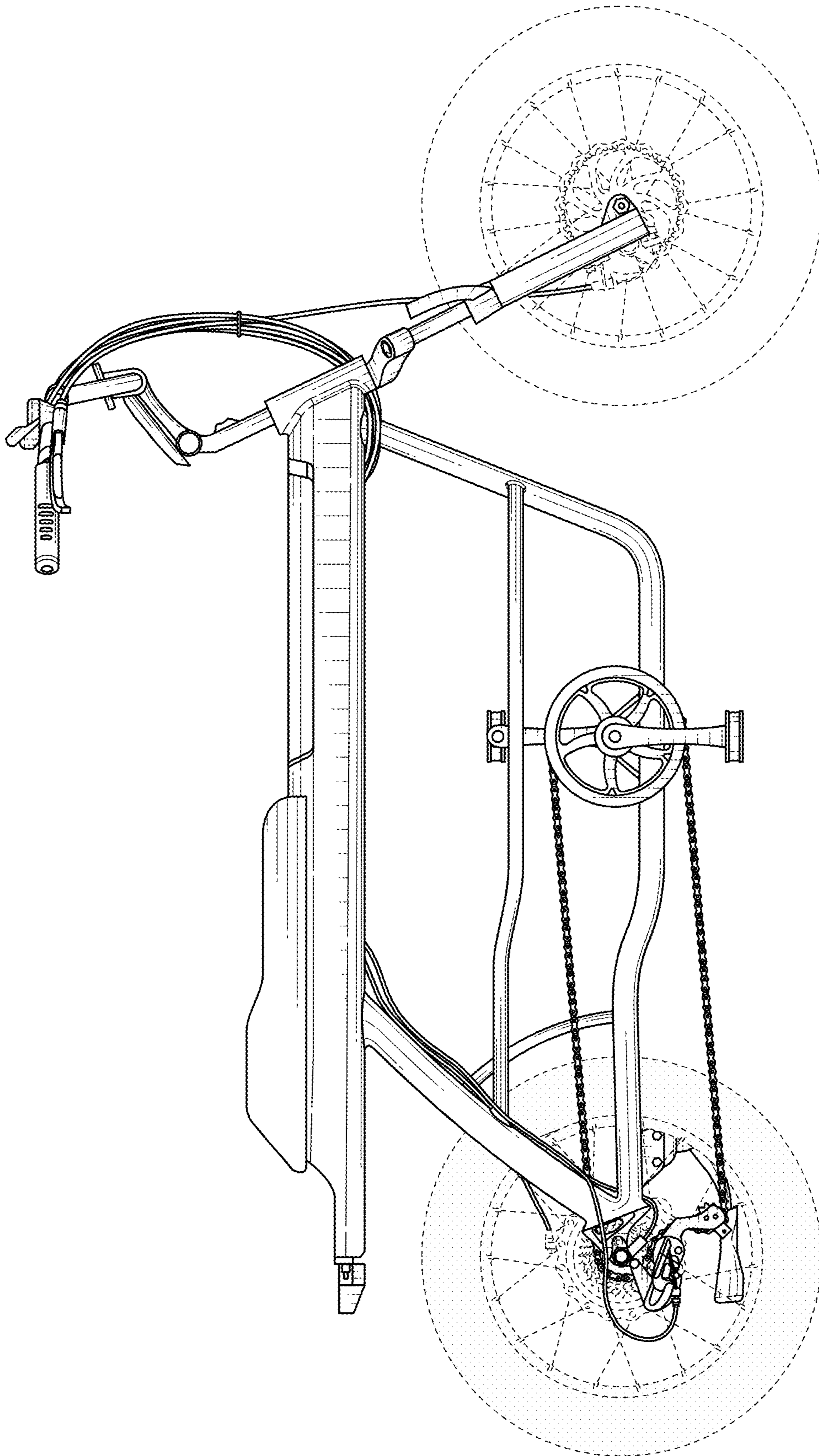


FIG. 3

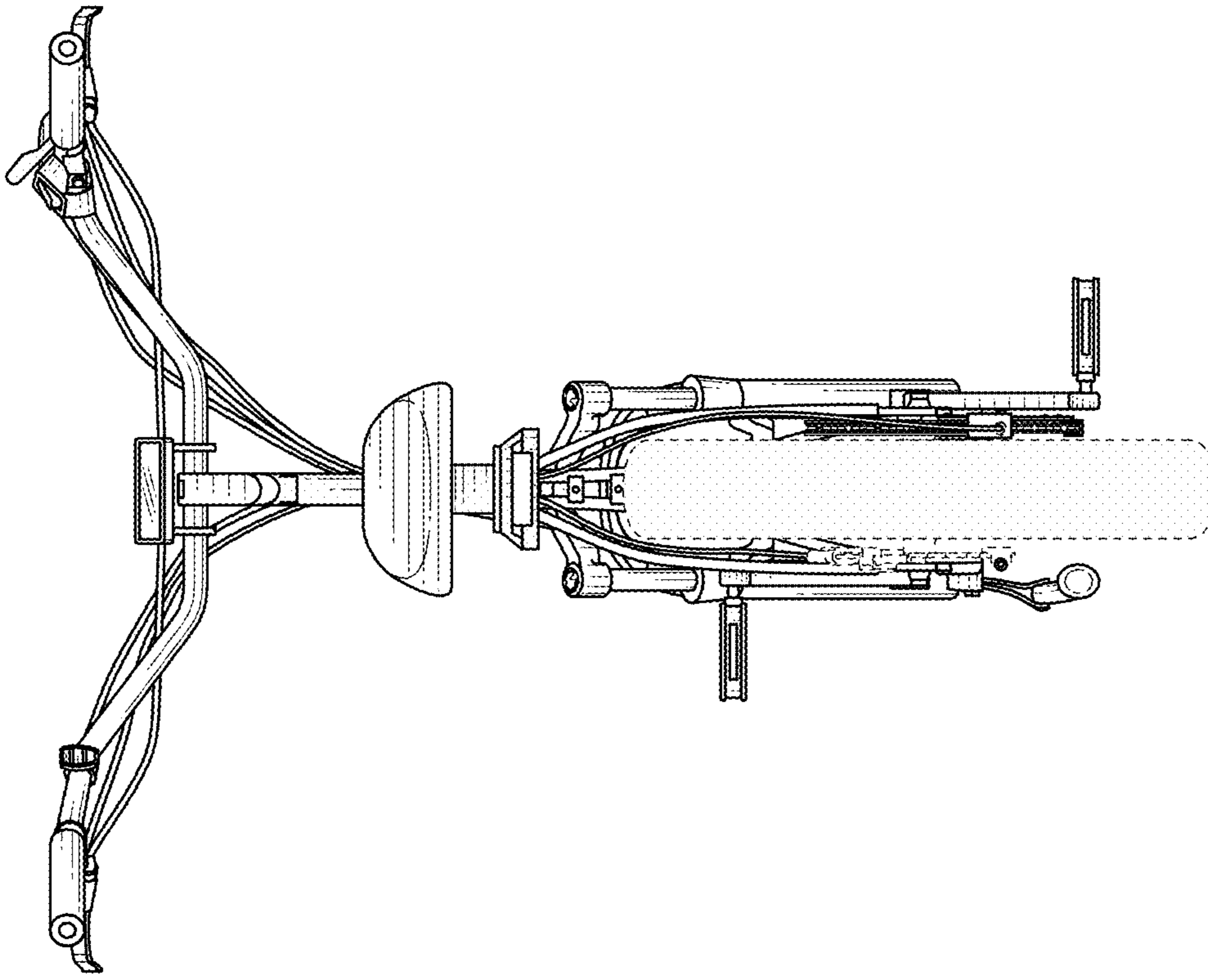


FIG. 5

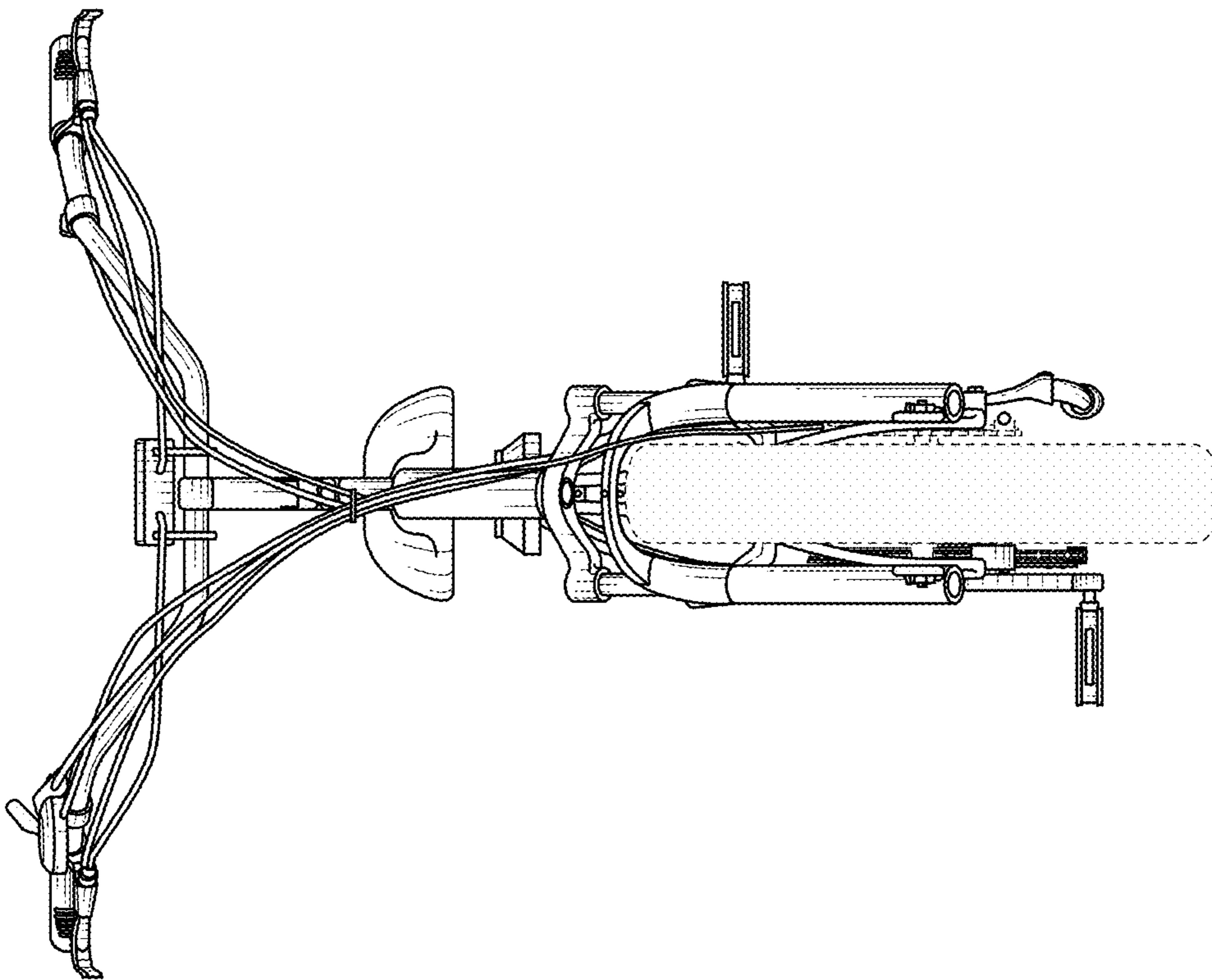


FIG. 4

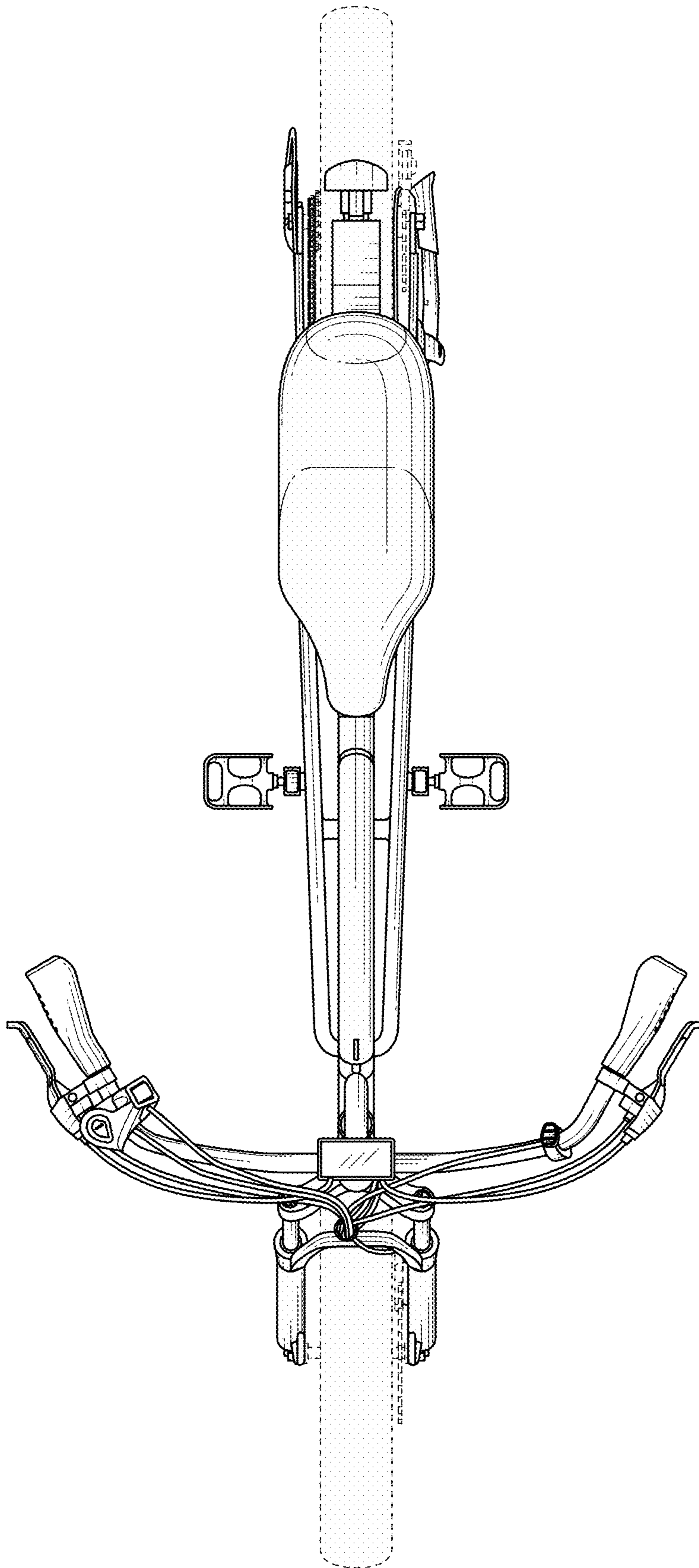


FIG. 6