



US00D910494S

(12) **United States Design Patent**
Kobayashi

(10) **Patent No.:** **US D910,494 S**

(45) **Date of Patent:** **** Feb. 16, 2021**

(54) **MOTORCYCLE**

(71) Applicant: **Kawasaki Jukogyo Kabushiki Kaisha,**
Kobe (JP)

(72) Inventor: **Minoru Kobayashi,** Akashi (JP)

(73) Assignee: **KAWASAKI JUKOGYO**
KABUSHIKI KAISHA

(**) Term: **15 Years**

(21) Appl. No.: **29/699,570**

(22) Filed: **Jul. 26, 2019**

(30) **Foreign Application Priority Data**

Apr. 9, 2019 (JP) 2019-007678

(51) **LOC (13) Cl.** **12-11**

(52) **U.S. Cl.**
USPC **D12/110**

(58) **Field of Classification Search**
USPC D12/110, 111, 117; D21/432, 538
CPC B62K 11/00; B62K 11/02; B62K 11/04;
B62K 11/10; B62K 17/00; B62K 19/00;
B62K 2202/00
See application file for complete search history.

(56) **References Cited**

U.S. PATENT DOCUMENTS

4,691,800 A * 9/1987 Kadono B62K 11/04
180/219
D384,600 S * 10/1997 Miwa D12/110
D385,226 S * 10/1997 Mogi D12/110
D419,922 S * 2/2000 Yamase D12/110
D431,501 S * 10/2000 Yamamoto D12/110
D456,315 S * 4/2002 Sawabe D12/110
D472,852 S * 4/2003 Chen D12/110
D482,639 S * 11/2003 Yamamoto D12/110
D497,329 S * 10/2004 Yamamoto D12/110

D497,330 S * 10/2004 Fukuyama D12/110
D513,481 S * 1/2006 Lin D12/110
D517,956 S * 3/2006 Kishi D12/110
D523,783 S * 6/2006 Sugimoto D12/110
D524,191 S * 7/2006 Sugimoto D12/110
D526,249 S * 8/2006 Tanaka D12/110
D535,587 S * 1/2007 Yin D12/110
D549,136 S * 8/2007 Yu D12/110
D559,155 S * 1/2008 Sakata D12/110
D565,473 S * 4/2008 Hohdorf D12/110
D566,626 S * 4/2008 Sakata D12/110
D569,310 S * 5/2008 Ainsworth D12/110
D590,302 S * 4/2009 Tanaka D12/110
D632,226 S * 2/2011 Miyata D12/110
D665,706 S * 8/2012 Oyanagi D12/110

(Continued)

OTHER PUBLICATIONS

“2020 Model Information—Kawasaki KLX230.” Kawasaki., Apr. 25, 2019 [online], [retrieved on Nov. 5, 2020]. Retrieved from the Internet <URL: https://kawasaki.co.nz/wp-content/uploads/2019/06/20_KLX230_Model-Information.pdf>.*

(Continued)

Primary Examiner — Darlington Ly

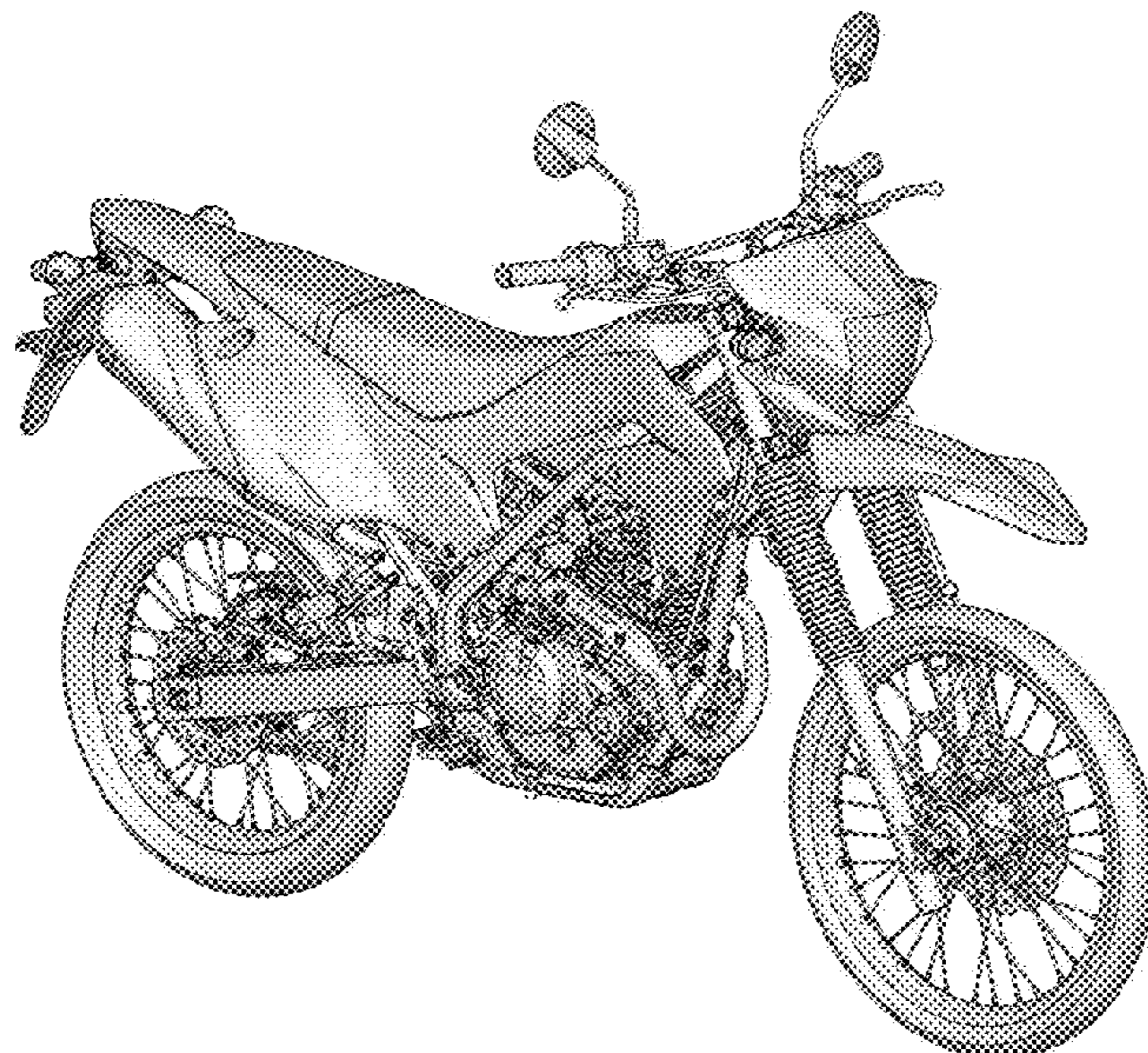
(57) **CLAIM**

The ornamental design for a motorcycle, as shown and described.

DESCRIPTION

FIG. 1 is a front elevation view of a motorcycle showing my new design;
FIG. 2 is a rear elevation view thereof;
FIG. 3 is a right side elevation view thereof;
FIG. 4 is a left side elevation view thereof;
FIG. 5 is a top plan view thereof;
FIG. 6 is a front and right side perspective view thereof; and,
FIG. 7 is a rear and left side perspective view thereof.

1 Claim, 7 Drawing Sheets



(56)

References Cited

U.S. PATENT DOCUMENTS

D724,496 S * 3/2015 Takeda D12/110
D735,087 S * 7/2015 Iimura D12/110
D738,260 S * 9/2015 Akita D12/110
D738,789 S * 9/2015 Inose D12/110
D754,567 S * 4/2016 Iimura D12/110
D792,287 S * 7/2017 Kobayashi D12/110
D809,433 S * 2/2018 Kobayashi D12/110
D817,818 S * 5/2018 Iimura D12/110
D825,393 S * 8/2018 Miyata D12/110
D867,222 S * 11/2019 Inose D12/110
D875,614 S * 2/2020 Akita D12/110
D890,033 S * 7/2020 Carducci D12/110
2013/0313034 A1 * 11/2013 Matsushima F02M 35/0201
180/219
2015/0060178 A1 * 3/2015 Matsushima F02M 35/048
180/219
2015/0090513 A1 * 4/2015 Tani B62K 11/04
180/227

OTHER PUBLICATIONS

“2018 MX Bike Buyer’s Guide.” Dirt Bike Magazine., Jan. 2, 2018 [online], [retrieved on Nov. 5, 2020]. Retrieved from the Internet <URL: <https://dirtbikemagazine.com/2018-mx-bike-buyers-guide/>>.*

* cited by examiner

Fig. 1

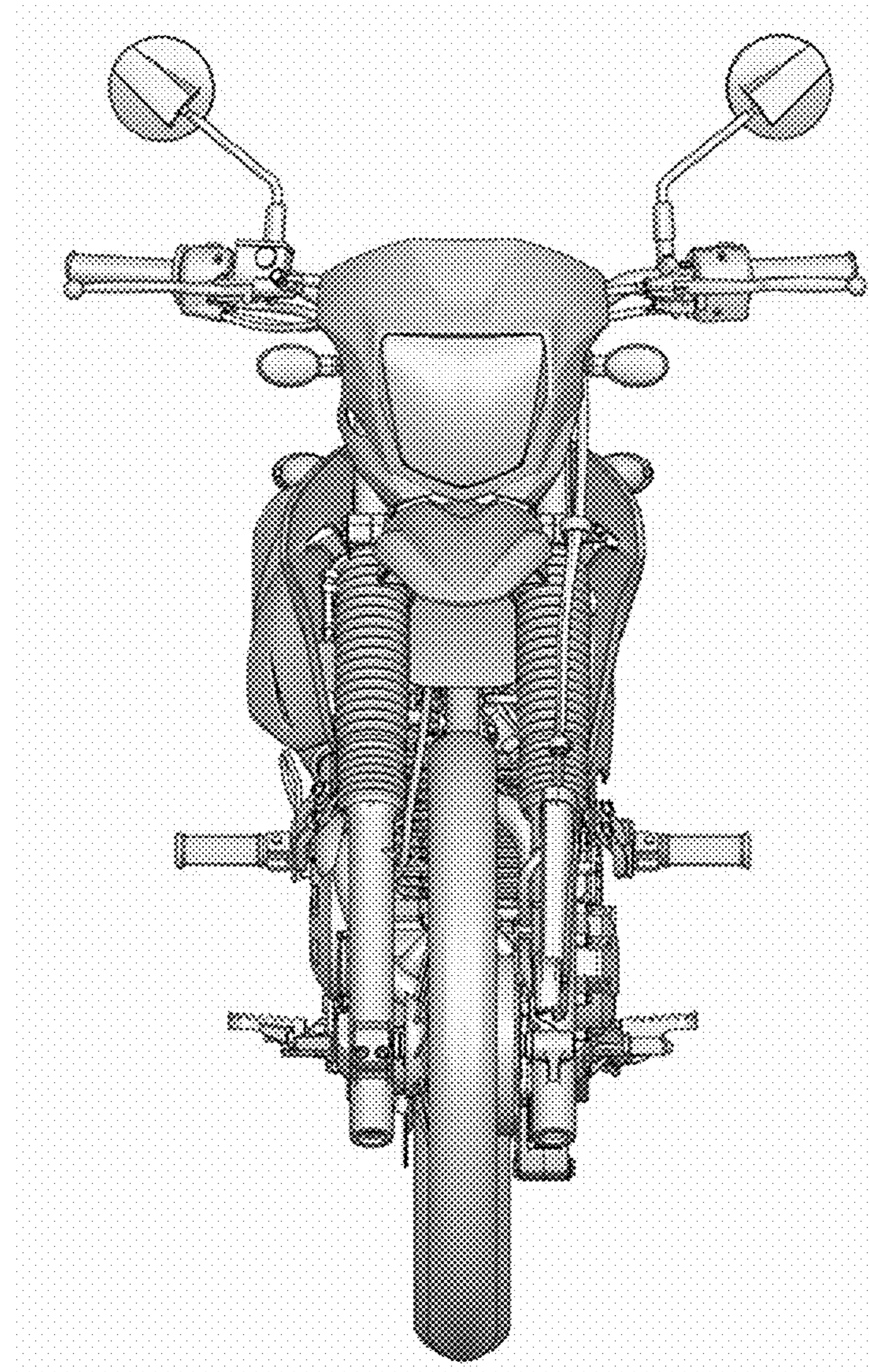
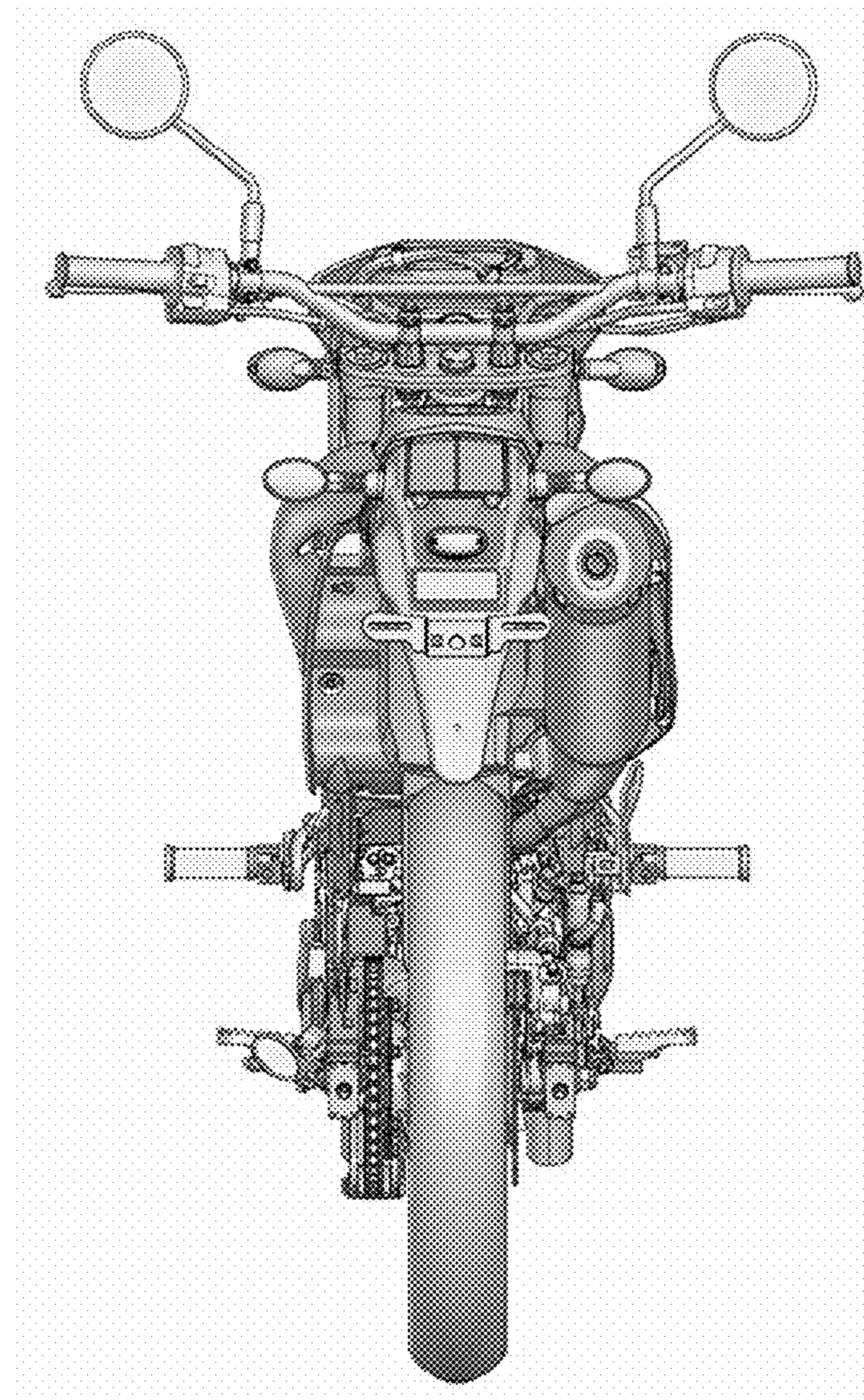


Fig. 2



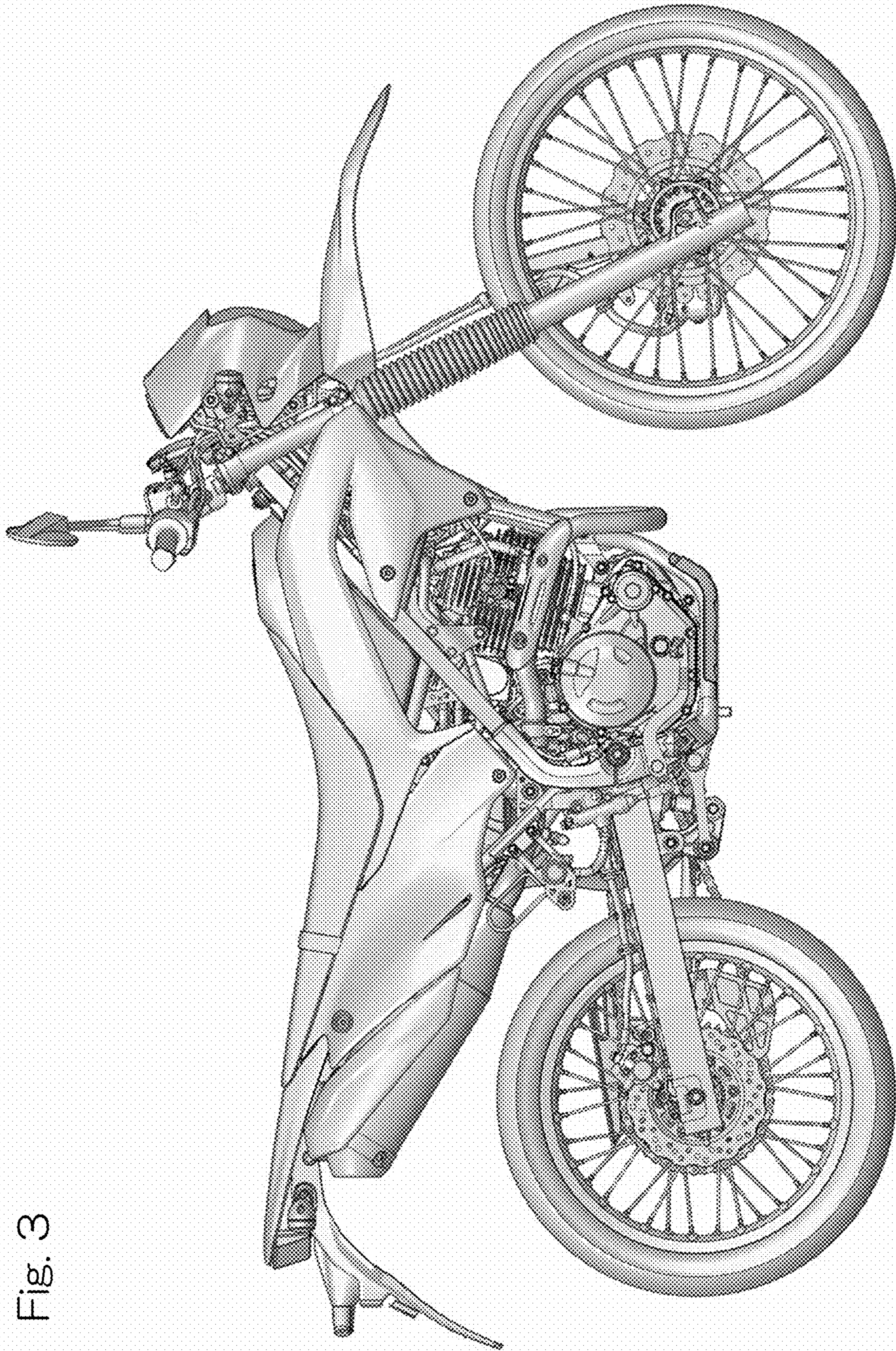


Fig. 3

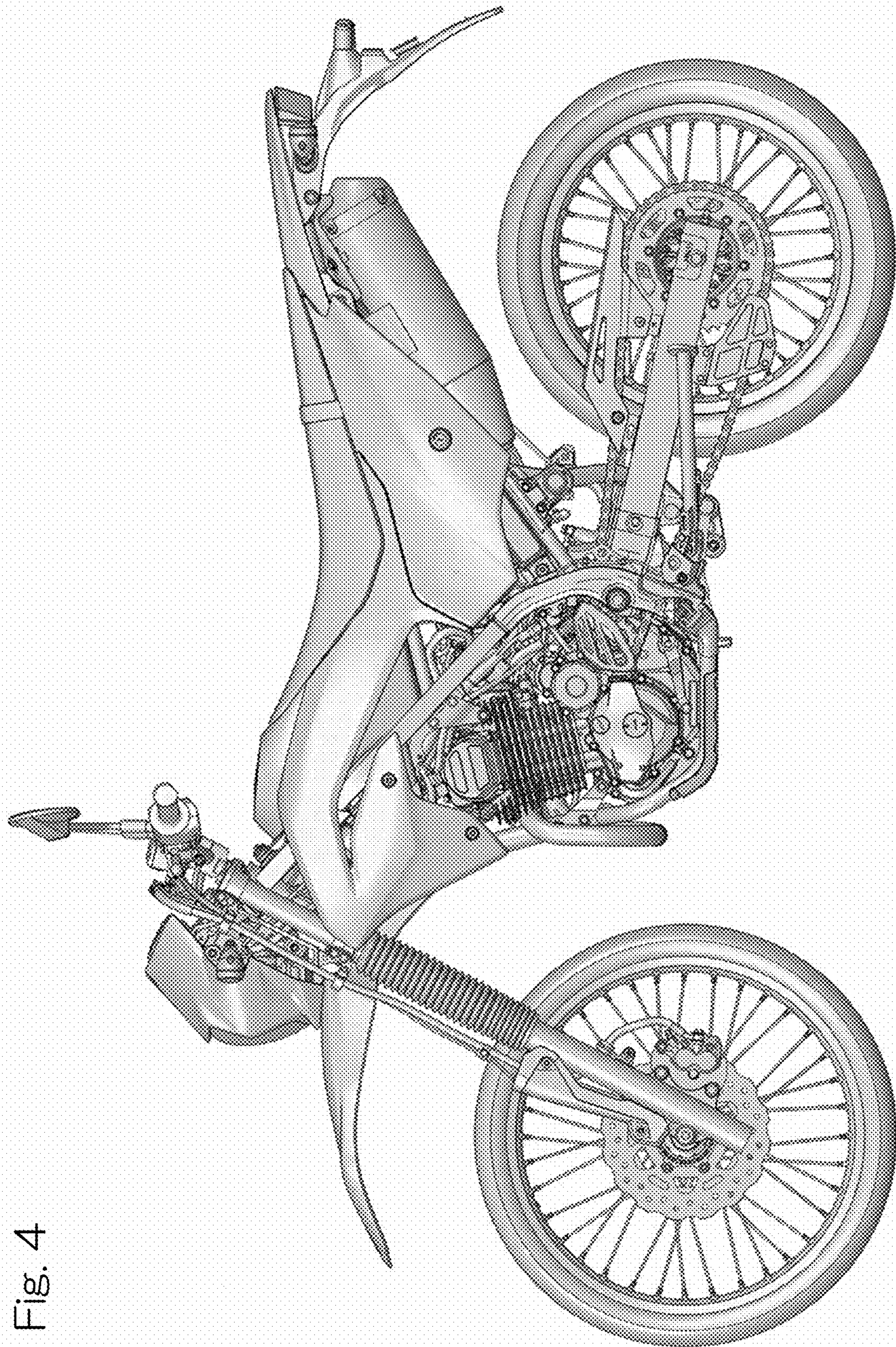
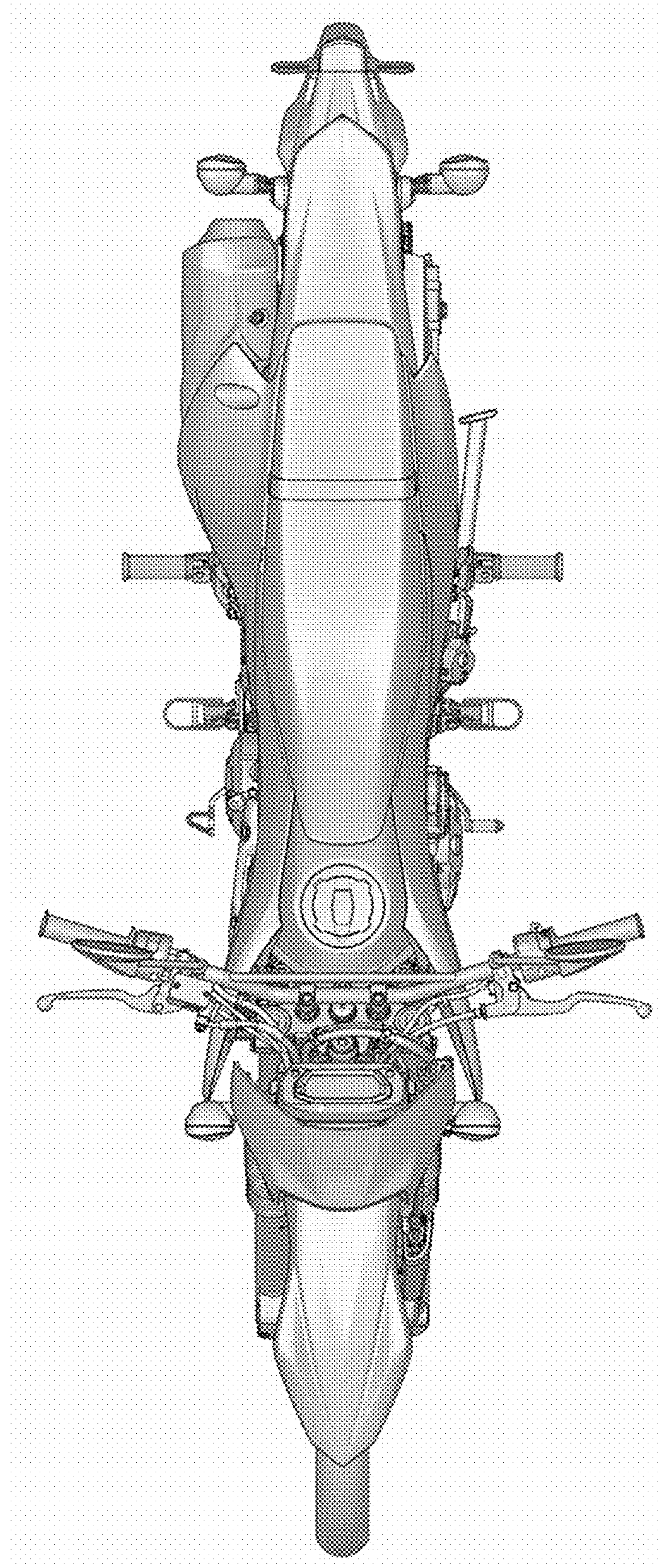


Fig. 4

Fig. 5



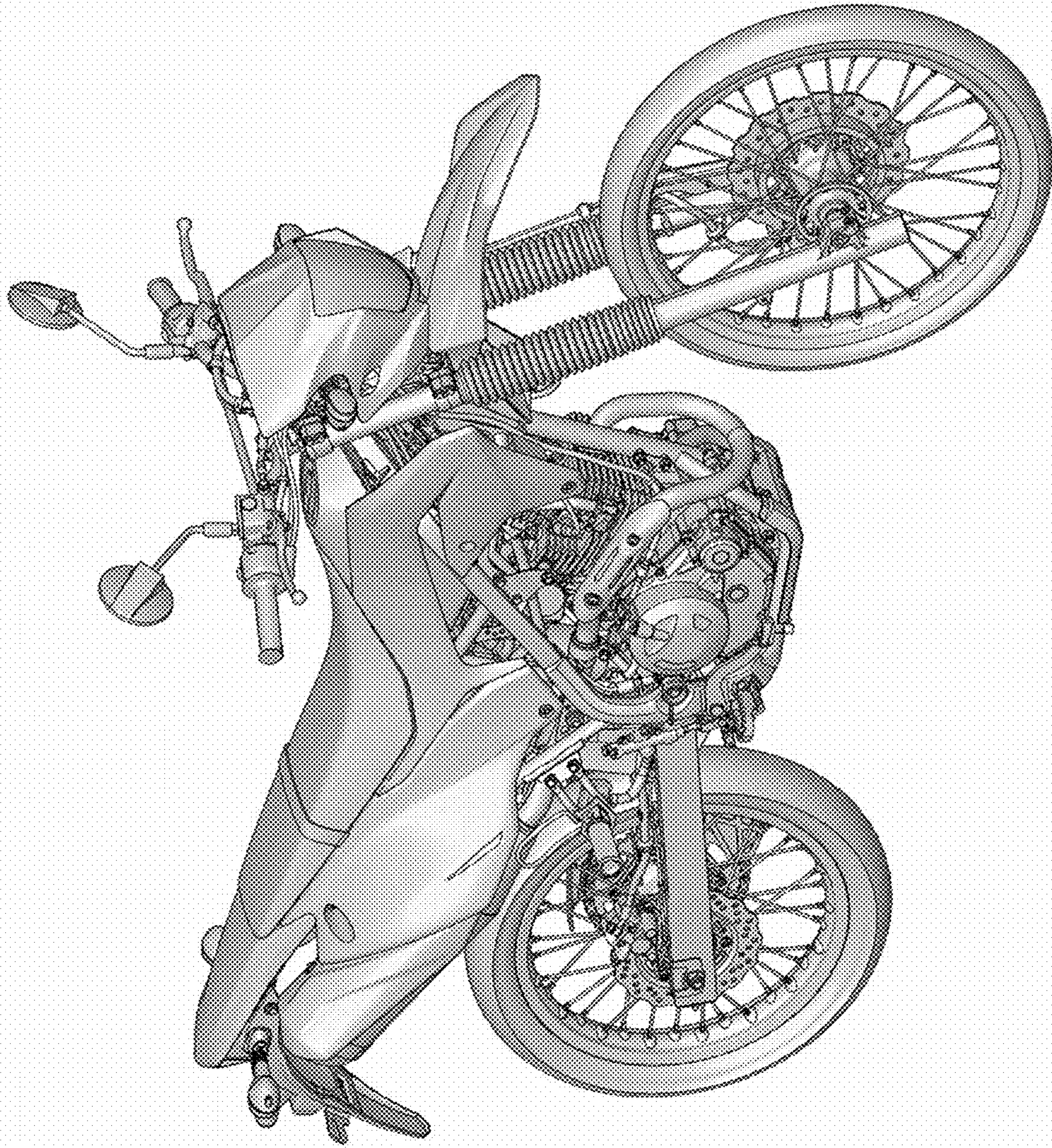


Fig. 6

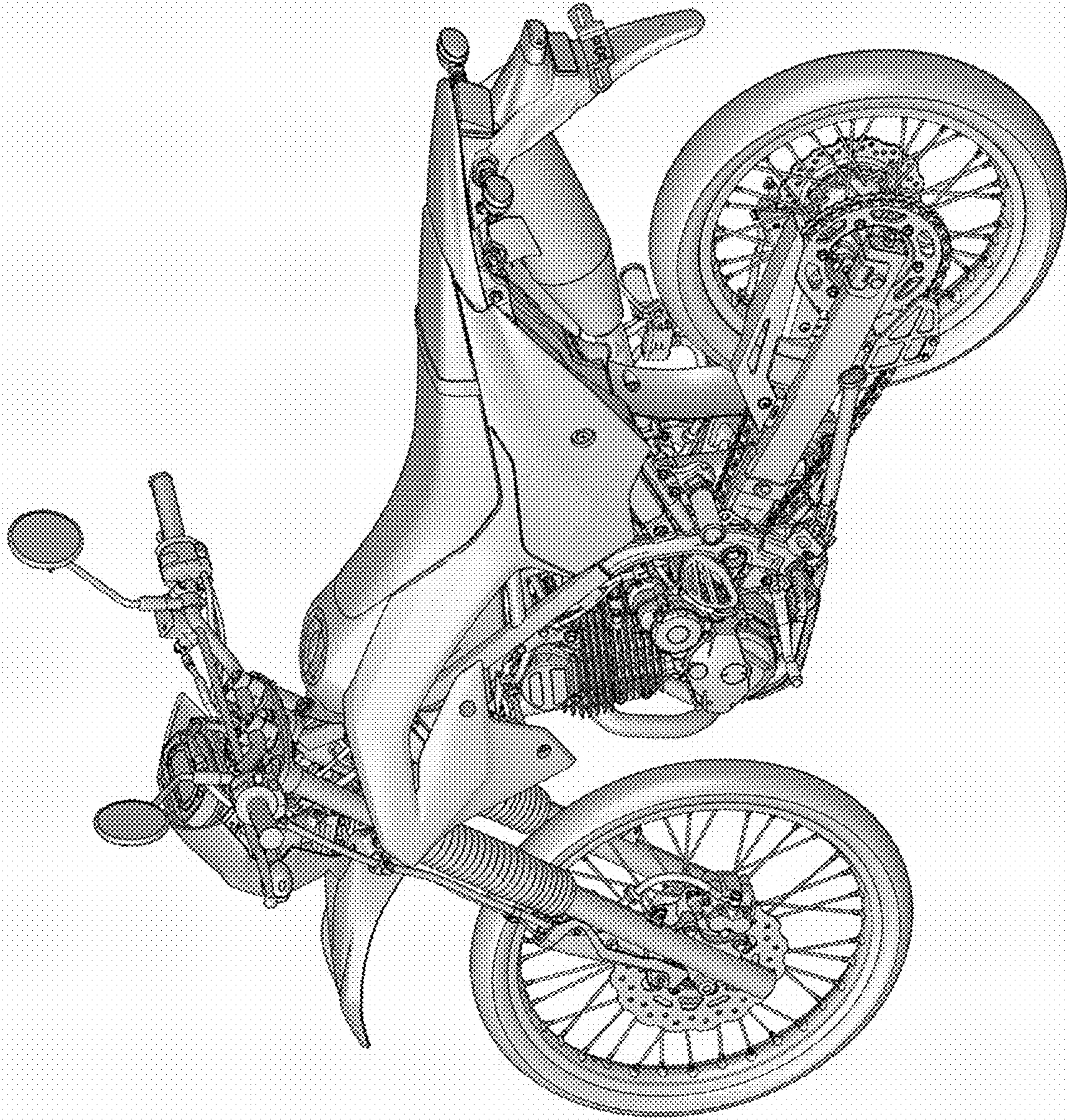


Fig. 7