



US00D910490S

(12) **United States Design Patent**
Lim et al.

(10) **Patent No.:** **US D910,490 S**
(45) **Date of Patent:** **** Feb. 16, 2021**

- (54) **AUTOMOTIVE VEHICLE**
- (71) Applicant: **KARMA AUTOMOTIVE LLC**,
Irvine, CA (US)
- (72) Inventors: **Samuel Floro Lim**, Irvine, CA (US);
Zhinan Bryan Liu, Costa Mesa, CA
(US); **Jacques Flynn**, Long Beach, CA
(US); **Raul Cenan**, Marina Del Rey,
CA (US); **Andreas Thurner**, Irvine,
CA (US)
- (73) Assignee: **Karma Automotive LLC**, Irvine, CA
(US)
- (**) Term: **15 Years**
- (21) Appl. No.: **29/689,373**
- (22) Filed: **Apr. 29, 2019**
- (51) **LOC (13) Cl.** **12-08**
- (52) **U.S. Cl.**
USPC **D12/92**
- (58) **Field of Classification Search**
USPC D12/86, 90-92; D21/424, 433, 434;
296/181.1-181.5, 183.1
CPC B62D 25/00; B62D 25/06; B62D 33/00;
B62D 35/00
See application file for complete search history.

D786,135 S *	5/2017	Burki	D12/92
D797,606 S *	9/2017	Oh	D12/92
D808,302 S *	1/2018	Oh	D12/92
D821,923 S *	7/2018	Lee	D12/92
D826,781 S *	8/2018	Scheinhutte	D12/91
D836,031 S *	12/2018	Lim	D12/92
D855,497 S *	8/2019	Kim	D12/91
D857,556 S *	8/2019	Scheinhutte	D12/91
D858,354 S *	9/2019	Scheinhutte	D12/91
D858,355 S *	9/2019	Scheinhutte	D12/91
D877,658 S *	3/2020	Burki	D12/91

* cited by examiner

Primary Examiner — Melody N Brown

(74) *Attorney, Agent, or Firm* — Gordon Rees Scully;
Mansukhani, LLP

(57) **CLAIM**

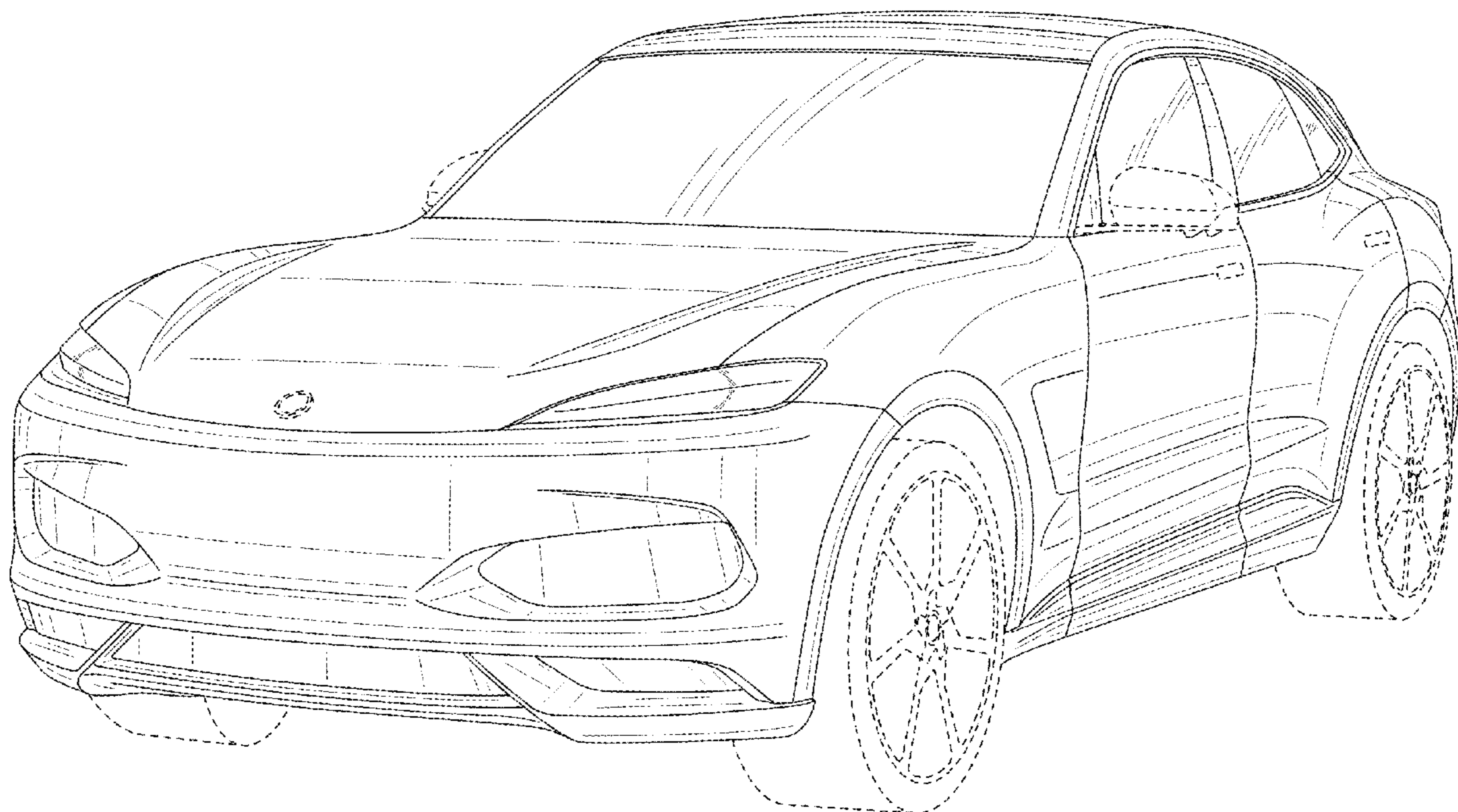
The ornamental design for an automotive vehicle, as shown
and described.

DESCRIPTION

FIG. 1 is a front and right side perspective view of an
automotive vehicle showing our new design;
FIG. 2 is a front elevational view thereof;
FIG. 3 is a rear elevational view thereof;
FIG. 4 is a right side elevational view thereof;
FIG. 5 is a left side elevational view thereof;
FIG. 6 is a top plan view thereof; and,
FIG. 7 is a rear and right side perspective view thereof.
The broken lines shown throughout the drawing views are
for illustrative and environmental purposes and form no part
of the claimed design.

1 Claim, 6 Drawing Sheets

- (56) **References Cited**
U.S. PATENT DOCUMENTS
D574,754 S * 8/2008 Miniati D12/92
D690,620 S * 10/2013 Scheinhutte D12/92



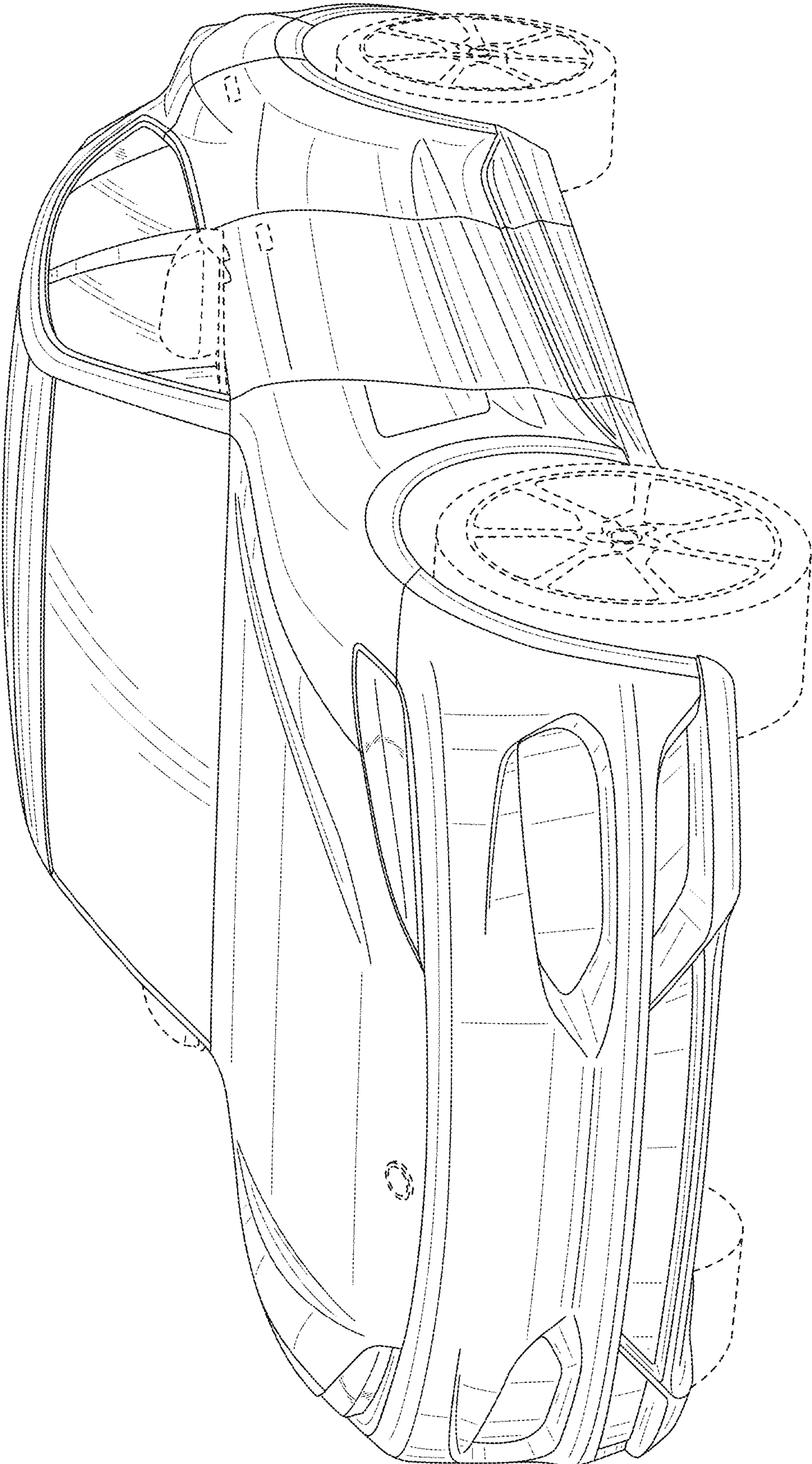


FIG. 1

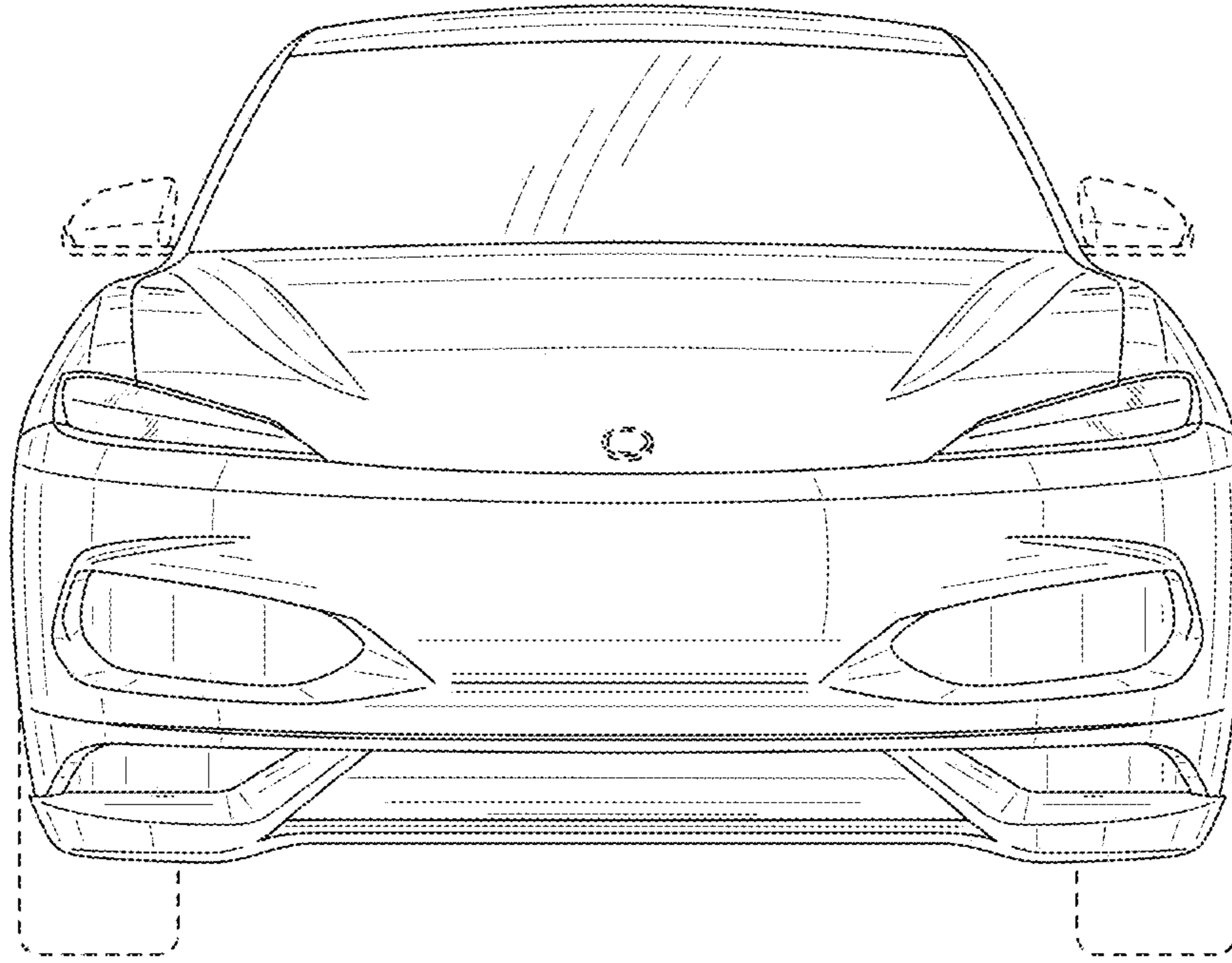


FIG. 2

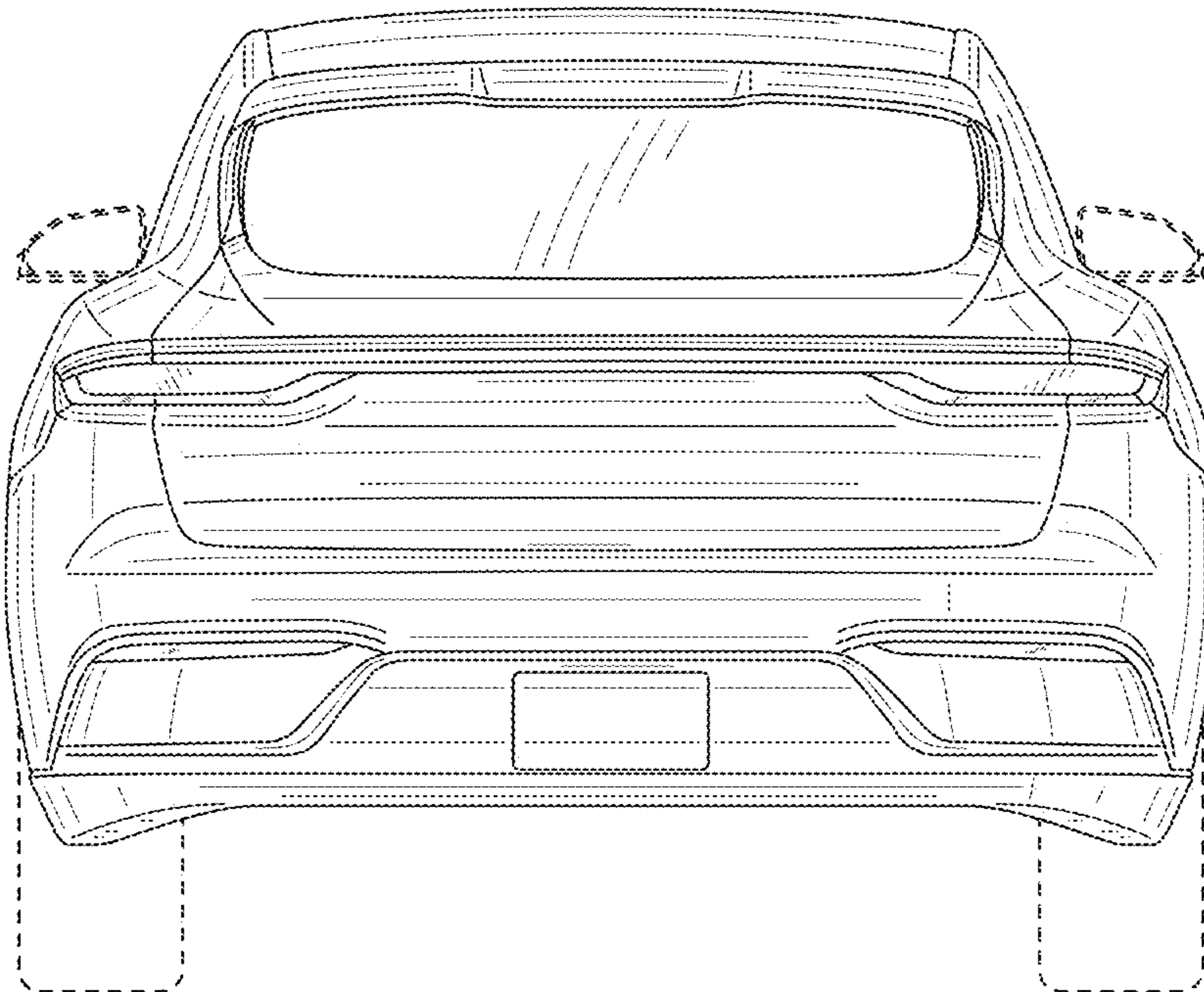


FIG. 3

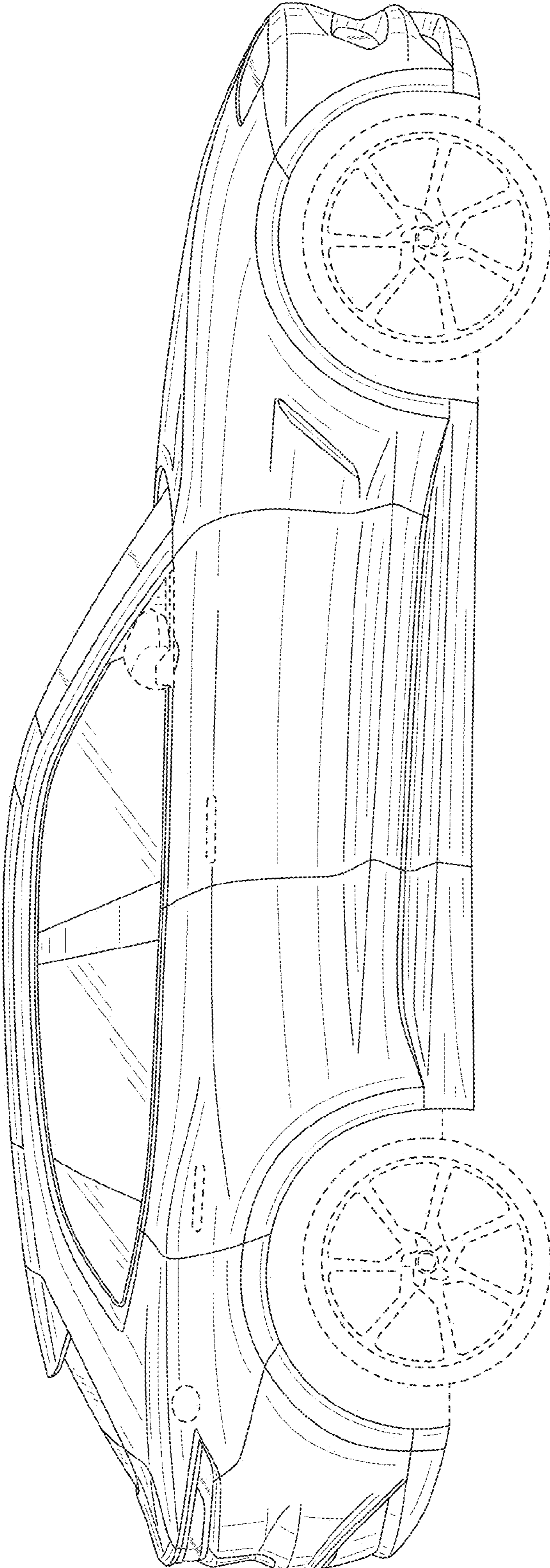


FIG. 4

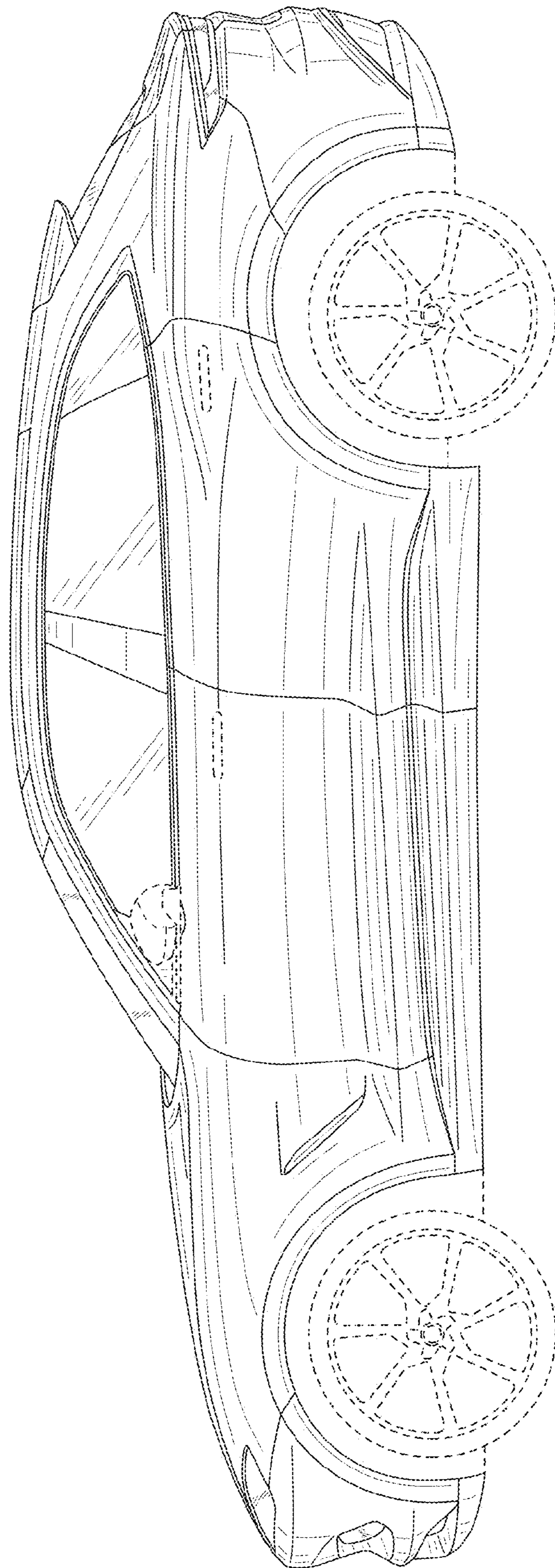


FIG. 5

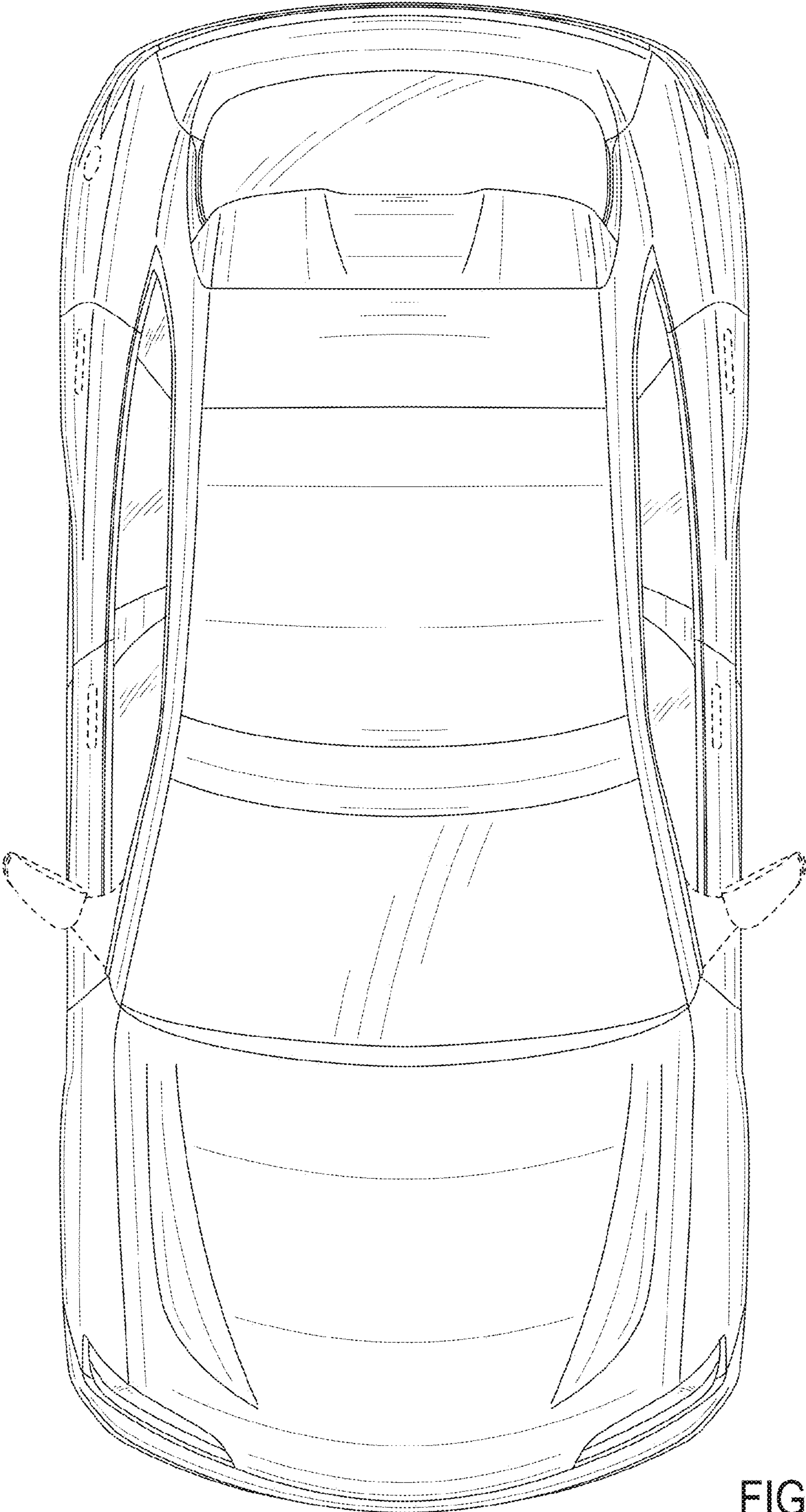


FIG. 6

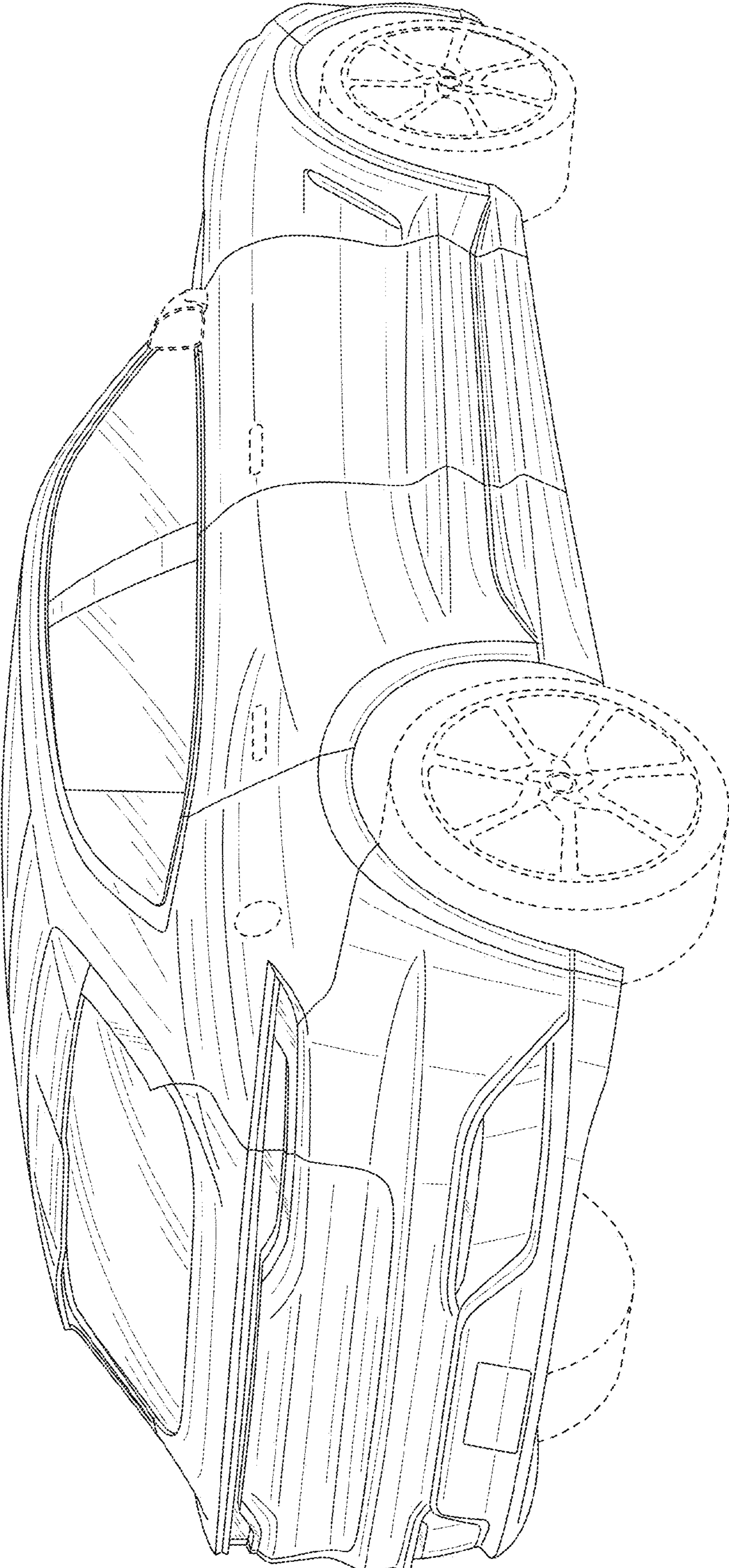


FIG. 7