



US00D910485S

(12) **United States Design Patent**
Paik et al.

(10) **Patent No.:** **US D910,485 S**

(45) **Date of Patent:** **** Feb. 16, 2021**

(54) **BUCKLE FOR BAGS**

(71) Applicant: **WOJIN PLASTIC CO., LTD.**,
Guri-si (KR)

(72) Inventors: **Jisook Paik**, Seoul (KR); **Nan Hee Paik**, Seoul (KR); **Ji Hye Paik**, Seoul (KR); **Ji Won Son**, Seoul (KR)

(73) Assignee: **WOJIN PLASTIC CO., LTD.**,
Guri-si (KR)

(**) Term: **15 Years**

(21) Appl. No.: **29/656,897**

(22) Filed: **Jul. 17, 2018**

(51) **LOC (13) Cl.** **02-07**

(52) **U.S. Cl.**
USPC **D11/216**

(58) **Field of Classification Search**
USPC D2/624–640, 853, 976; D3/24, 213, 215,
D3/216, 230, 222; D8/14, 16, 19, 331,
D8/343, 349, 356, 358, 359, 360, 363,
D8/366, 371, 382, 394, 395; D10/32;
D11/1–3, 87, 93, 200, 201, 206–210,
D11/212–219, 220, 230–237;
D29/100–101.5, 122, 129; D30/139, 152,
D30/153
CPC A44B 11/00; A44B 11/02; A44B 11/04;
A44B 11/05; A44B 11/06; A44B 11/10;
A44B 11/14; A44B 11/18; A44B 11/22;
A44B 11/26; A44B 11/125; A44B 11/233;
A44B 11/001; A44B 11/005; A44B
11/006; A44B 11/2503; A44B 11/2507;
A44B 11/2526; A44B 11/2553; A44B
11/2592; A44B 11/2519; A44B 11/2452;
A44B

(Continued)

(56) **References Cited**

U.S. PATENT DOCUMENTS

3,214,815 A * 11/1965 Mathison A44B 11/02
24/200
D454,093 S * 3/2002 Schlatter D11/216
(Continued)

FOREIGN PATENT DOCUMENTS

KR 301011086.0000 * 6/2019

OTHER PUBLICATIONS

Magic Side Pouch, Jun. 2, 2019, [online], [site visited Jul. 28, 2020].
Retrieved from url:https://www.youtube.com/watch?time_continue=8&v=MvavpVkJ88&feature=emb_logo (Year: 2019).*

Primary Examiner — Michelle E. Wilson

Assistant Examiner — Tracey J Bell

(74) *Attorney, Agent, or Firm* — Novick, Kim & Lee,
PLLC; Jae Youn Kim; Hyun Woo Shin

(57) **CLAIM**

The ornamental design for a buckle for bags, as shown and described.

DESCRIPTION

FIG. 1 is a perspective view of a buckle for bags showing our new design;
FIG. 2 is a front view thereof;
FIG. 3 is a rear view thereof;
FIG. 4 is a left-side view thereof;
FIG. 5 is a right-side view thereof;
FIG. 6 is a top view thereof;
FIG. 7 is a bottom view thereof;
FIG. 8 is an exploded perspective view of the buckle for bags; and,

(Continued)

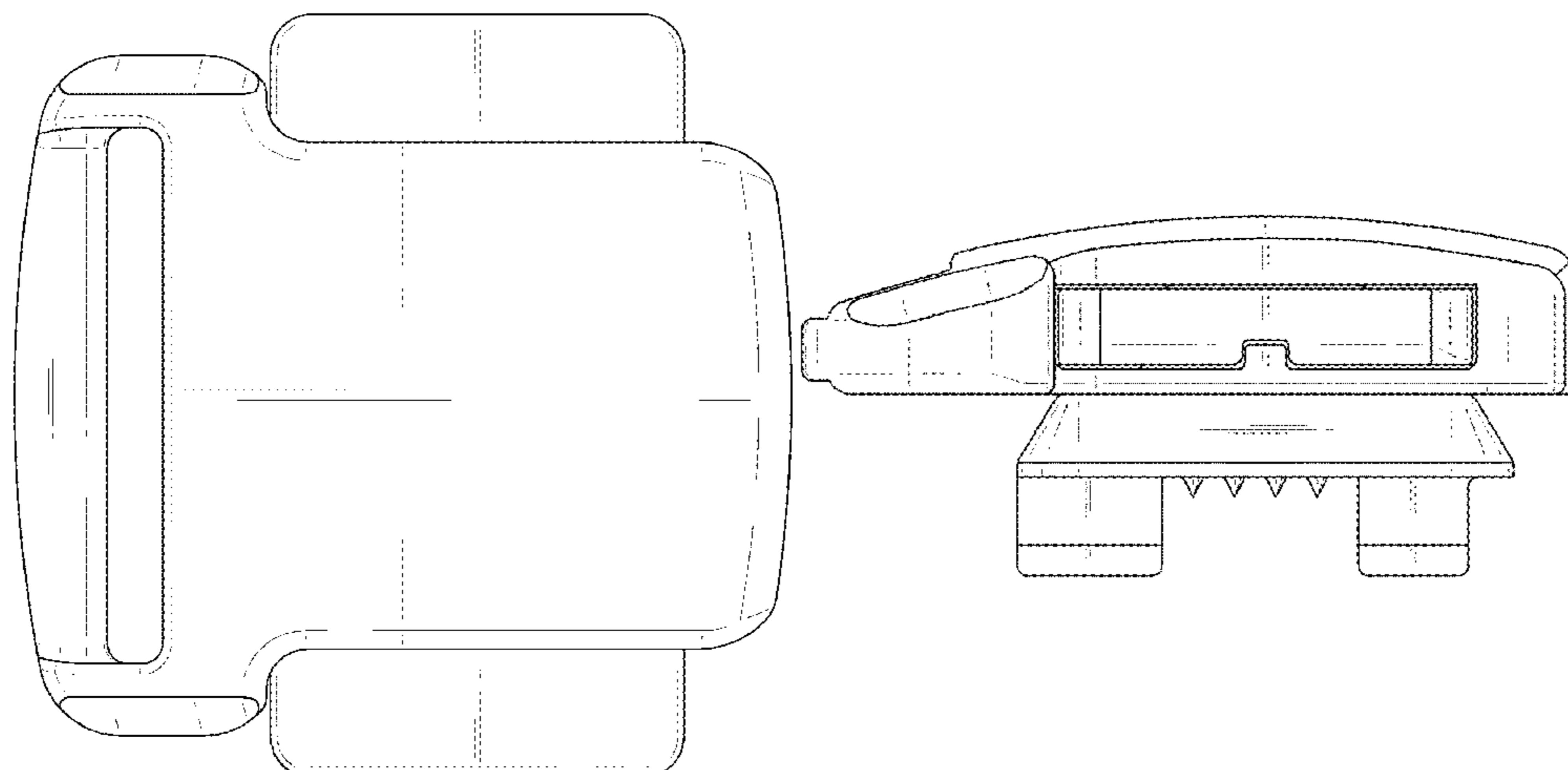


FIG. 9 is a perspective view of the buckle for bags shown with environmental subject matter.

The broken lines in FIGS. 3, 4, and 5 show portions of the buckle for bags and form no part of the claimed design. The broken lines showing the fixing member in FIG. 9 depicts environmental subject matter and form no part of the claimed design.

1 Claim, 9 Drawing Sheets

(58) **Field of Classification Search**

CPC 13/00; A41F 1/008; A41F 9/002; A41F 9/007; A41F 15/002; B60R 22/30; B60R 22/32; B60R 22/002; B60R 2022/1806; B60R 2022/1812; B60R 2022/281; B65D 63/16; A62B 35/00

See application file for complete search history.

(56)

References Cited

U.S. PATENT DOCUMENTS

6,543,101	B2 *	4/2003	Sack	A44B 11/2511
				24/625
6,695,269	B1 *	2/2004	Anscher	A45C 13/30
				224/269
7,267,081	B2 *	9/2007	Steinbacher	A01K 27/006
				119/858
D700,540	S *	3/2014	Kaneko	D11/216
D701,792	S *	4/2014	Kelleghan	D11/216
D714,679	S *	10/2014	Fildan	D11/200
D845,168	S *	4/2019	Paik	D11/216
D861,534	S *	10/2019	Paik	D11/216
2006/0230585	A1 *	10/2006	Fildan	A44B 11/04
				24/200
2016/0227940	A1 *	8/2016	Wikner	A47D 13/025
2017/0172262	A1 *	6/2017	Paik	A45F 3/047

* cited by examiner

Fig. 1

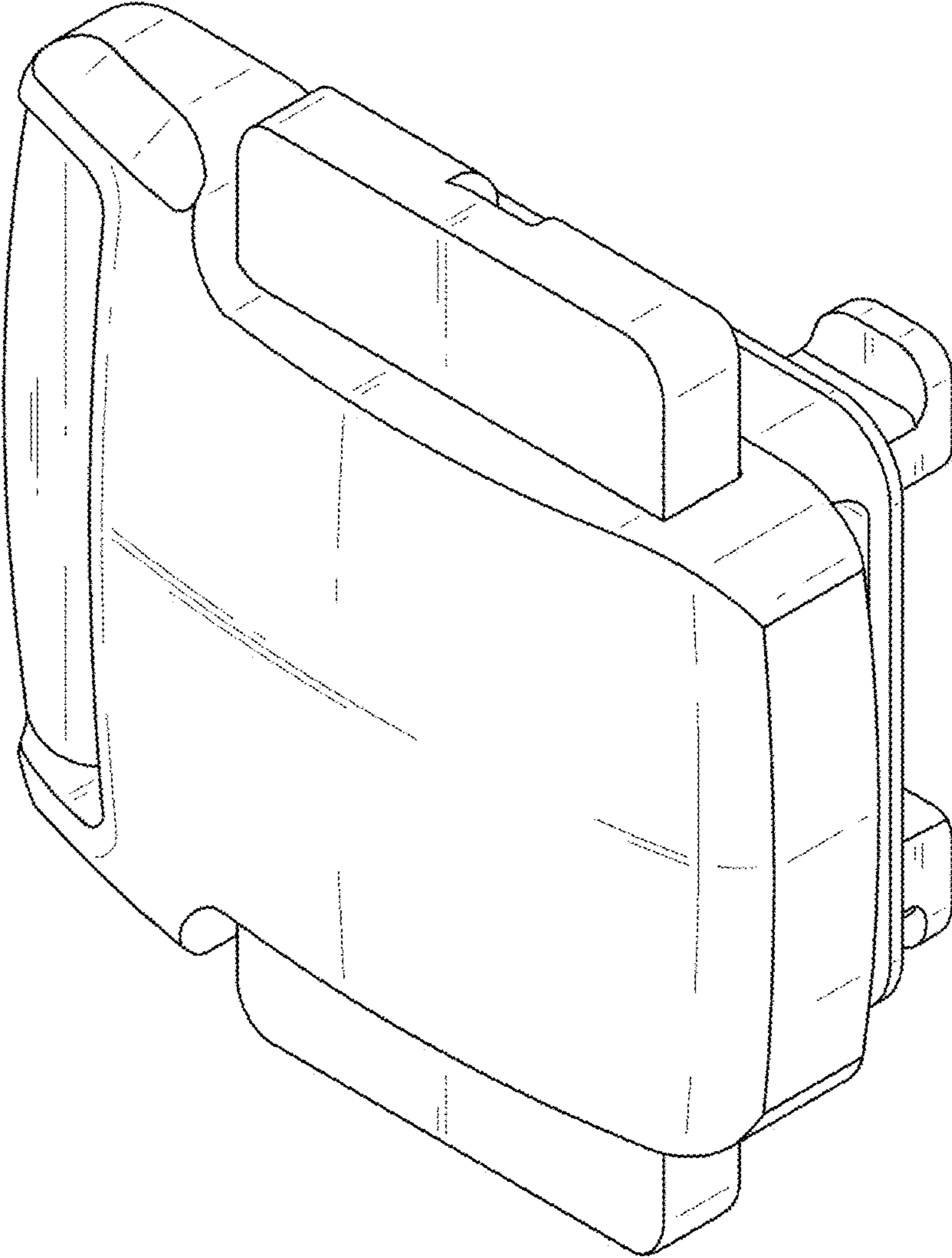


Fig. 2

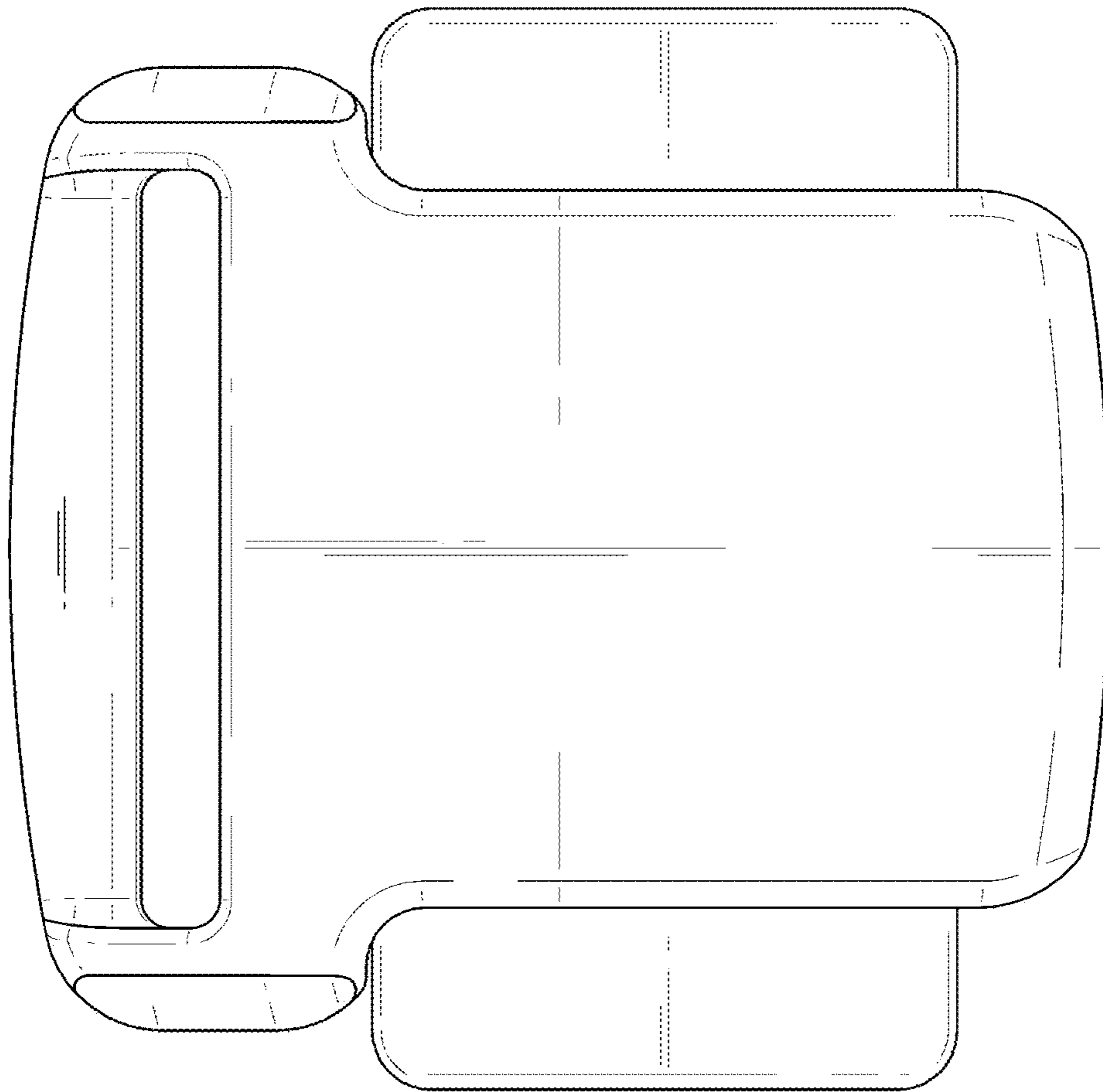


Fig. 3

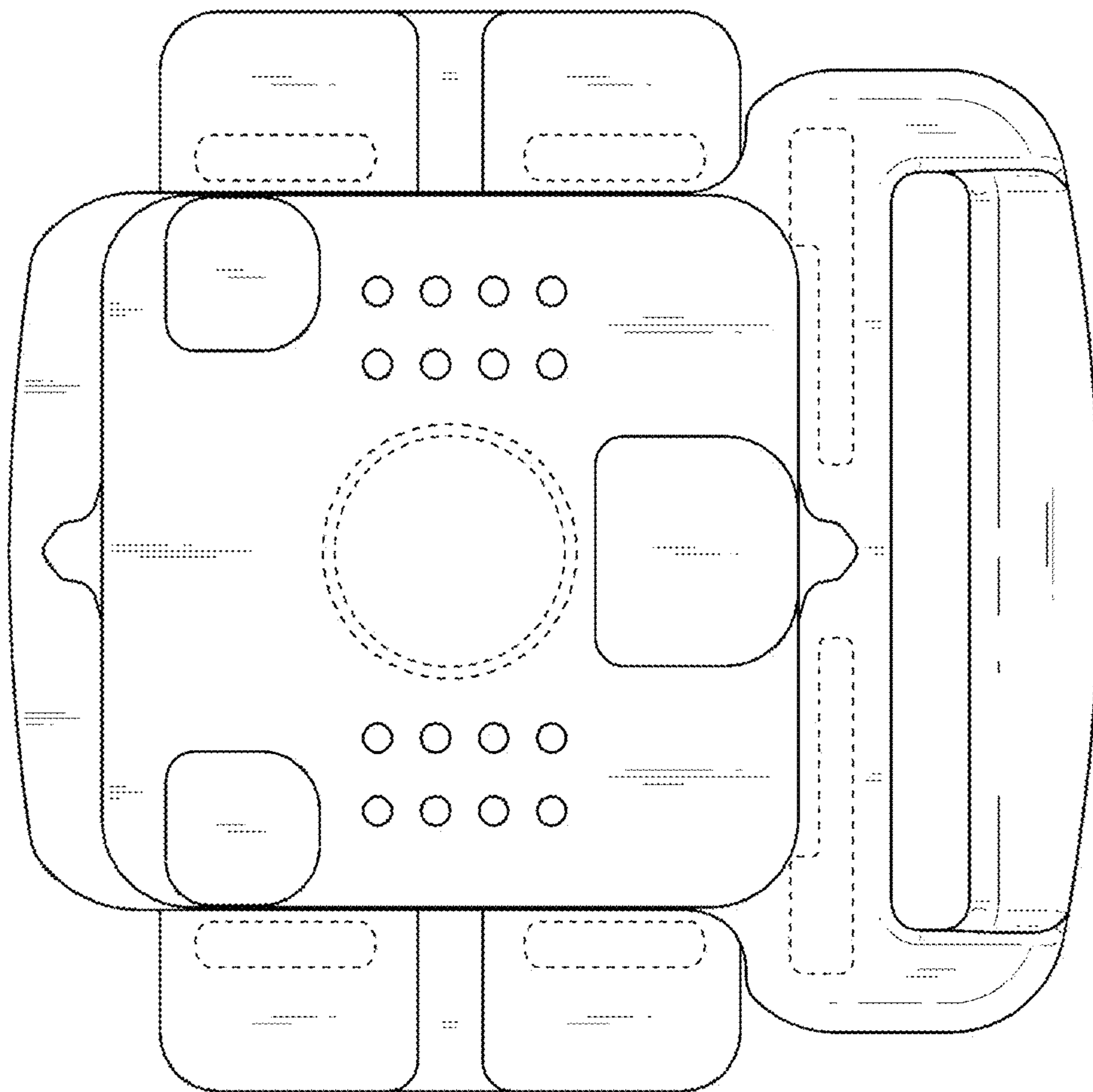


Fig. 4

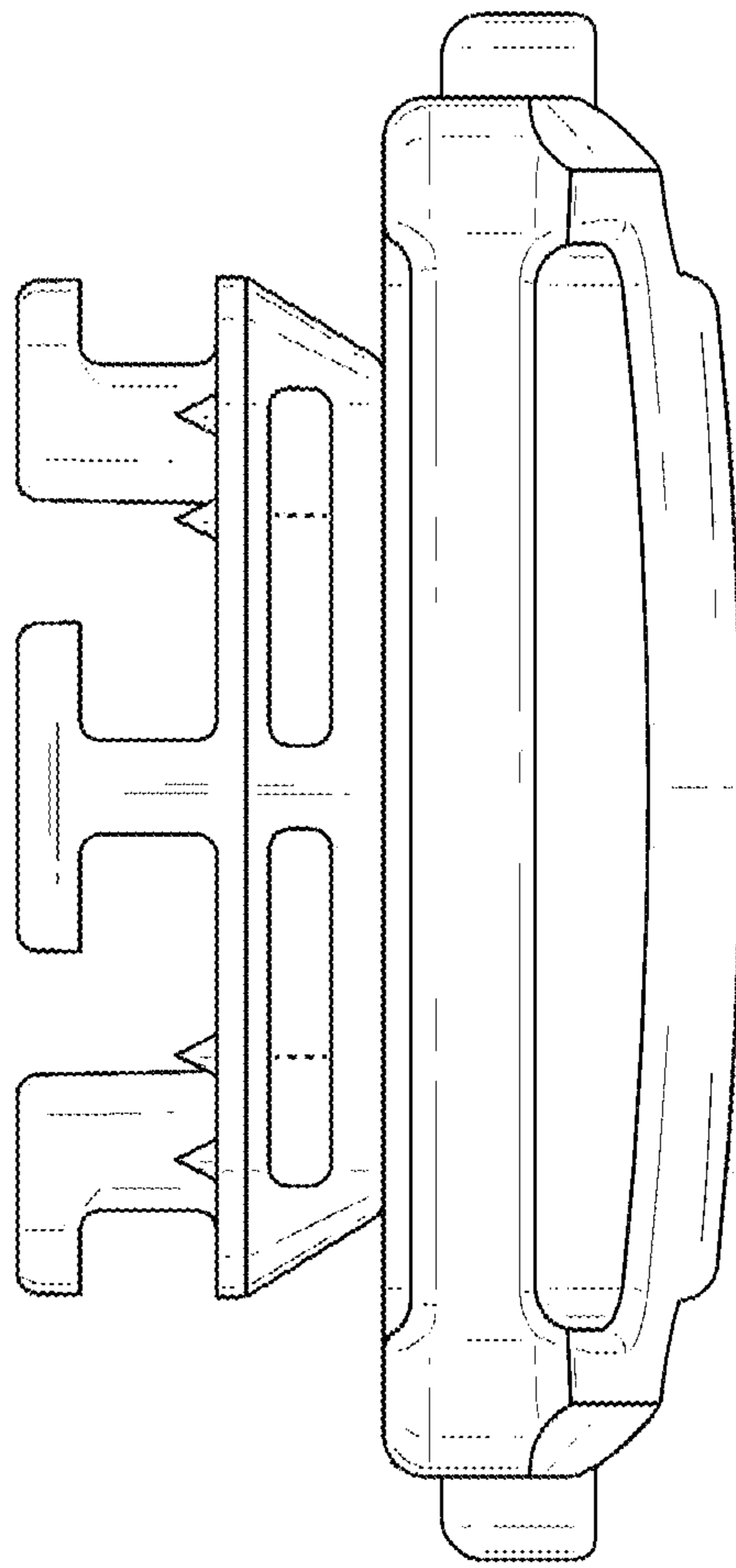


Fig. 5

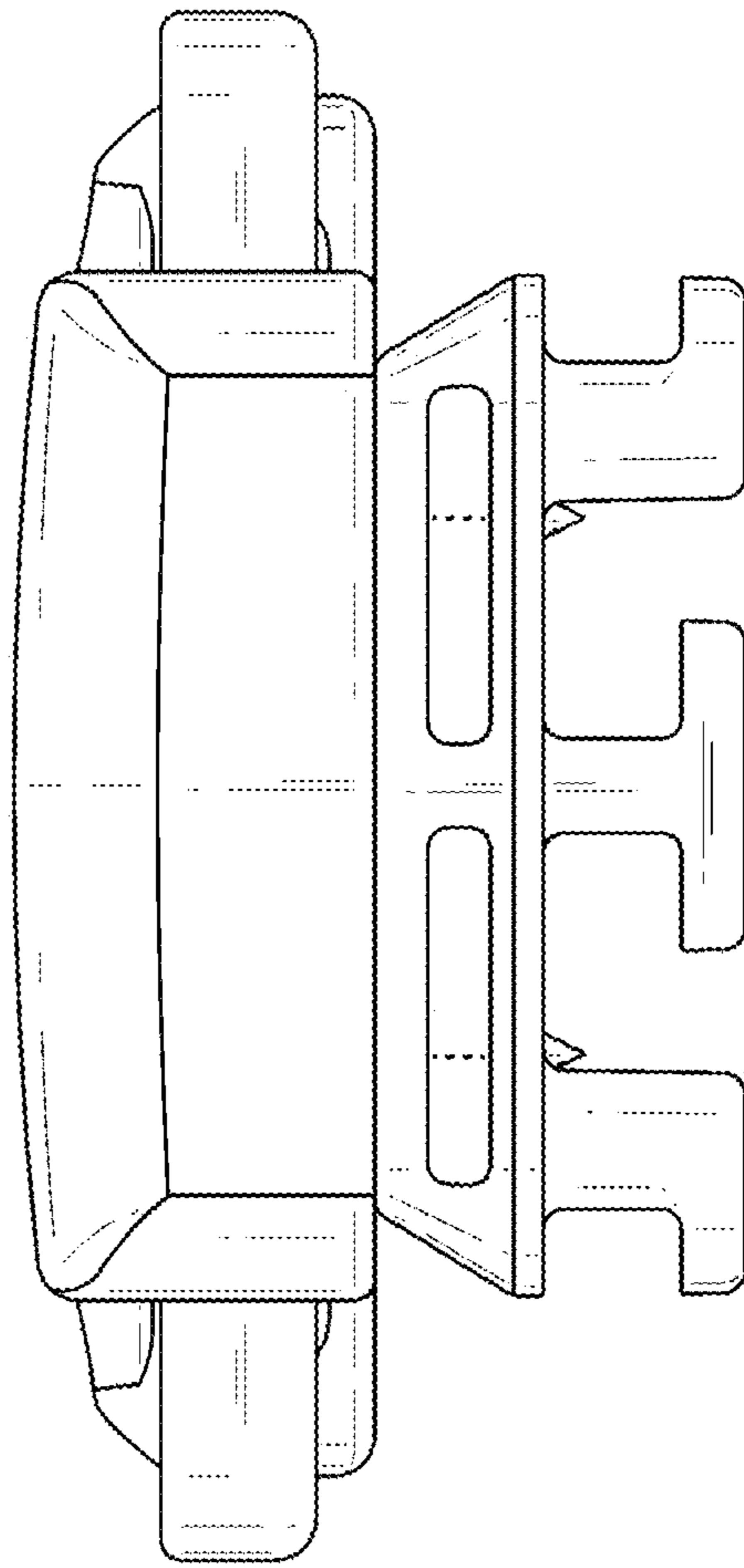


Fig. 6

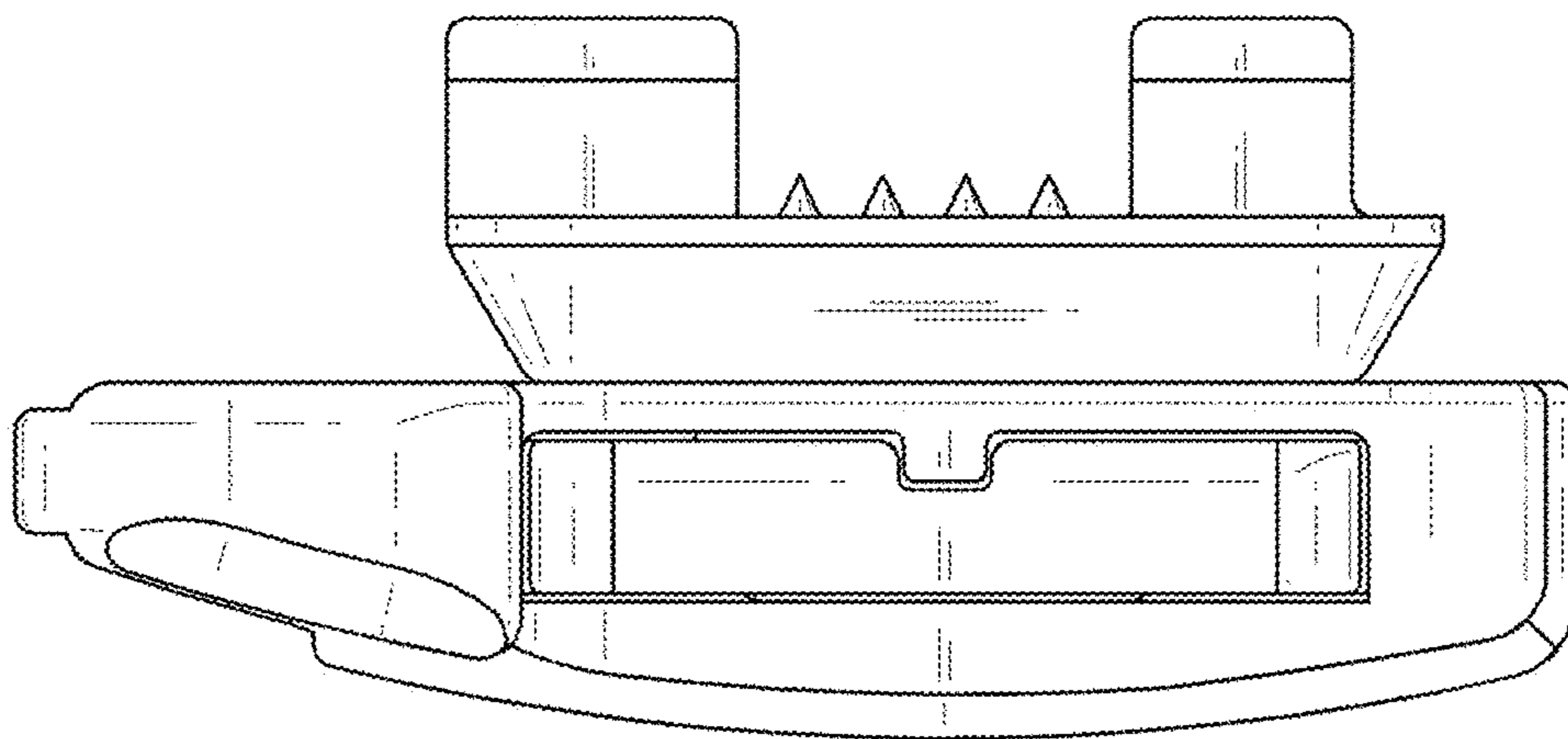


Fig. 7

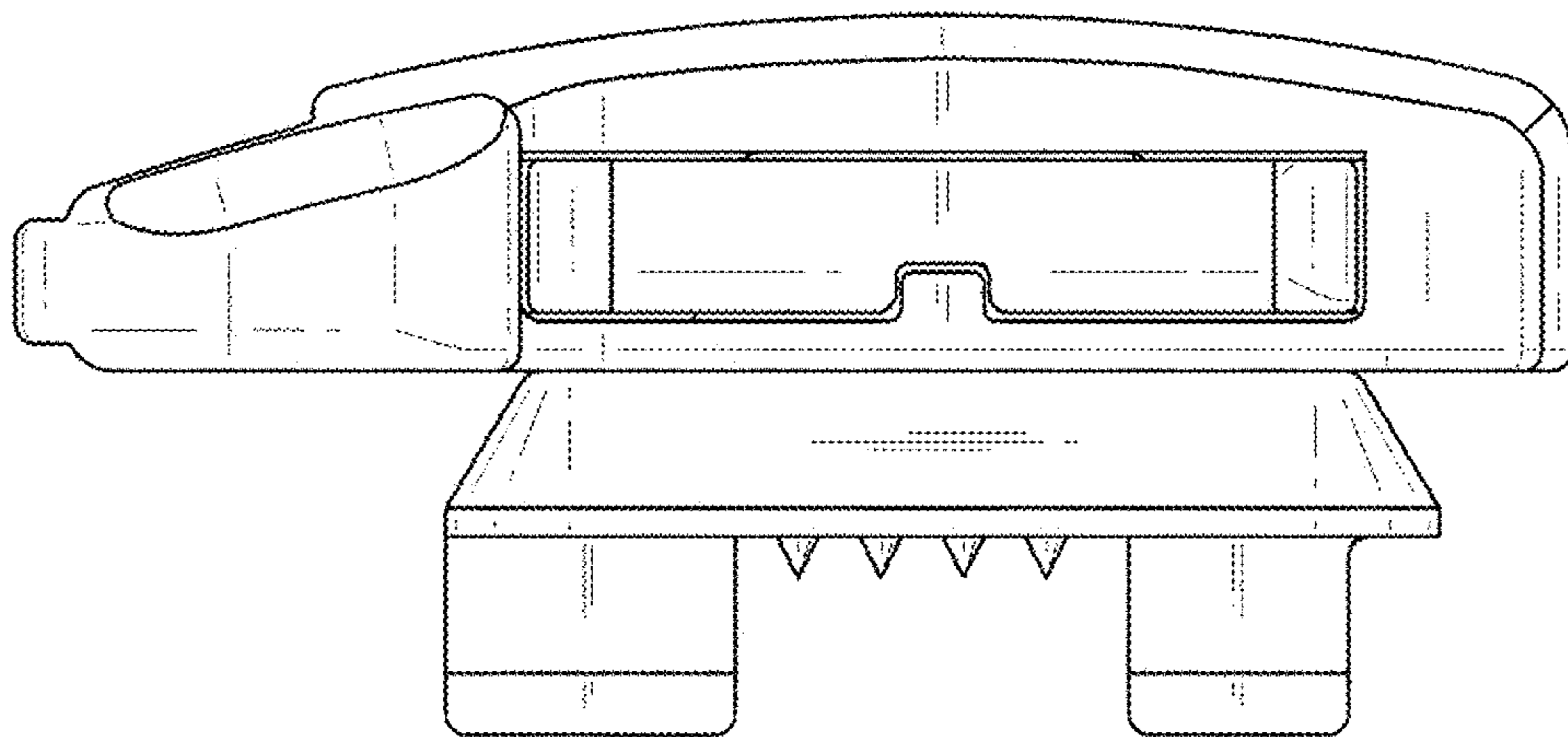


Fig. 8

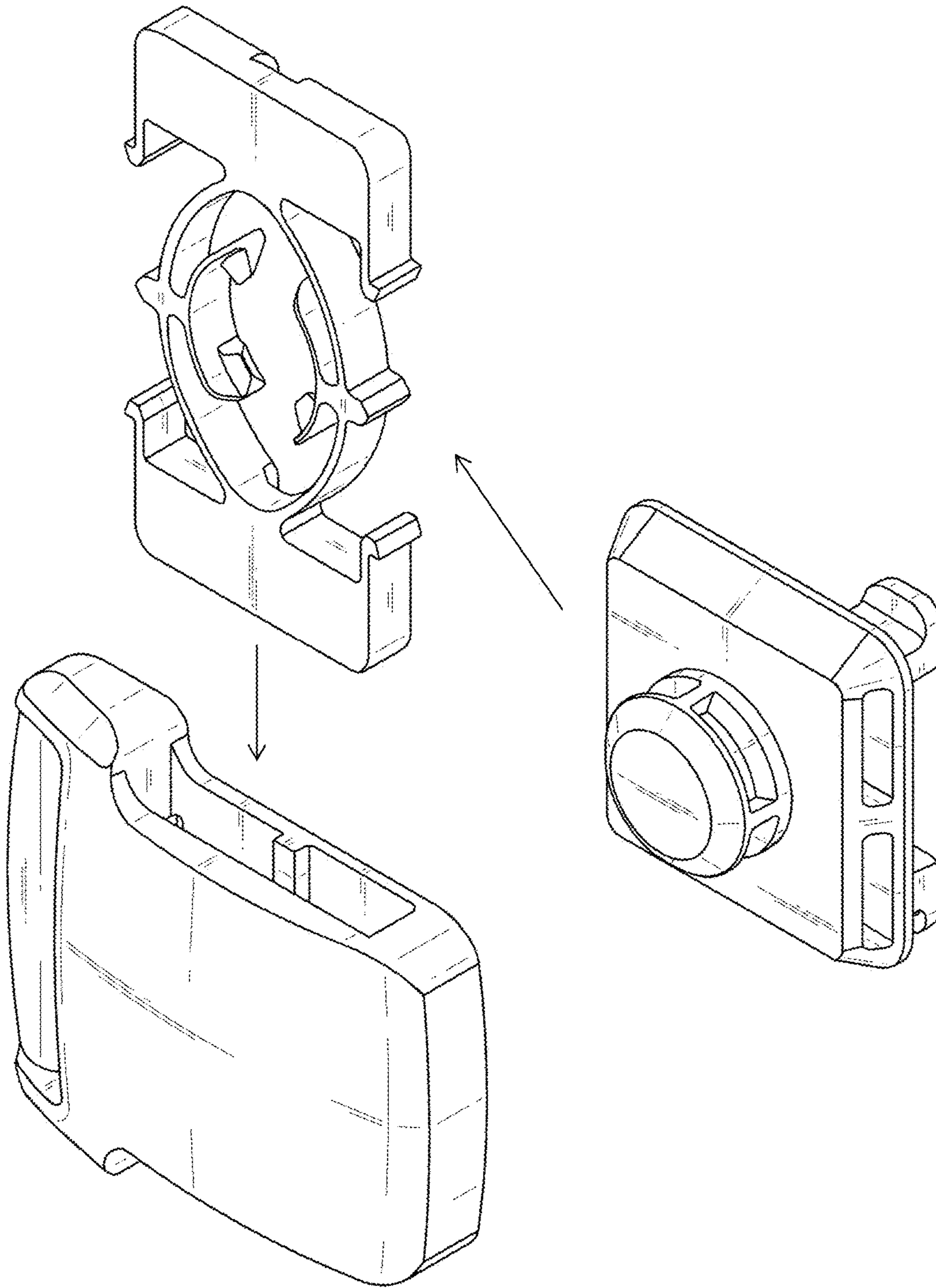


Fig. 9

