



US00D910483S

(12) **United States Design Patent** (10) **Patent No.:** **US D910,483 S**  
**Liner** (45) **Date of Patent:** **\*\* Feb. 16, 2021**

(54) **WIRE HOLDER**  
(71) Applicant: **Lina Liner**, Sunnyvale, CA (US)  
(72) Inventor: **Lina Liner**, Sunnyvale, CA (US)  
(\*\*) Term: **15 Years**  
(21) Appl. No.: **29/725,460**  
(22) Filed: **Feb. 25, 2020**  
(51) **LOC (13) Cl.** ..... **11-02**  
(52) **U.S. Cl.**  
USPC ..... **D11/146; D6/403**  
(58) **Field of Classification Search**  
USPC ..... D11/143–156, 164; D3/304, 306, 312;  
D6/403, 404, 405, 556, 557, 558; D8/1;  
D7/584, 587, 604, 606  
CPC . A01G 9/00; A01G 9/02; A01G 9/021; A01G  
9/022; A01G 9/027; A01G 9/029; A01G  
9/085; A01G 9/122; A01G 31/02; A01G  
31/06; A01G 5/04; A47G 7/00; A47G  
7/02; A47G 7/03; A47G 7/06; A47G 7/08  
See application file for complete search history.

4,094,096 A \* 6/1978 Huyssen ..... A01G 5/04  
47/41.13  
4,102,081 A \* 7/1978 Morrow ..... A01G 9/02  
47/67  
D331,865 S \* 12/1992 Parker ..... 47/70  
D342,774 S \* 12/1993 McCumbers ..... D22/115  
D377,844 S \* 2/1997 Gary ..... D21/840  
D378,439 S \* 3/1997 Gary ..... D21/840  
5,743,044 A \* 4/1998 Hopkins ..... A47G 7/047  
47/67  
D404,074 S \* 1/1999 Sarriugarte ..... D19/86  
D414,662 S \* 10/1999 Kerns ..... D8/1  
6,381,900 B1 \* 5/2002 Crowley ..... A01G 9/024  
47/29.1  
D490,659 S \* 6/2004 Gies ..... D7/620  
D509,713 S \* 9/2005 Gall ..... D11/146  
D574,670 S \* 8/2008 Grady ..... D6/681.2  
D605,901 S \* 12/2009 Price ..... D6/405  
D617,157 S \* 6/2010 Eacker ..... D8/1

(Continued)

*Primary Examiner* — Elizabeth A. Albert  
(74) *Attorney, Agent, or Firm* — Dunlap Bennett &  
Ludwig, PLLC

(57) **CLAIM**

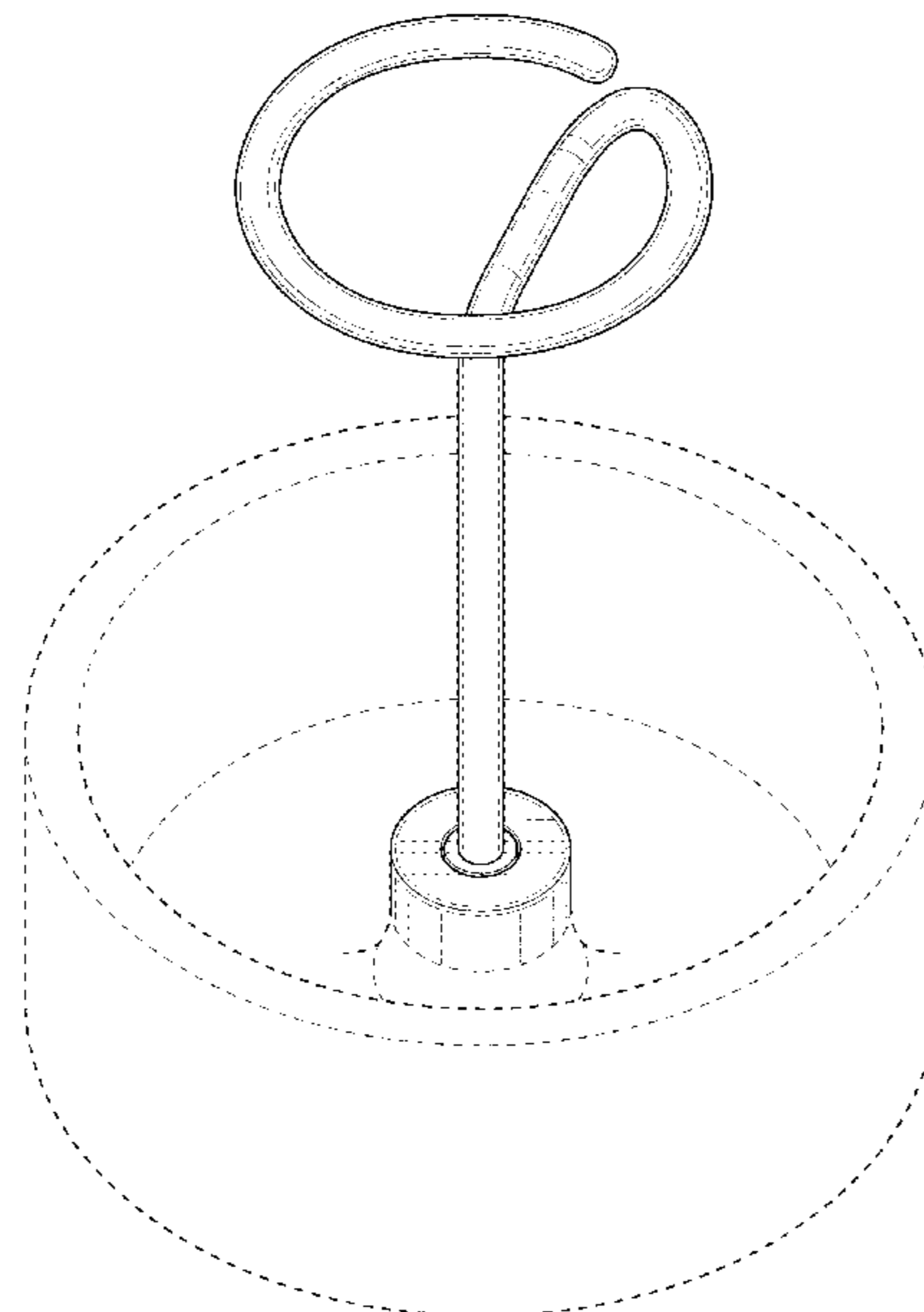
The ornamental design for a wire holder, as shown and described.

**DESCRIPTION**

FIG. 1 is a perspective view of a wire holder showing my new design;  
FIG. 2 is a front elevation view thereof;  
FIG. 3 is a rear elevation view thereof;  
FIG. 4 is a left-side elevation view thereof;  
FIG. 5 is a right-side elevation view thereof;  
FIG. 6 is a top plan view thereof;  
FIG. 7 is a bottom plan view thereof; and,  
FIG. 8 is another perspective view thereof.  
The broken lines in the drawings depict features that form no part of the claimed design.

**1 Claim, 7 Drawing Sheets**

(56) **References Cited**  
U.S. PATENT DOCUMENTS  
620,150 A \* 2/1899 Kitchen ..... A01G 9/02  
47/66.1  
1,351,249 A \* 8/1920 Vay Honstedt ..... A01G 13/043  
47/23.2  
1,693,393 A \* 11/1928 Lapolla ..... A01G 9/122  
47/47  
D137,106 S \* 1/1944 Caplan ..... D11/154  
2,426,443 A \* 8/1947 Fetterman ..... A01G 9/122  
47/47  
2,506,321 A \* 5/1950 Vosburgh ..... A47G 23/0225  
248/153  
D222,886 S \* 1/1972 Miner ..... D11/147  
D236,227 S \* 8/1975 Kester ..... D6/681



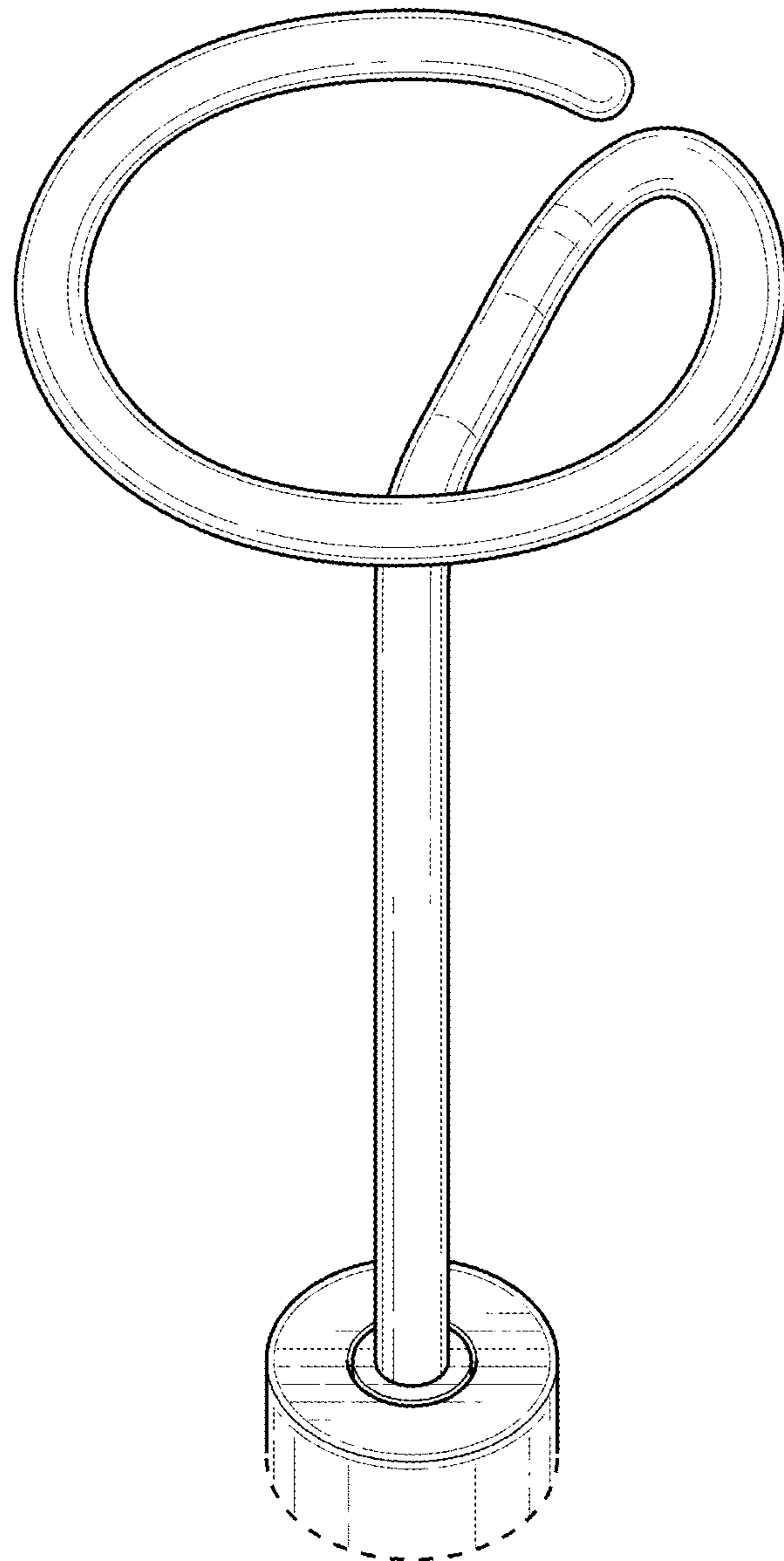
(56)

**References Cited**

U.S. PATENT DOCUMENTS

D628,464 S *	12/2010	Oskey .....	D8/356
8,123,187 B2 *	2/2012	Vosbikian .....	A01G 9/024
			248/318
D753,941 S *	4/2016	Boen .....	D6/681.1
D791,014 S *	7/2017	Hoffman .....	D11/148
D808,297 S *	1/2018	Chan .....	D11/164
D881,749 S *	4/2020	Shaw .....	D11/164

\* cited by examiner



**FIG. 1**

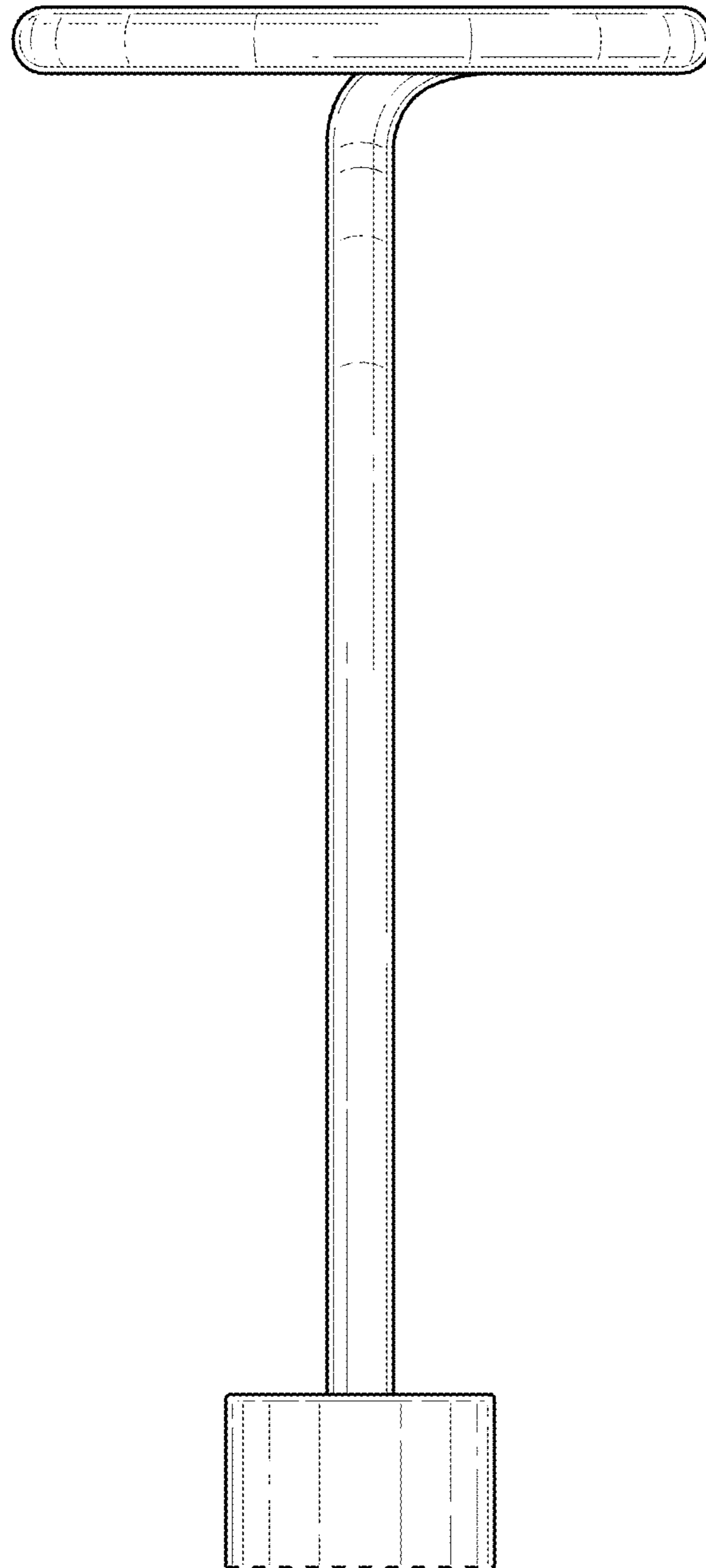
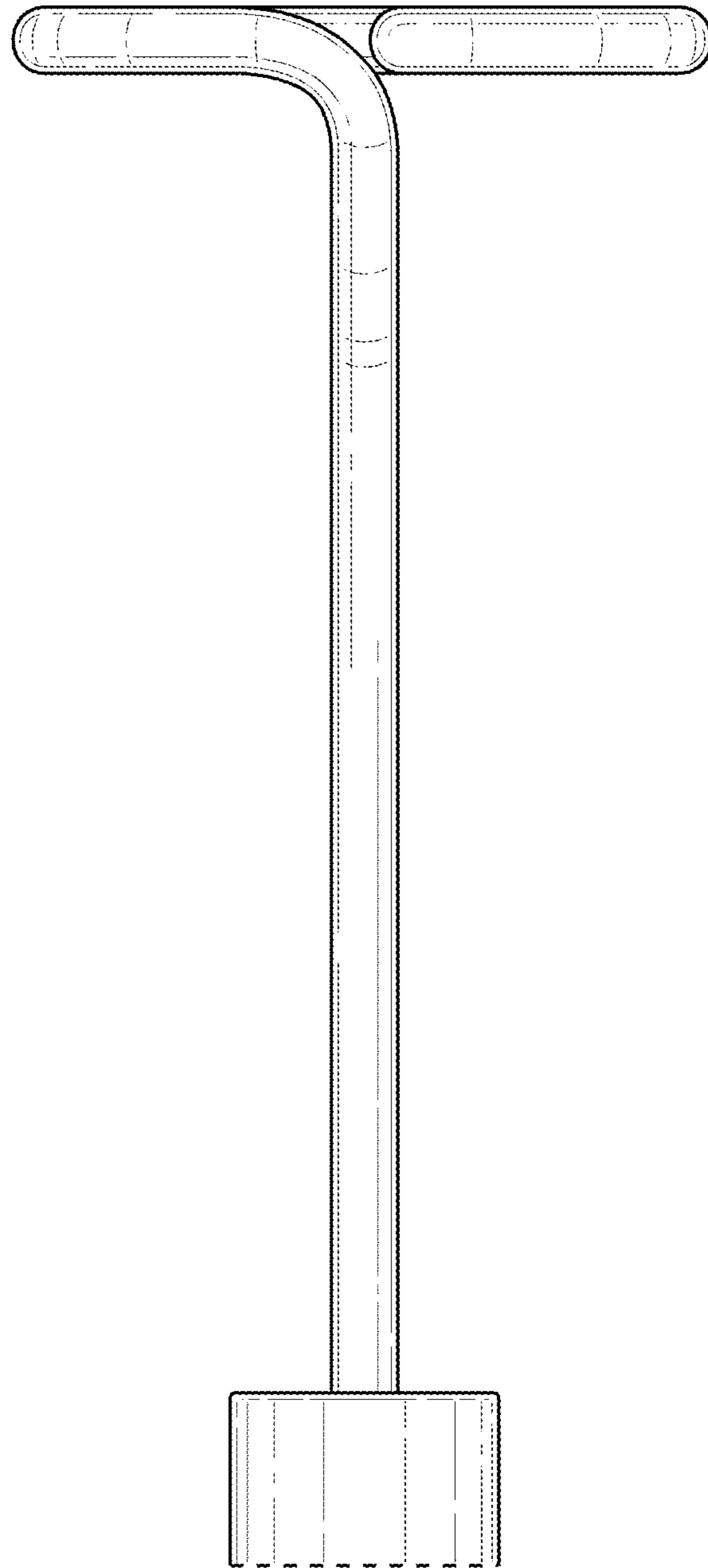


FIG. 2



**FIG. 3**

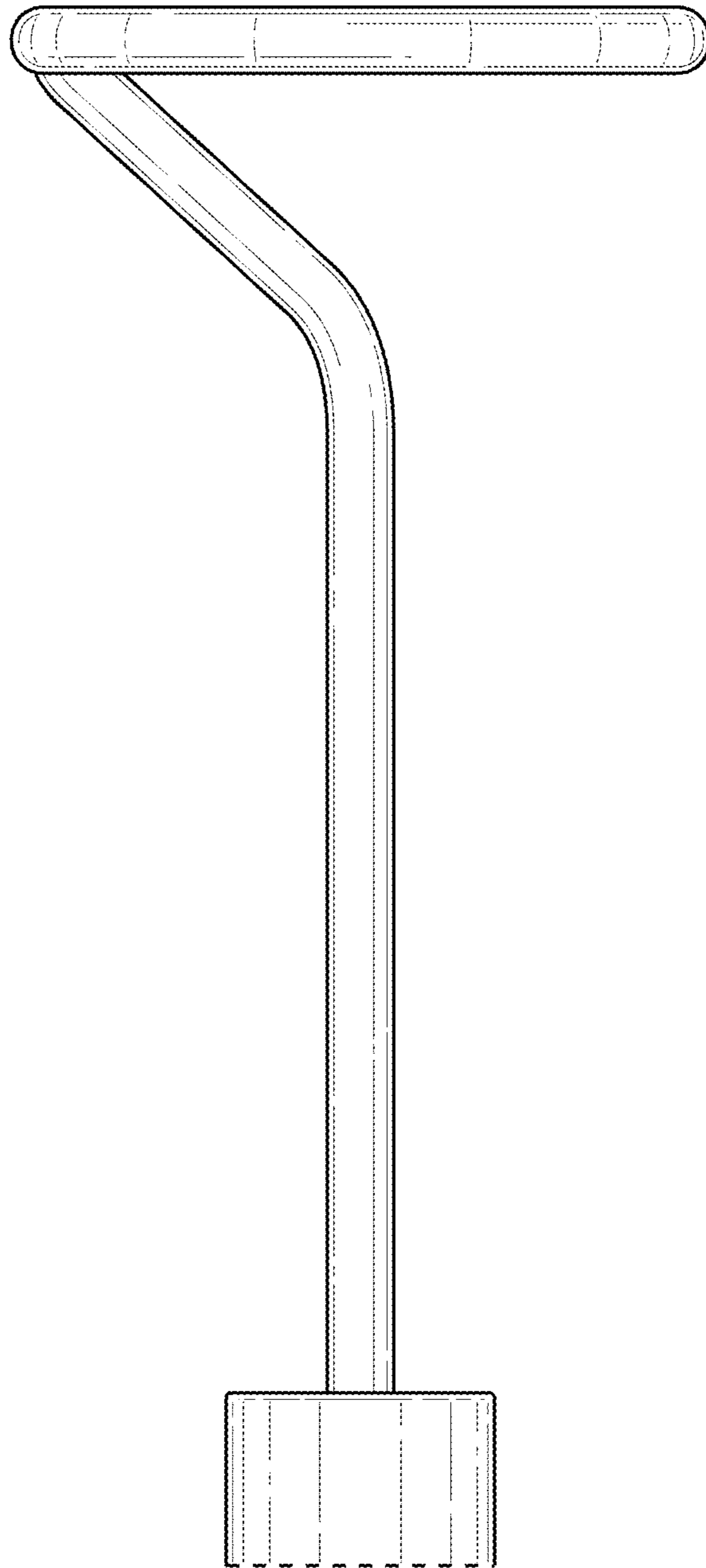
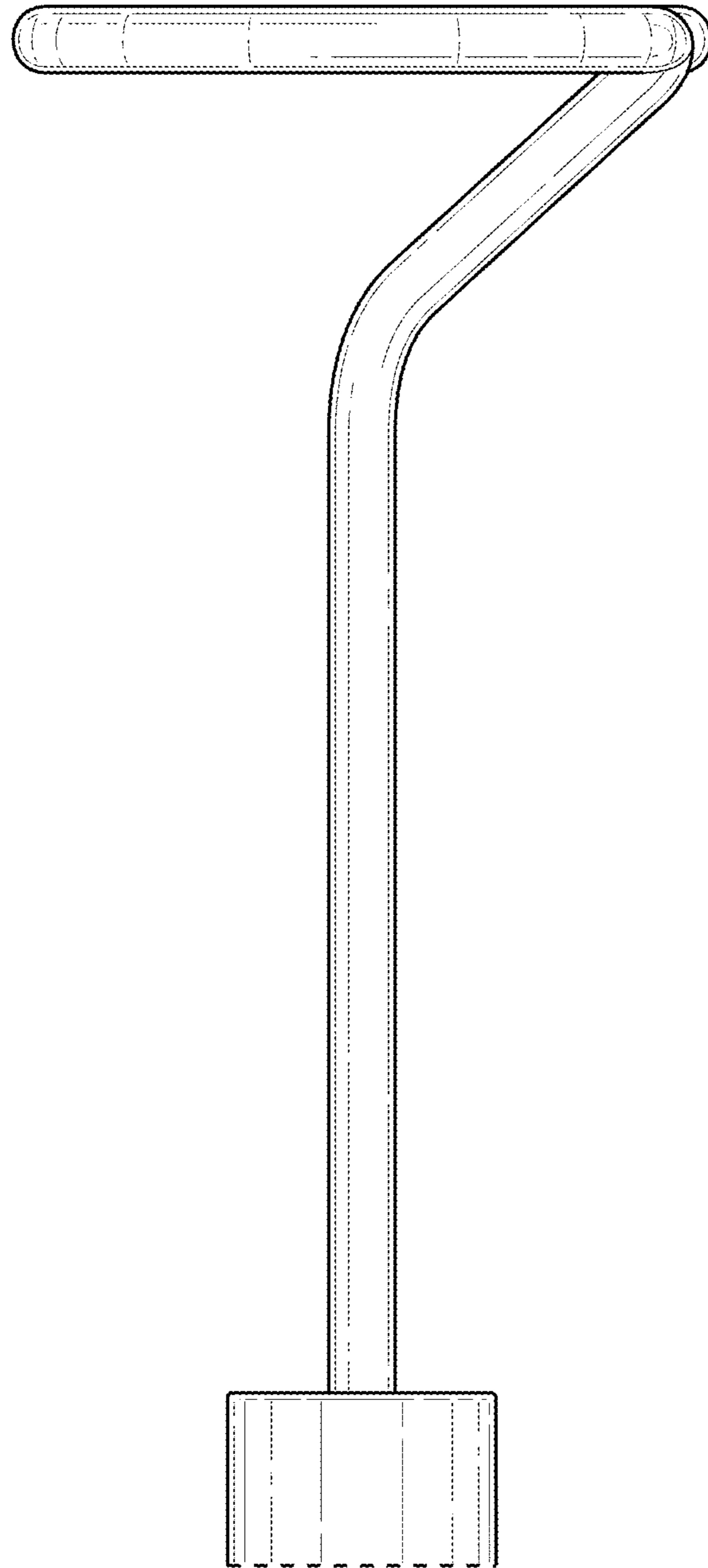
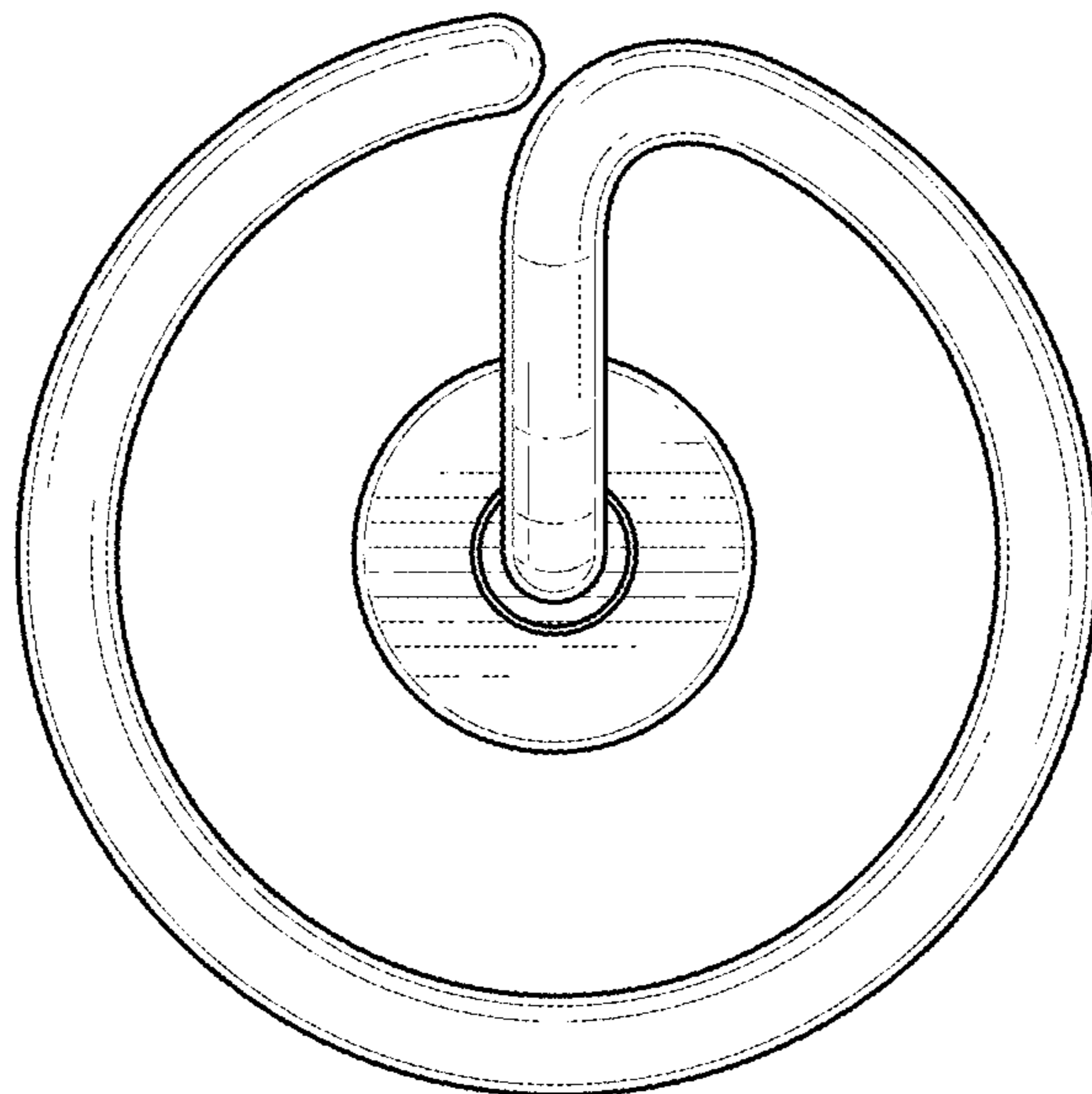


FIG. 4

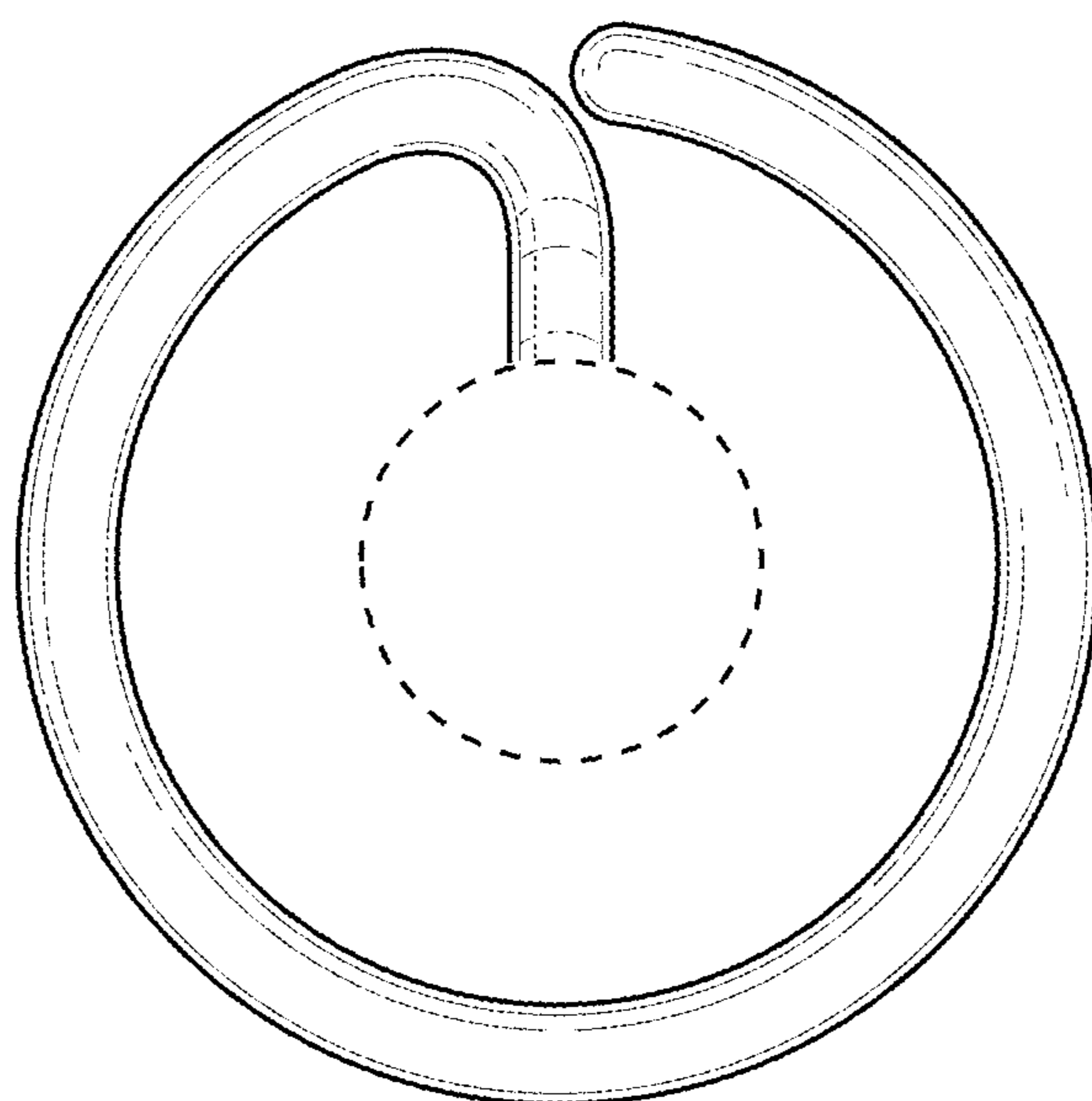


**FIG. 5**





**FIG. 6**



**FIG. 7**



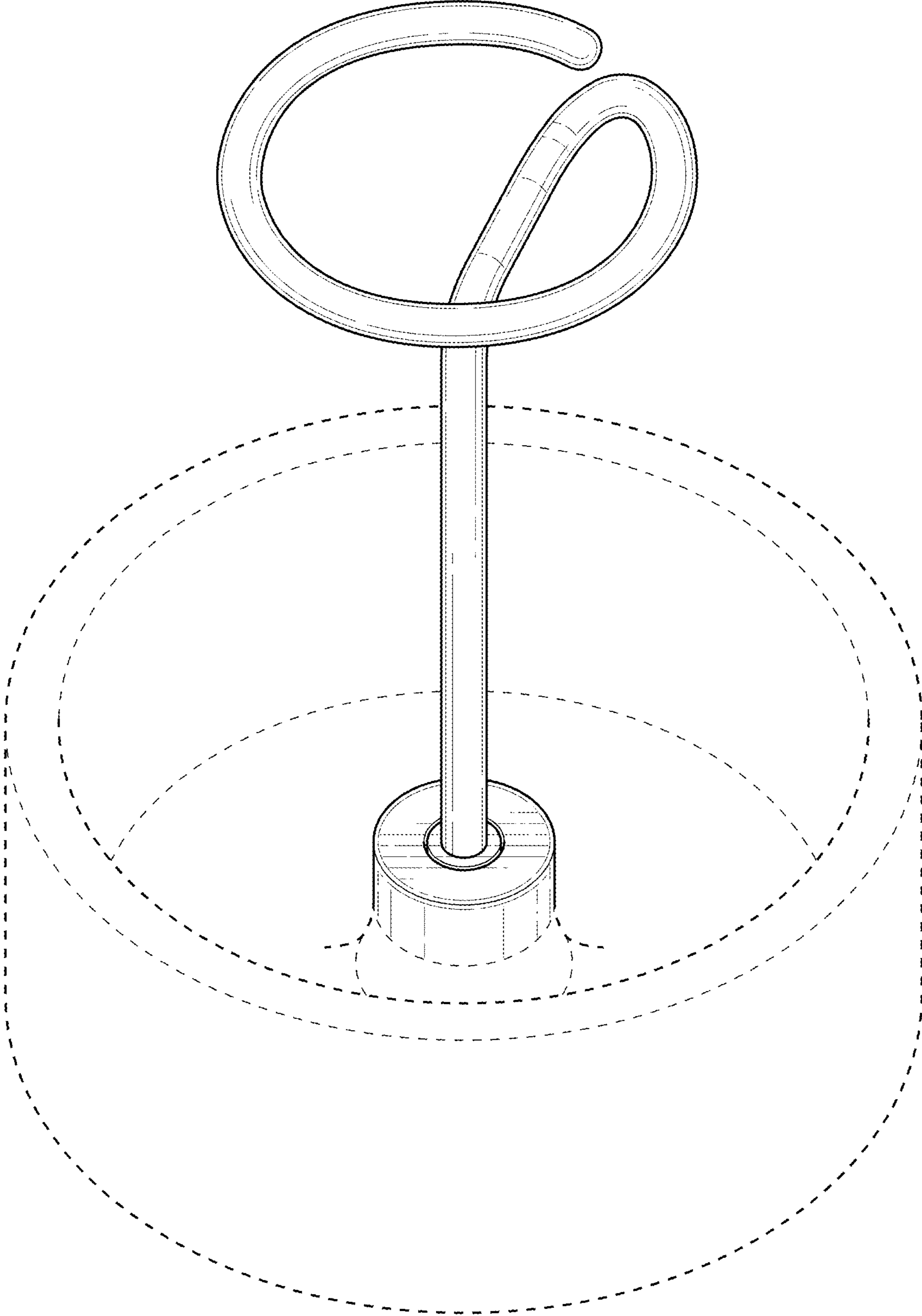


FIG. 8