



US00D910478S

(12) **United States Design Patent**
DeLuca

(10) **Patent No.:** **US D910,478 S**

(45) **Date of Patent:** **** Feb. 16, 2021**

(54) **RING PROTECTOR**

(71) Applicant: **Emily DeLuca**, New York, NY (US)

(72) Inventor: **Emily DeLuca**, New York, NY (US)

(**) Term: **15 Years**

(21) Appl. No.: **29/627,118**

(22) Filed: **Nov. 22, 2017**

(51) **LOC (13) Cl.** **11-01**

(52) **U.S. Cl.**

USPC **D11/26; D29/114**

(58) **Field of Classification Search**

USPC D11/1-25, 26-39, 91, 92, 86, 87;
D29/113, 114

CPC A44C 5/00; A44C 5/0007; A44C 5/0014;
A44C 5/0023; A44C 5/003; A44C
5/0038; A44C 5/0046; A44C 5/0053;
A44C 5/0061; A44C 5/0069; A44C
5/0076; A44C 5/0084; A44C 5/0092;
A44C 5/02; A44C 5/022; A44C 5/025;
A44C 5/027; A44C 9/00; A44C 9/0007;
A44C 9/0015; A44C 9/0023; A44C
9/003; A44C 9/0038; A44C 9/0046; A44C
9/0053; A44C 9/0061; A44C 9/0069;
A44C 9/0076; A44C 9/0084; A44C
9/0092; A44C 9/02; A44C 17/02; A44C
17/0208; A44C 17/0215; A44C 17/0225;
A44C 17/0233; A44C 17/0241; A44C
17/025; A44C 17/0258; A44C 17/0266;
A44C 17/0275; A44C 17/0283; A44C
17/0291

See application file for complete search history.

(56) **References Cited**

U.S. PATENT DOCUMENTS

D181,851 S * 1/1958 Hendrickson D7/620
D377,769 S 2/1997 Roemer

D454,765 S * 3/2002 Jansson D11/26
D504,635 S * 5/2005 Jones D11/26
D523,769 S * 6/2006 Arlanda D11/26
D523,770 S * 6/2006 Arlanda D11/26
D553,804 S * 10/2007 Kaposi D11/26
D626,435 S 11/2010 Tanaka et al.
D635,422 S * 4/2011 Wegener D8/34
D652,275 S * 1/2012 Wegener D8/34
D702,402 S * 4/2014 Pew D29/113
9,232,838 B2 1/2016 Haight
D761,149 S 7/2016 Gruber-Matejovsky
D869,775 S * 12/2019 Voosen D29/114

OTHER PUBLICATIONS

[online] "Buffr" <https://www.mybuffr.com/products/buffr>. Retrieved Oct. 23, 2020.*

* cited by examiner

Primary Examiner — Melanie Pellegrini
(74) *Attorney, Agent, or Firm* — Carmody Torrance
Sandak & Hennessey LLP

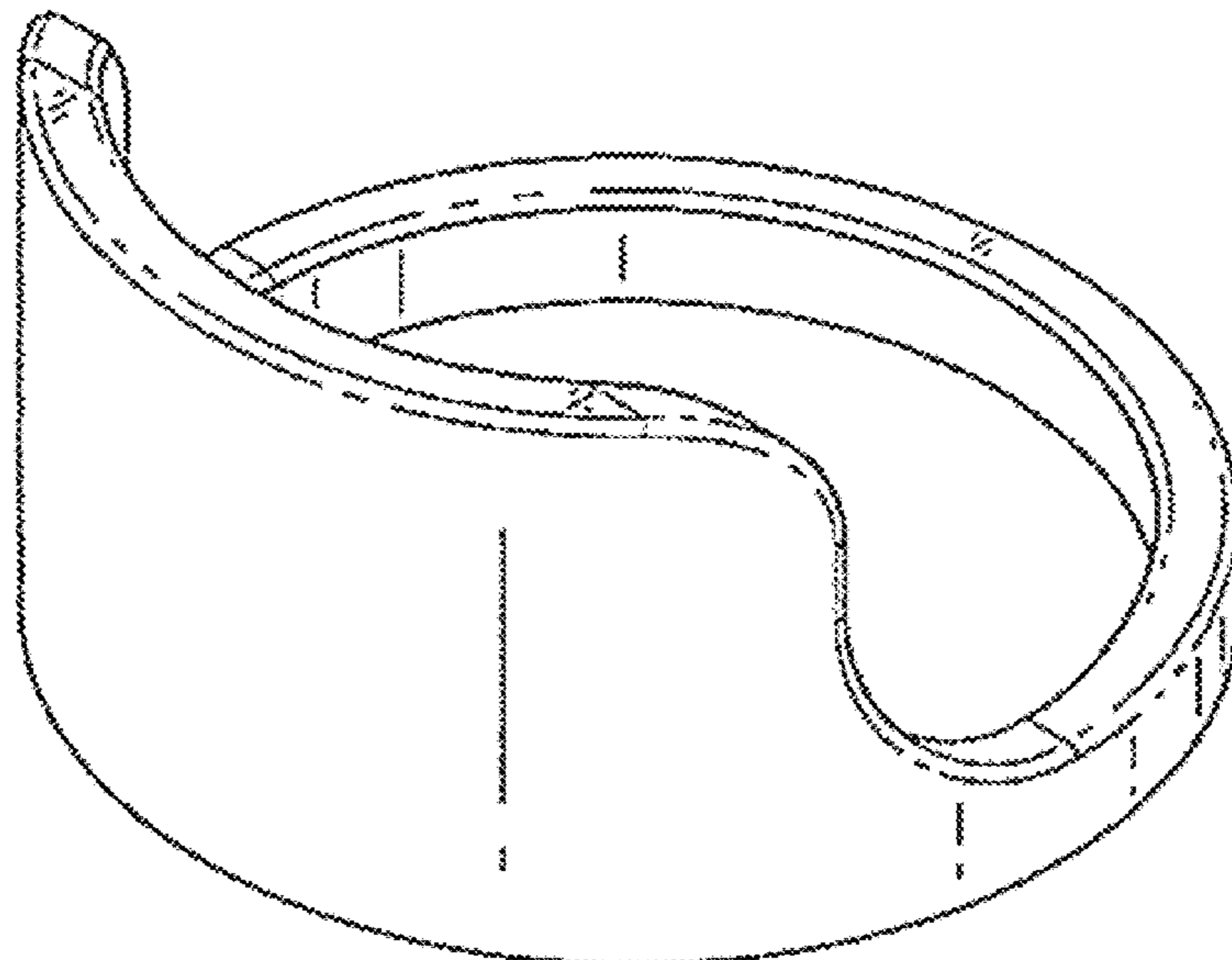
(57) **CLAIM**

The ornamental design for a ring protector, as shown and described.

DESCRIPTION

FIG. 1 is a perspective view of the ring protector showing my new design;
FIG. 2 is a first end view thereof;
FIG. 3 is a second end view thereof;
FIG. 4 is a first side view thereof, with the second side view being a mirror image thereof;
FIG. 5 is a bottom view thereof; and,
FIG. 6 is a top view thereof.

1 Claim, 1 Drawing Sheet



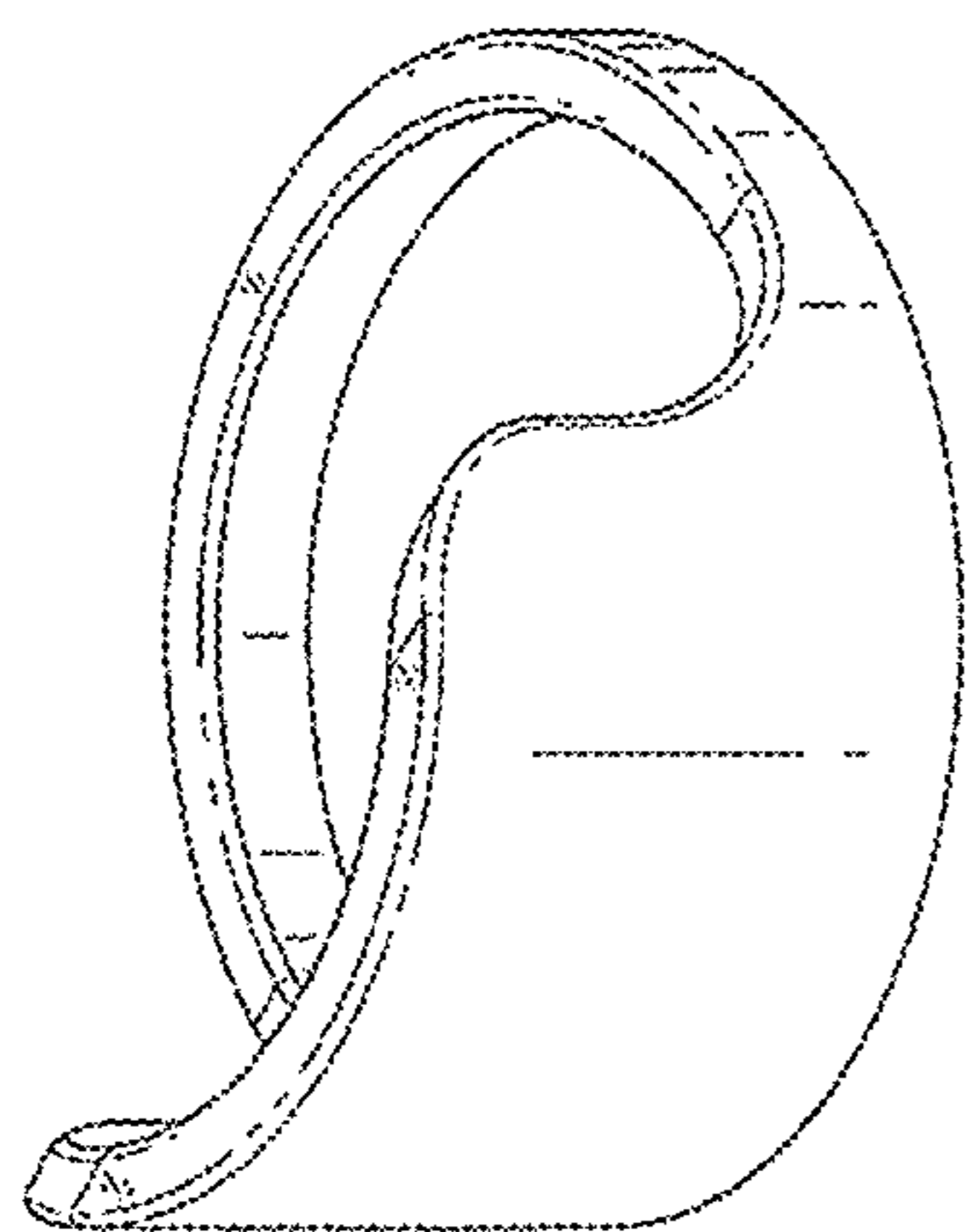


FIG. 1

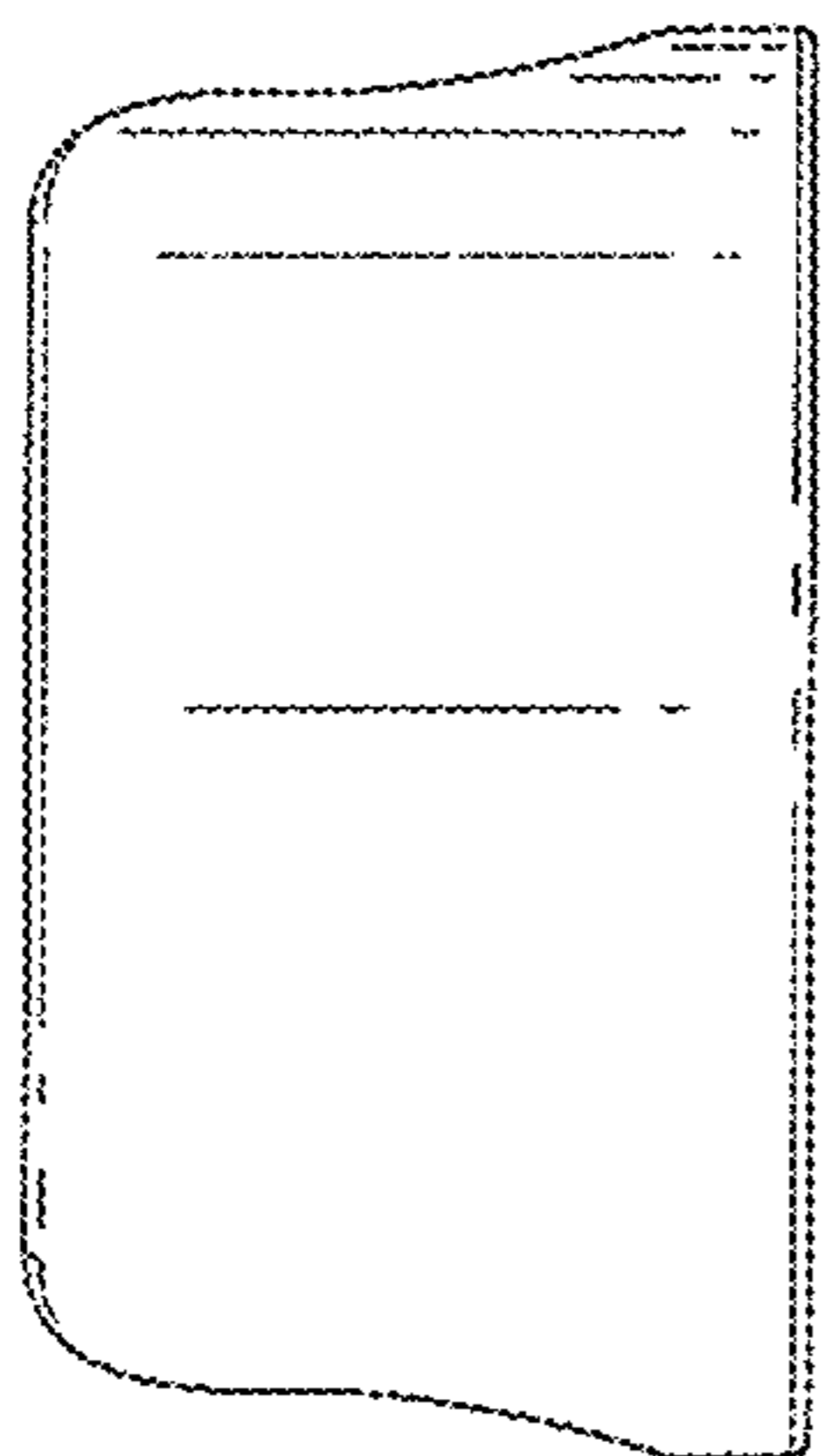


FIG. 2

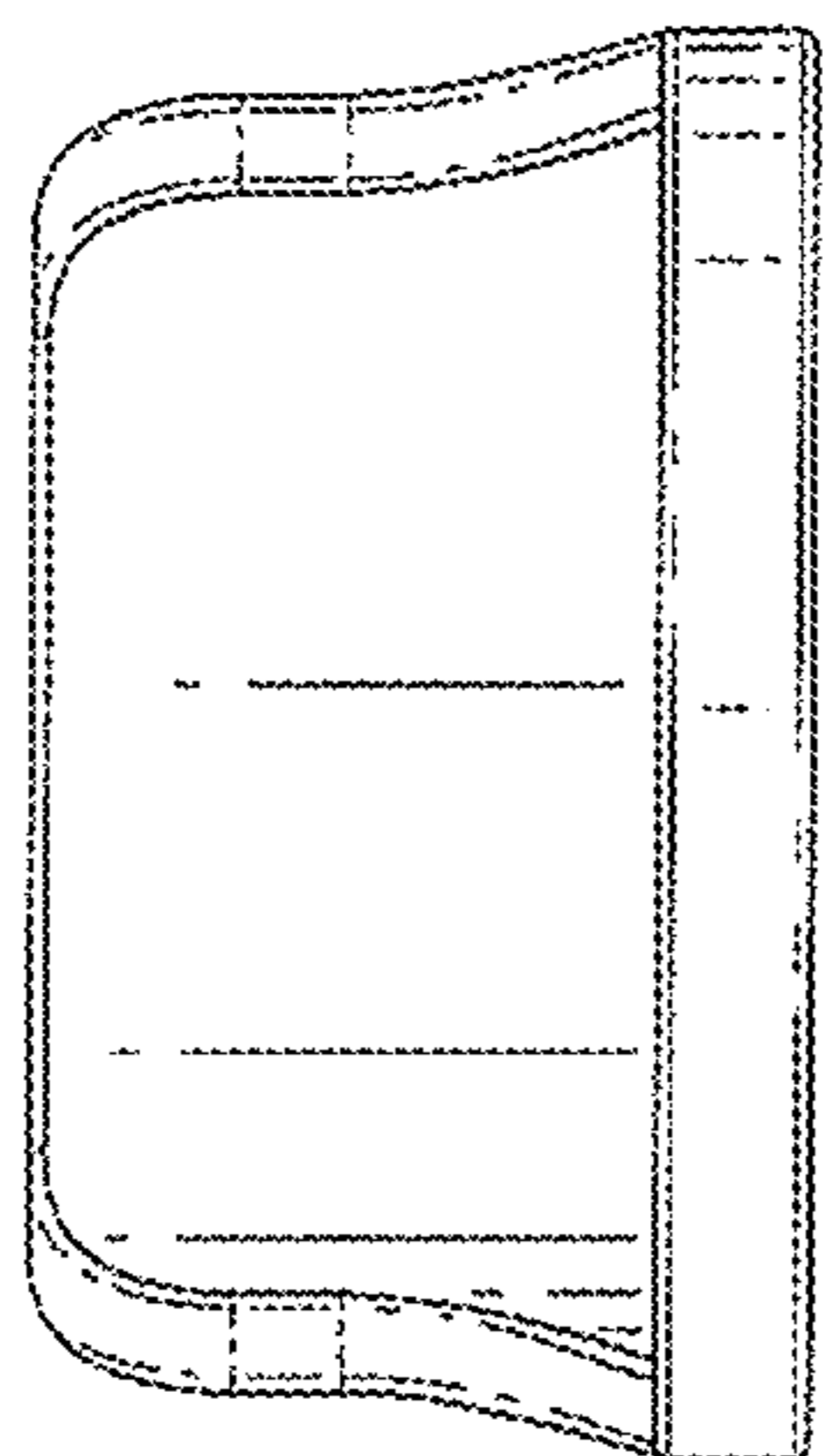


FIG. 3

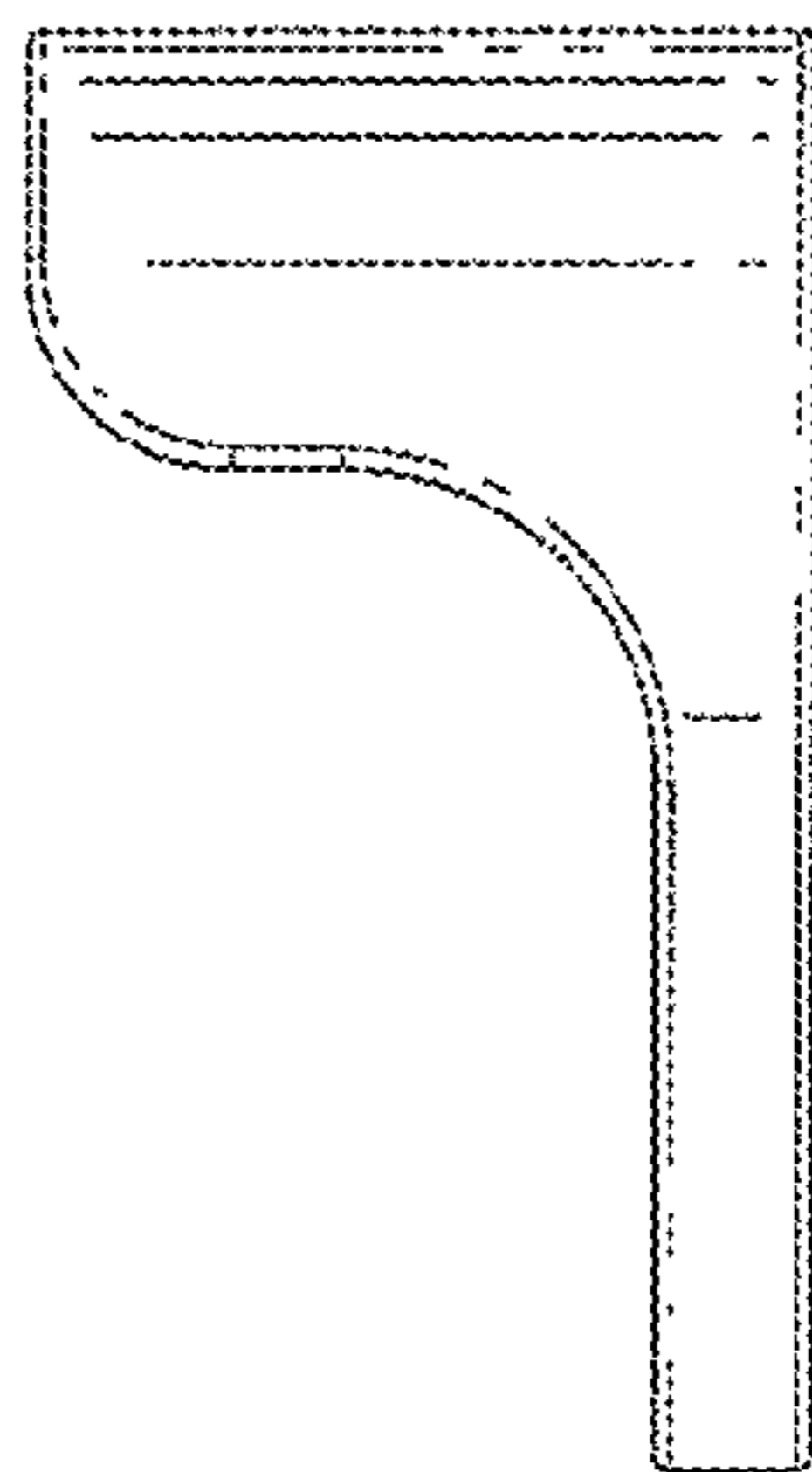


FIG. 4

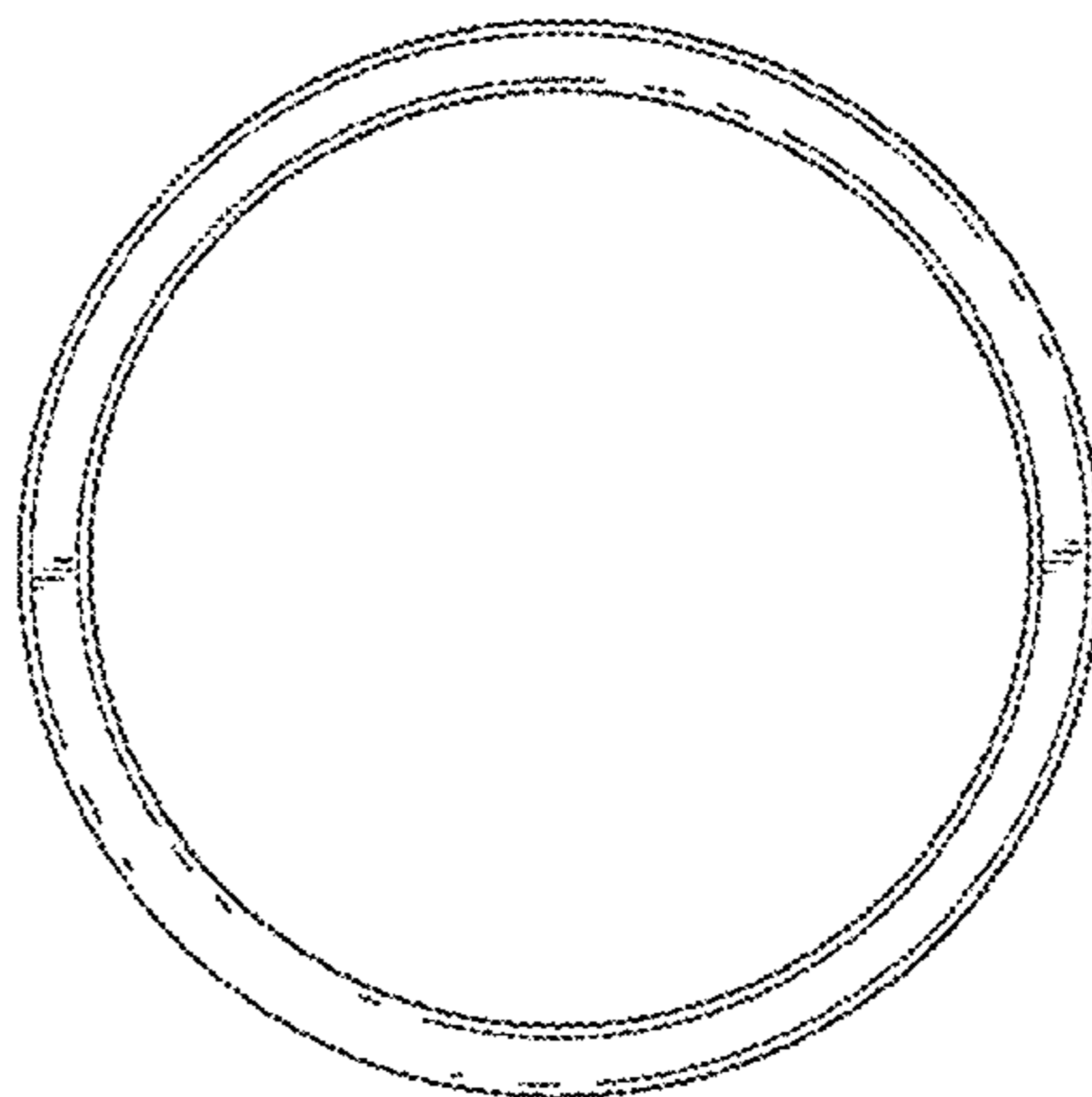


FIG. 5

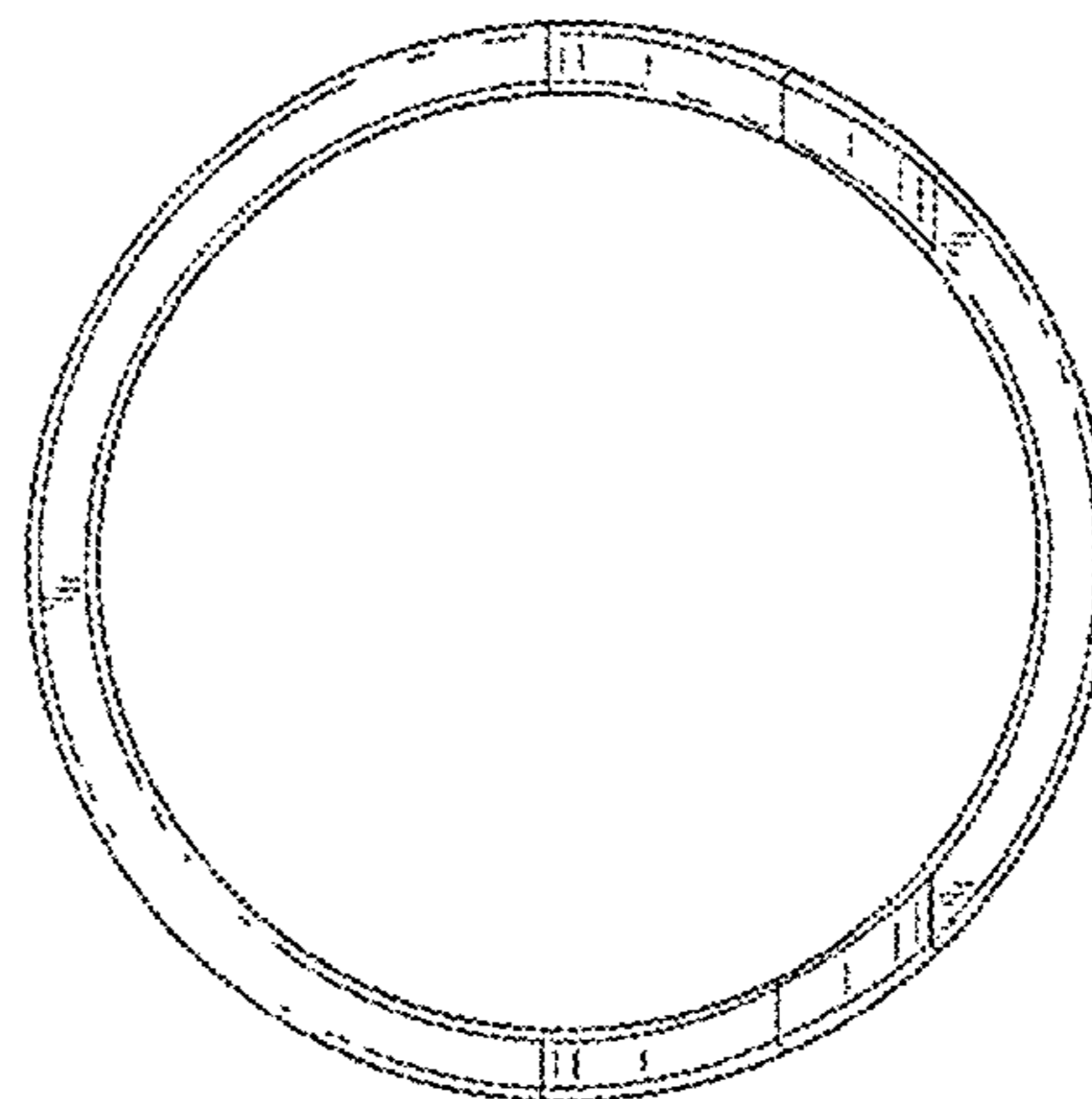


FIG. 6