



US00D910472S

(12) **United States Design Patent** (10) **Patent No.:** **US D910,472 S**
Xu (45) **Date of Patent:** **** Feb. 16, 2021**

(54) **WIND CHIME** 5,452,638 A * 9/1995 Yancy G10K 1/072
116/141
(71) Applicant: **QUANJIAO YIMAIKE** D551,108 S 9/2007 Gerardis
E-COMMERCE LLC., Chuzhou (CN) 9,024,161 B1 * 5/2015 Strong G10K 1/26
84/403
(72) Inventor: **Yifan Xu,** Nanjing (CN) D799,357 S 10/2017 Friess
10,062,365 B2 * 8/2018 Finigan F21V 23/0471
(73) Assignee: **QUANJIAO YIMAIKE** 10,847,132 B1 * 11/2020 Miller G10D 13/08
E-COMMERCE LLC., Chuzhou (CN) * cited by examiner

(**) Term: **15 Years**

Primary Examiner — George D. Kirschbaum

(21) Appl. No.: **29/745,603**

(57) **CLAIM**

The ornamental design for a wind chime, as shown and described.

(22) Filed: **Aug. 7, 2020**

(51) **LOC (13) Cl.** **10-05**

(52) **U.S. Cl.**
USPC **D10/116.1**

(58) **Field of Classification Search**
USPC D10/116.1
CPC G10K 1/066; G10K 1/26; G10K 1/072;
G10D 13/08; F21V 23/0471
See application file for complete search history.

DESCRIPTION

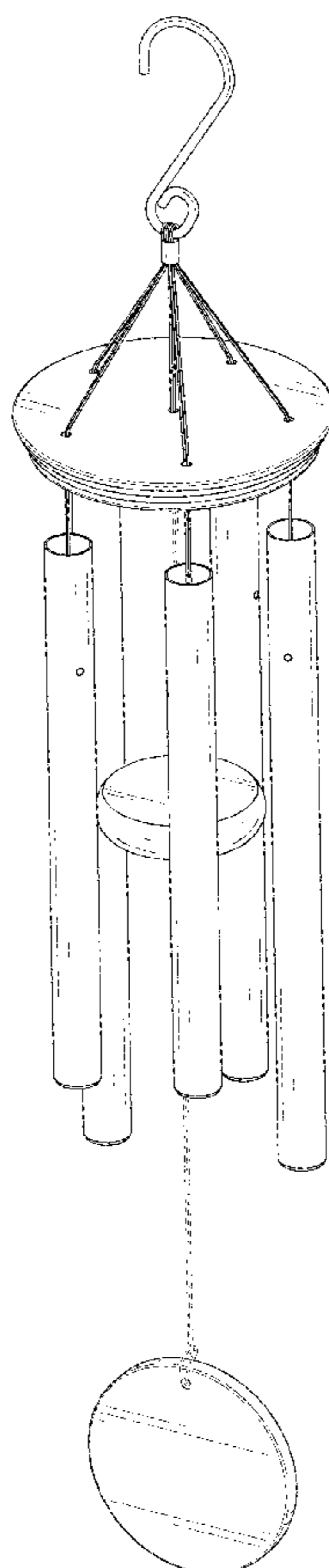
FIG. 1 is a perspective view of a wind chime showing my new design;
FIG. 2 is another perspective view thereof;
FIG. 3 is a front elevational view thereof;
FIG. 4 is a rear elevational view thereof;
FIG. 5 is a left side elevational view thereof;
FIG. 6 is a right side elevational view thereof;
FIG. 7 is a top plan view thereof; and,
FIG. 8 is a bottom plan view thereof.
The broken lines in the drawings depict portions of the wind chime that form no part of the claimed design.

(56) **References Cited**

U.S. PATENT DOCUMENTS

D250,455 S * 12/1978 Mohrhauser D10/116.1
4,854,214 A * 8/1989 Lowe G10K 1/066
84/404

1 Claim, 8 Drawing Sheets



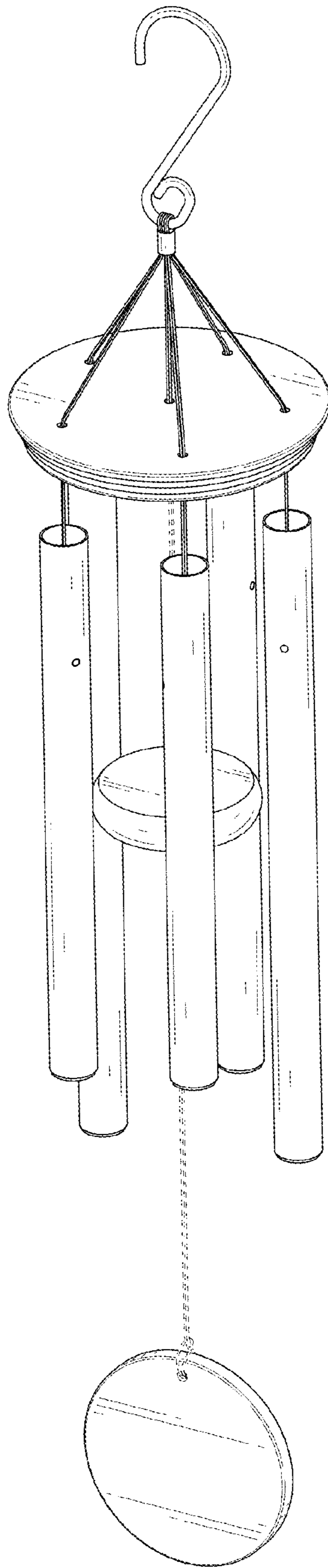


FIG. 1

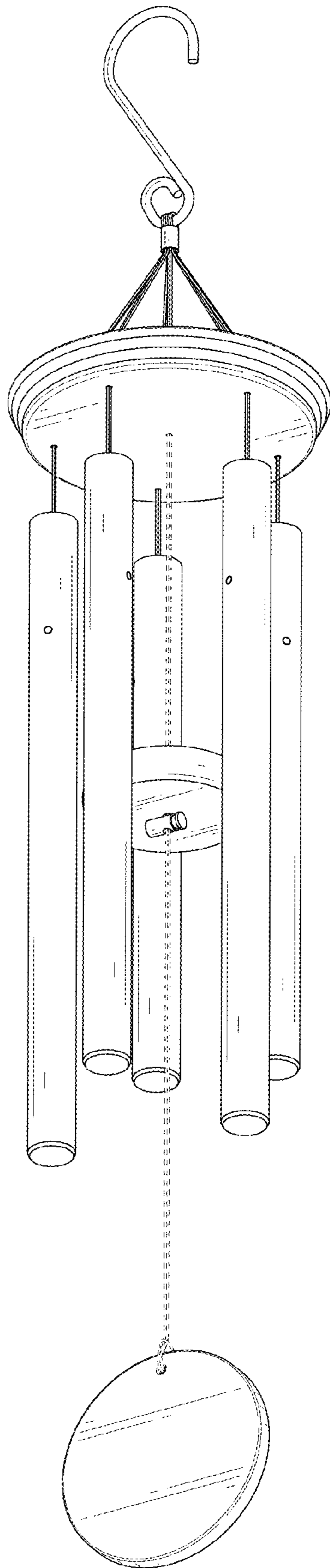


FIG. 2

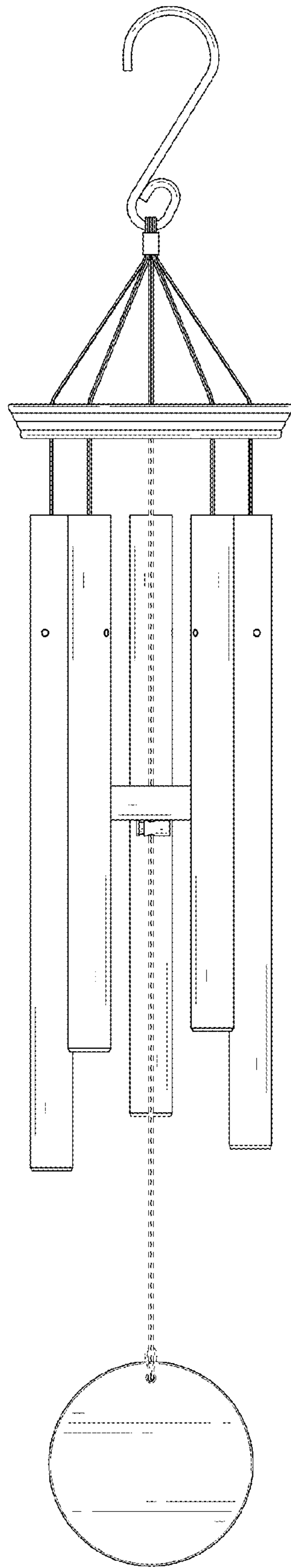


FIG. 3

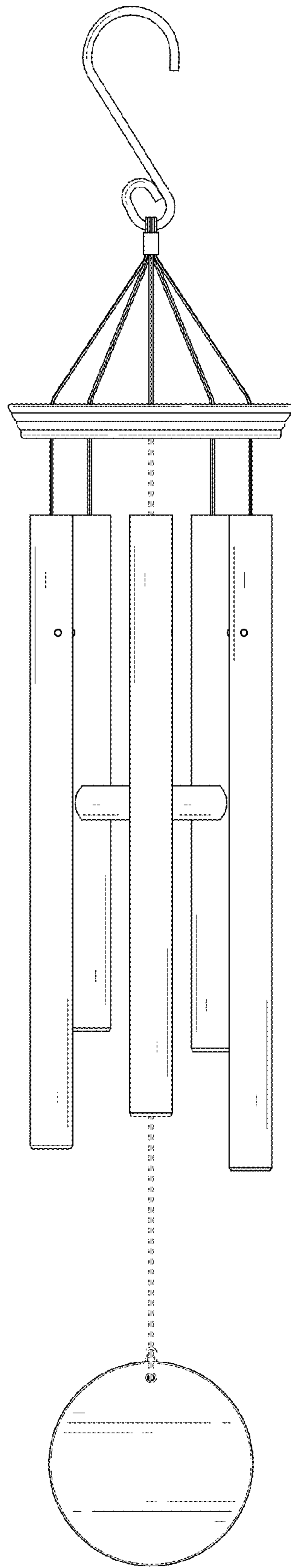


FIG. 4

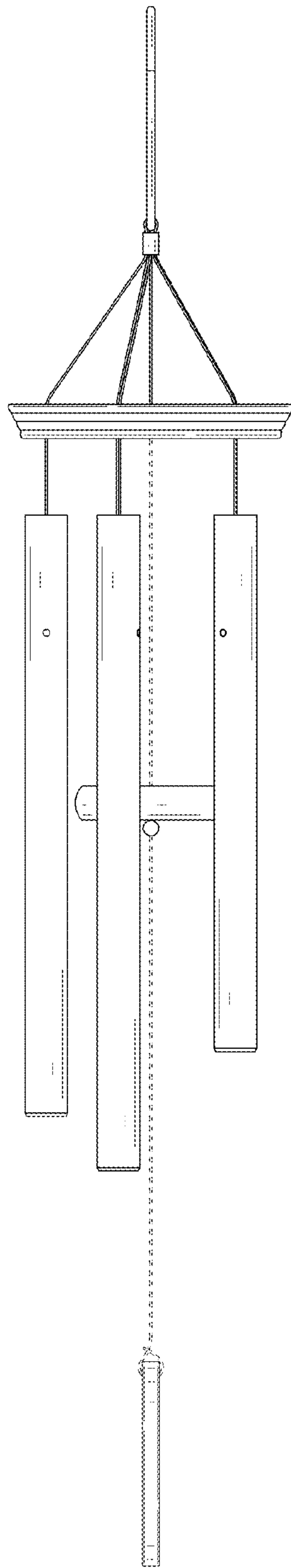


FIG. 5

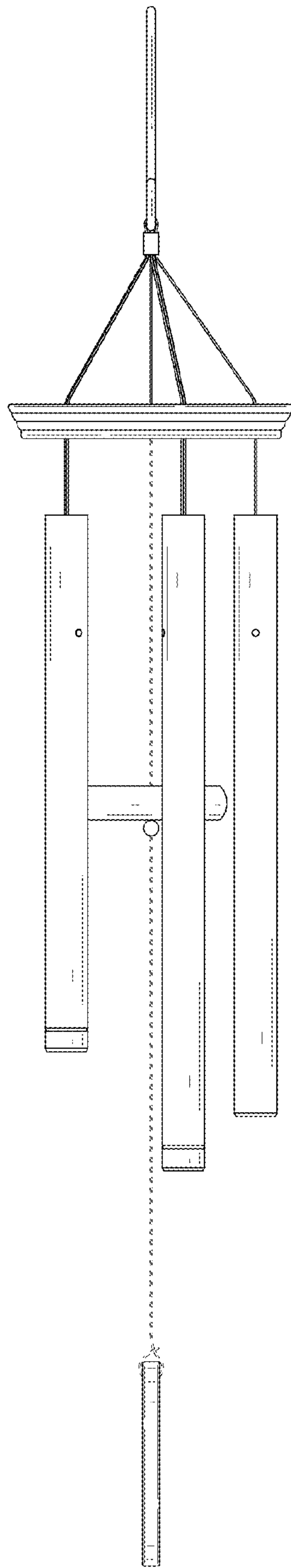


FIG. 6

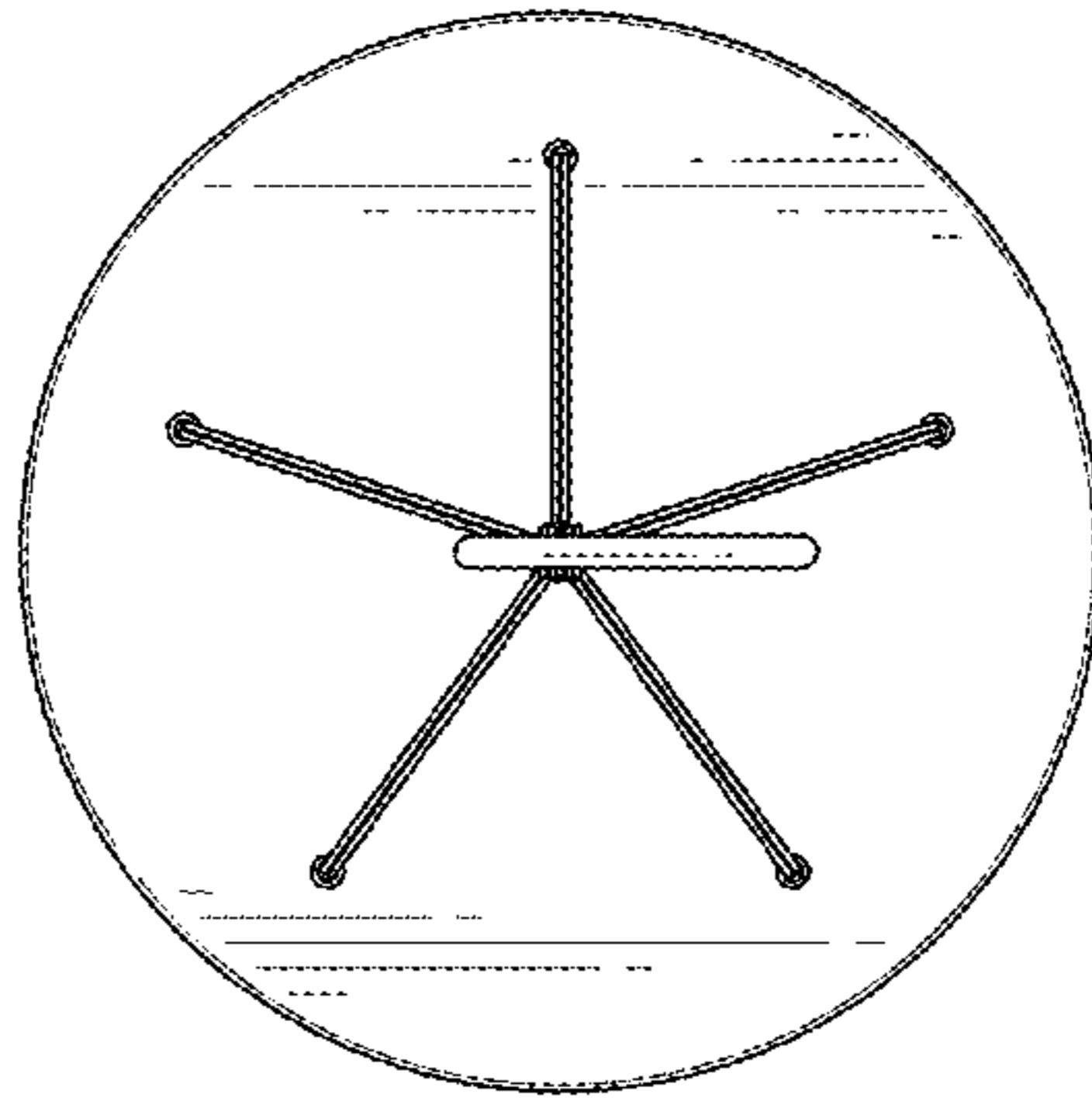


FIG. 7

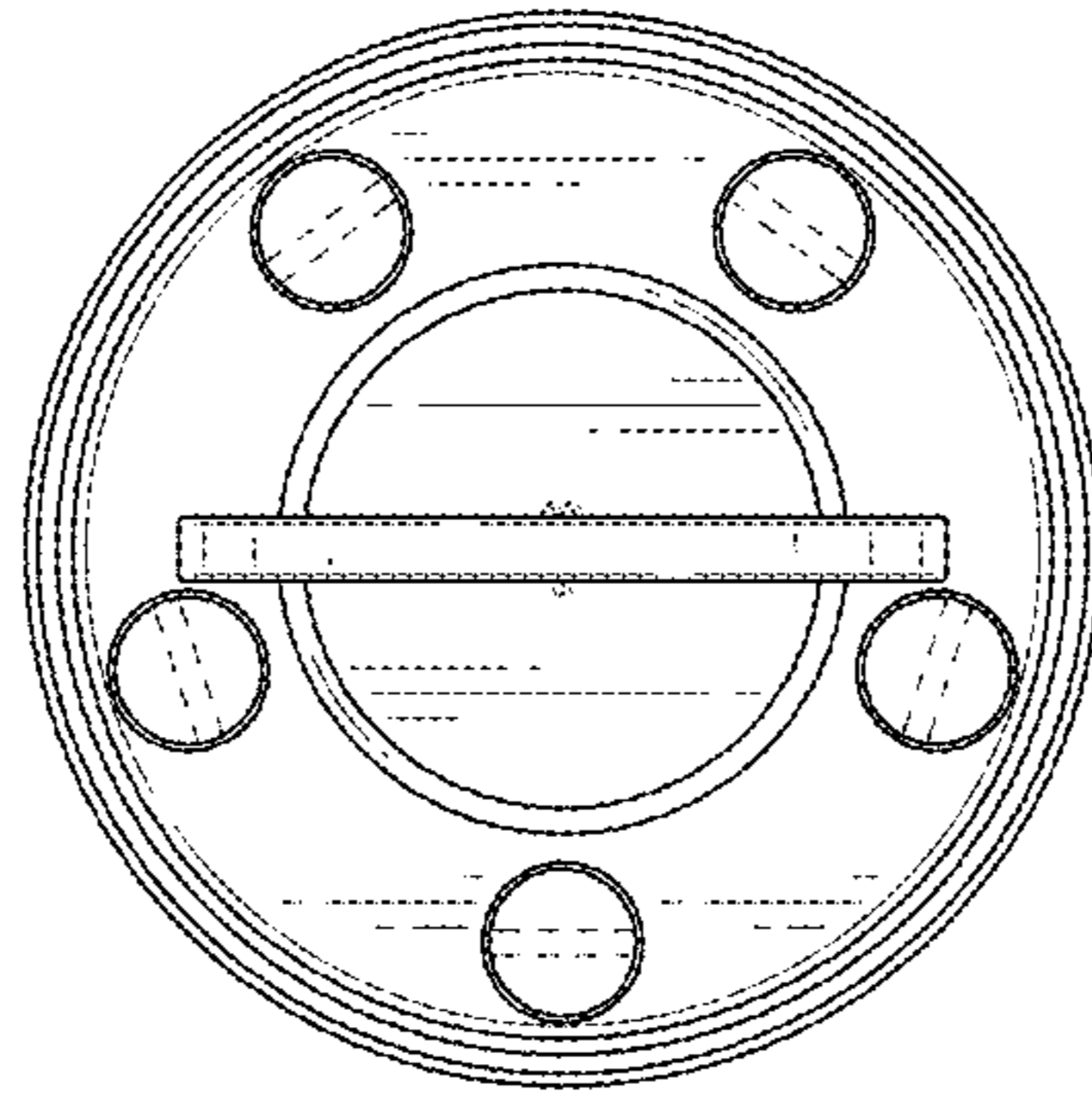


FIG. 8