



US00D910471S

(12) **United States Design Patent** (10) **Patent No.:** **US D910,471 S**
Yokino et al. (45) **Date of Patent:** **** Feb. 16, 2021**

(54) **SPECTROMETER**

- (71) Applicant: **HAMAMATSU PHOTONICS K.K.**,
Hamamatsu (JP)
- (72) Inventors: **Takafumi Yokino**, Hamamatsu (JP);
Katsumi Shibayama, Hamamatsu (JP);
Katsuhiko Kato, Hamamatsu (JP)
- (73) Assignee: **HAMAMATSU PHOTONICS K.K.**,
Hamamatsu (JP)
- (**) Term: **15 Years**
- (21) Appl. No.: **29/705,031**
- (22) Filed: **Sep. 9, 2019**

Related U.S. Application Data

- (60) Division of application No. 29/627,946, filed on Nov. 30, 2017, now Pat. No. Des. 880,323, which is a continuation of application No. 35/501,554, filed on Mar. 15, 2016 (U.S. filing date under 35 U.S.C. 384), and having an international filing date of Mar. 15, 2016, now Pat. No. Des. 812,502.
- (51) **LOC (13) Cl.** **10-04**
- (52) **U.S. Cl.**
USPC **D10/81**
- (58) **Field of Classification Search**
USPC D10/47, 81, 104.1, 158; D13/159, 160
CPC G01B 1/00; G01J 3/0256; G01N 21/67
See application file for complete search history.

(56) **References Cited**

U.S. PATENT DOCUMENTS

4,687,329 A	8/1987	Schultz
5,166,755 A	11/1992	Gat
D347,396 S	5/1994	Ohnuma et al.
D557,156 S	12/2007	Kon

(Continued)

OTHER PUBLICATIONS

Office Action dated Sep. 13, 2019 in U.S. Appl. No. 29/635,668.
Notice of Allowance dated Jan. 7, 2020 in U.S. Appl. No. 29/710,159.

Primary Examiner — Michael C Stout
Assistant Examiner — Fritzgerald L Butac
(74) *Attorney, Agent, or Firm* — Faegre Drinker Biddle & Reath LLP

(57) **CLAIM**

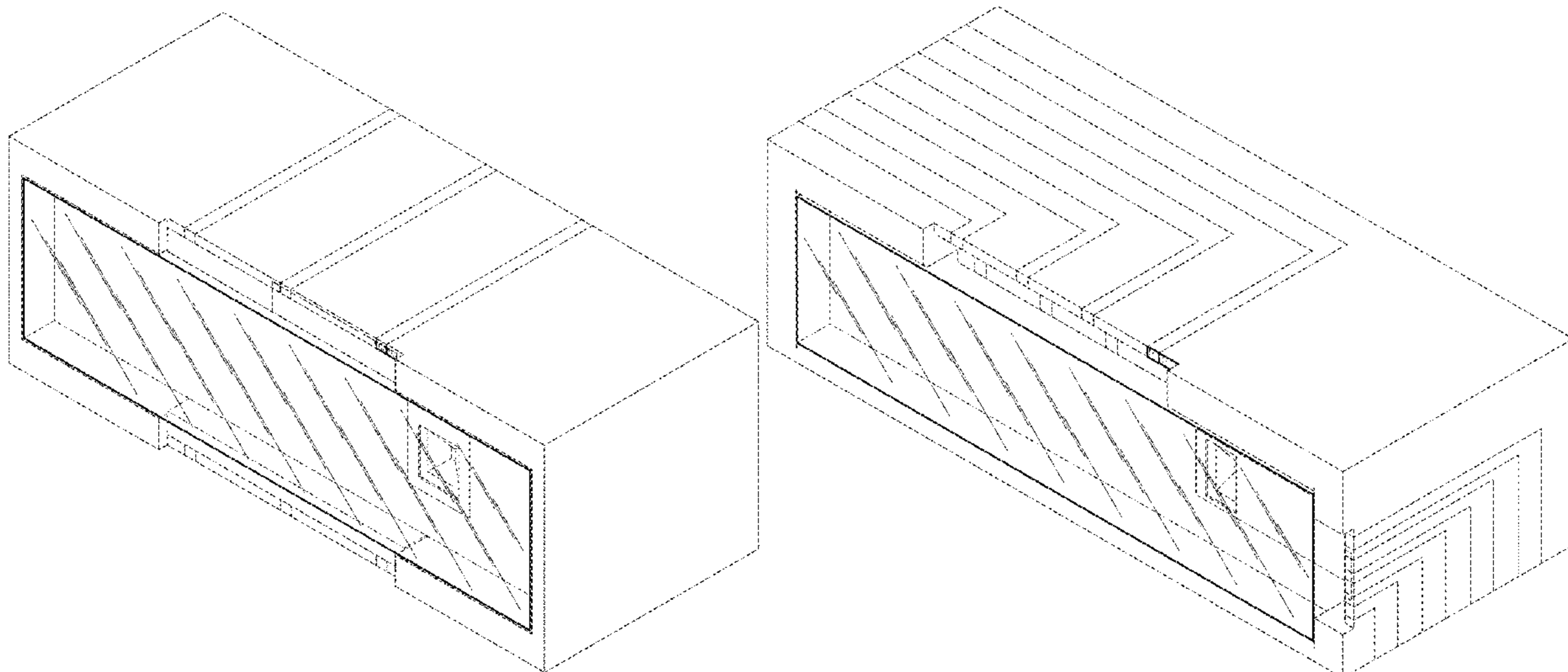
The ornamental design for a spectrometer, as shown and described.

DESCRIPTION

FIG. 1 is a perspective view of the first embodiment of a spectrometer;
 FIG. 2 is a front view of the spectrometer of FIG. 1;
 FIG. 3 is a back view of the spectrometer of FIG. 1;
 FIG. 4 is a top view of the spectrometer of FIG. 1;
 FIG. 5 is a bottom view of the spectrometer of FIG. 1;
 FIG. 6 is a left view of the spectrometer of FIG. 1;
 FIG. 7 is a right view of the spectrometer of FIG. 1;
 FIG. 8 is a sectional view taken along the line 8-8 of the spectrometer of FIG. 2;
 FIG. 9 is a sectional view taken along the line 9-9 of the spectrometer of FIG. 2;
 FIG. 10 is a perspective view of the second embodiment of a spectrometer;
 FIG. 11 is a front view of the spectrometer of FIG. 10;
 FIG. 12 is a back view of the spectrometer of FIG. 10;
 FIG. 13 is a top view of the spectrometer of FIG. 10;
 FIG. 14 is a bottom view of the spectrometer of FIG. 10;
 FIG. 15 is a left view of the spectrometer of FIG. 10;
 FIG. 16 is a right view of the spectrometer of FIG. 10; and,
 FIG. 17 is a sectional view taken along the line 17-17 of the spectrometer of FIG. 11.

The broken lines show portions of a spectrometer that form no part of the claimed design.

1 Claim, 17 Drawing Sheets



(56)

References Cited

U.S. PATENT DOCUMENTS

D603,280	S	11/2009	Shibayama	
D603,729	S	11/2009	Shibayama	
D603,730	S	11/2009	Shibayama	
D603,731	S	11/2009	Shibayama	
D677,185	S	3/2013	Zhou et al.	
D711,265	S	8/2014	Antonczak	
8,812,070	B2	8/2014	Jossart et al.	
D748,510	S	2/2016	Zhou et al.	
D763,959	S	8/2016	Lee et al.	
D767,652	S	9/2016	Schonherr et al.	
D796,359	S	9/2017	White et al.	
D802,050	S	11/2017	Kawai et al.	
D805,934	S *	12/2017	Yokino	D10/81
D805,935	S	12/2017	Yokino et al.	
D805,936	S	12/2017	Yokino et al.	
D812,502	S	3/2018	Yokino et al.	
D821,902	S	7/2018	Hirose et al.	
D821,903	S	7/2018	Hirose et al.	
D825,361	S	8/2018	Hirose et al.	
D829,116	S	9/2018	Hirose et al.	
D829,117	S	9/2018	Hirose et al.	
D829,577	S	10/2018	Hirose et al.	
D829,579	S	10/2018	Hirose et al.	
D829,581	S	10/2018	Hirose et al.	
D839,116	S *	1/2019	Hirose	D10/81
D839,117	S *	1/2019	Hirose	D10/81

* cited by examiner

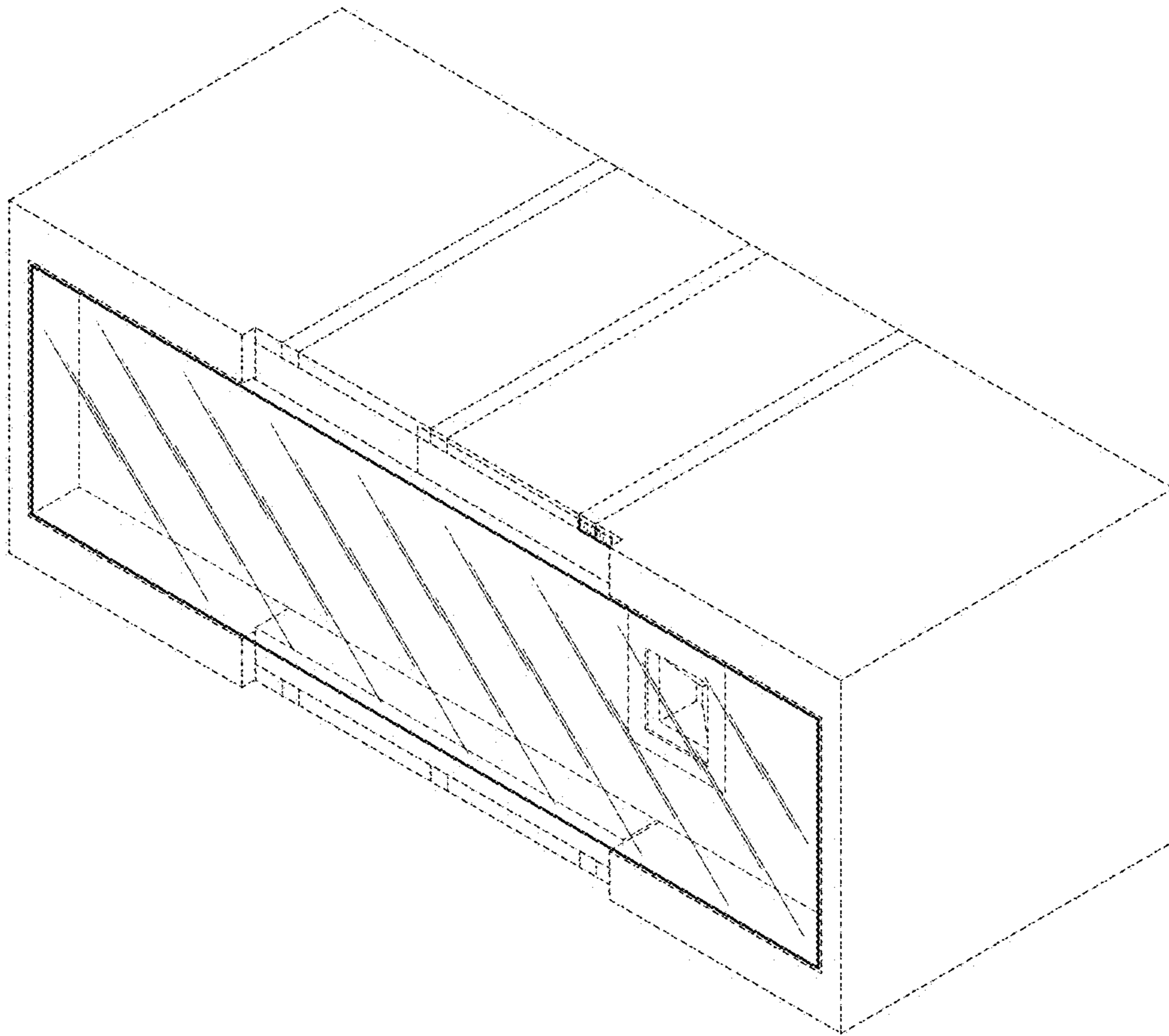


FIG. 1

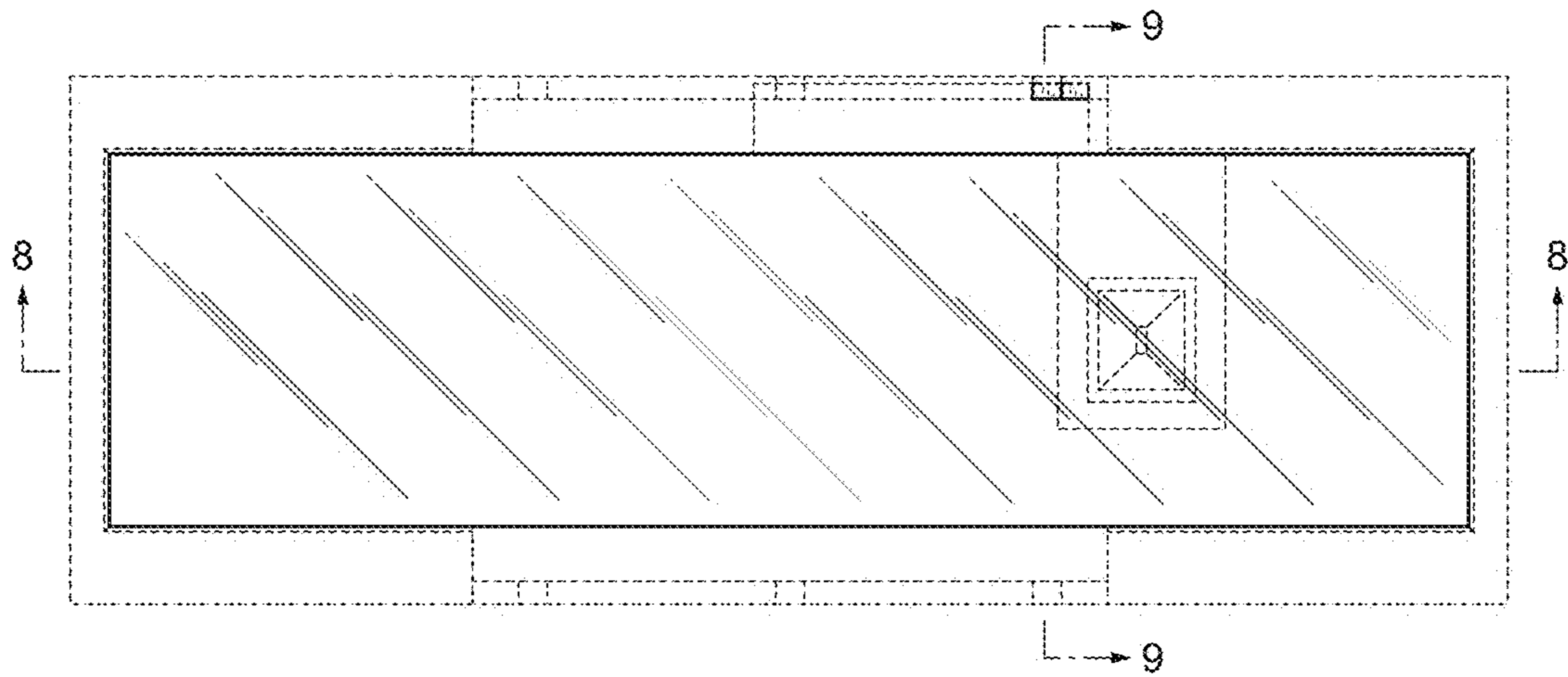


FIG. 2

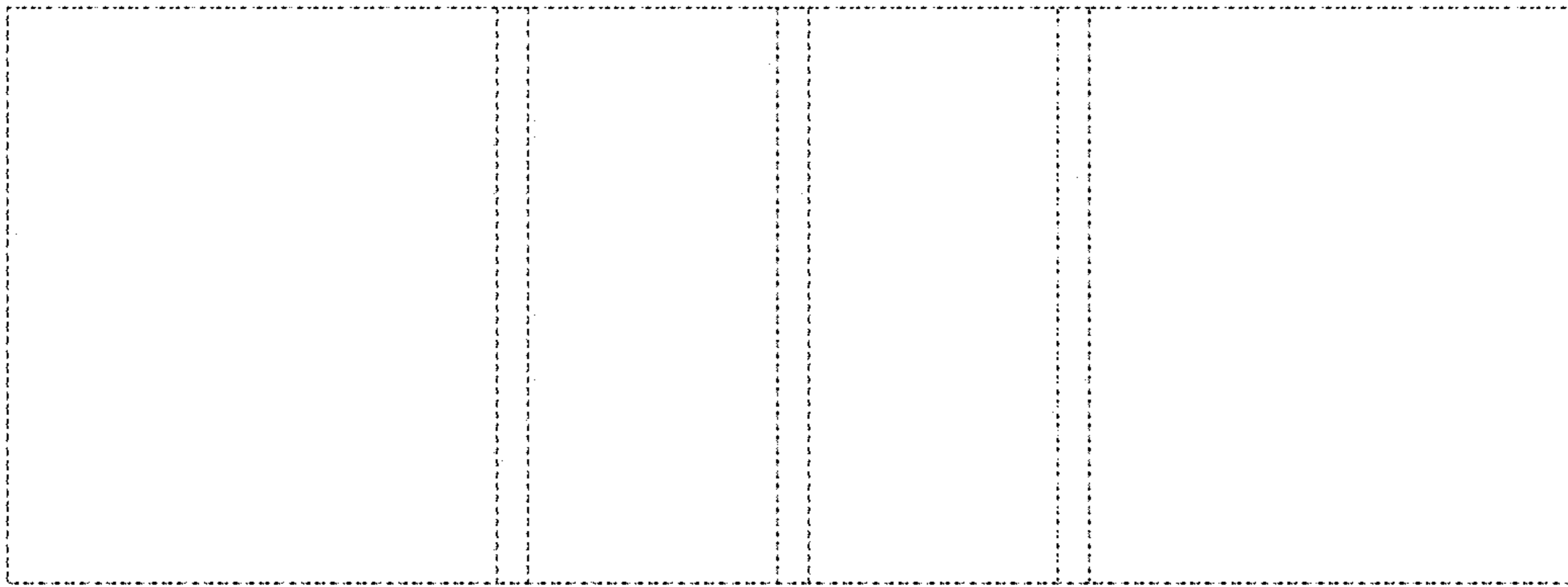


FIG. 3

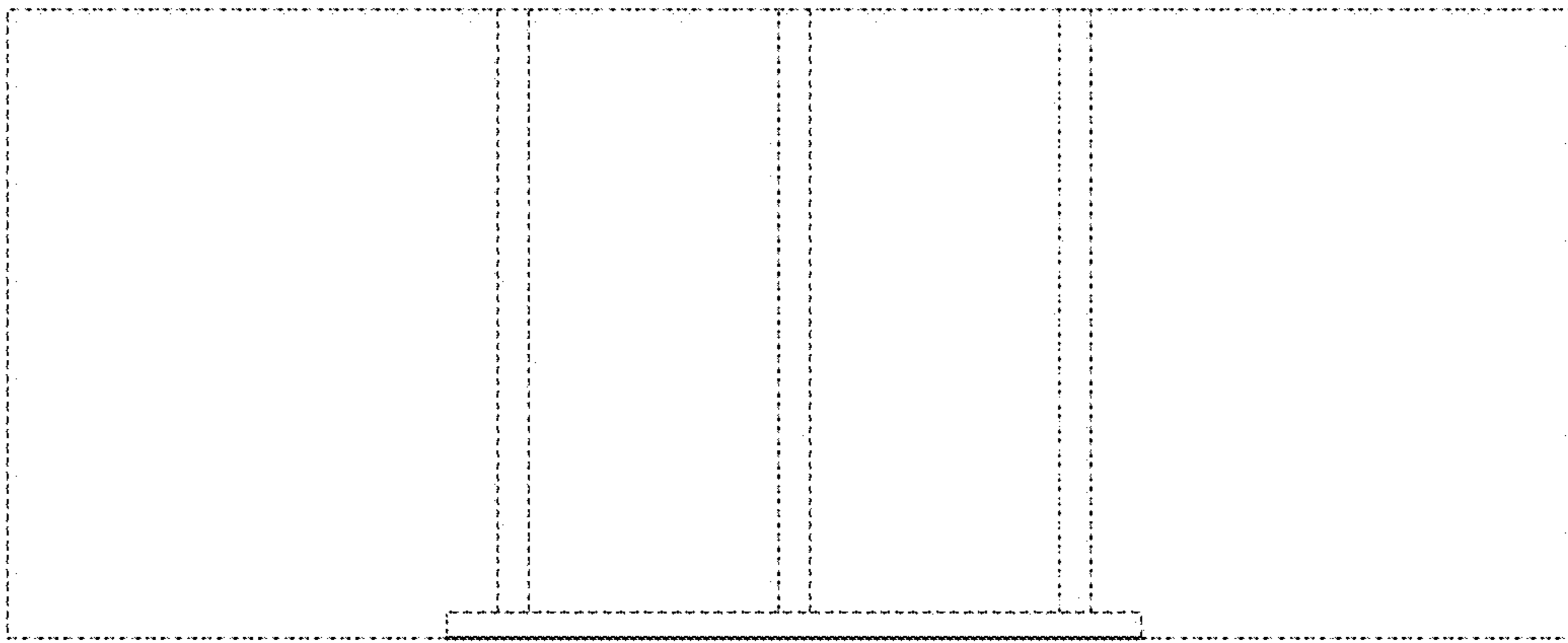


FIG. 4

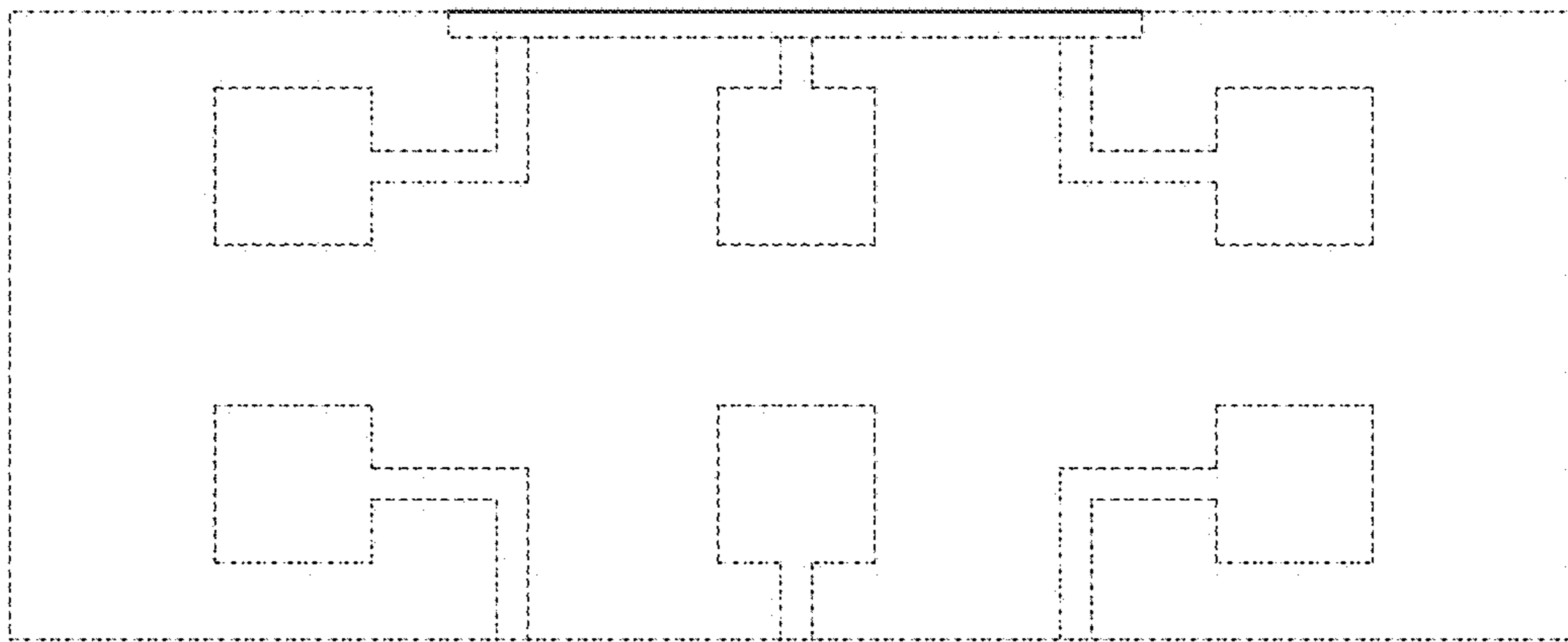


FIG. 5



FIG. 6



FIG. 7

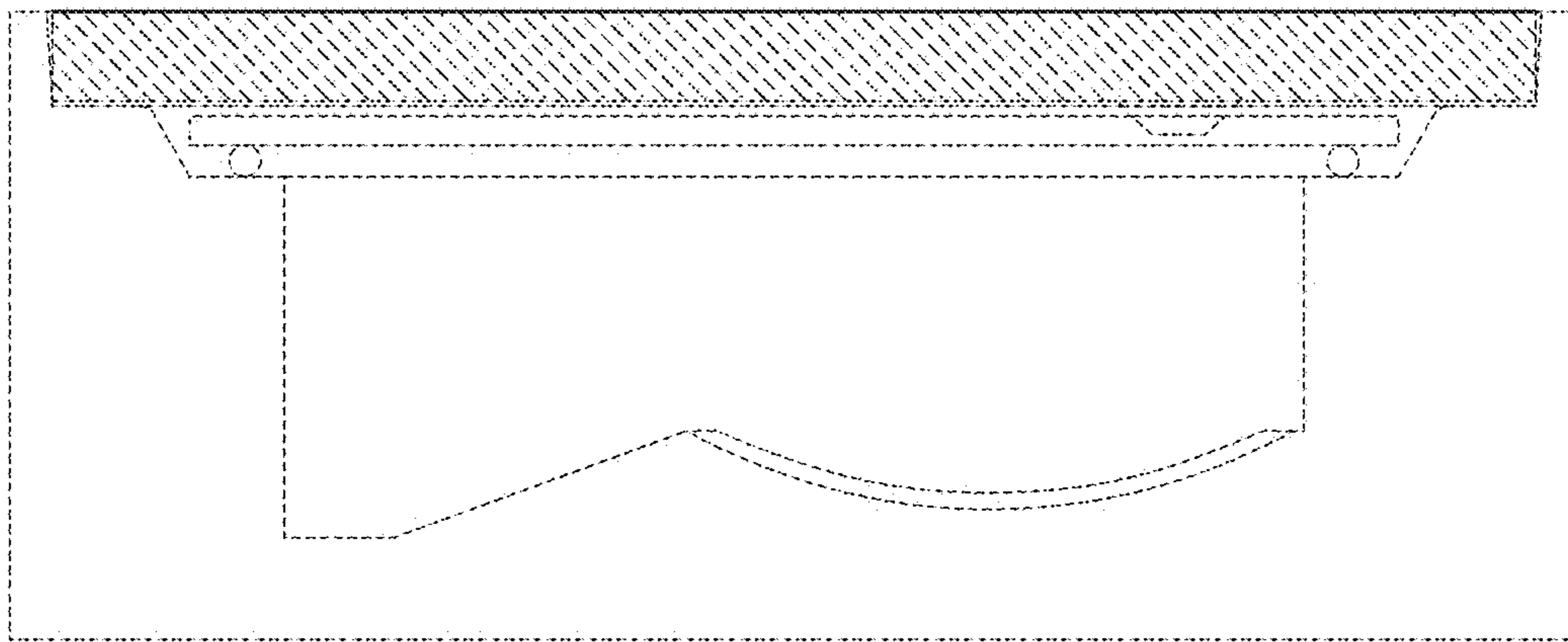


FIG. 8

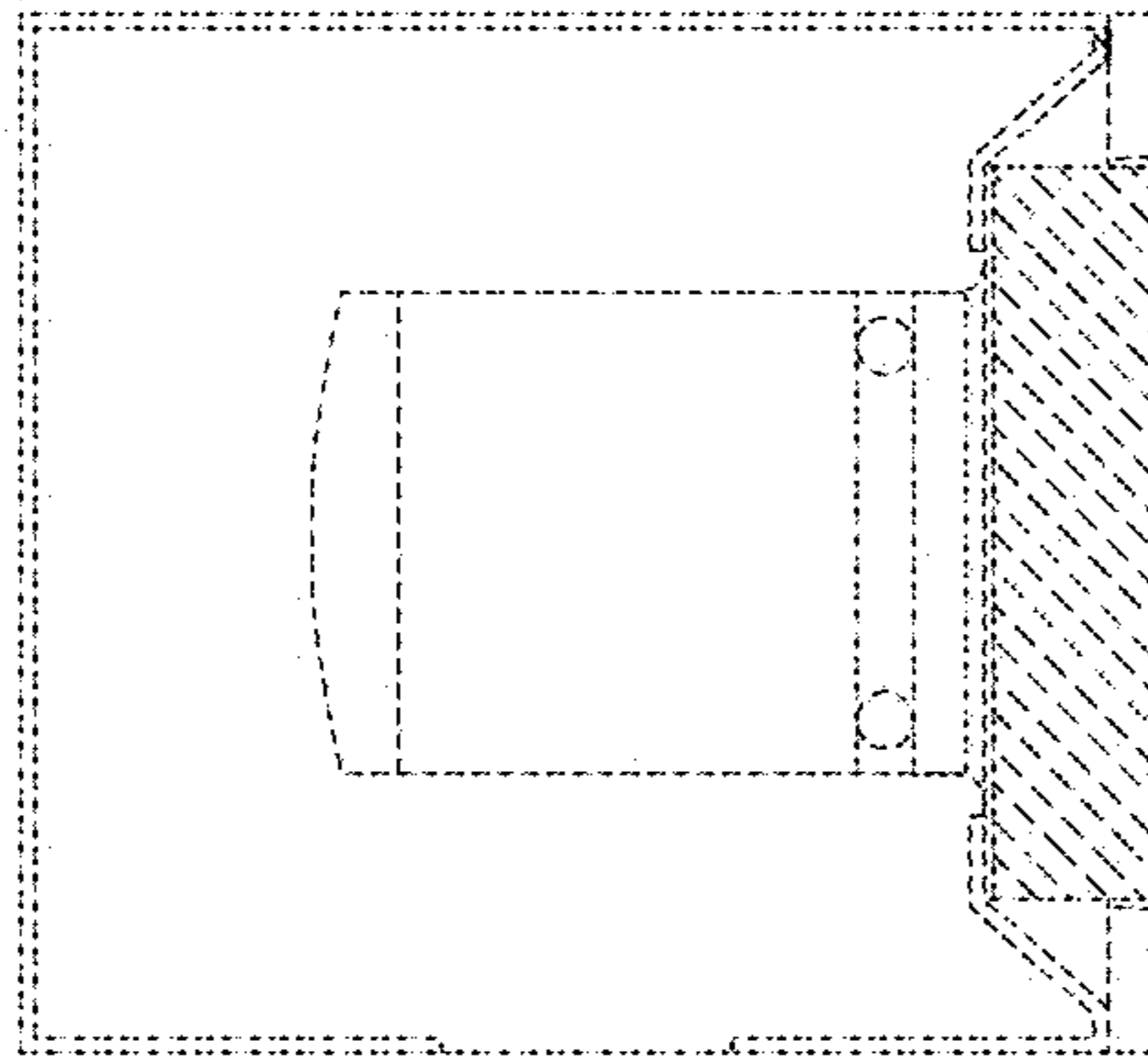


FIG. 9

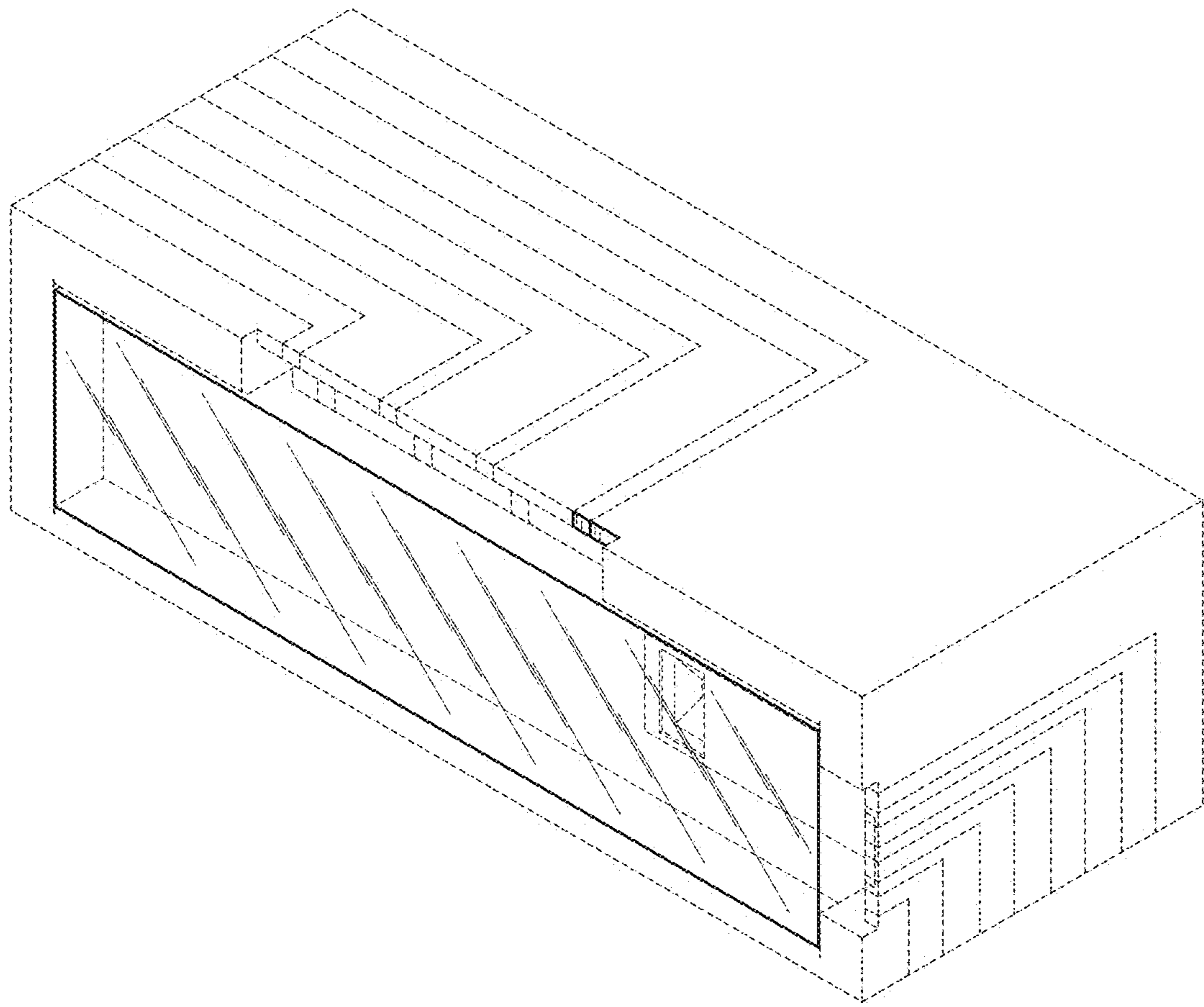


FIG. 10

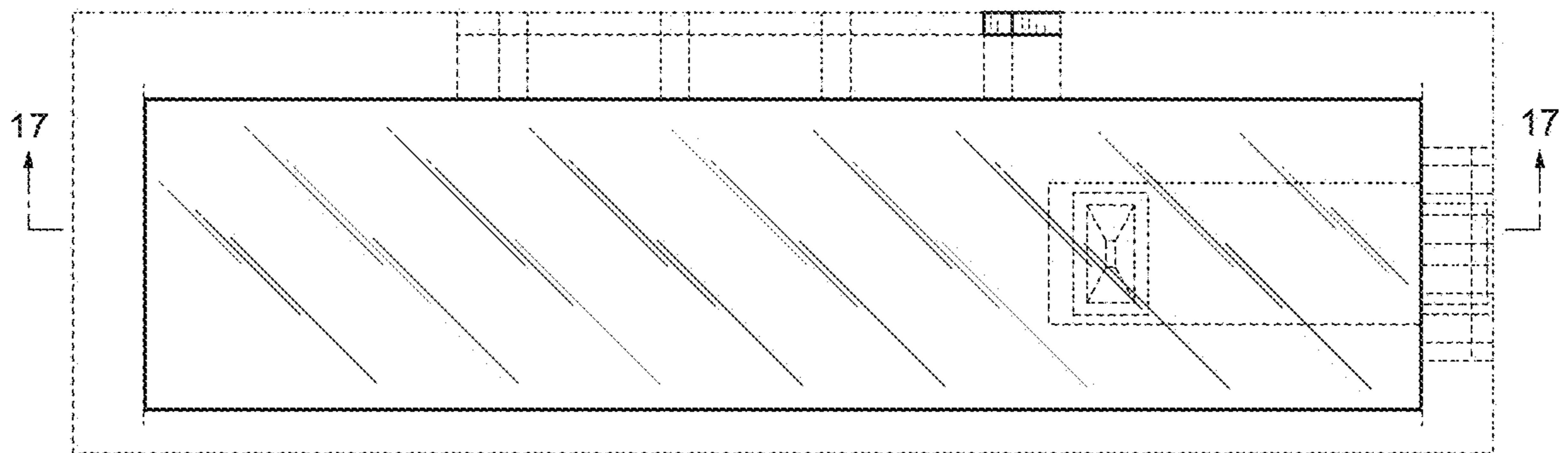


FIG. 11



FIG. 12

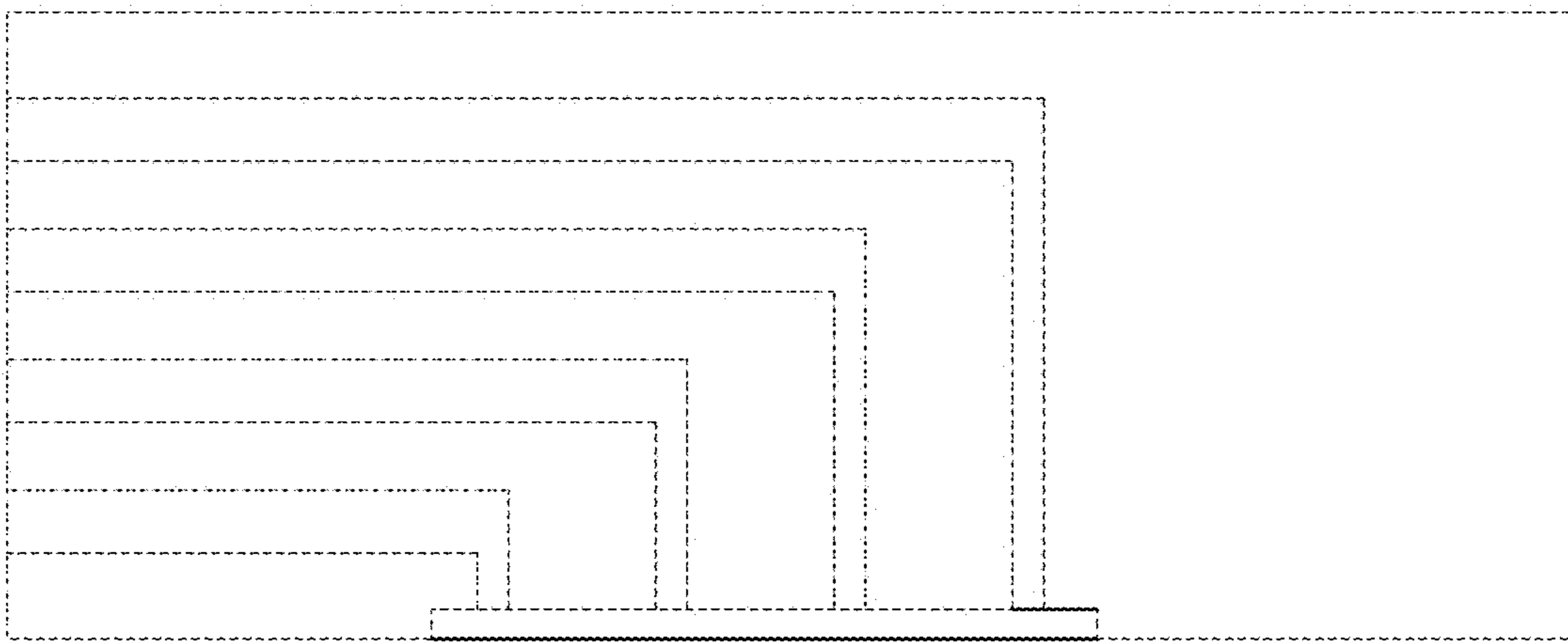


FIG. 13

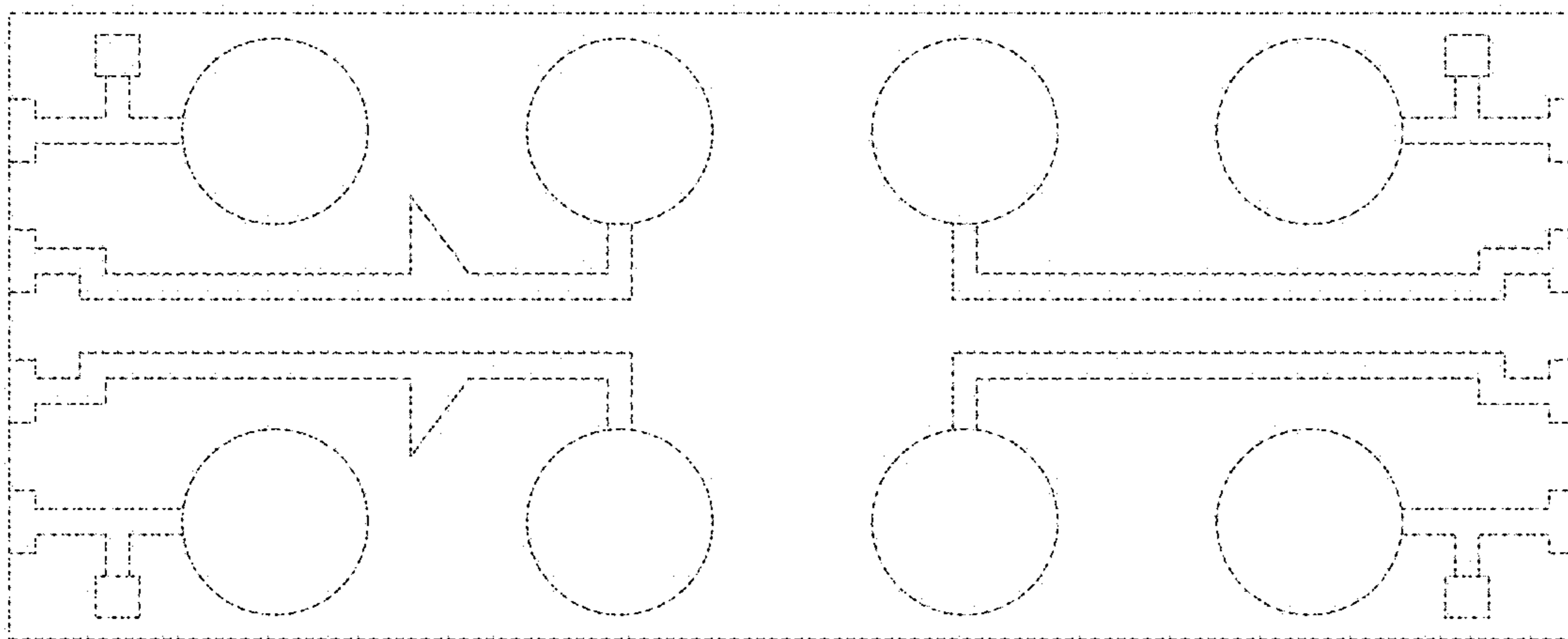


FIG. 14

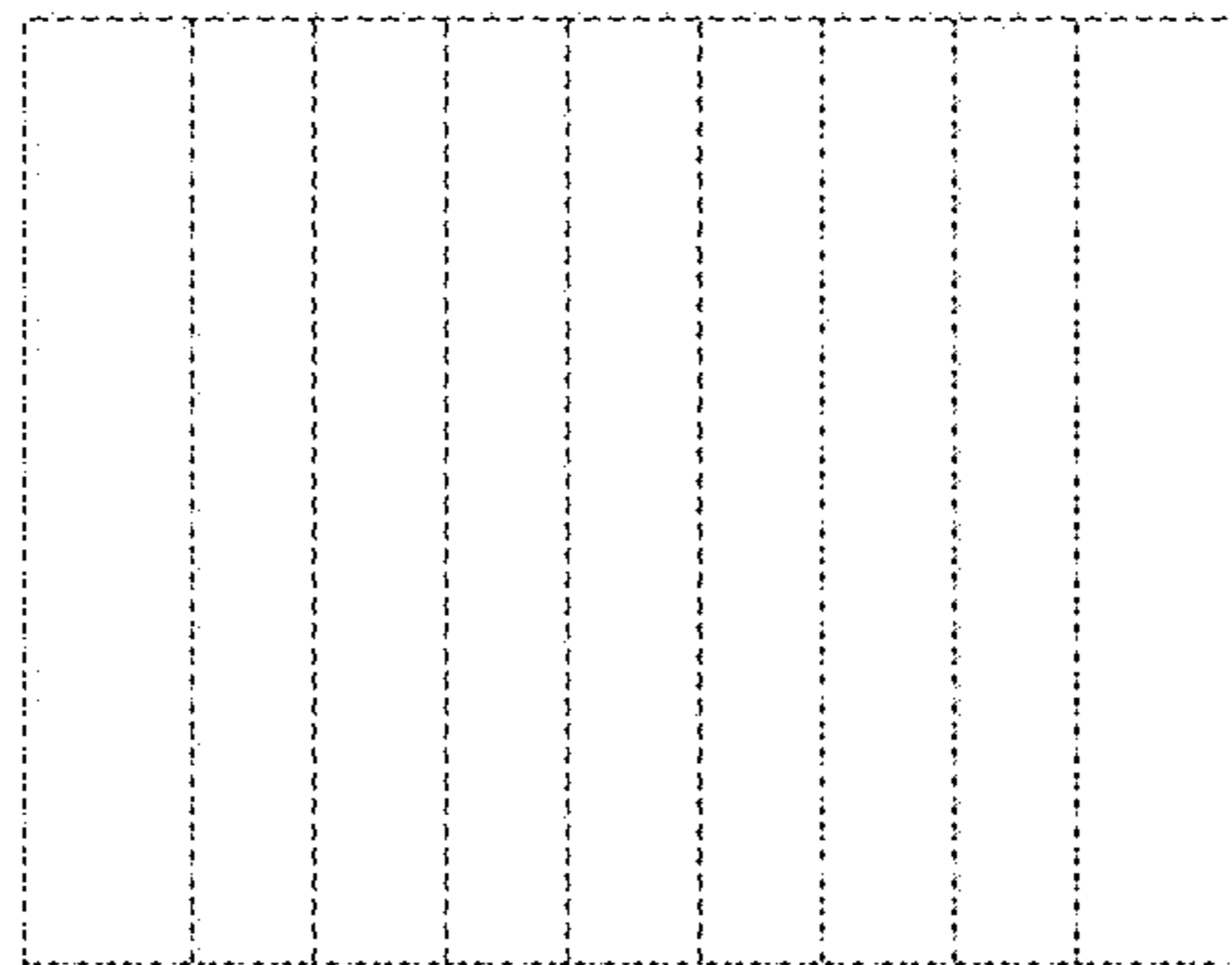


FIG. 15

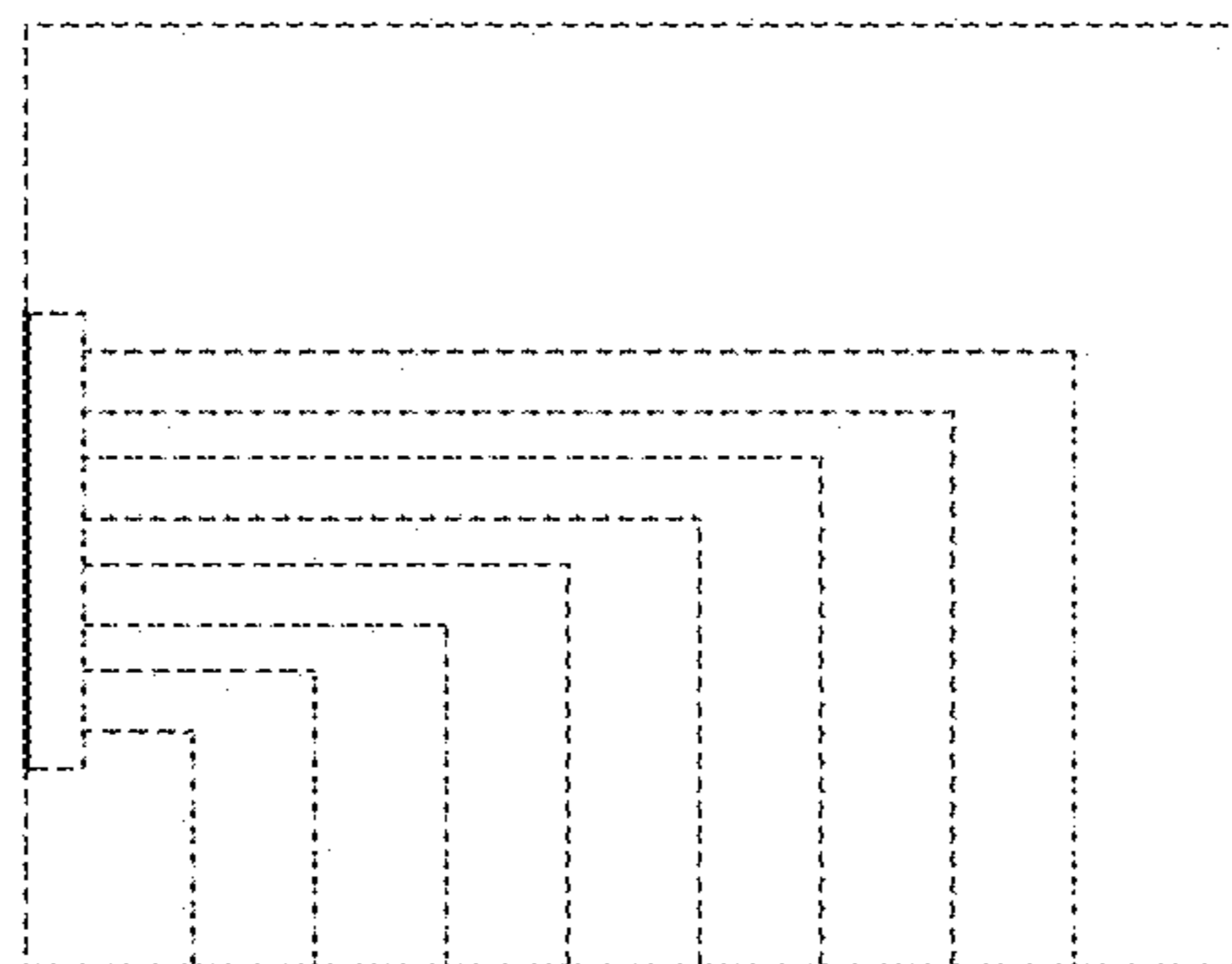


FIG. 16

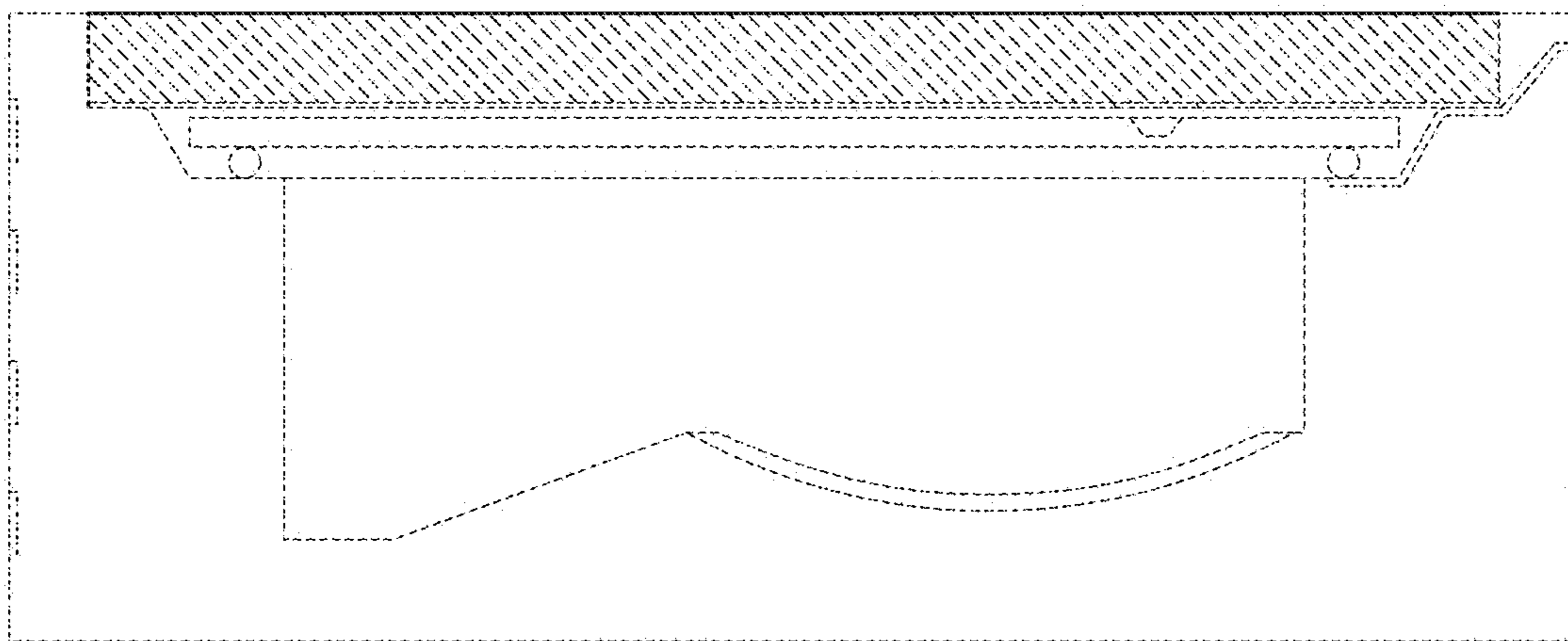


FIG. 17