



US00D910469S

(12) **United States Design Patent** (10) **Patent No.:** **US D910,469 S**
Schaller (45) **Date of Patent:** **** Feb. 16, 2021**

(54) **RANGEFINDER**

(56) **References Cited**

(71) Applicant: **JENOPTIK Advanced Systems GmbH, Wedel (DE)**

U.S. PATENT DOCUMENTS

(72) Inventor: **Uwe Schaller, Kahla (DE)**

D268,910 S *	5/1983	Shipp	D10/66
D355,205 S *	2/1995	Yokoi	D16/202
D570,234 S *	6/2008	Hui	D10/70
9,625,582 B2 *	4/2017	Gruver	G01S 17/931
D797,584 S *	9/2017	Venth	D10/70
D882,426 S *	4/2020	Gross	D10/65
D895,458 S *	9/2020	Nyhart	D10/70

(73) Assignee: **Jenoptik Advanced Systems GmbH, Wedel (DE)**

(**) Term: **15 Years**

* cited by examiner

(21) Appl. No.: **35/508,118**

Primary Examiner — George D. Kirschbaum

(22) Filed: **Mar. 15, 2019**

(74) *Attorney, Agent, or Firm* — Muncy, Geissler, Olds & Lowe, P.C.

(80) **Hague Agreement Data**

(57) **CLAIM**

Int. Filing Date: **Mar. 15, 2019**

The ornamental design for a rangefinder, as shown and described.

Int. Reg. No.: **DM/204652**

Int. Reg. Date: **Mar. 15, 2019**

Int. Reg. Pub. Date: **Dec. 13, 2019**

DESCRIPTION

(30) **Foreign Application Priority Data**

Sep. 18, 2018 (DE) 40 2018 100 937.7

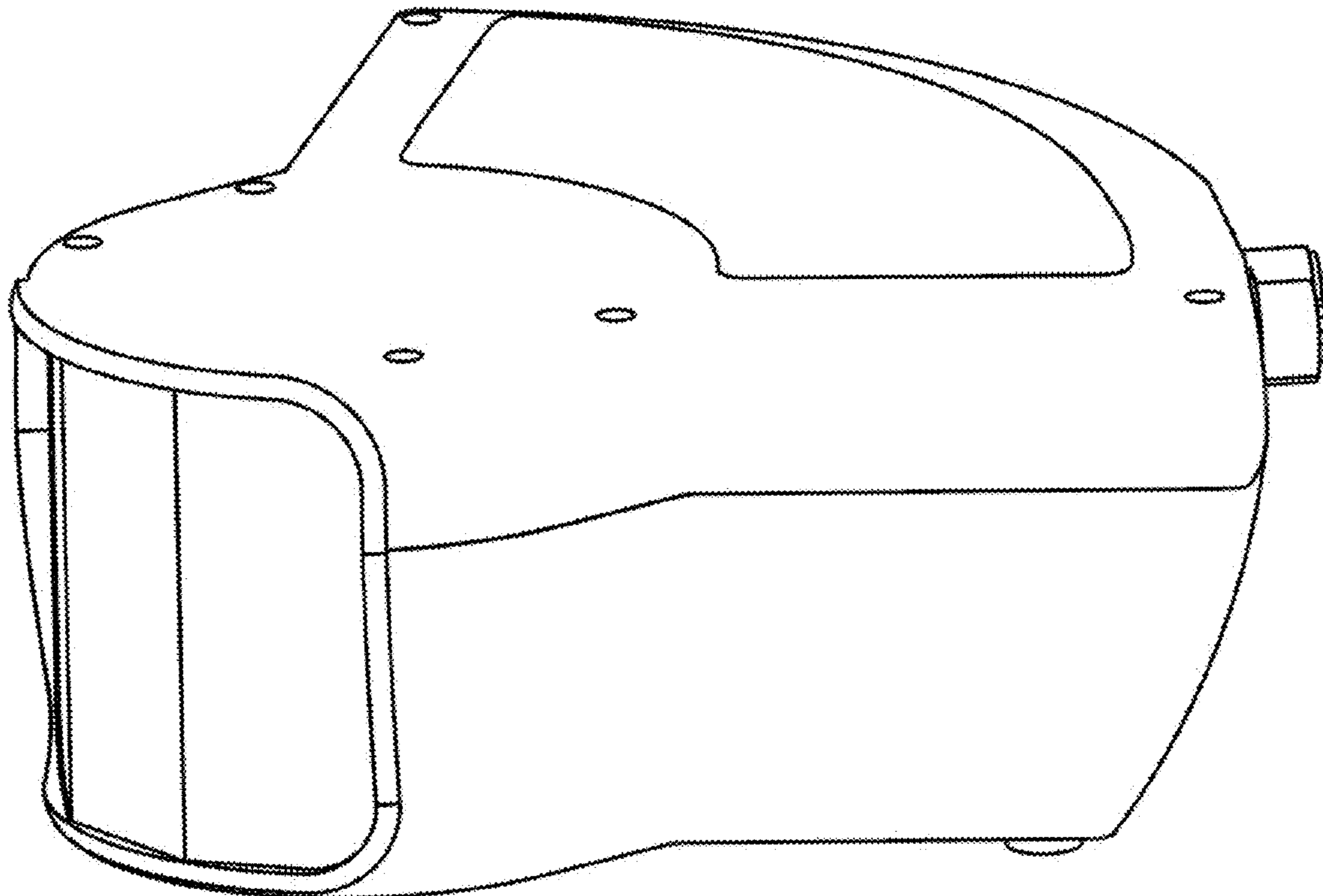
(51) **LOC (13) Cl.** **10-04**

(52) **U.S. Cl.**
USPC **D10/70**

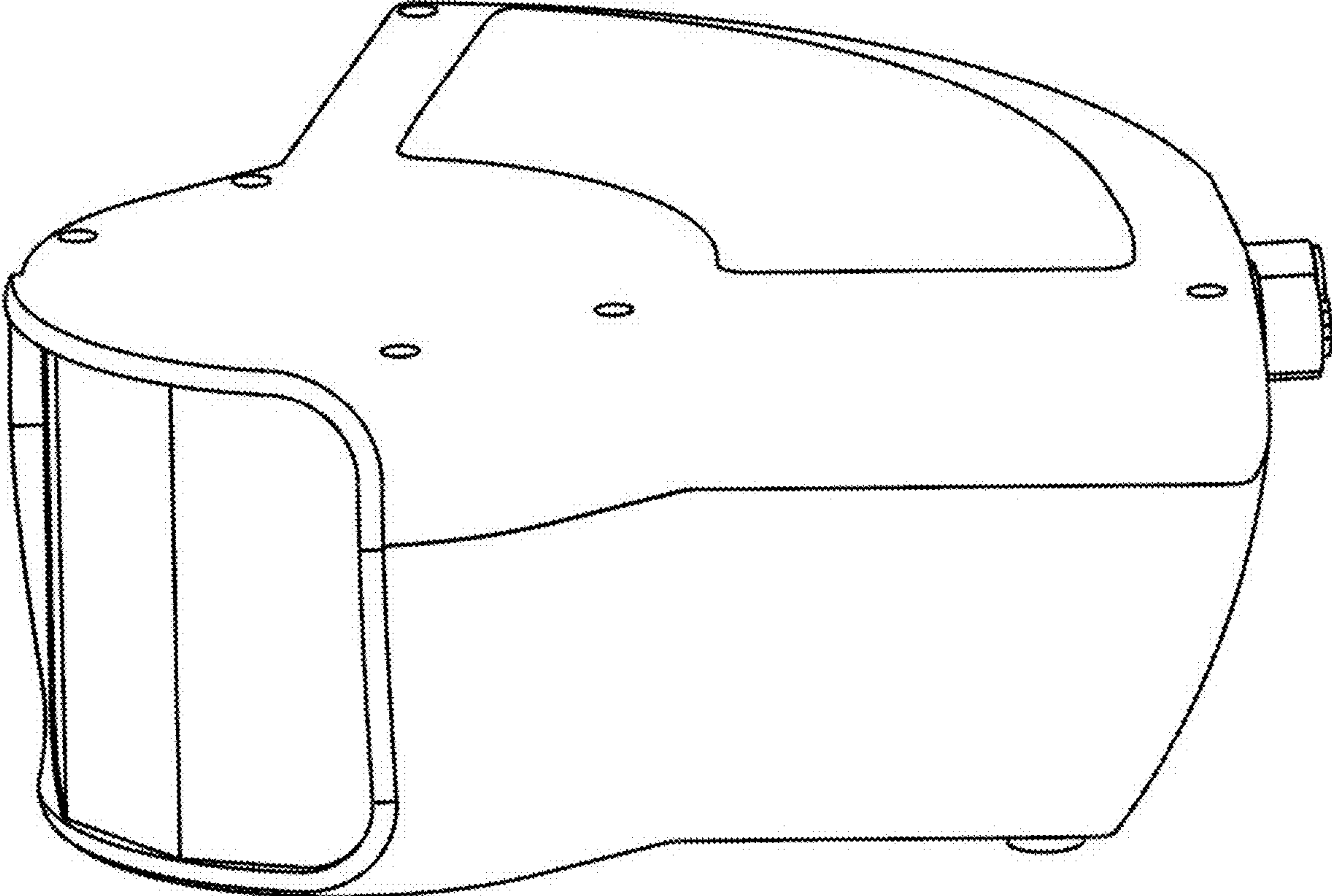
(58) **Field of Classification Search**
USPC D10/104.1, 70, 65-66, 101, 75; D16/202
CPC G01S 17/931
See application file for complete search history.

- 1. Rangefinder
- 1.1 : Perspective
- 1.2 : Front
- 1.3 : Left
- 1.4 : Right
- 1.5 : Back
- 1.6 : Top
- 1.7 : Bottom
- 1.8 : Perspective
- 1.9 : Perspective

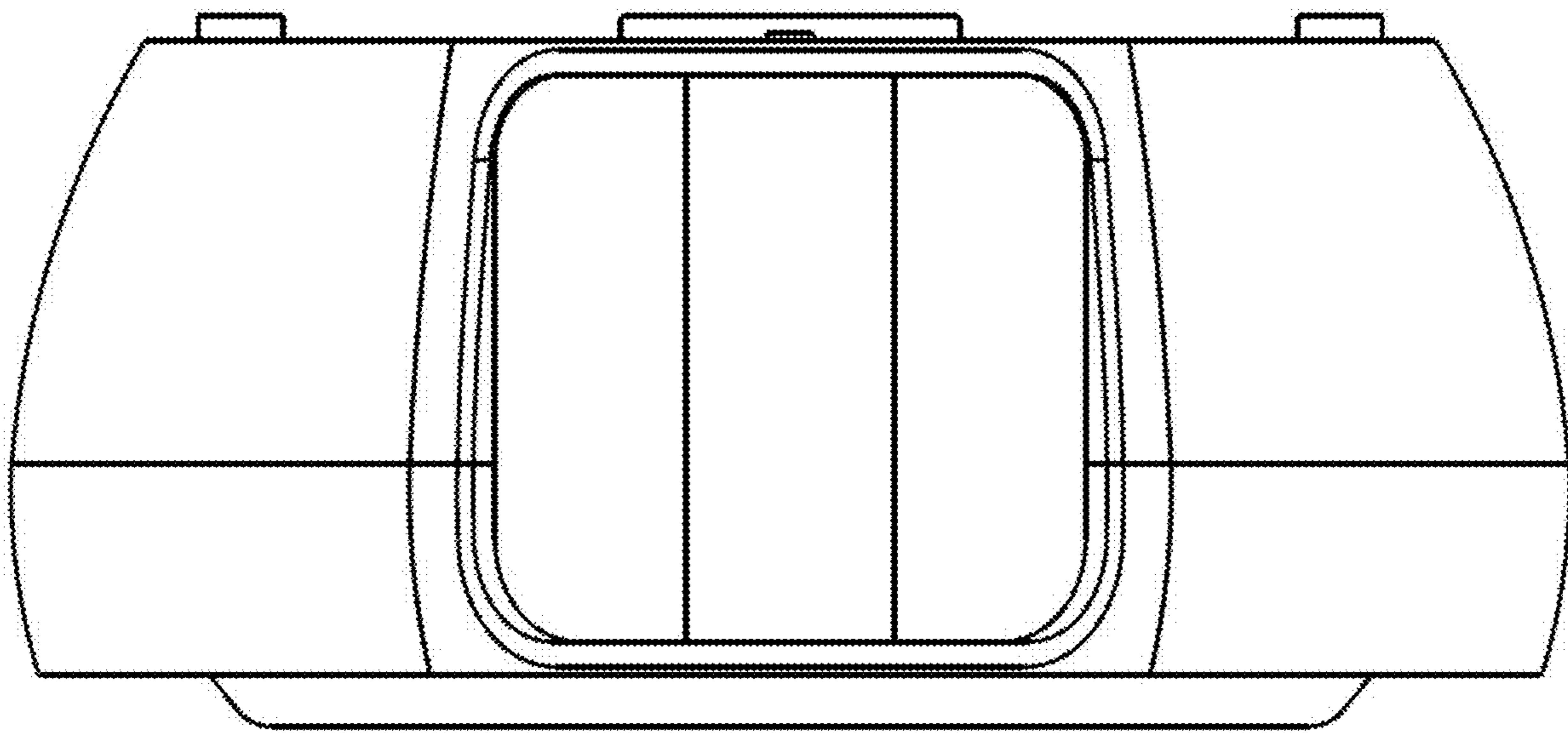
1 Claim, 9 Drawing Sheets



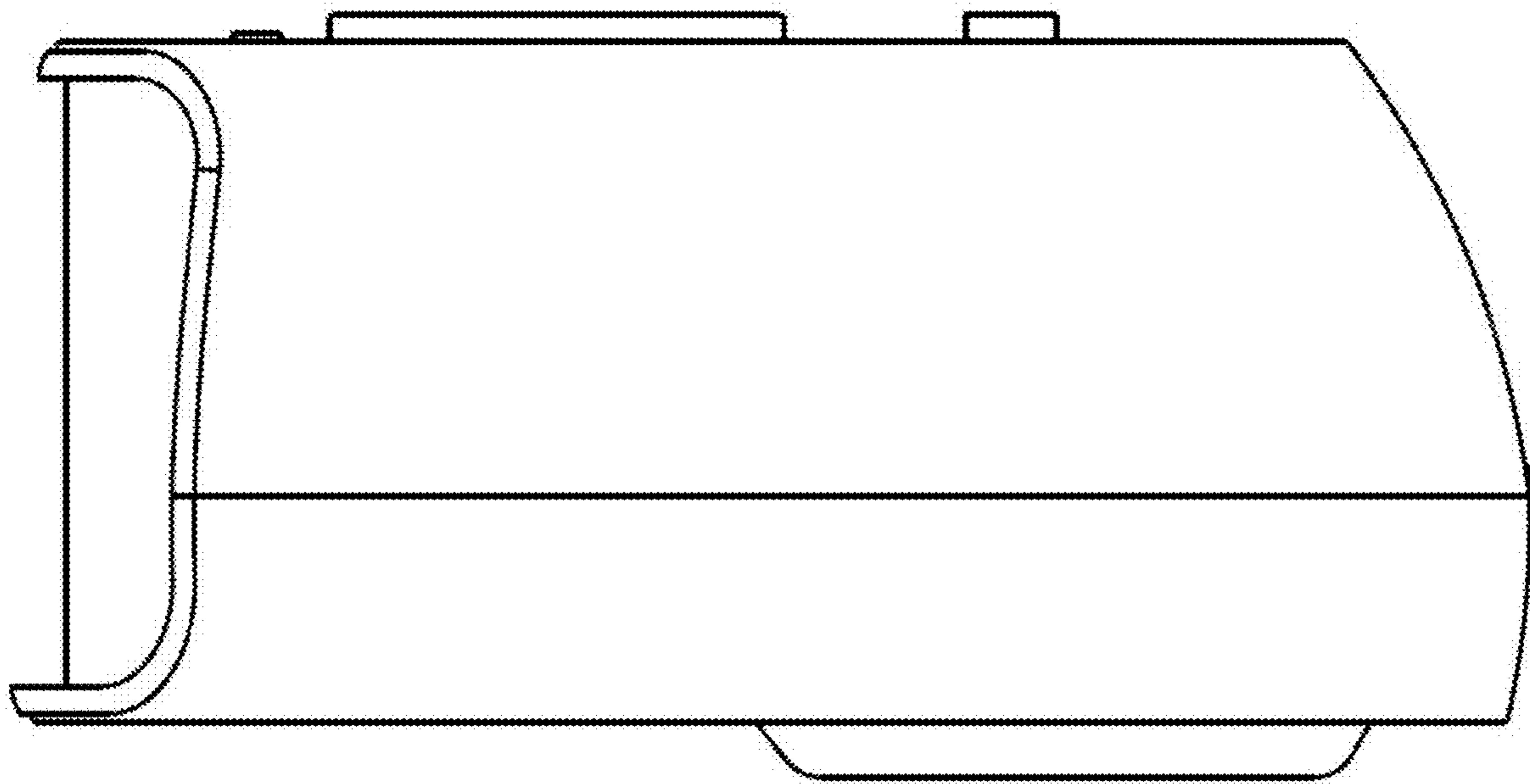
1.1



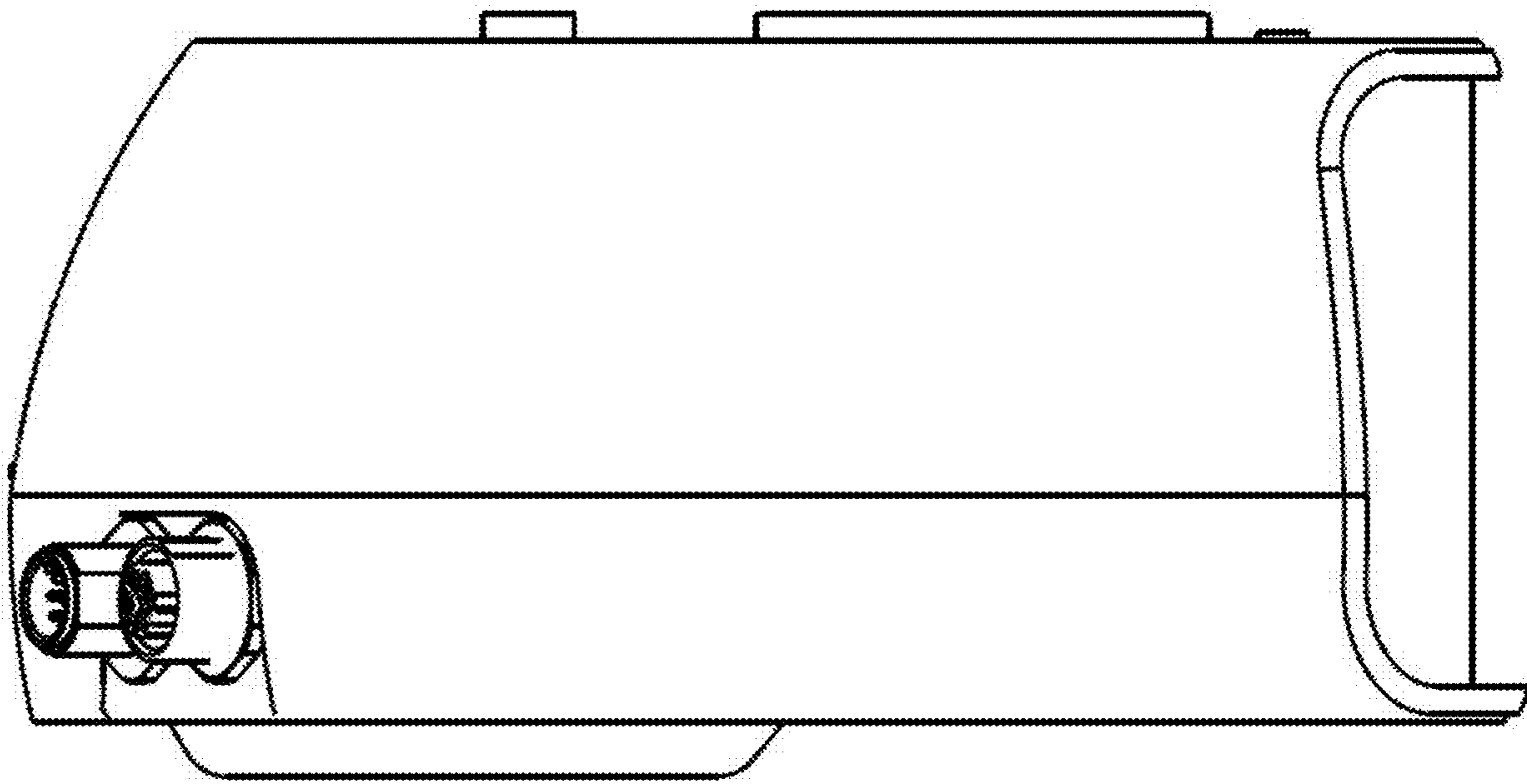
1.2



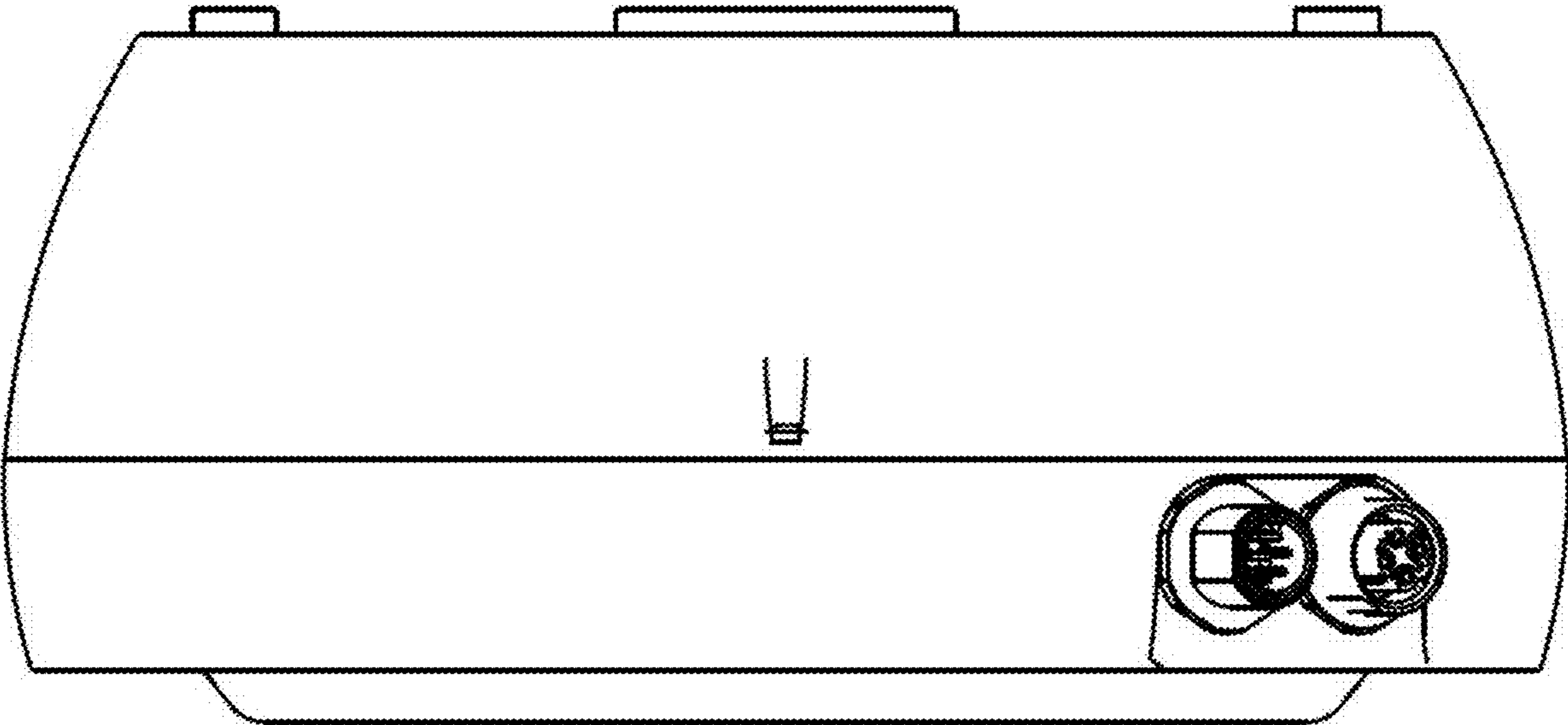
1.3



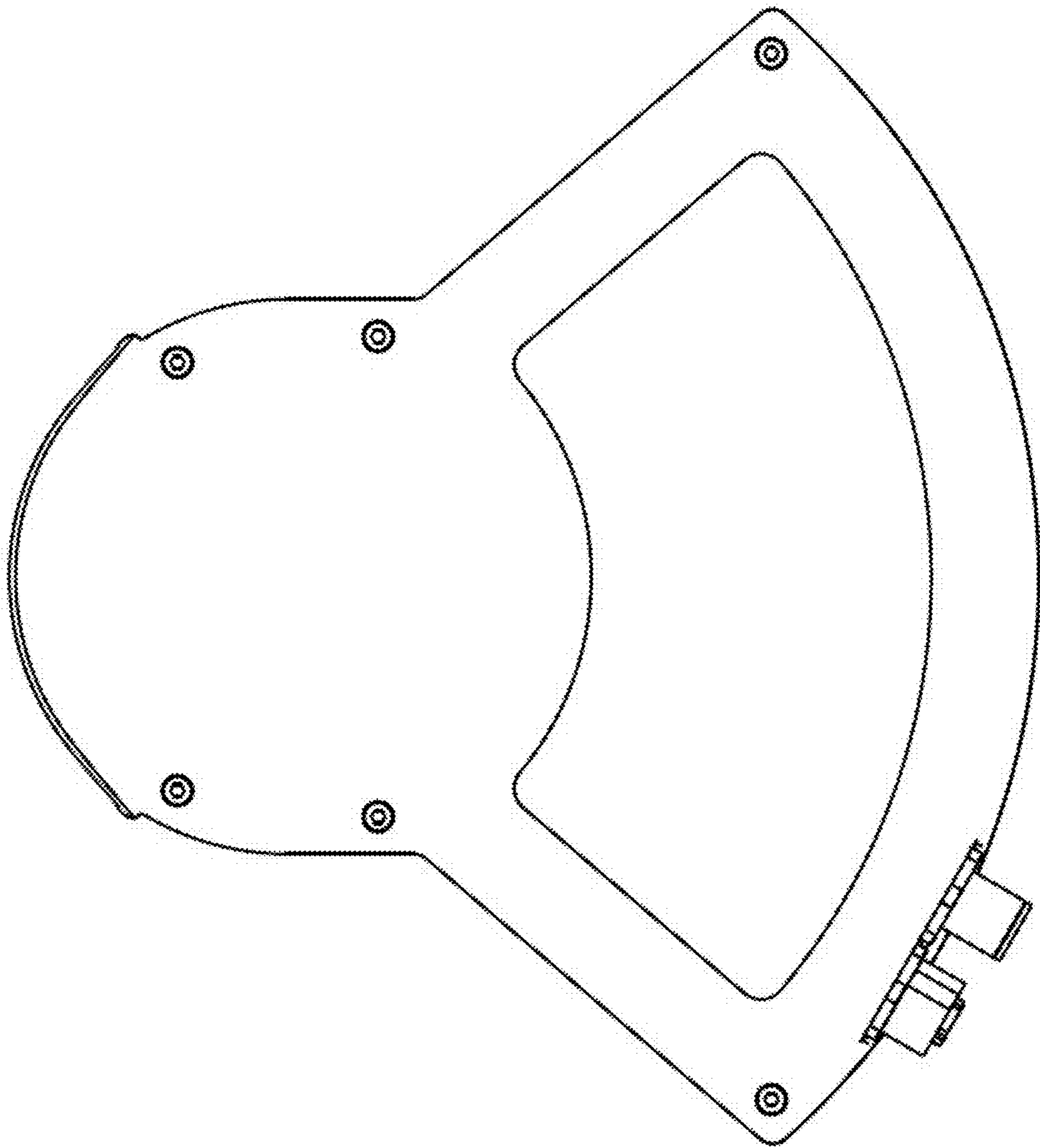
1.4



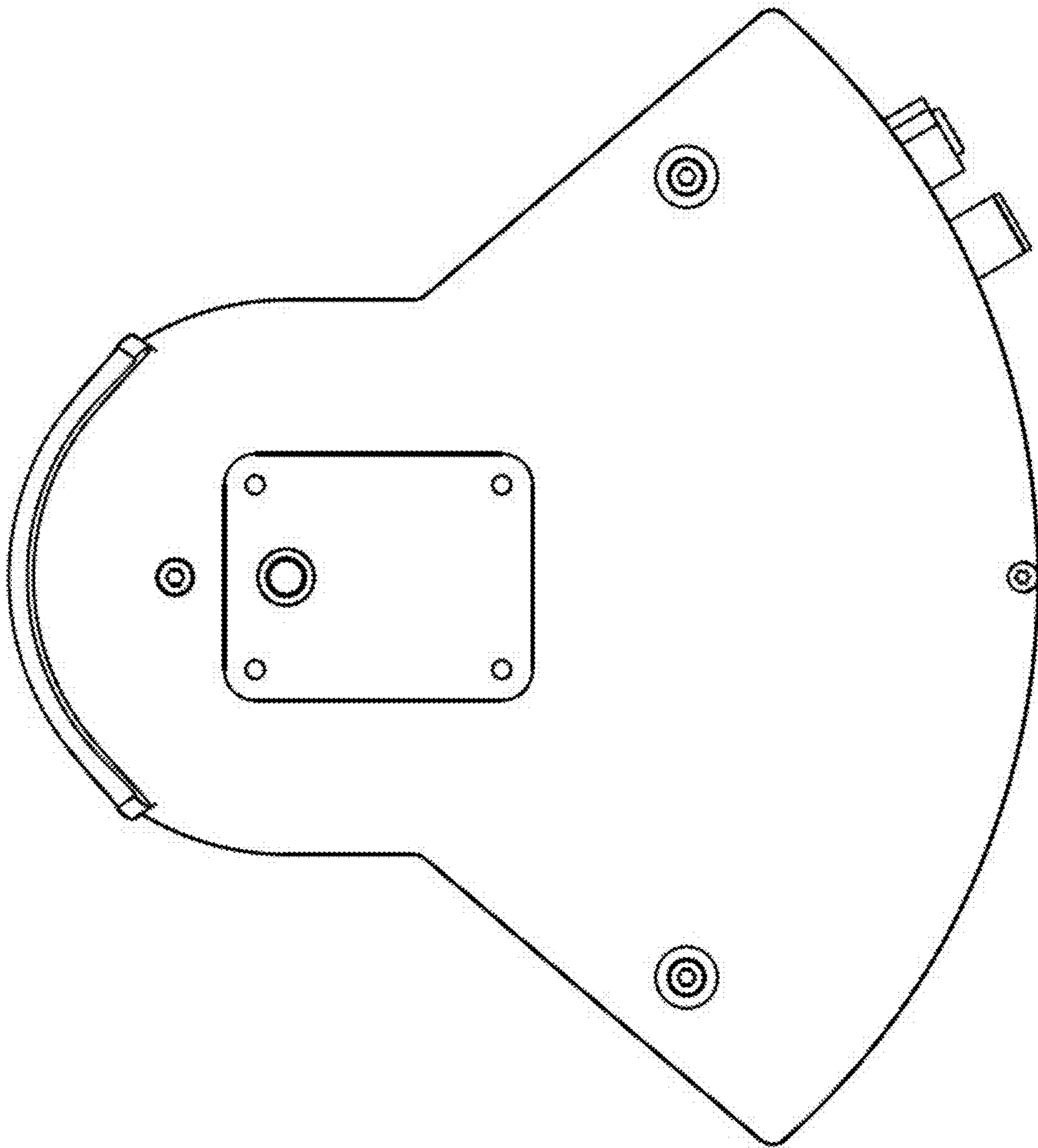
1.5



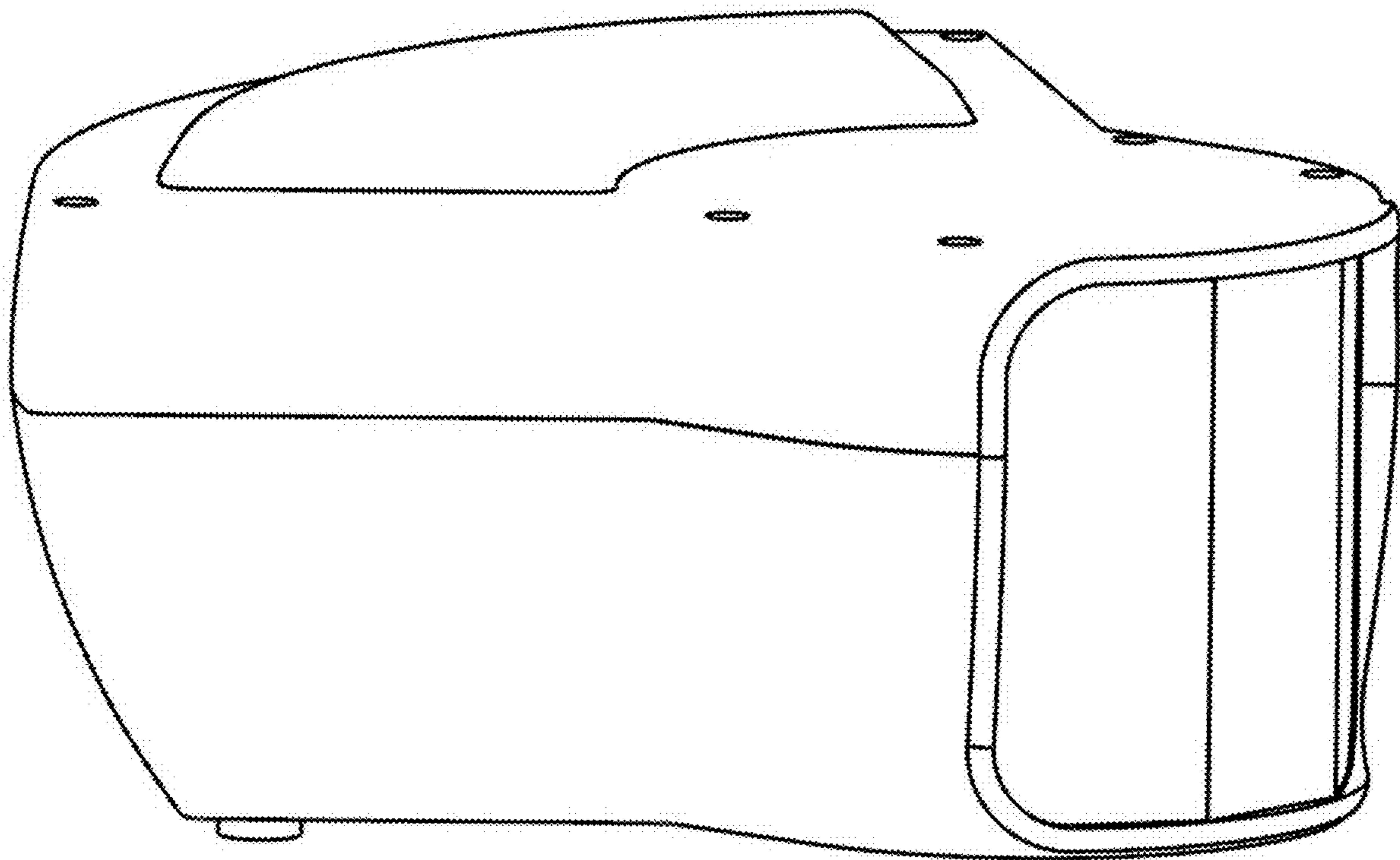
1.6



1.7



1.8



1.9

