



US00D910466S

(12) **United States Design Patent** (10) **Patent No.:** **US D910,466 S**
Zhang et al. (45) **Date of Patent:** **** Feb. 16, 2021**

(54) **WATER PRESSURE MONITOR TERMINAL**

(56) **References Cited**

(71) Applicant: **HONEYWELL INTERNATIONAL INC.**, Morris Plains, NJ (US)

U.S. PATENT DOCUMENTS

(72) Inventors: **York Zhang**, Shanghai (CN); **Rocky Qu**, Shanghai (CN); **Zhao Xia Jin**, Shanghai (CN)

D287,701 S * 1/1987 Foster D10/49
D307,708 S * 5/1990 Moriyama D10/49
D315,144 S * 3/1991 Dard D10/46
D434,338 S * 11/2000 Odom D10/49
D815,052 S * 4/2018 Schindler D13/162

(73) Assignee: **HONEYWELL INTERNATIONAL INC.**, Morris Plains, NJ (US)

* cited by examiner

(**) Term: **15 Years**

Primary Examiner — Antoine Duval Davis

(21) Appl. No.: **29/689,670**

(74) *Attorney, Agent, or Firm* — Alston & Bird LLP

(22) Filed: **May 1, 2019**

(57) **CLAIM**

We claim the ornamental design for a water pressure monitor terminal, as shown and described.

(30) **Foreign Application Priority Data**

DESCRIPTION

Nov. 2, 2018 (CN) 2018 3 0618144

(51) **LOC (13) Cl.** **10-04**

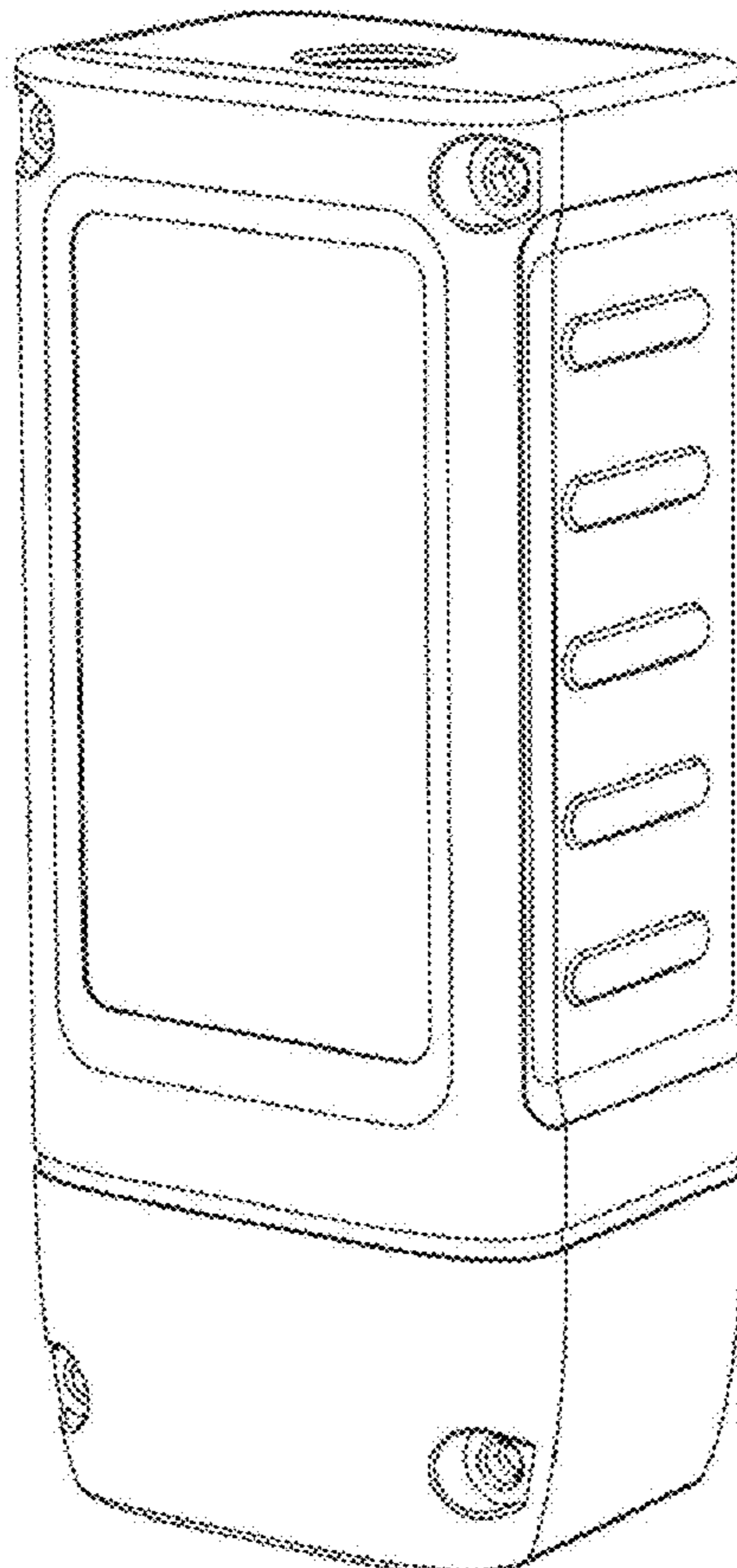
(52) **U.S. Cl.**
USPC **D10/49; D10/85; D13/162.1**

(58) **Field of Classification Search**
USPC D10/49, 85
CPC G01R 13/144; G08B 5/00; G08B 5/36;
G08B 21/0291; G08B 21/18; G08B 21/182; G08B 21/20

FIG. 1 is a front elevation view of a water pressure monitor terminal showing our new design;
FIG. 2 is a rear elevation view thereof;
FIG. 3 is left side elevation view thereof;
FIG. 4 is a right side elevation view thereof;
FIG. 5 is a top plan view thereof;
FIG. 6 is a bottom plan view thereof; and,
FIG. 7 is a perspective view thereof shown from the front, top, and right side.

See application file for complete search history.

1 Claim, 6 Drawing Sheets



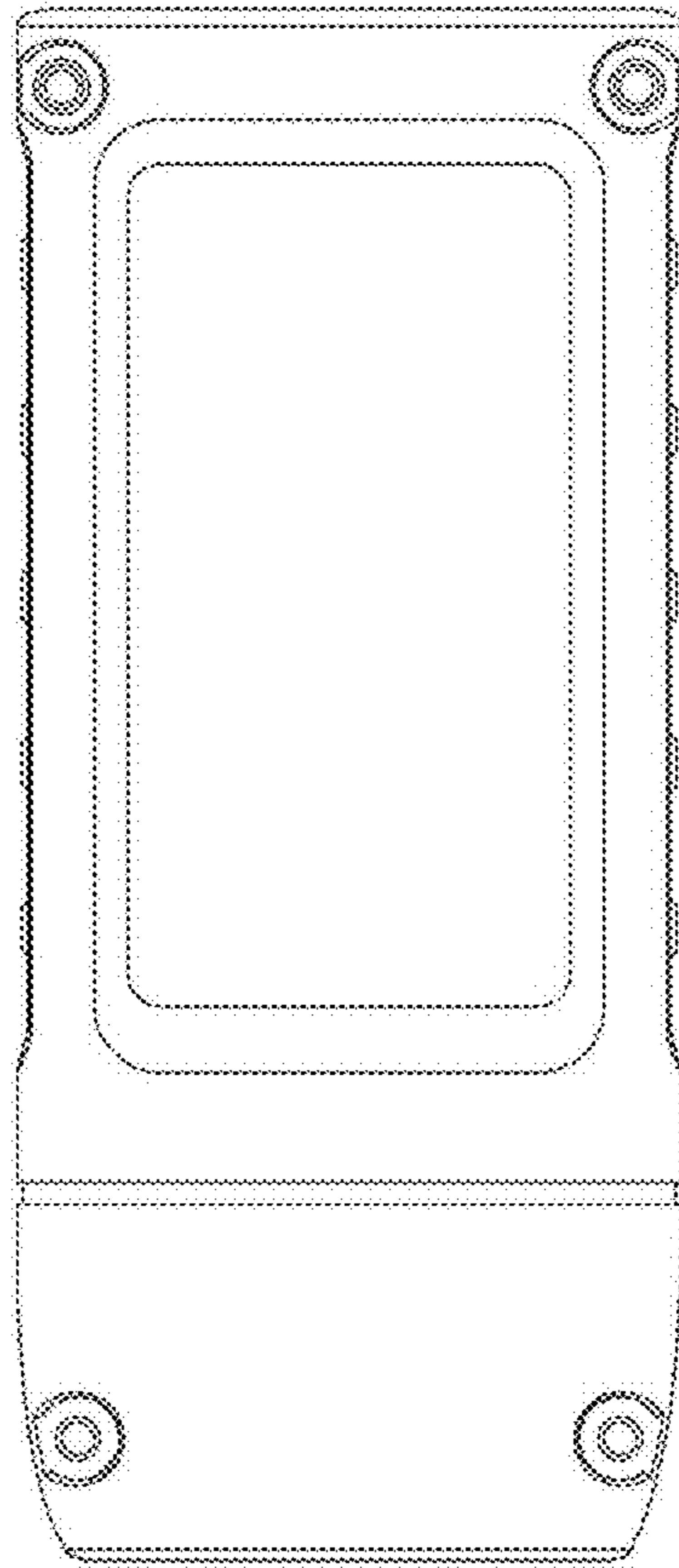


Fig. 1

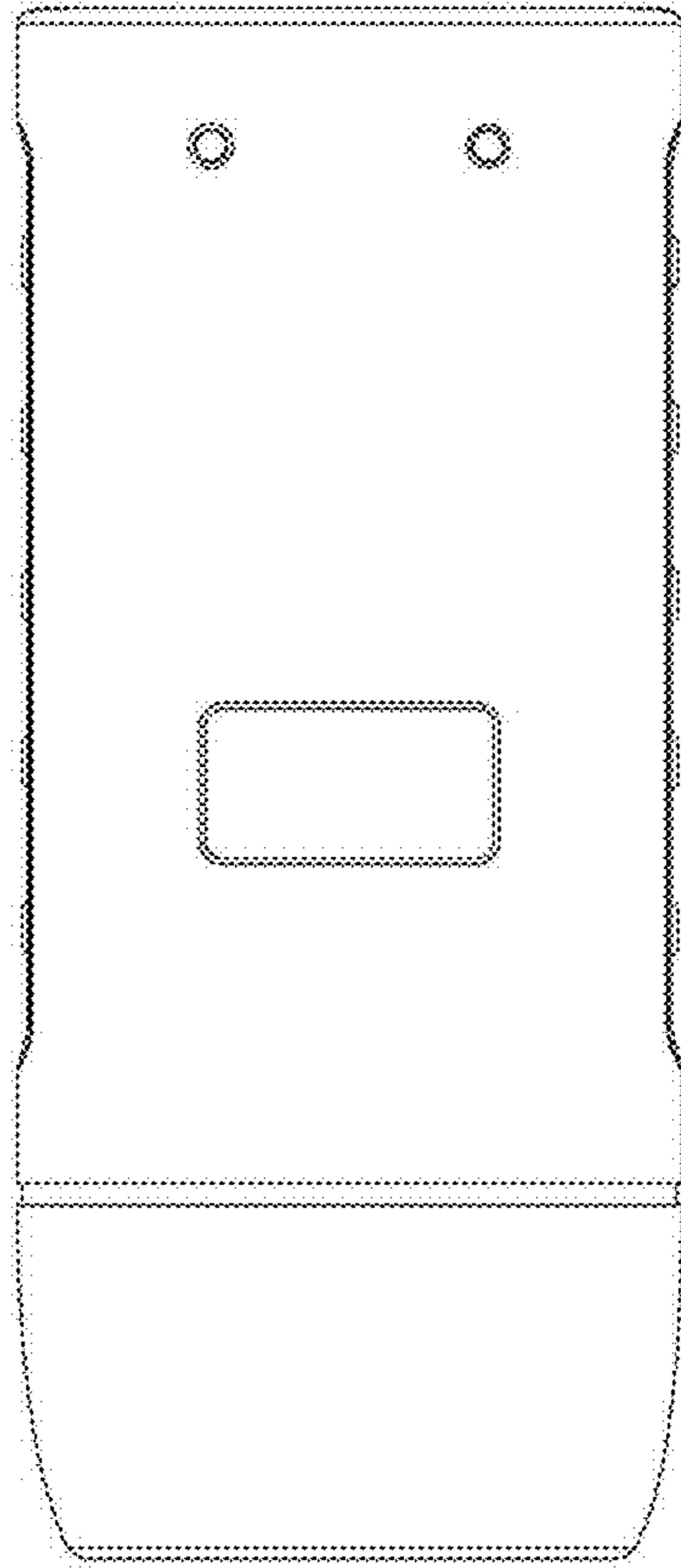


Fig. 2

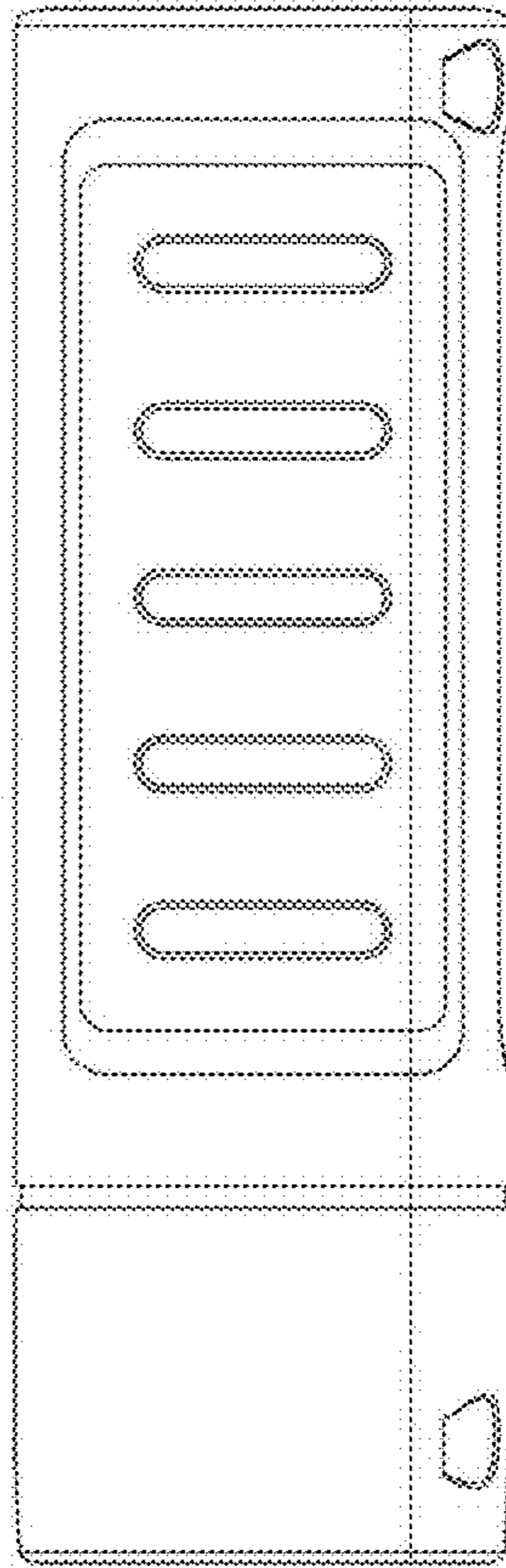


Fig. 3

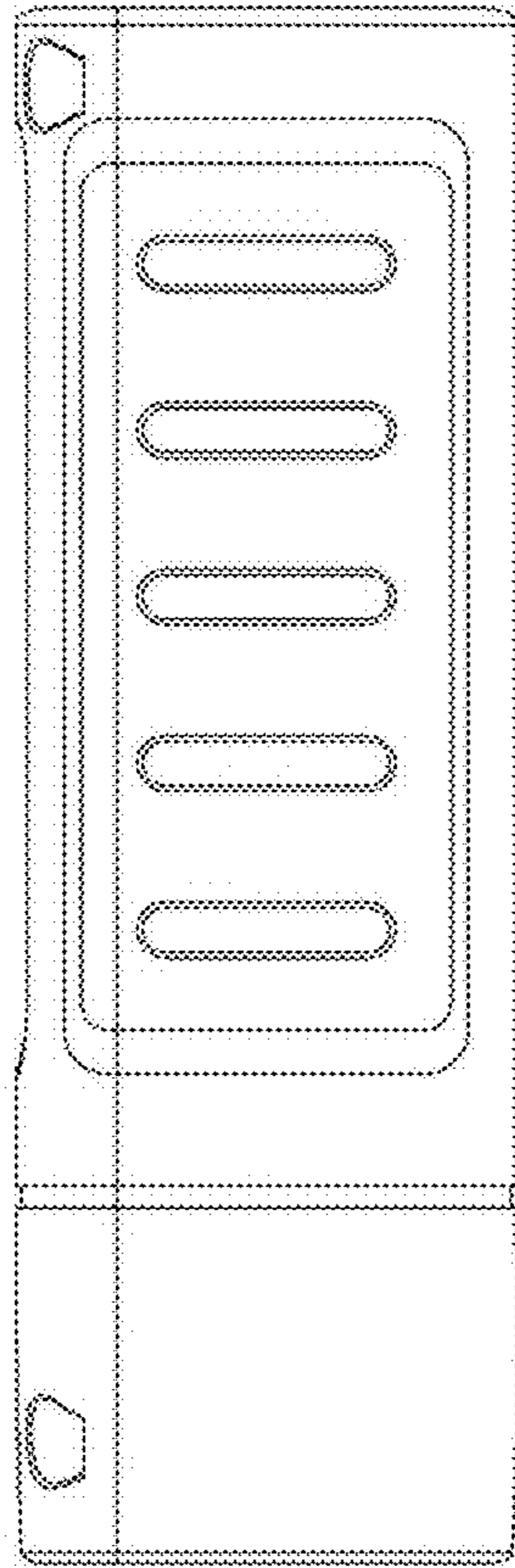


Fig. 4

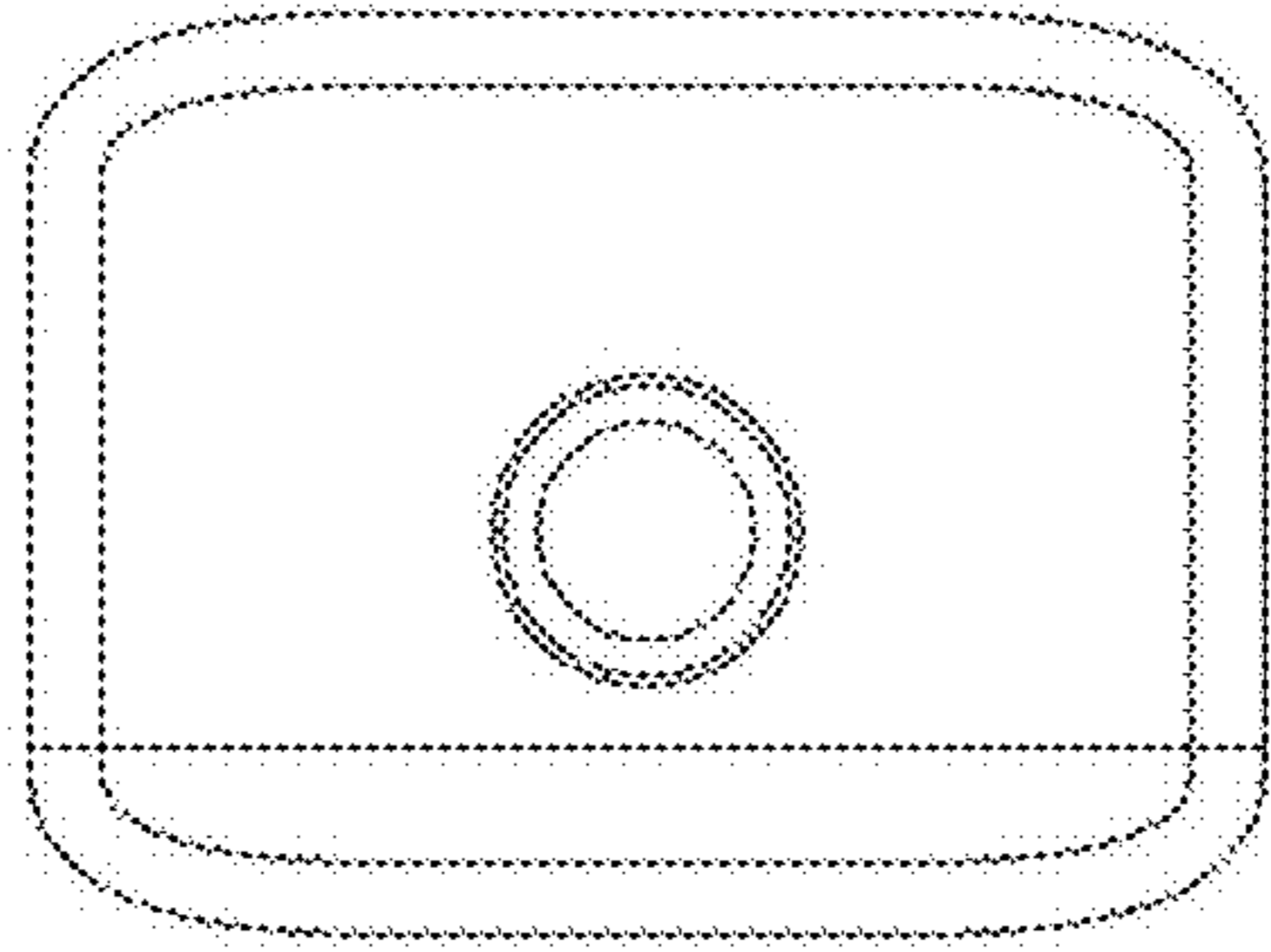


Fig. 5

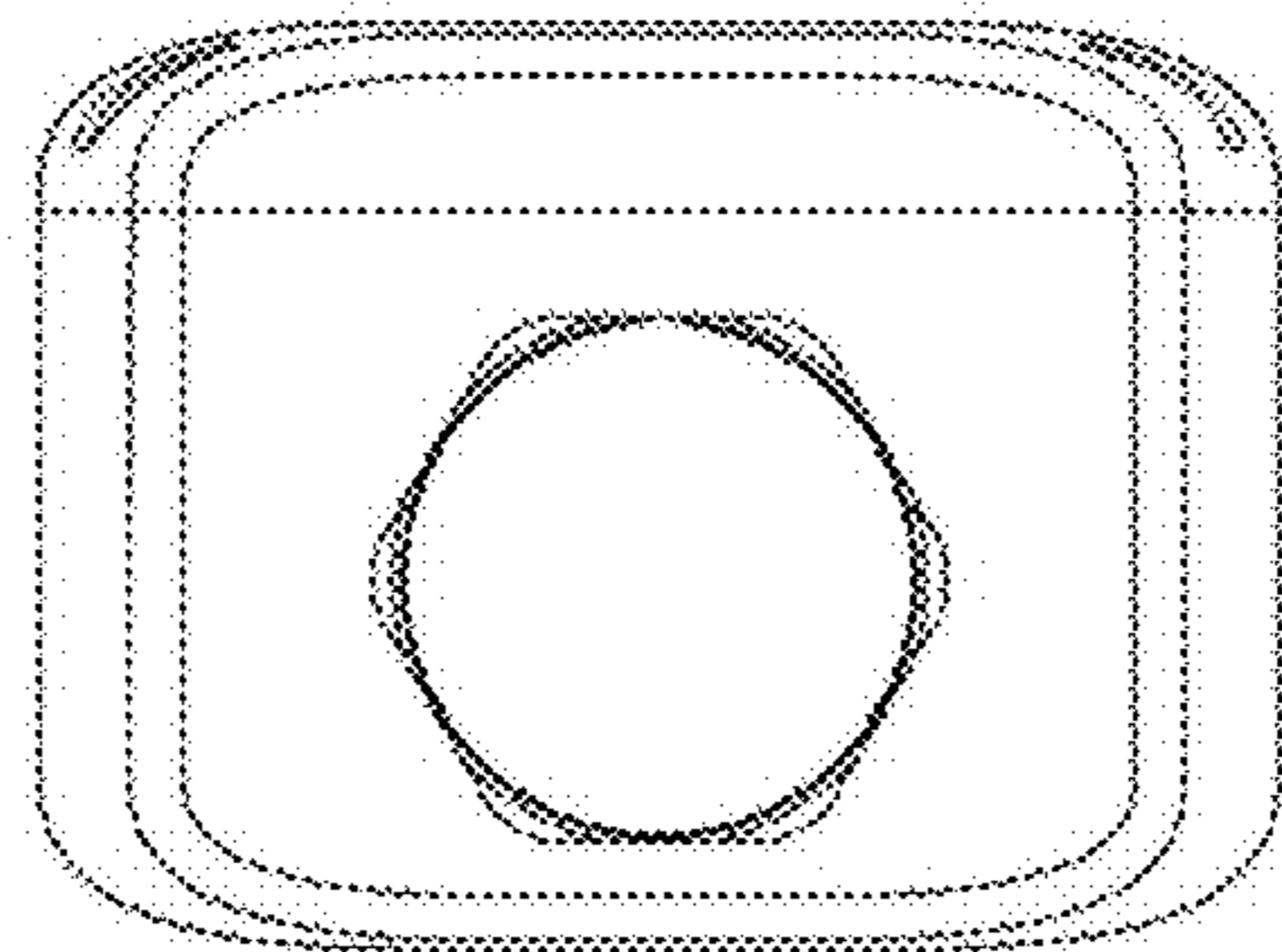


Fig. 6

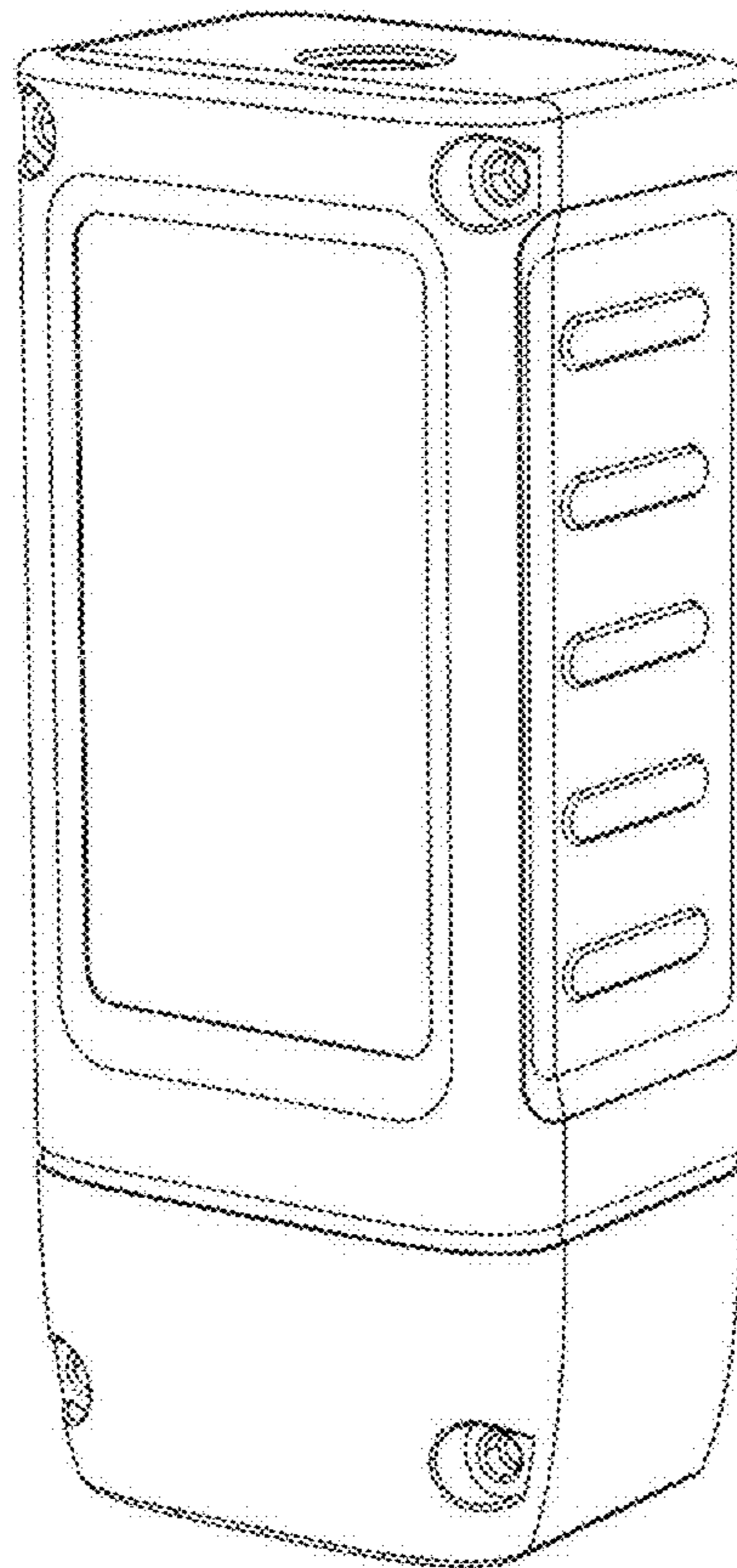


Fig. 7