



US00D910465S

(12) **United States Design Patent**  
**Lindeman et al.**

(10) **Patent No.:** **US D910,465 S**

(45) **Date of Patent:** **\*\* Feb. 16, 2021**

(54) **MONITORING DEVICE ENCLOSURE**

(71) Applicant: **Cornell Pump Company**, Clackamas, OR (US)

(72) Inventors: **Adam Lindeman**, Portland, OR (US);  
**Andrew Enterline**, Troutdale, OR (US); **Marcus Davi**, Portland, OR (US)

(73) Assignee: **Cornell Pump Company**, Clackamas, OR (US)

(\*\*) Term: **15 Years**

(21) Appl. No.: **29/689,312**

(22) Filed: **Apr. 29, 2019**

(51) **LOC (13) Cl.** ..... **10-04**

(52) **U.S. Cl.**  
USPC ..... **D10/49; D10/96**

(58) **Field of Classification Search**  
USPC ..... D10/49, 96; D13/162  
CPC ..... F04B 49/06; F04B 47/06; F04B 25/00;  
F04B 27/00; F04B 33/00; F04B 35/00;  
F04B 37/00; F04B 39/00; F04B 39/12;  
F04B 39/121; F04B 39/122; F04B 39/123;  
F04B 39/125; F04B 39/126; F04B 39/127;  
F04B 39/128; E21B 43/01; E21B 43/12;  
G01R 31/34; G07C 3/00; H04L 29/06;  
G08B 26/00; G05B 23/02; G05B 19/048;  
G01D 21/02; G08C 17/02; F16K 25/00;  
F16K 25/005; F16K 25/02; F16K 25/04;  
F16K 27/00; F16K 27/003; F16K 27/006;  
F16K 27/02; F16K 27/0209; F16K 27/0218;  
F16K 27/0227; F16K 27/0236; F16K 27/0245; F16K 27/0254;  
F16K 27/0263; F16K 27/0272; F16K 27/0281;  
F16K 27/029; F16K 27/04; F16K 27/041;  
F16K 27/042; F16K 27/044; F16K 27/045;  
F16K 27/047; F16K 27/048; F16K 27/06; F16K 27/062;  
F16K 27/065; F16K 27/067; F16K 27/07; F16K 27/08;  
F16K 27/10; F16K 27/102; F16K 27/105;  
F16K 27/107; F16K 27/12;

F16K 31/04; F16K 11/078; F16K 11/07; F23N 1/005; F23N 5/10; F23N 2900/01002; F23N 2035/16; F16J 15/3404; Y10T 137/87917; Y10T 137/1407; Y10T 137/86549; Y10T 137/86654; Y10T 137/86702; Y10T 137/86646; H01H

(Continued)

(56) **References Cited**

U.S. PATENT DOCUMENTS

8,154,417 B2 4/2012 Hauenstein et al.  
D725,505 S \* 3/2015 Arensmeier ..... D10/49  
(Continued)

FOREIGN PATENT DOCUMENTS

CN 206162152 U 5/2017  
CN 207879579 U 9/2018  
(Continued)

*Primary Examiner* — Antoine Duval Davis

(74) *Attorney, Agent, or Firm* — Snyder, Clark, Lesch & Chung, LLP

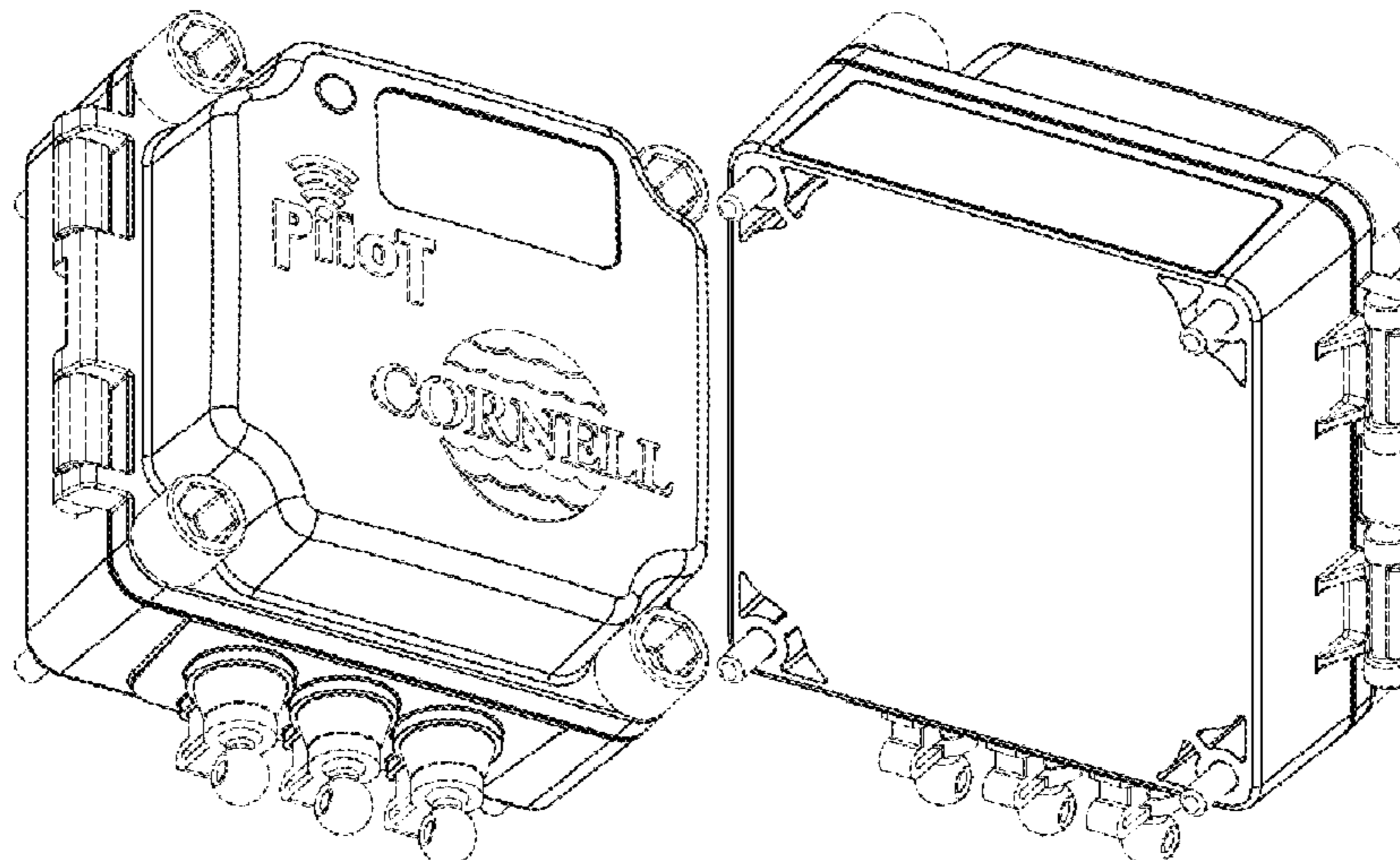
(57) **CLAIM**

The ornamental design of a monitoring device enclosure, as shown in the figures and described.

**DESCRIPTION**

FIG. 1 is a front perspective view of a monitoring device enclosure illustrating the design of the present invention; FIG. 2 is a left side perspective view of the monitoring device enclosure of FIG. 1; FIG. 3 is a bottom perspective view of the monitoring device enclosure of FIG. 1; and, FIG. 4 is a rear perspective view of the monitoring device enclosure of FIG. 1. The broken lines depict portions of the monitoring device enclosure that form no part of the claimed design.

**1 Claim, 4 Drawing Sheets**



(58) **Field of Classification Search**

CPC ... 2223/008; H01H 2223/01; H01H 2223/012;  
H01H 2223/014; H01H 2223/016; H01H  
2223/018; H01H 2223/02; H01H  
2223/022; H01H 2223/024; H01H  
2223/026; H01H 2223/028; H01H  
2223/00; H01H 2223/002; H01H  
2223/003; H01H 2223/004; H01H  
2223/006; H01H 2223/04

See application file for complete search history.

(56) **References Cited**

U.S. PATENT DOCUMENTS

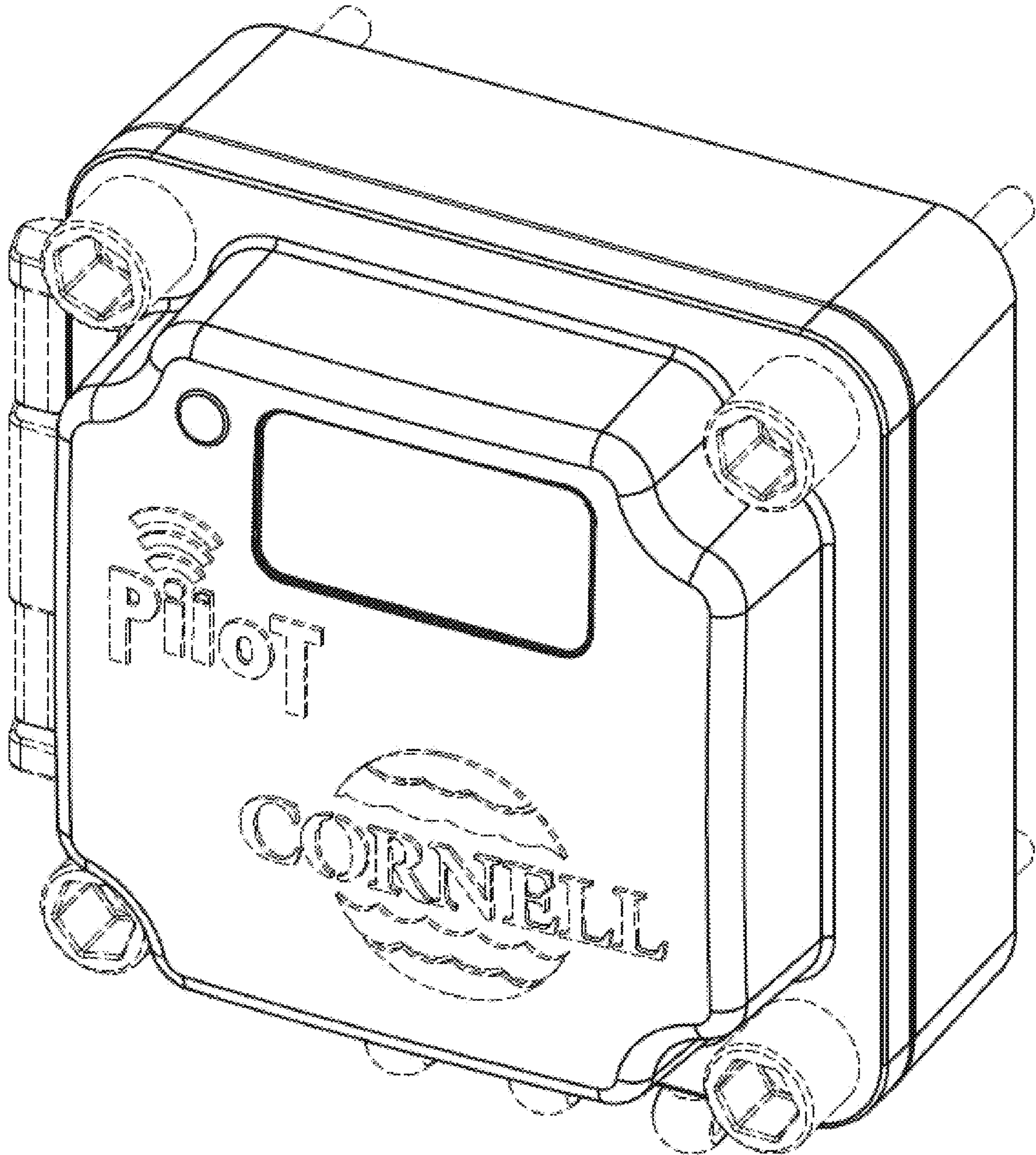
D725,506 S \* 3/2015 Bucheder ..... D10/49  
D732,988 S \* 6/2015 Bucheder ..... D10/49  
9,127,678 B2 9/2015 Gomez et al.  
9,330,560 B2 5/2016 Lawson  
D879,052 S \* 3/2020 Kremer ..... D13/162  
2014/0028462 A1 1/2014 Lawson  
2019/0041846 A1 2/2019 Cella et al.

FOREIGN PATENT DOCUMENTS

GB 2338848 A 12/1999  
GB 2553299 A 3/2018  
IN 201621044490 A 1/2017  
JP 2009116420 A 5/2009  
WO 0126068 A1 4/2001  
WO 200126335 A2 4/2001  
WO 2014082074 A2 5/2014  
WO 2017184158 A1 10/2017

\* cited by examiner





**FIG. 1**

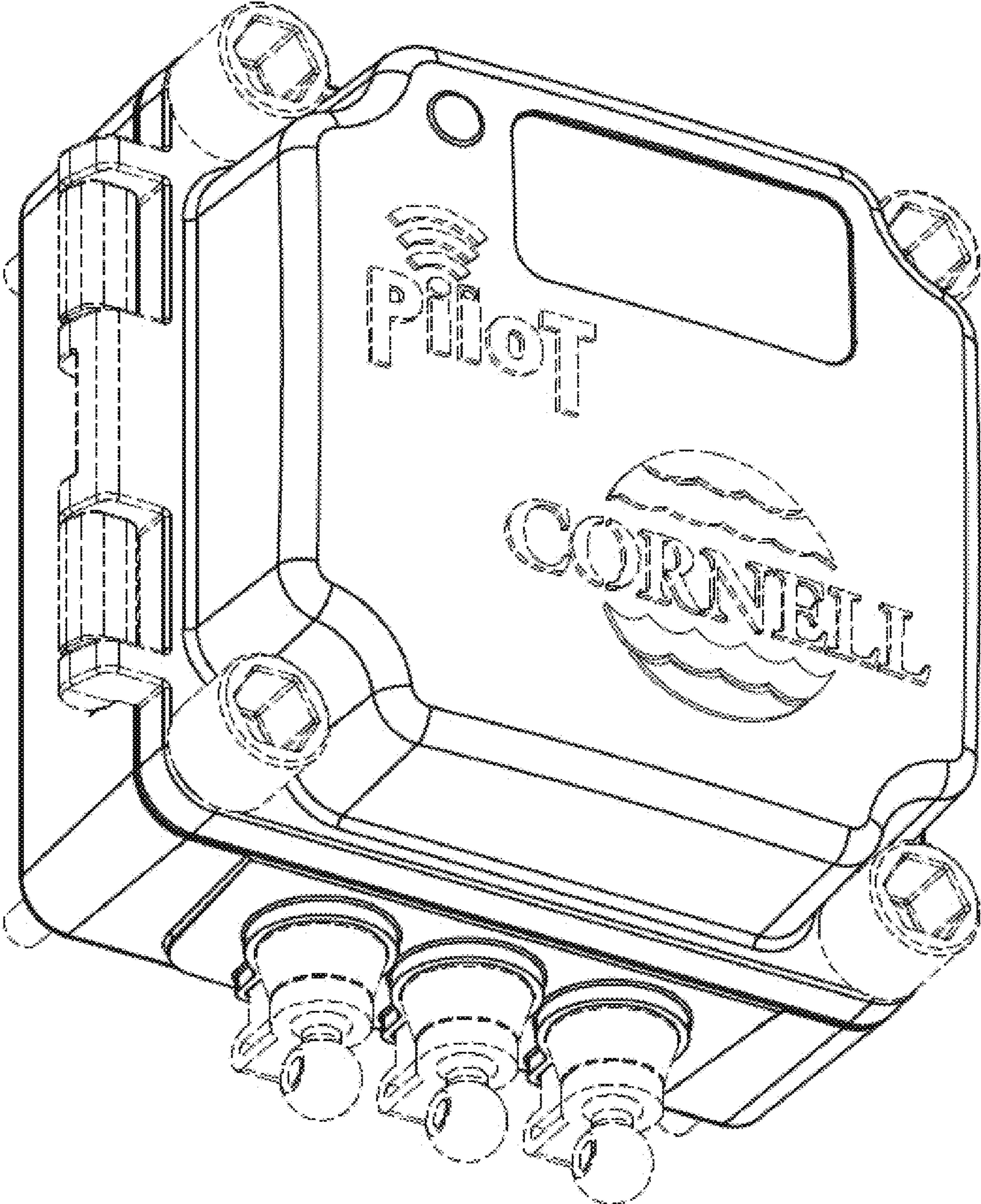


FIG. 2



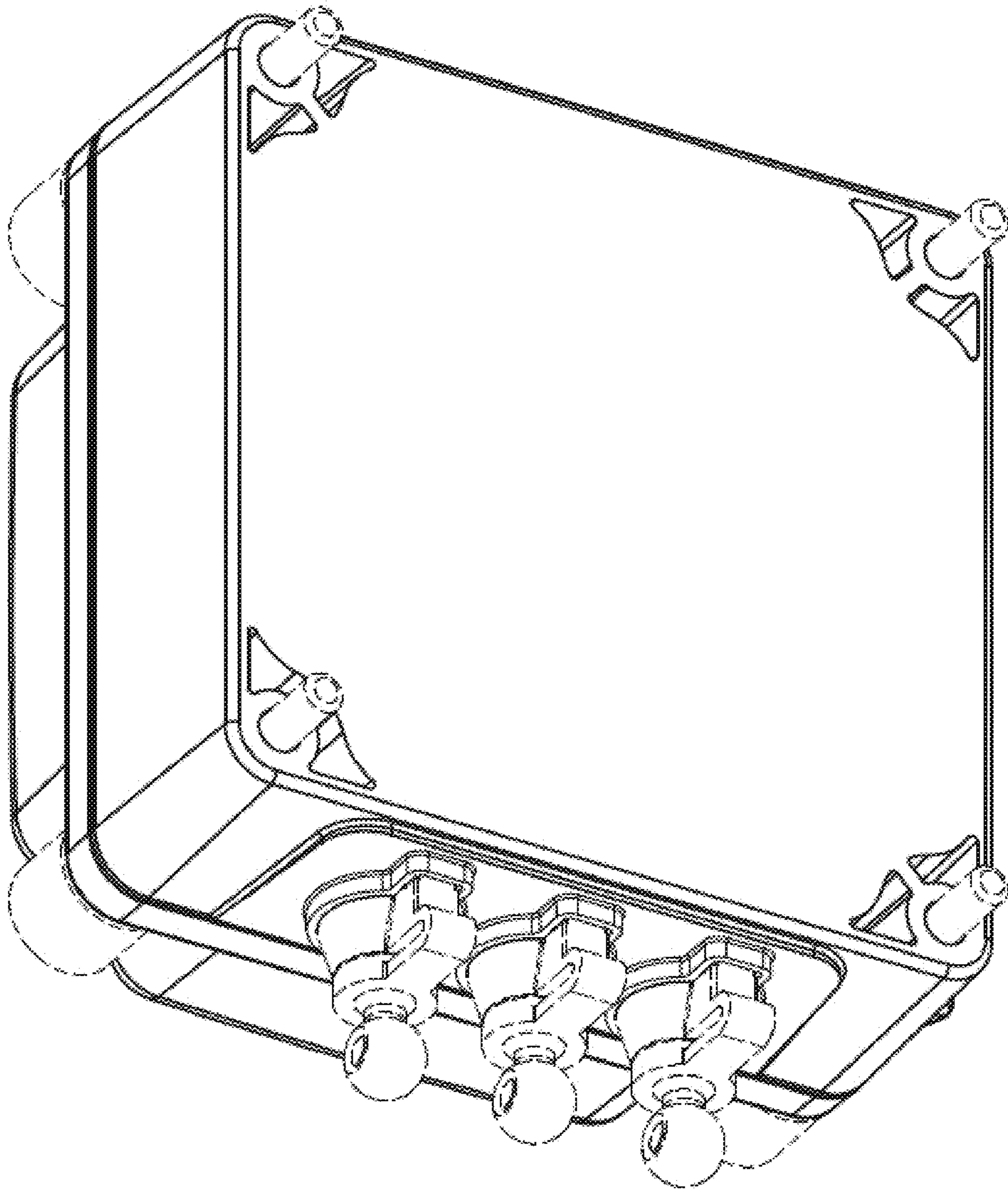


FIG. 3

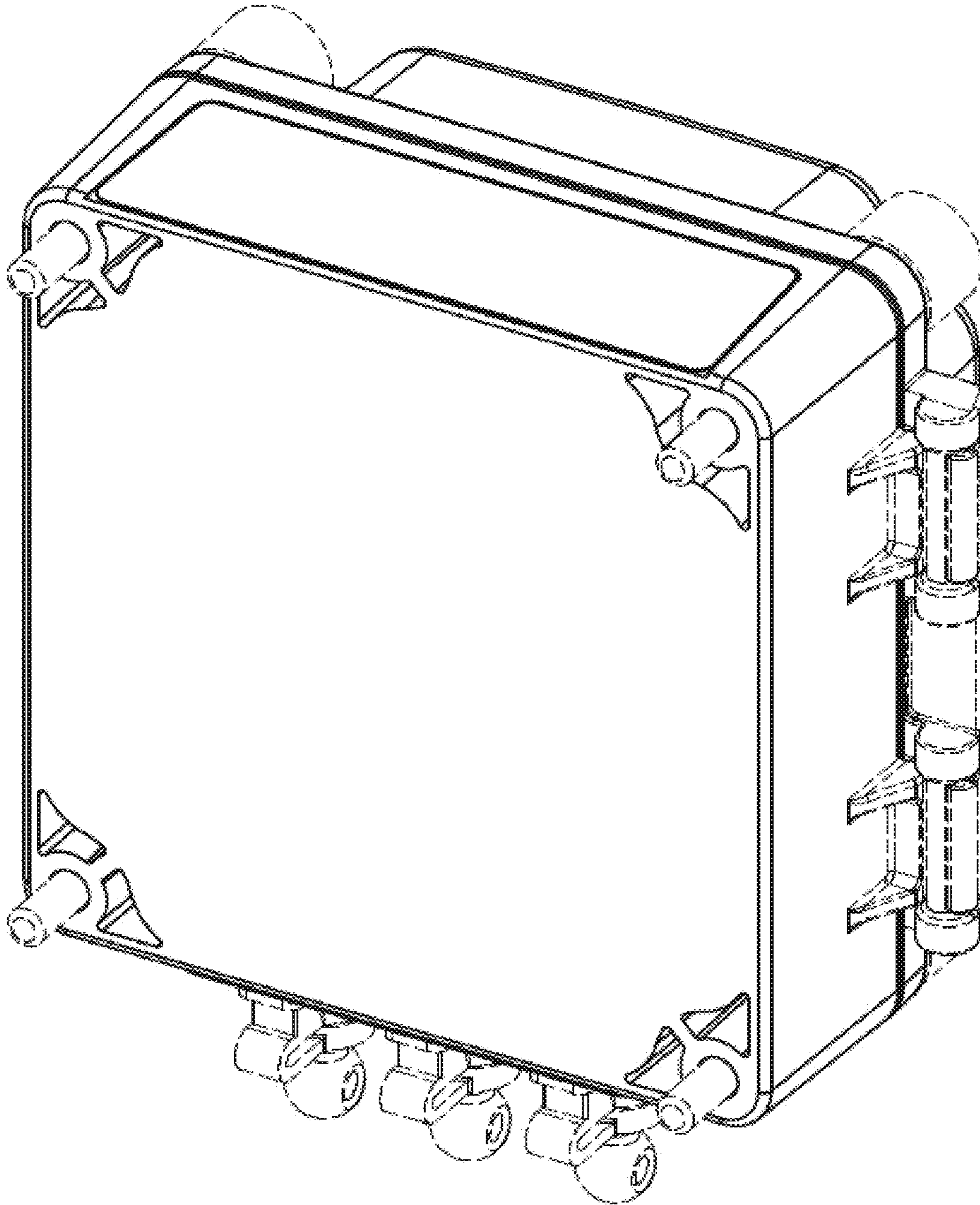


FIG. 4