



US00D910464S

(12) **United States Design Patent** (10) **Patent No.:** **US D910,464 S**  
**Roost et al.** (45) **Date of Patent:** **\*\* Feb. 16, 2021**

(54) **CUP SCALE**

(71) Applicant: **Pet Fusion, LLC**, Fanwood, NJ (US)

(72) Inventors: **Andrew Roost**, Fanwood, NJ (US);  
**Theodore Elliott**, Bentleyville, OH (US)

(73) Assignee: **PET FUSION, LLC**, Fanwood, NJ (US)

(\*\*) Term: **15 Years**

(21) Appl. No.: **29/681,529**

(22) Filed: **Feb. 26, 2019**

(51) **LOC (13) Cl.** ..... **10-04**

(52) **U.S. Cl.**  
USPC ..... **D10/46.2; D10/91**

(58) **Field of Classification Search**  
USPC ..... D10/46.2, 87, 91  
CPC .... G01G 19/56; G01G 21/28; G01G 23/3728;  
G01F 19/00; G01F 23/20  
See application file for complete search history.

(56) **References Cited**

**U.S. PATENT DOCUMENTS**

374,759 A	12/1887	Segog	
3,562,277 A	2/1971	Ackeret	
D394,984 S *	6/1998	Andrieu	D10/88
D472,173 S *	3/2003	Bouhuys	D10/91
D565,445 S *	4/2008	Shymko	D10/87
8,191,737 B2 *	6/2012	Schneider	G01F 19/00 222/305
D676,339 S *	2/2013	Lion	D10/46.2
2010/0089152 A1	4/2010	Kolada et al.	

**FOREIGN PATENT DOCUMENTS**

WO 2009098077 A1 8/2009

**OTHER PUBLICATIONS**

“Eco4us-Dual Function-Digital Kitchen Scale with Removable Measuring Cup, 11 Pounds/5kg Capacity, Large Volume 1.5L Remov-

able Measuring Cup”. Found online Jan. 30, 2019 at amazon.com. Page dated Jan. 15, 2017. Retrieved from [http://www.amazon.com/Eco4us-Function-Removable-Measuring-Capacity/dp/B01MZE1DL5?ref=fsclp\\_pl\\_dp\\_7](http://www.amazon.com/Eco4us-Function-Removable-Measuring-Capacity/dp/B01MZE1DL5?ref=fsclp_pl_dp_7).

(Continued)

*Primary Examiner* — Antoine Duval Davis

(74) *Attorney, Agent, or Firm* — Myers Wolin, LLC

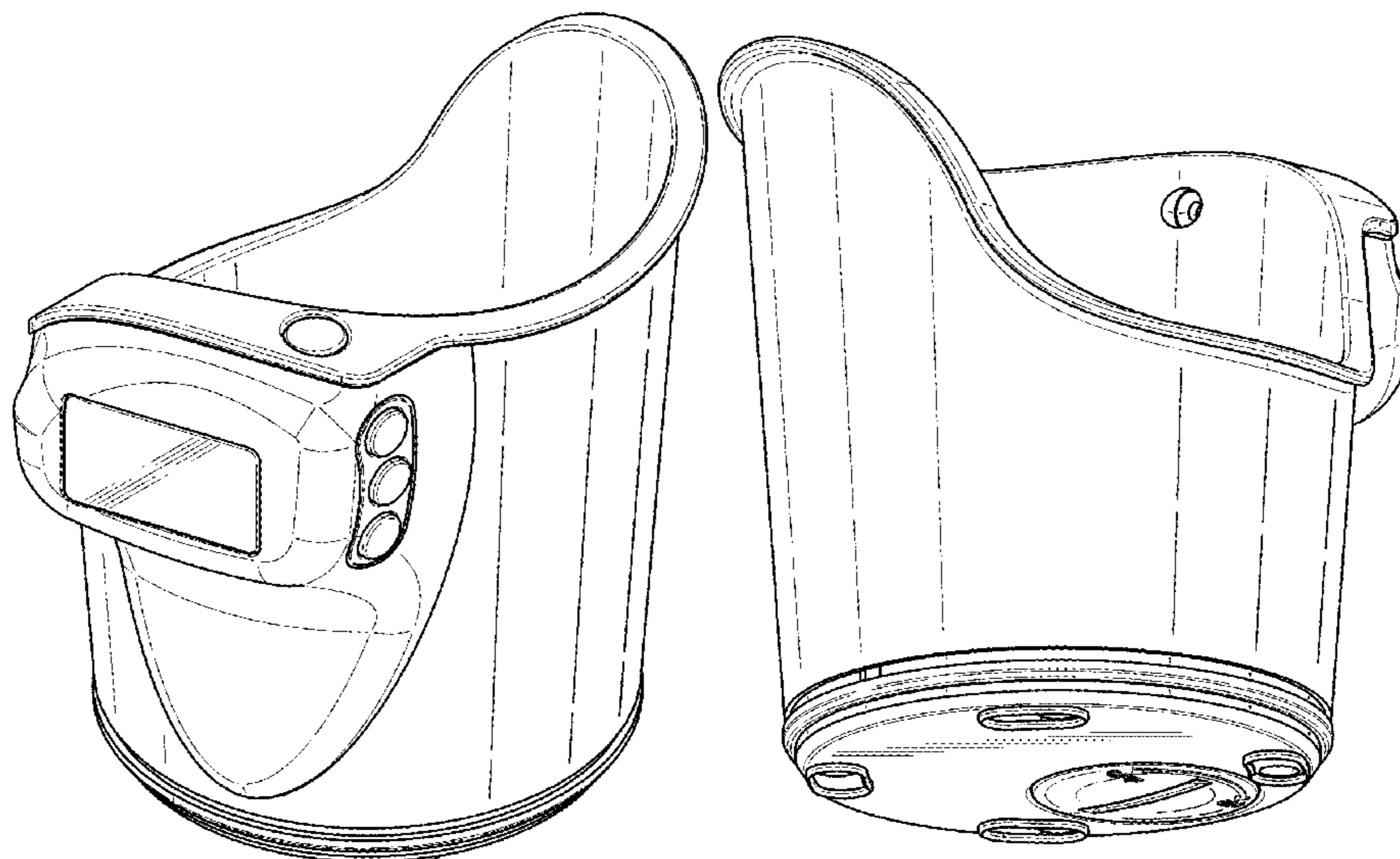
(57) **CLAIM**

The ornamental design for a cup scale, as shown and described.

**DESCRIPTION**

FIG. 1 is a front top perspective view of one embodiment of a cup scale showing our new design; FIG. 2 is a rear bottom perspective view thereof; FIG. 3 is a rear top perspective view thereof; FIG. 4 is a front elevation view thereof; FIG. 5 is a rear elevation view thereof; FIG. 6 is a left side elevation view thereof; FIG. 7 is a right side elevation view thereof; FIG. 8 is a top view thereof; FIG. 9 is a bottom view thereof; FIG. 10 is a front top perspective view of one embodiment of a cup scale showing our new design; FIG. 11 is a rear bottom perspective view thereof; FIG. 12 is a rear top perspective view thereof; FIG. 13 is a front elevation view thereof; FIG. 14 is a rear elevation view thereof; FIG. 15 is a left side elevation view thereof; FIG. 16 is a right side elevation view thereof; FIG. 17 is a top view thereof; and, FIG. 18 is a bottom view thereof. The dotted lines are for illustrative purposes only and form no part of the claimed design.

**1 Claim, 16 Drawing Sheets**



(56)

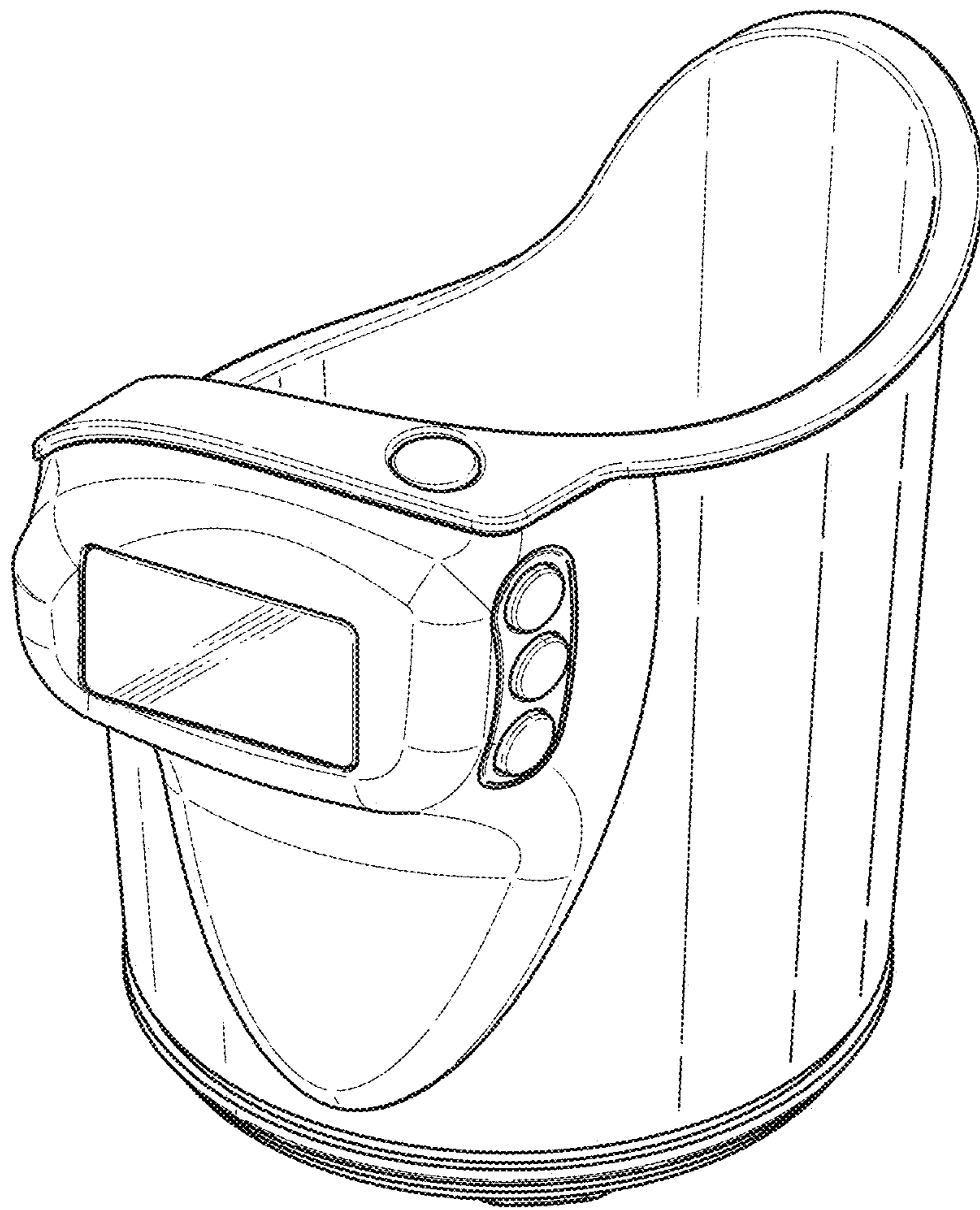
**References Cited**

OTHER PUBLICATIONS

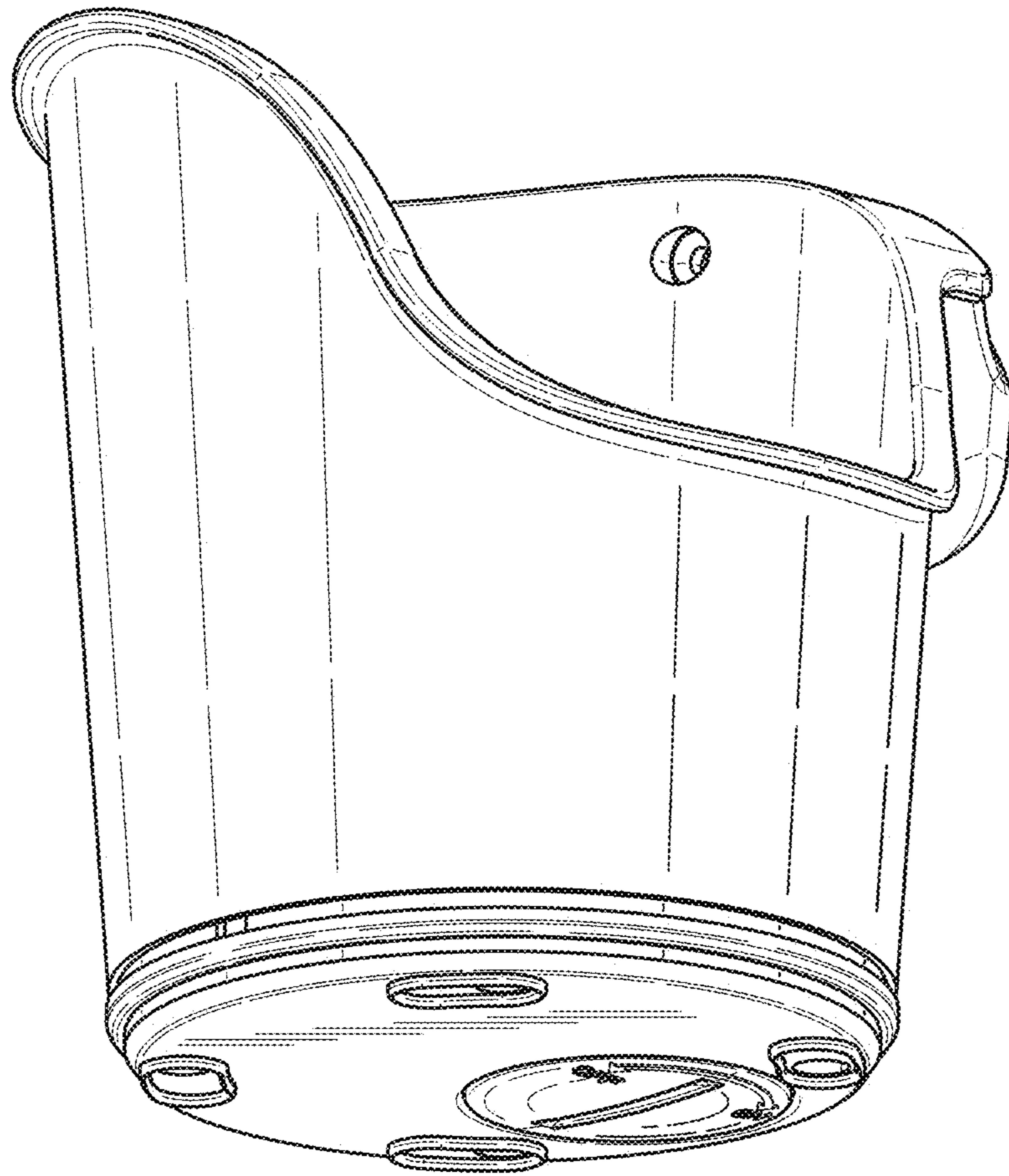
“11lb/5kg Precision Digital Kitchen Food Scale with Stainlee Steel Mixing Bowl, 5 Measuring Modes, Backlit LCD Display (Black)”. Found online Jan. 30, 2019 at amazon.com. Page dated Jul. 30, 2015. Retrieved from [http://www.amazon.com/Precision-Digital-Kitchen-Stainless-Measuring/dp/B012ZSQV34?ref=bl\\_dp\\_s\\_web\\_8420942011](http://www.amazon.com/Precision-Digital-Kitchen-Stainless-Measuring/dp/B012ZSQV34?ref=bl_dp_s_web_8420942011).

“Eyenimal Intelligent Pet Bowl”. Found online Jan. 30, 2019 at amazon.com. Page dated Mar. 15, 2016. Retrieved from <http://www.amazon.com/Eyenimal-NGGAM003-Intelligent-bowl-white/dp/B00F97L6KW>.

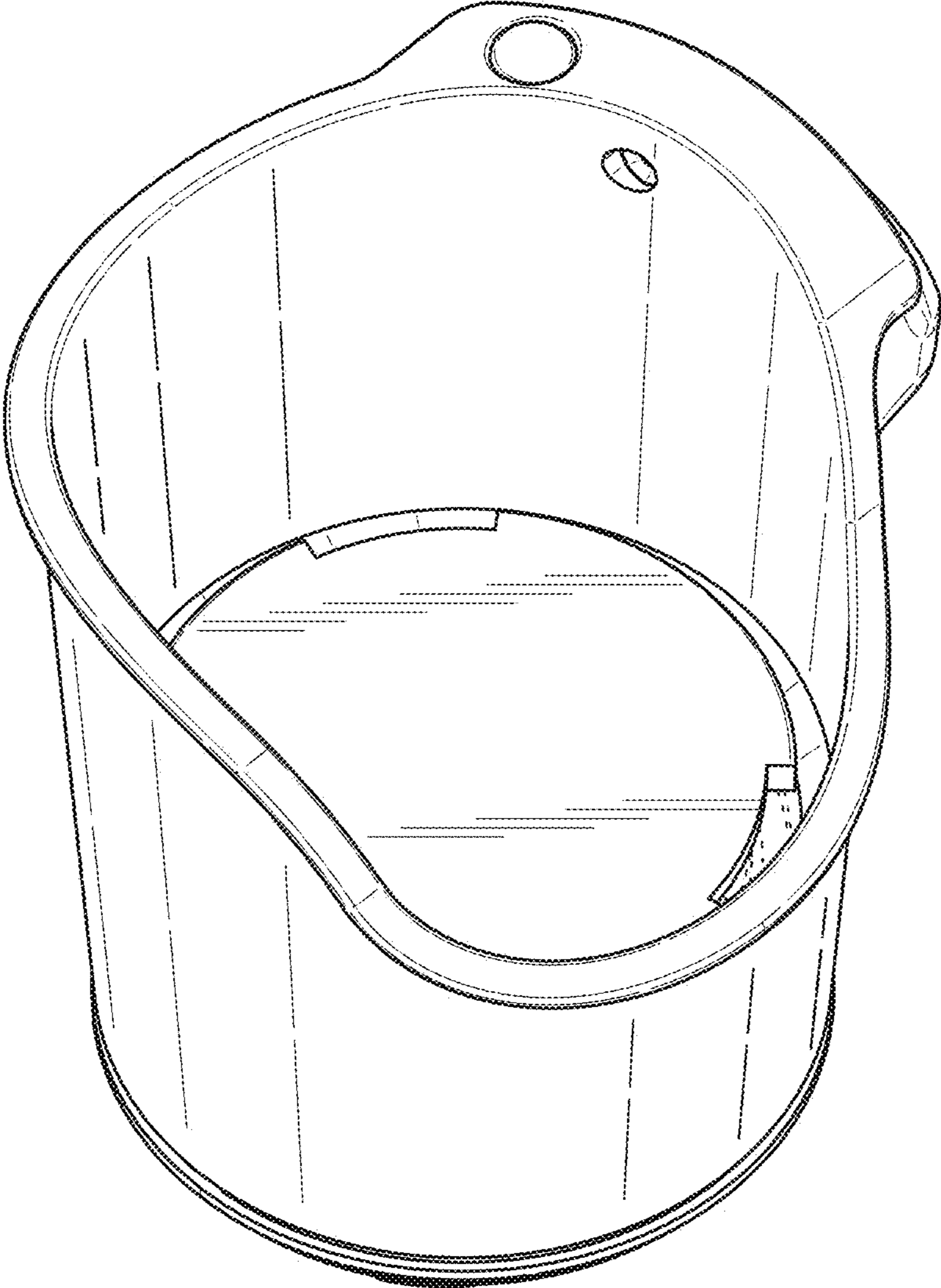
\* cited by examiner



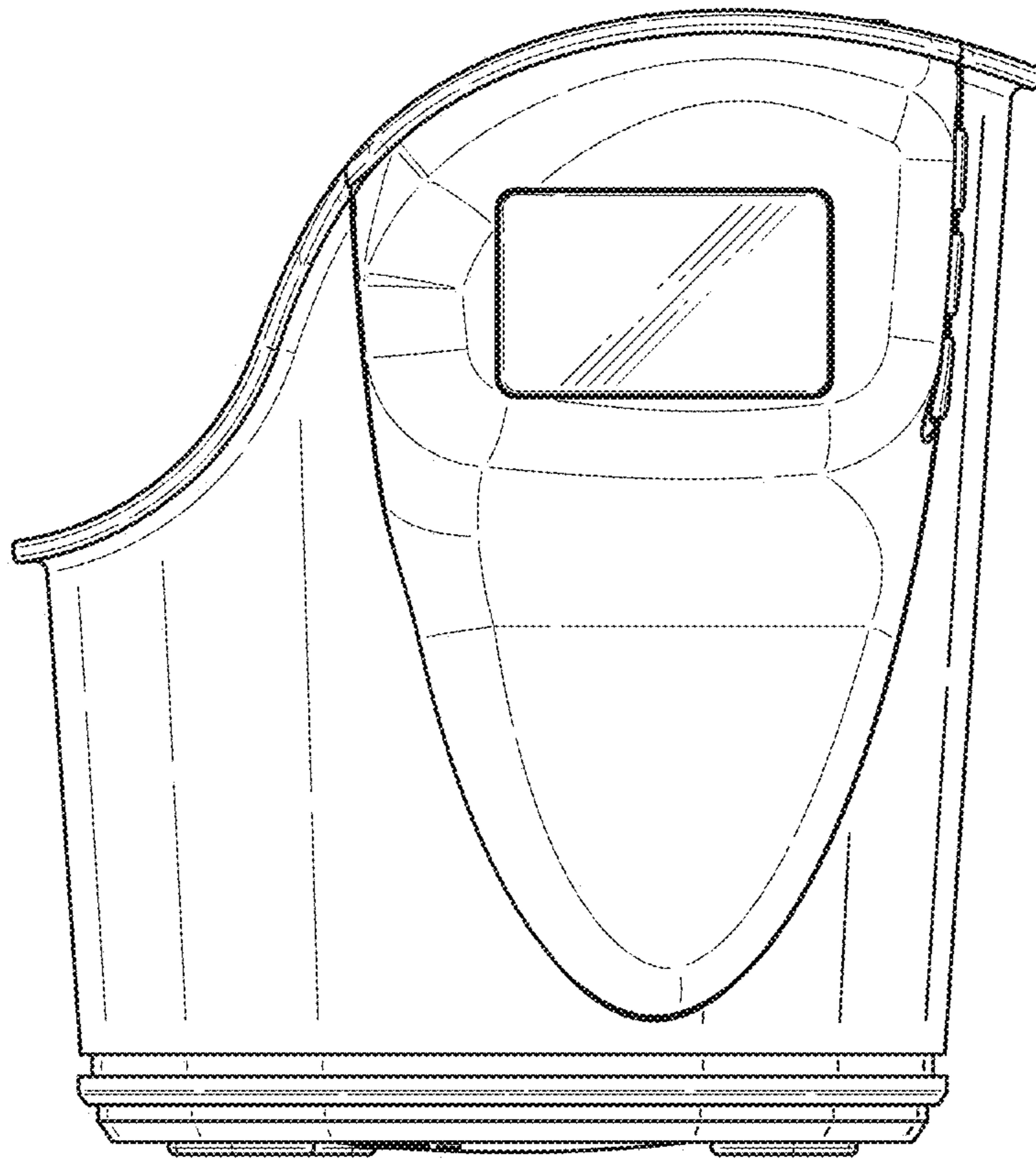
*FIG. 1*



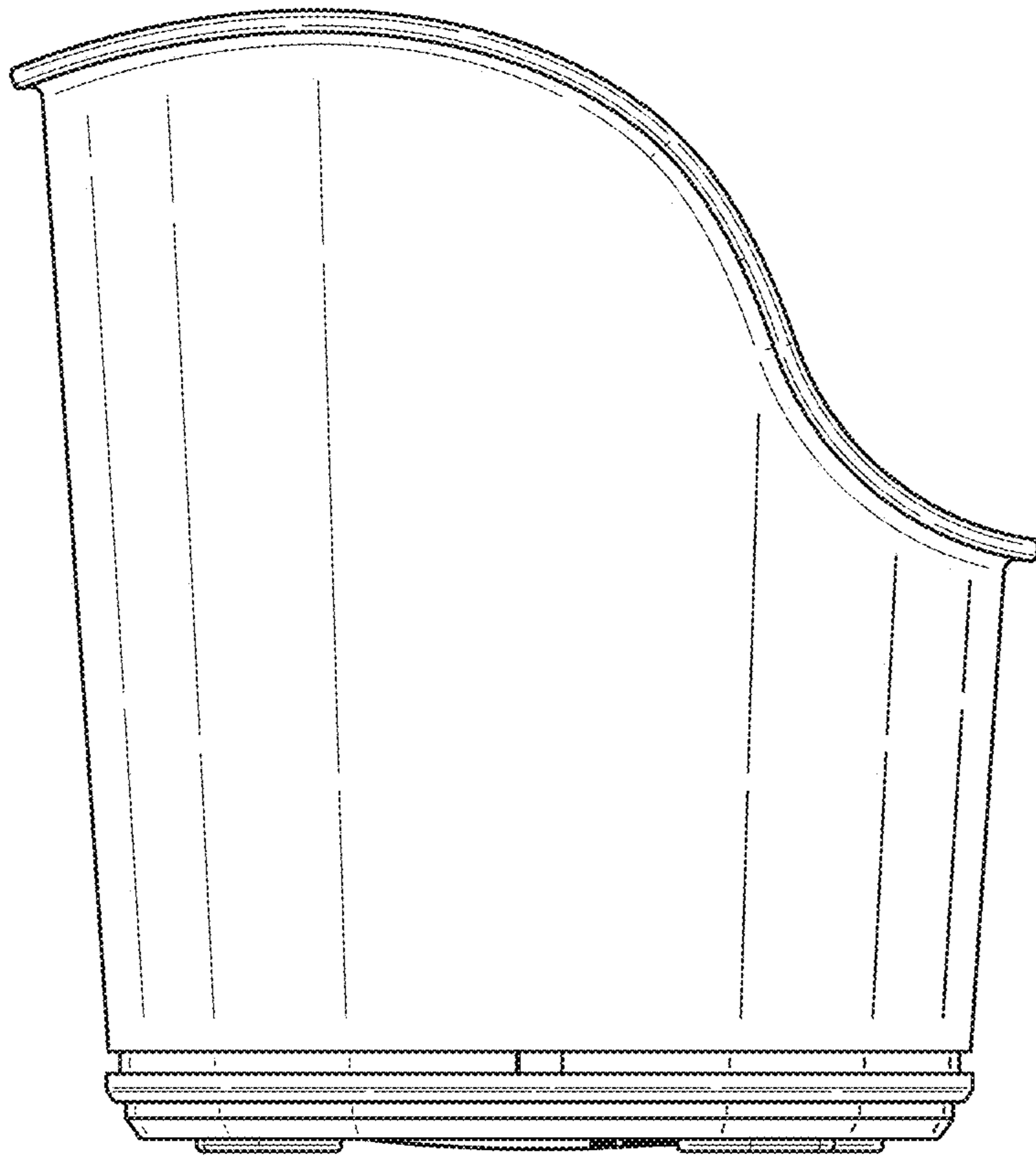
*FIG. 2*



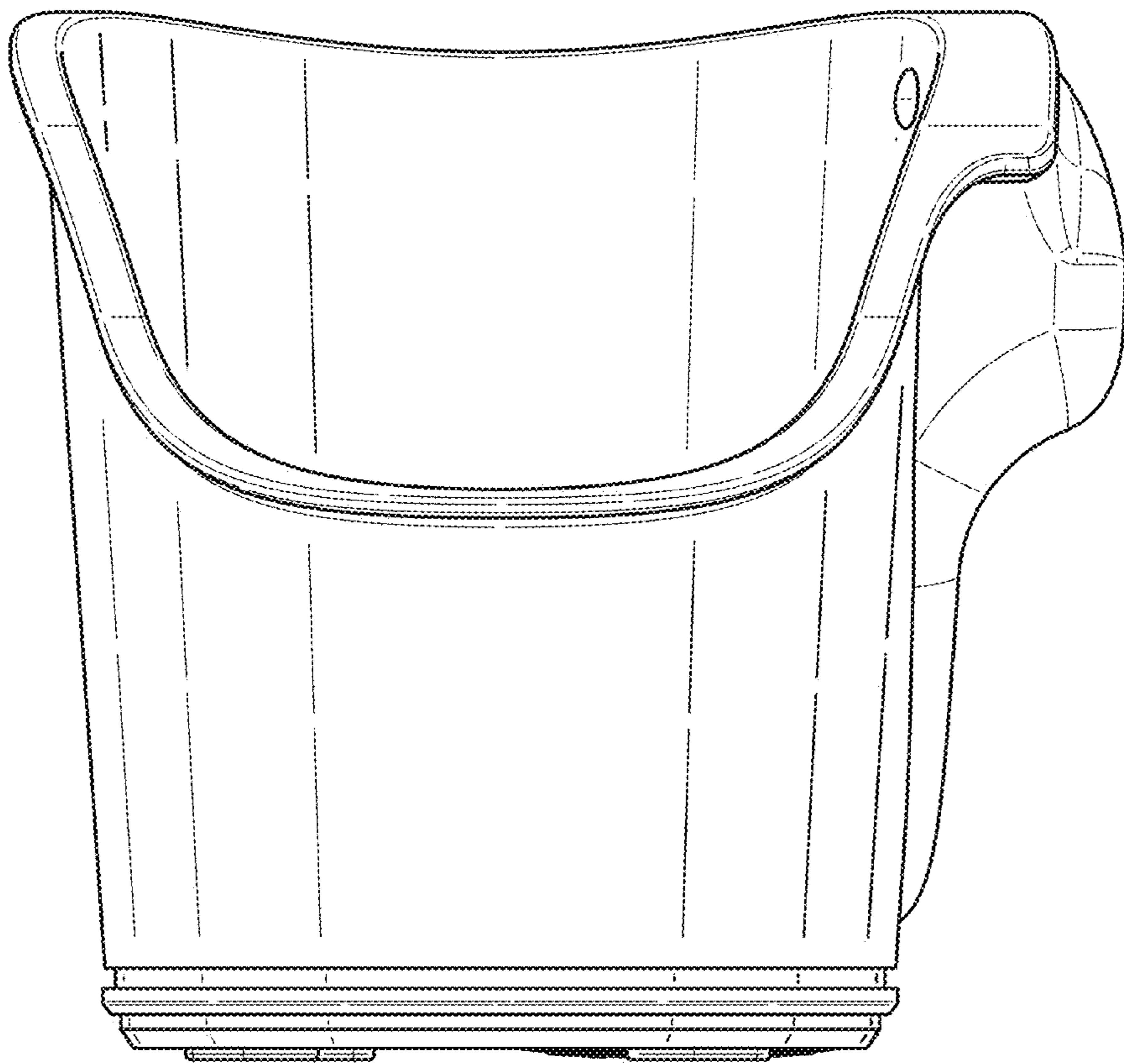
*FIG. 3*



*FIG. 4*

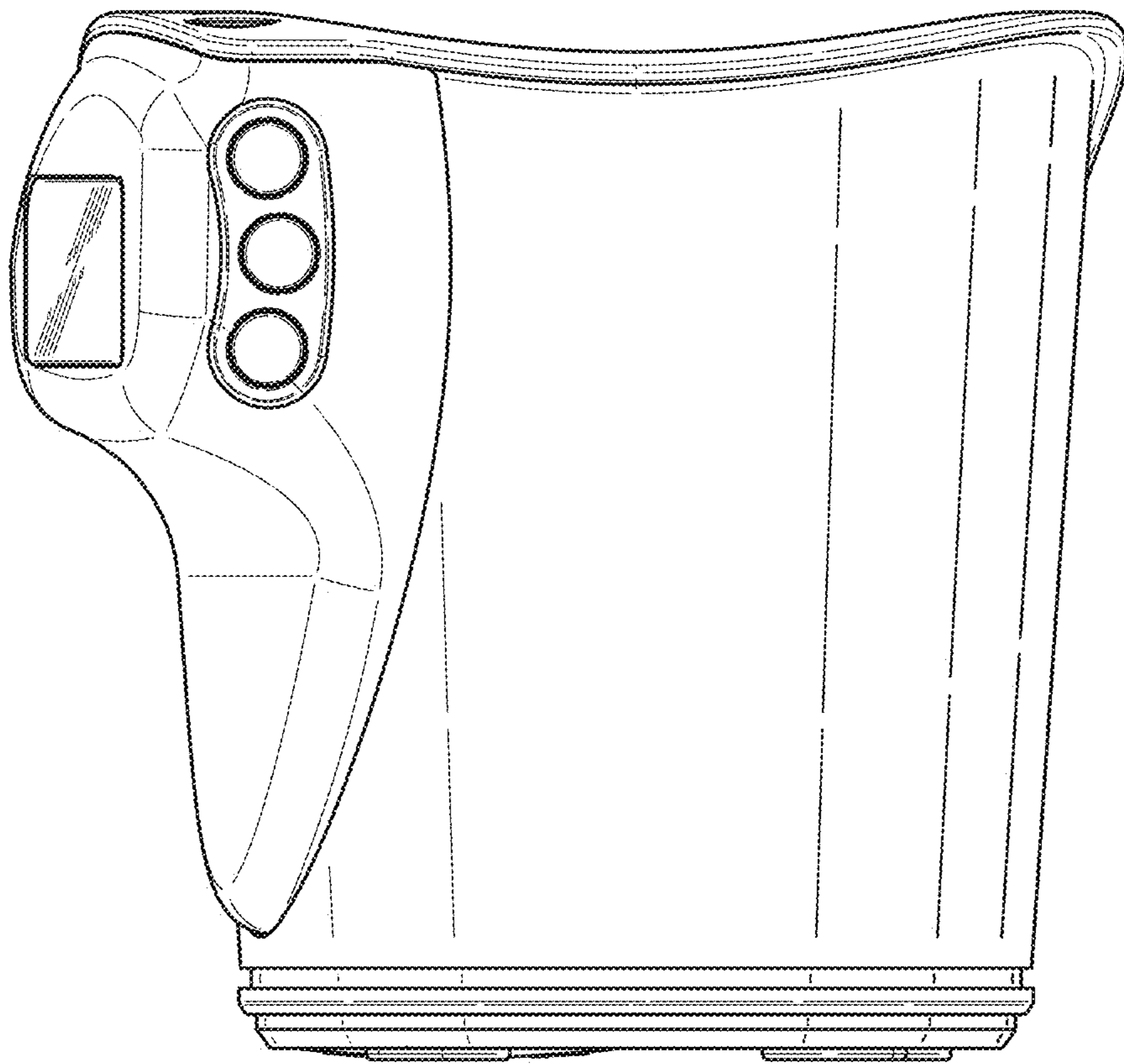


*FIG. 5*

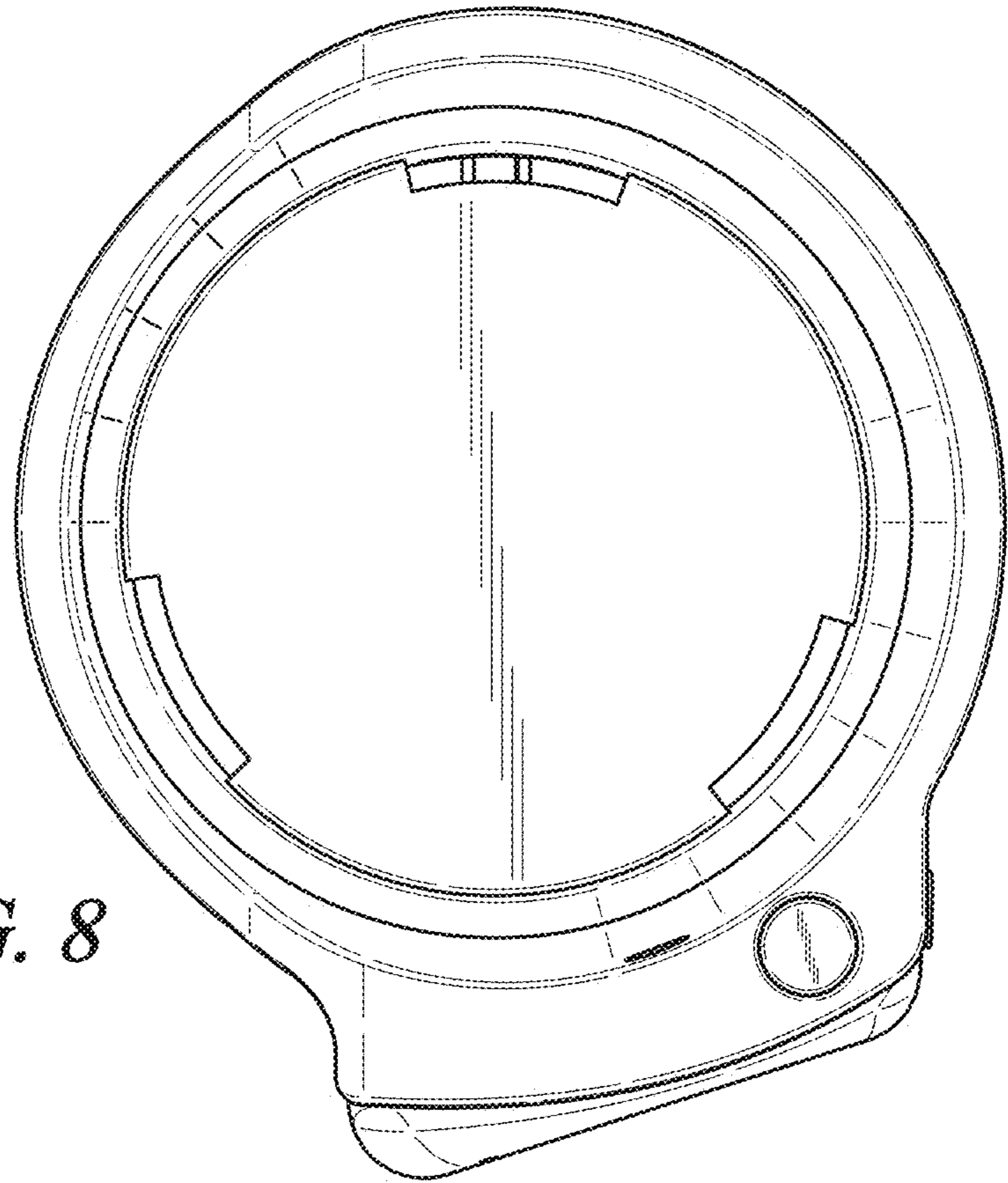


*FIG. 6*

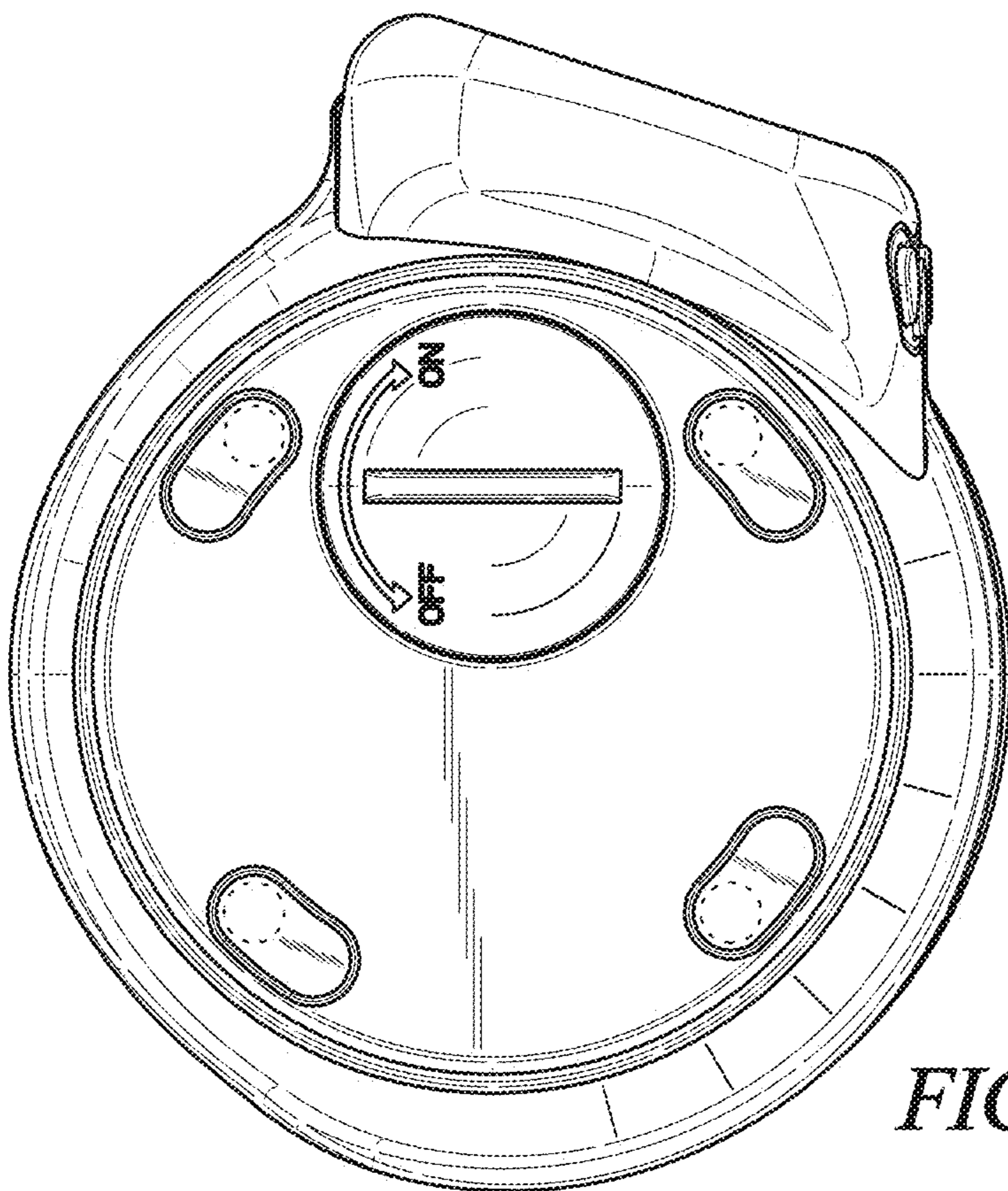




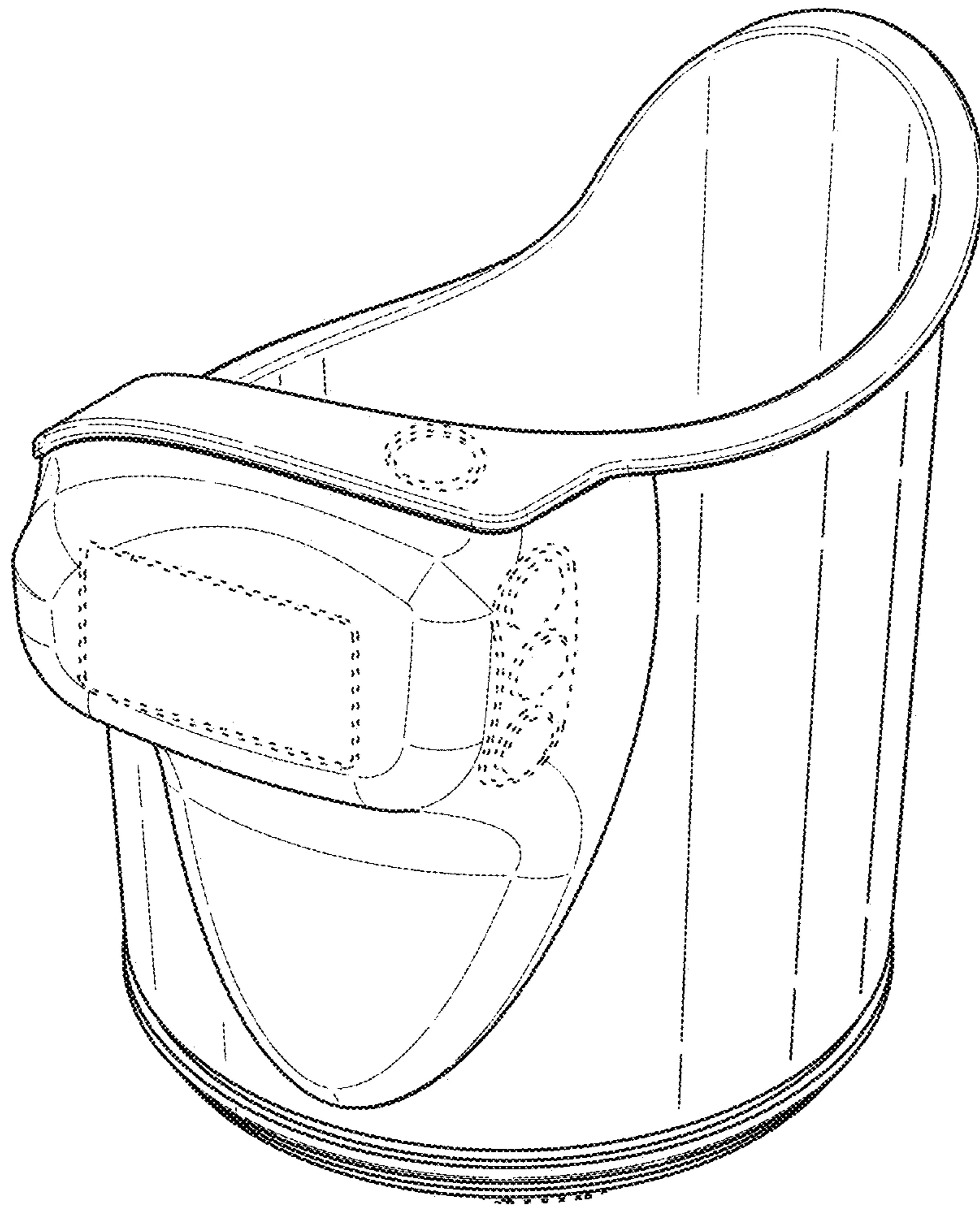
*FIG. 7*



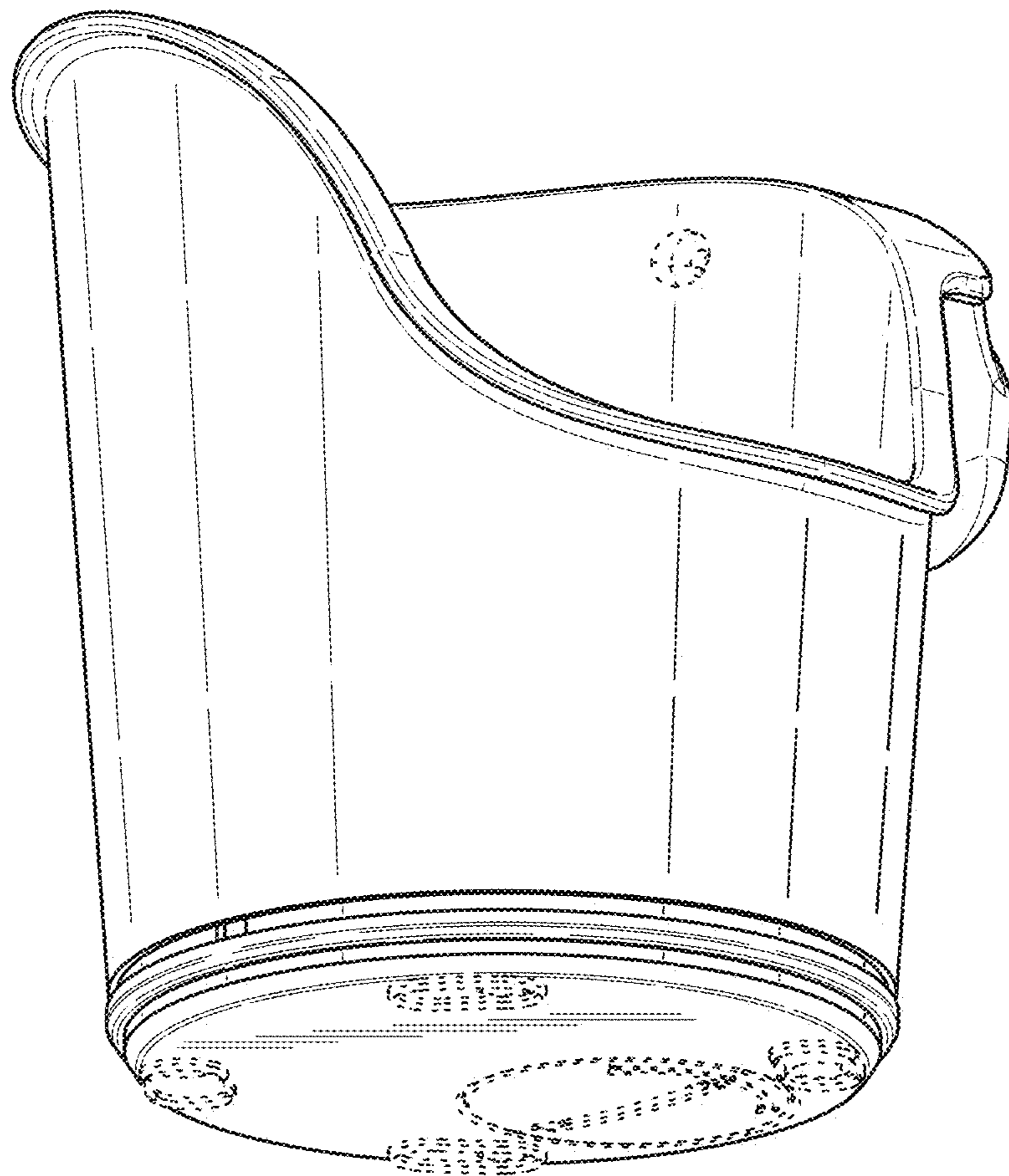
*FIG. 8*



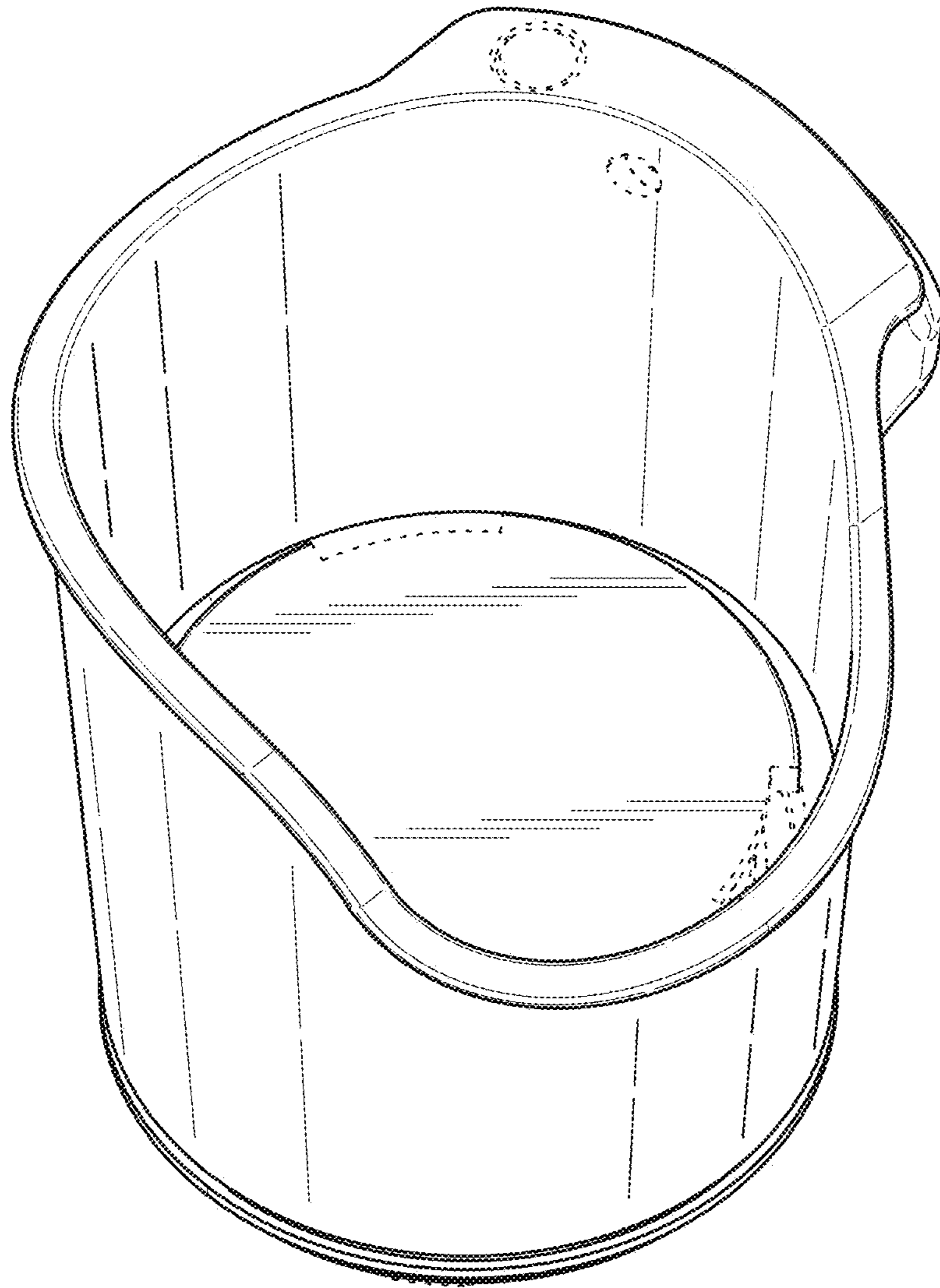
*FIG. 9*



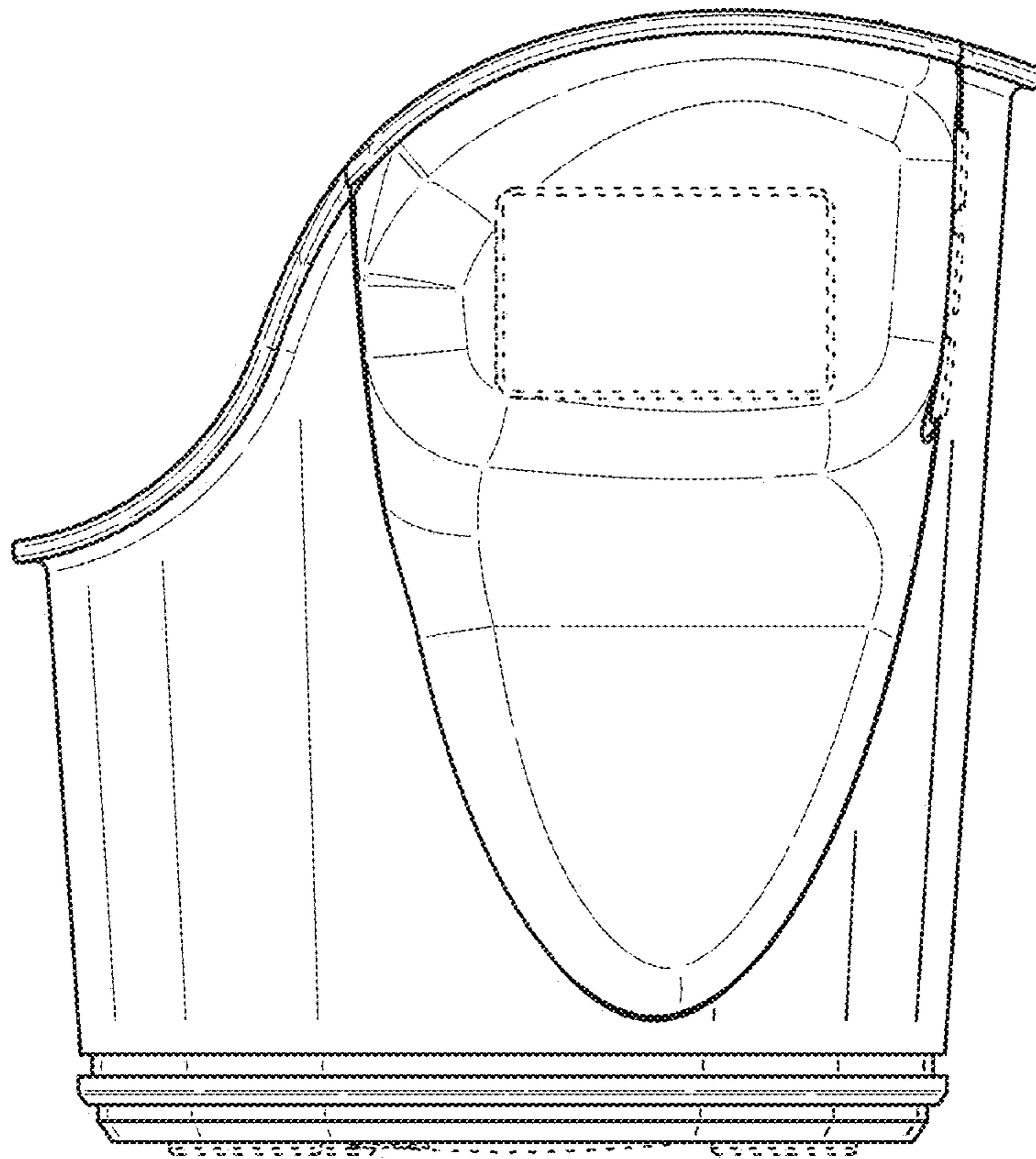
*FIG. 10*



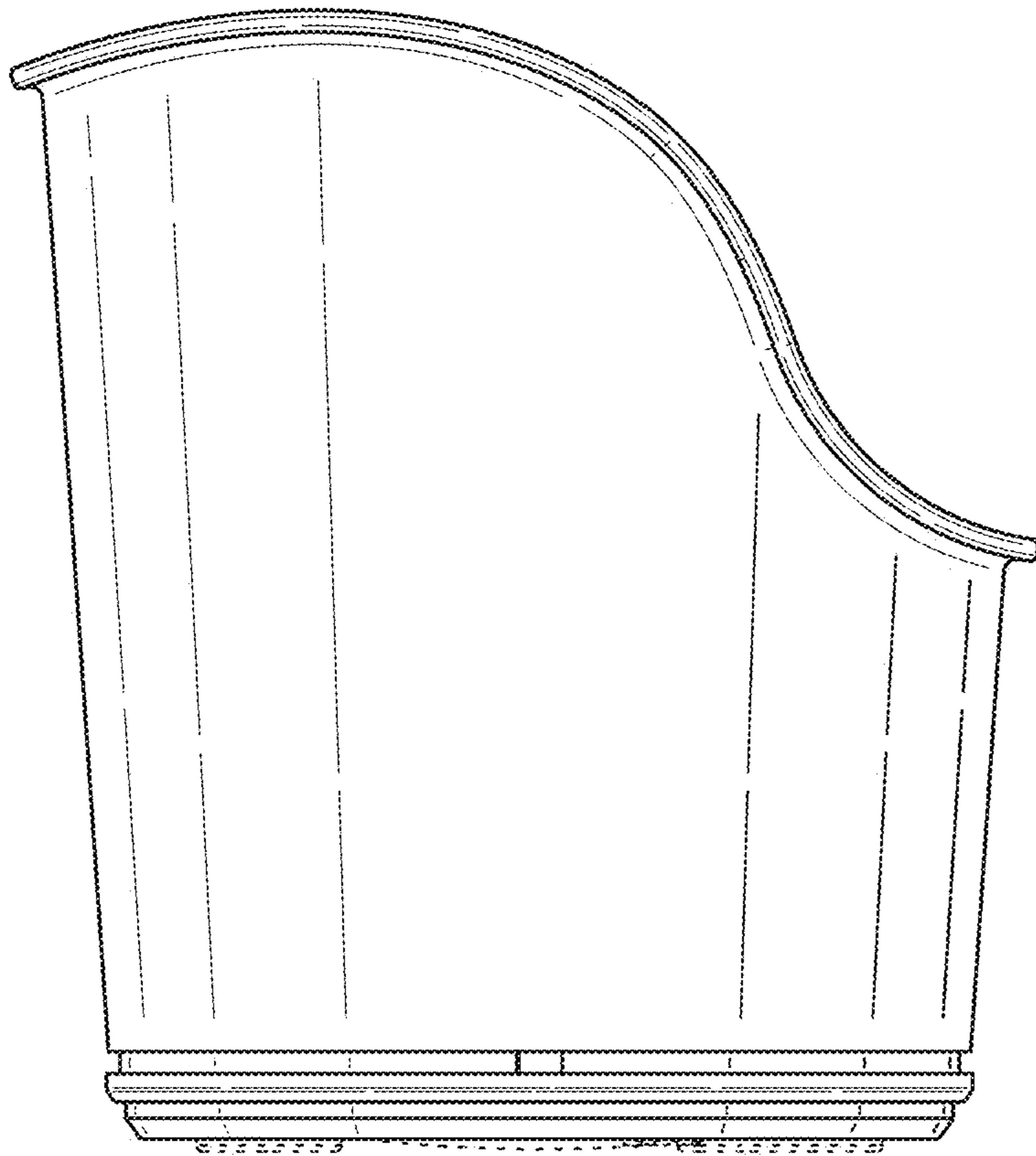
*FIG. 11*



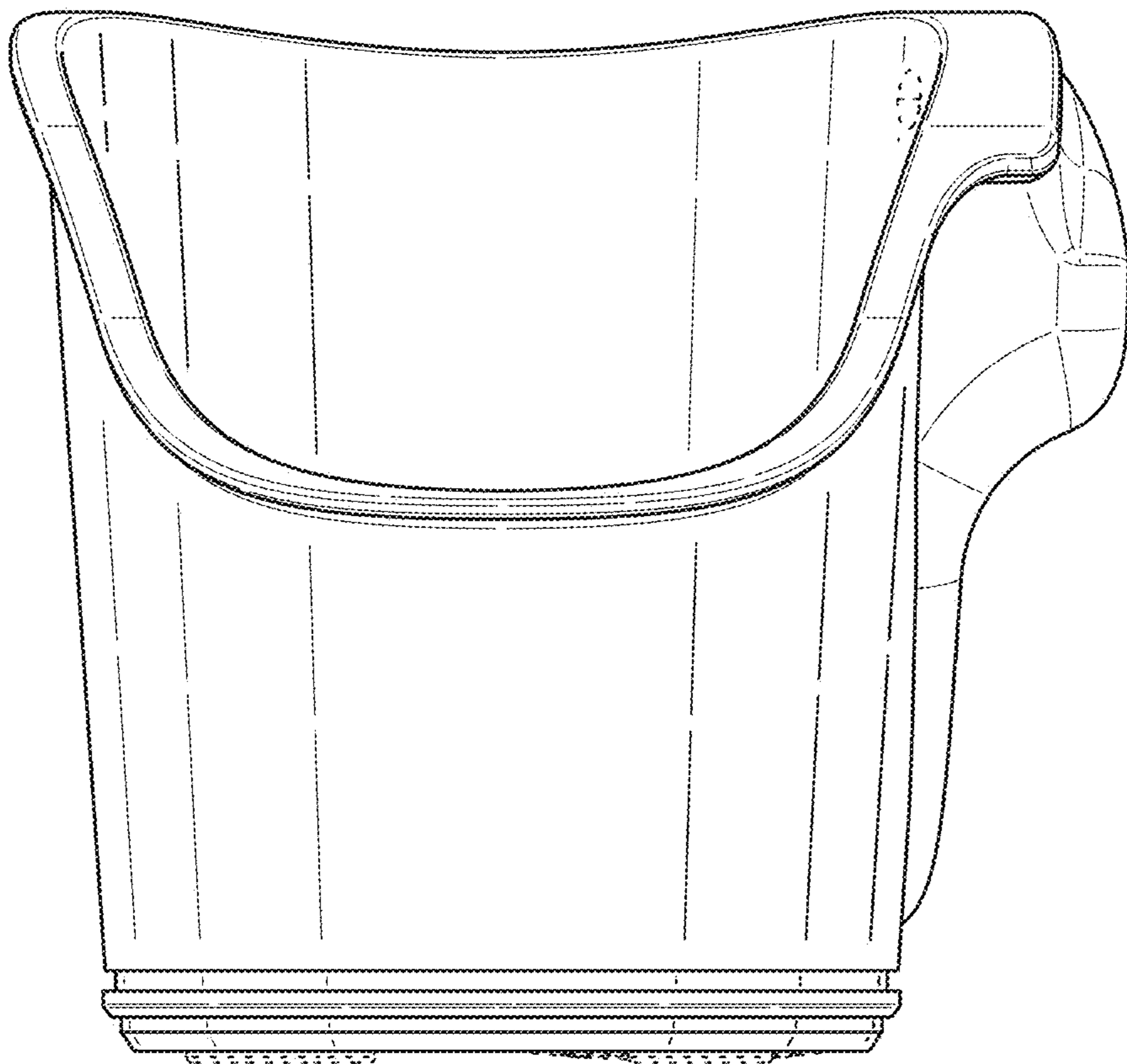
*FIG. 12*



*FIG. 13*

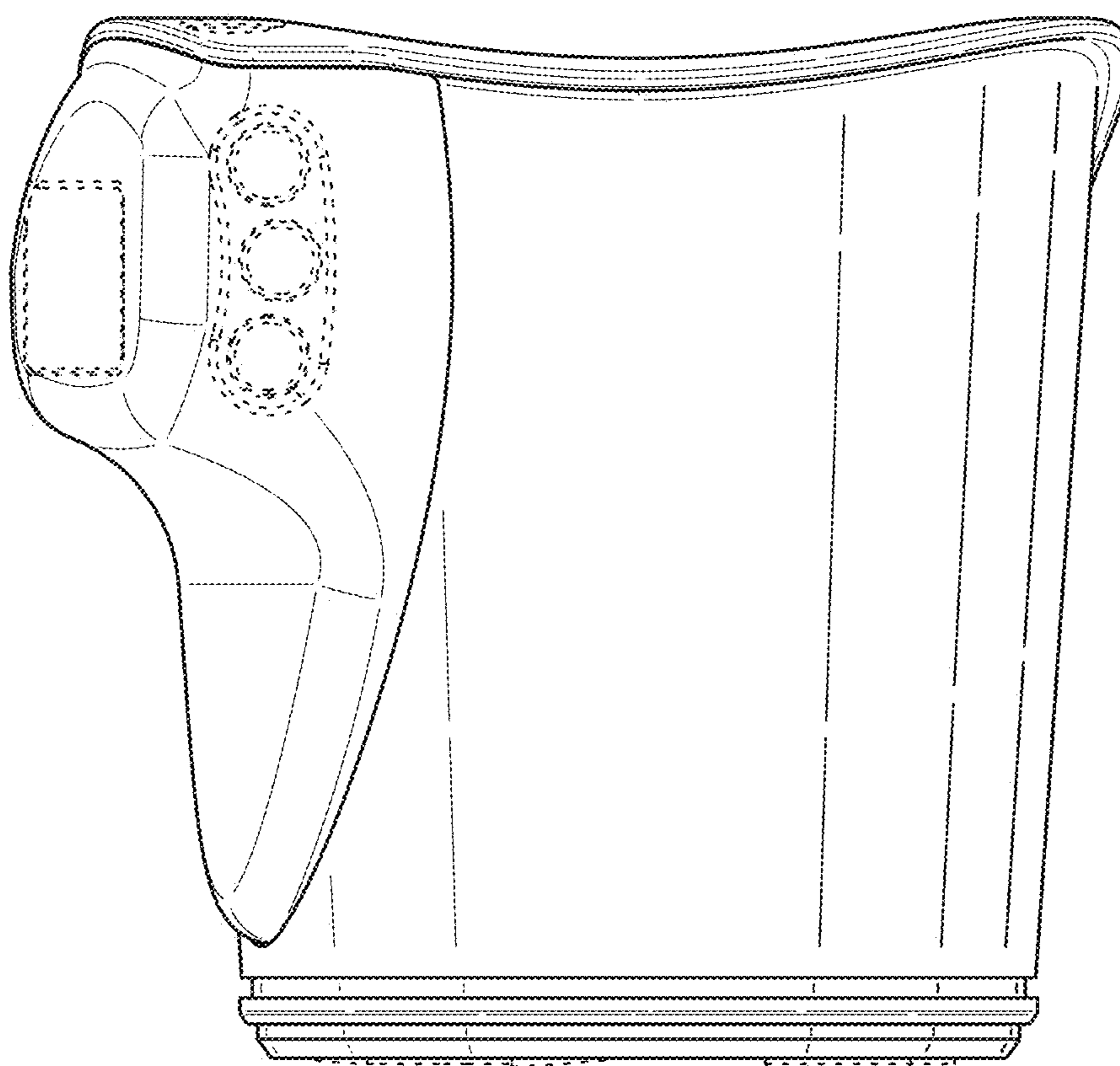


*FIG. 14*

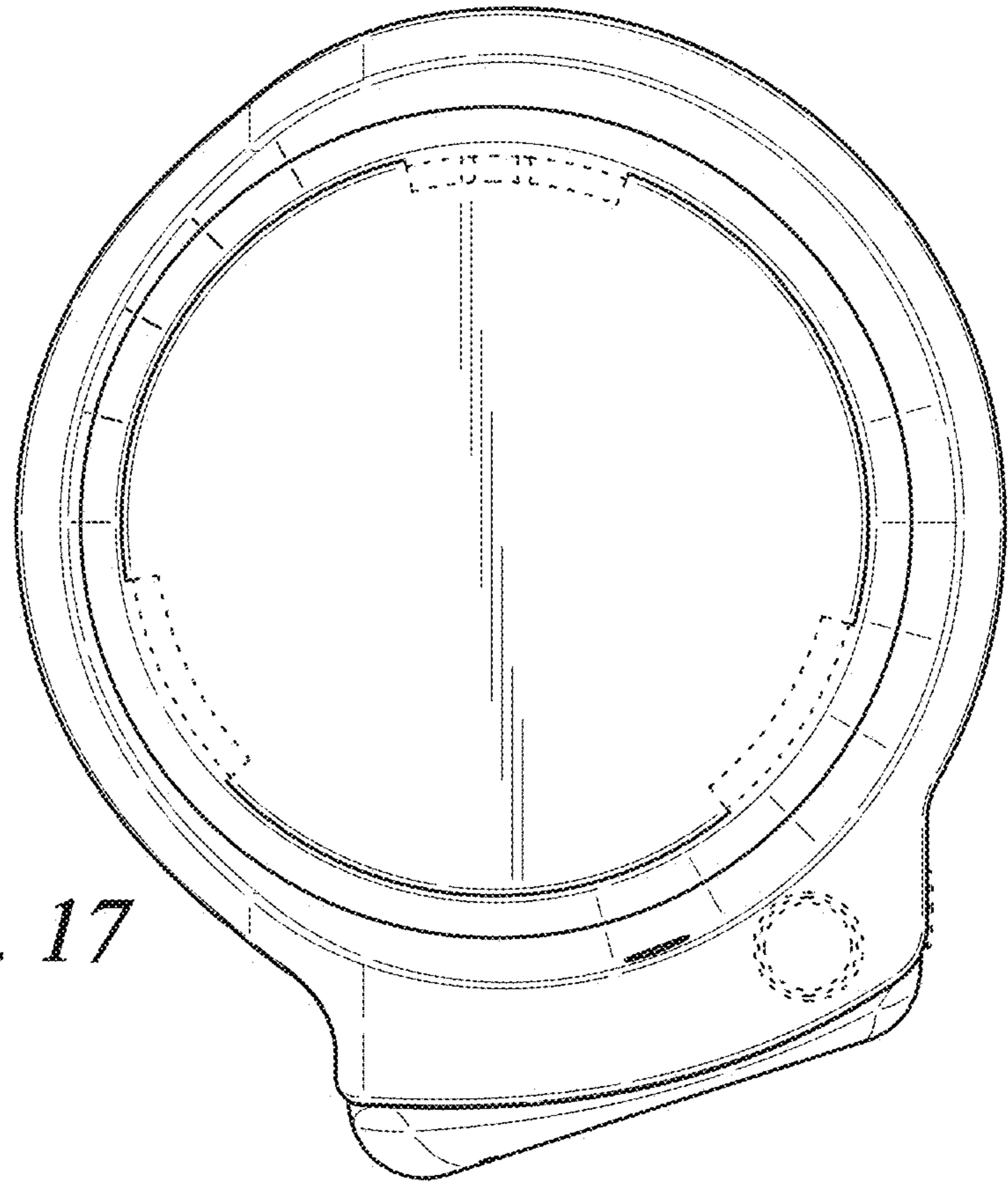


*FIG. 15*

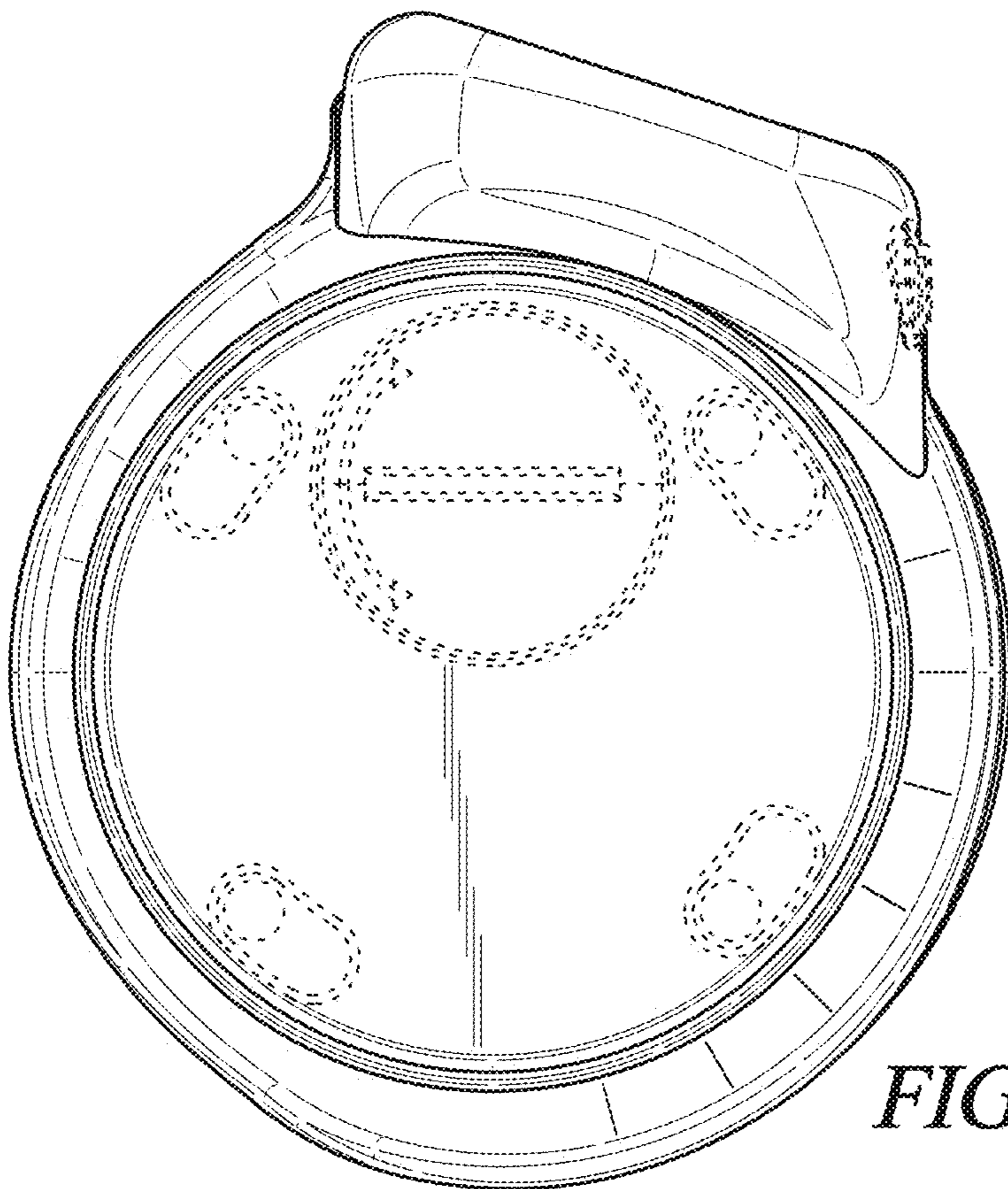




*FIG. 16*



*FIG. 17*



*FIG. 18*