



US00D910462S

(12) **United States Design Patent** (10) **Patent No.:** **US D910,462 S**
Aboabdo (45) **Date of Patent:** **** *Feb. 16, 2021**

(54) **DISPENSING BOTTLE AND CAP IN COMBINATION**

(71) Applicant: **Chubby Gorilla, Inc.**, Santa Fe Springs, CA (US)

(72) Inventor: **Eyad Aboabdo**, Fullerton, CA (US)

(73) Assignee: **Chubby Gorilla, Inc.**, Fullerton, CA (US)

(*) Notice: This patent is subject to a terminal disclaimer.

(**) Term: **15 Years**

(21) Appl. No.: **29/689,607**

(22) Filed: **Apr. 30, 2019**

Related U.S. Application Data

(63) Continuation of application No. 29/655,623, filed on Jul. 5, 2018, now Pat. No. Des. 855,476, and a (Continued)

(51) **LOC (13) Cl.** **09-01**

(52) **U.S. Cl.**
USPC **D9/724; D9/558; D9/453**

(58) **Field of Classification Search**
USPC D9/434, 435, 444-445, 449, 452-454, D9/500-505, 516, 519, 521-526,
(Continued)

(56) **References Cited**

U.S. PATENT DOCUMENTS

D199,545 S 11/1964 Torongo et al.
3,398,848 A 8/1968 Donovan
(Continued)

FOREIGN PATENT DOCUMENTS

JP 1362412 6/2009
JP 1429123 12/2011
(Continued)

OTHER PUBLICATIONS

Cycles of Use PET dropper Bottle Unicorn Dropper bottle, posted at amazon.com, posted Jun. 11, 2017, © 1996-2017, Amazon.com

[online], [site visited Sep. 20, 2017], Available from Internet, URL:https://www.amazon.com/dropper-Unicorn-Dropper-applicator-dispensor/dp/B071SGRSPX/ref=sr_1_18_sspa?ie=UTF8&qid=1505927843&sr=8-18-spons&keywords=chubby+gorilla+unlc.

(Continued)

Primary Examiner — Lilyana Bekic

Assistant Examiner — Mary Shannon Malley

(74) *Attorney, Agent, or Firm* — Knobbe, Martens, Olson & Bear, LLP

(57) **CLAIM**

The ornamental design for a dispensing bottle and cap in combination, as shown and described.

DESCRIPTION

FIG. 1 is a perspective view of a first embodiment of a dispensing bottle and cap in combination according to the present design.

FIG. 2 is an elevation view thereof.

FIG. 3 is a top plan view thereof.

FIG. 4 is a bottom plan view thereof.

FIG. 5 is a perspective view of a second embodiment of a dispensing bottle and cap in combination according to the present design.

FIG. 6 is an elevation view thereof.

FIG. 7 is a top plan view thereof.

FIG. 8 is a bottom plan view thereof.

FIG. 9 is a perspective view of a third embodiment of a dispensing bottle and cap in combination according to the present design.

FIG. 10 is an elevation view thereof.

FIG. 11 is a top plan view thereof.

FIG. 12 is a bottom plan view thereof.

FIG. 13 is a perspective view of a fourth embodiment of a dispensing bottle and cap in combination according to the present design.

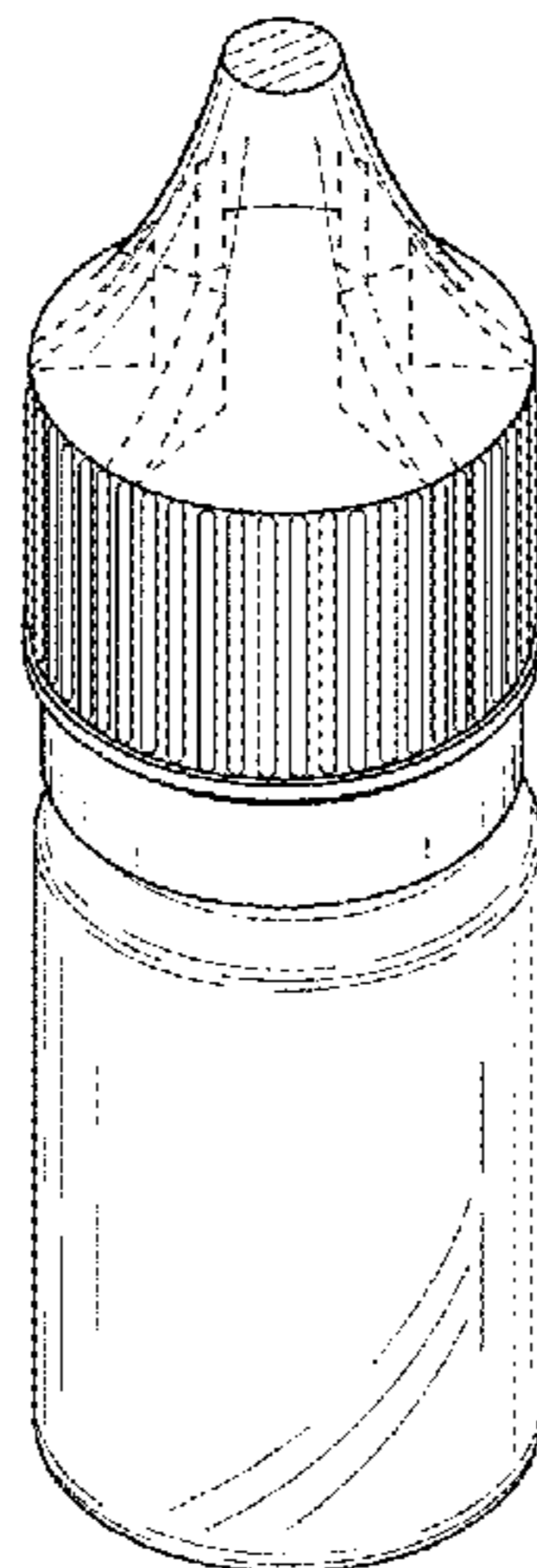
FIG. 14 is an elevation view thereof.

FIG. 15 is a top plan view thereof; and,

FIG. 16 is a bottom plan view thereof.

The broken lines depict portions of the dispensing bottle and cap in combination that form no part of the claimed design.

1 Claim, 8 Drawing Sheets



Related U.S. Application Data

continuation of application No. 29/655,619, filed on Jul. 5, 2018, now Pat. No. Des. 860,004, said application No. 29/655,623 is a continuation of application No. 29/573,527, filed on Aug. 6, 2016, now Pat. No. Des. 834,950, said application No. 29/655,619 is a continuation of application No. 29/573,527, filed on Aug. 6, 2016, now Pat. No. Des. 834,950.

(58) **Field of Classification Search**

USPC D9/529–530, 535, 537–546, 548–575, D9/682–694, 723–729; D7/300, 598; 215/379, 381–385; 220/660, 662, 220/669–673, 675
 CPC B65D 1/0223; B65D 2501/0036; B65D 79/005; B65D 23/102; B65D 2501/0027; B65D 23/0814; B65D 1/0233; B65D 1/095; B65D 2251/023; B65D 2255/20; B65D 41/0485; B65D 47/122; B65C 3/08
 See application file for complete search history.

(56) **References Cited**

U.S. PATENT DOCUMENTS

D221,132 S	7/1971	Schiavone
D259,172 S	5/1981	Ross
D264,938 S	6/1982	Stock
D264,939 S	6/1982	Stock
D264,940 S	6/1982	Stock
D264,941 S	6/1982	Stock
4,371,088 A	2/1983	Gach
D277,736 S	2/1985	Long
D279,080 S	6/1985	Negishi
D280,492 S	9/1985	Greaves
4,632,264 A	12/1986	Evans
4,635,806 A	1/1987	Williamson
4,705,181 A	11/1987	Burke et al.
D310,969 S	10/1990	Butler
5,020,681 A	6/1991	Kusz
5,115,928 A	5/1992	Drummond, Jr.
5,263,615 A	11/1993	Anderson
5,314,085 A	5/1994	Collado Bonet
5,324,481 A	6/1994	Dunn et al.
D354,914 S	1/1995	Newman
D356,597 S	3/1995	Gray
D357,865 S	5/1995	Hansen
D362,623 S	9/1995	Ma
5,462,200 A	10/1995	Weiler
D368,425 S	4/1996	Newell
5,543,115 A	8/1996	Karakawa
5,676,268 A	10/1997	King
D405,371 S	2/1999	Herr
D411,109 S	6/1999	Suto
D412,107 S	7/1999	Bosshardt
D416,793 S	11/1999	Faughey
6,202,869 B1	3/2001	Sullivan
D451,396 S	12/2001	Johnson et al.

6,334,557 B1	1/2002	Yang	
D491,469 S	6/2004	Horie	
7,051,906 B2	5/2006	Kis et al.	
D524,037 S	7/2006	Van Horn	
7,178,703 B2	2/2007	Spada	
D551,569 S	9/2007	Tanaka	
7,334,694 B2	2/2008	Suffa	
D564,357 S	3/2008	Kapoor et al.	
7,563,256 B2	7/2009	Hearne	
D601,908 S	10/2009	Yun	
D603,710 S	11/2009	Wilson et al.	
D611,346 S	3/2010	Camomile	
7,677,417 B2	3/2010	Leiner	
D651,921 S	1/2012	Probst	
D653,950 S	2/2012	Ishizawa	
8,444,610 B2	5/2013	Grevin	
8,633,016 B2	1/2014	Parker	
8,673,242 B2	3/2014	Shick	
D704,052 S	5/2014	Yoshii et al.	
D705,070 S	5/2014	Zheng	
D732,400 S	6/2015	Hua	
D732,975 S	6/2015	Hua	
9,045,265 B2	6/2015	Adamczak	
D742,019 S	10/2015	Montgomery	
D768,506 S	10/2016	Hua	
D826,068 S	8/2018	Aboabdo	
D834,950 S	12/2018	Aboabdo	
D849,535 S *	5/2019	Spencer	D9/453
D855,476 S *	8/2019	Aboabdo	D9/724
D860,004 S *	9/2019	Aboabdo	D9/724
2003/0211616 A1	11/2003	Leong	
2004/0182814 A1	9/2004	Suffa	
2006/0111680 A1	5/2006	Spada	
2007/0042454 A1	2/2007	Nix	
2010/0167271 A1	7/2010	Ryan	
2011/0281342 A1	11/2011	Porsch et al.	
2017/0057710 A1	3/2017	Greiner-Perth et al.	

FOREIGN PATENT DOCUMENTS

TW	D113730	11/2006
TW	D148448	8/2012

OTHER PUBLICATIONS

Chubby Gorilla PET Bottles (3-Pack), posted at amazon.com, posted Jan. 31, 2017, © 1996-2017, Amazon.com,[online], [site visited Sep. 20, 2017]. Available from Internet, URL:https://www.amazon.com/Chubby-Gorilla-Bottles-3-Pack-Transparent/dp/B071HCL64L/ref=pd_sbs_201_1?encoding=UTF8&pd_rd_i=B071HCL64L&pd_rd_r=EE8F90ZD7DBQEXF5PEVF&pd_rd_w=olTEN&pd_rd_wg=ko.
 Chubby Gorilla Unicorn Bottles, dated as announced Sep. 30, 2016, [online], dated as site visited Sep. 3, 2020. Available from internet, URL: <http://www.amazon.com> (dated as Year: 2016).
 Huizhu Dropper Bottles, dated as announced Feb. 8, 2017, [online], dated as site visited Sep. 3, 2020. Available from Internet, URL: <http://www.amazon.com> (dated as Year: 2017)

* cited by examiner

Fig. 1

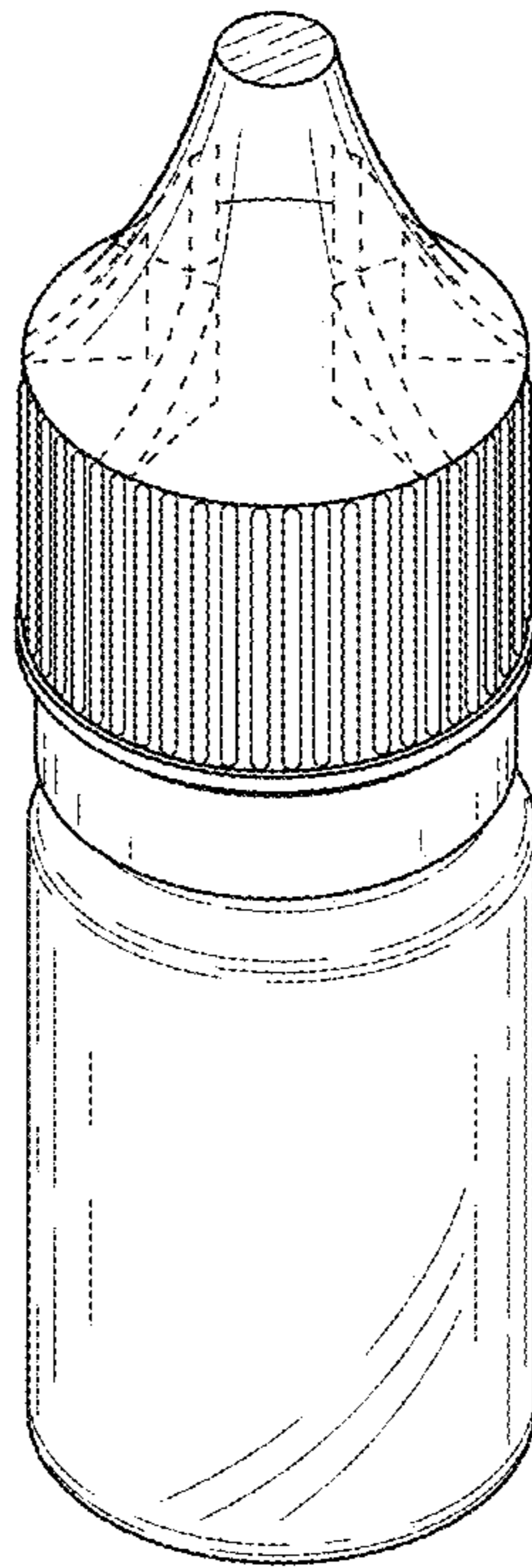


Fig. 2

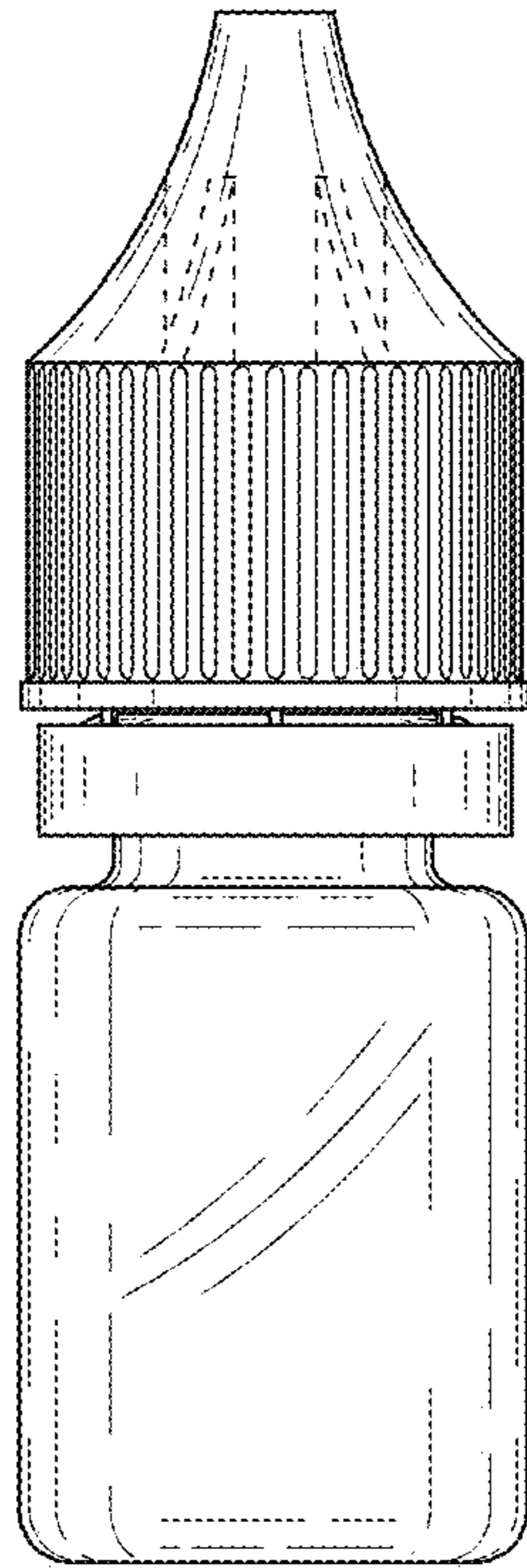


Fig. 3

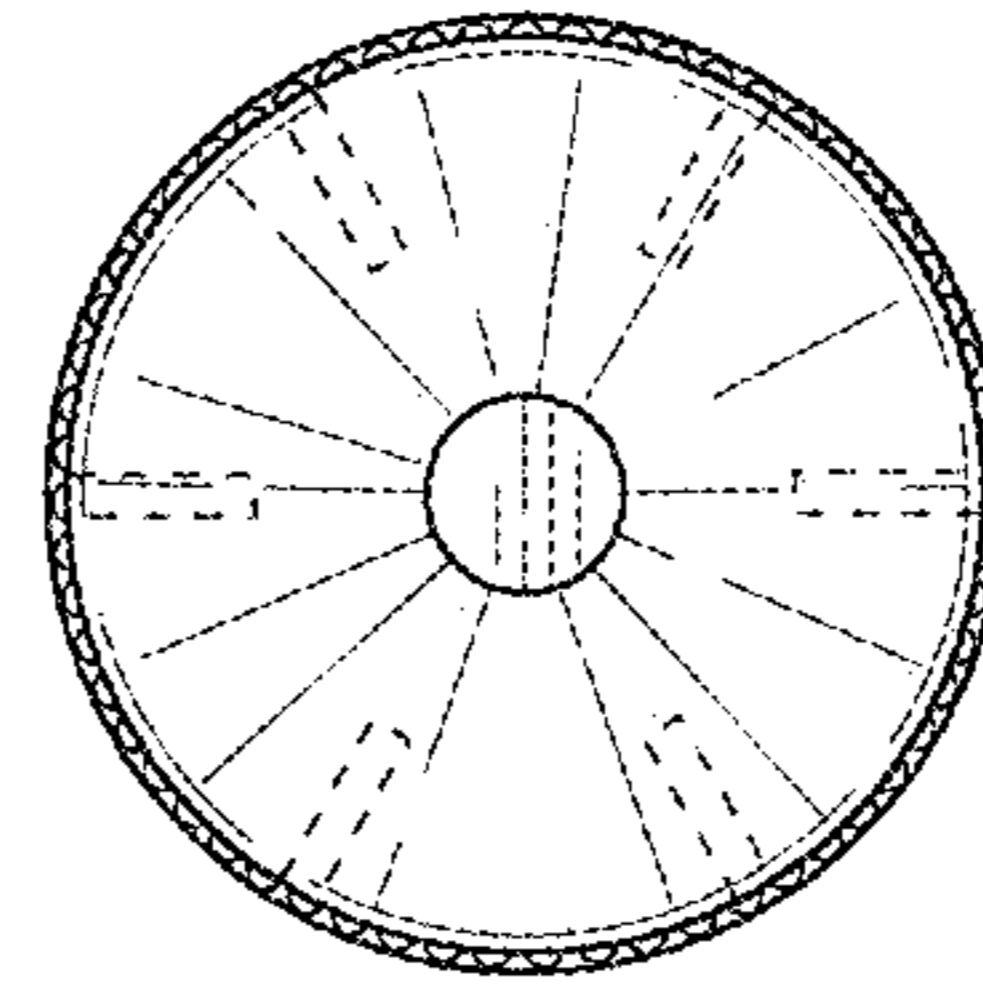


Fig. 4

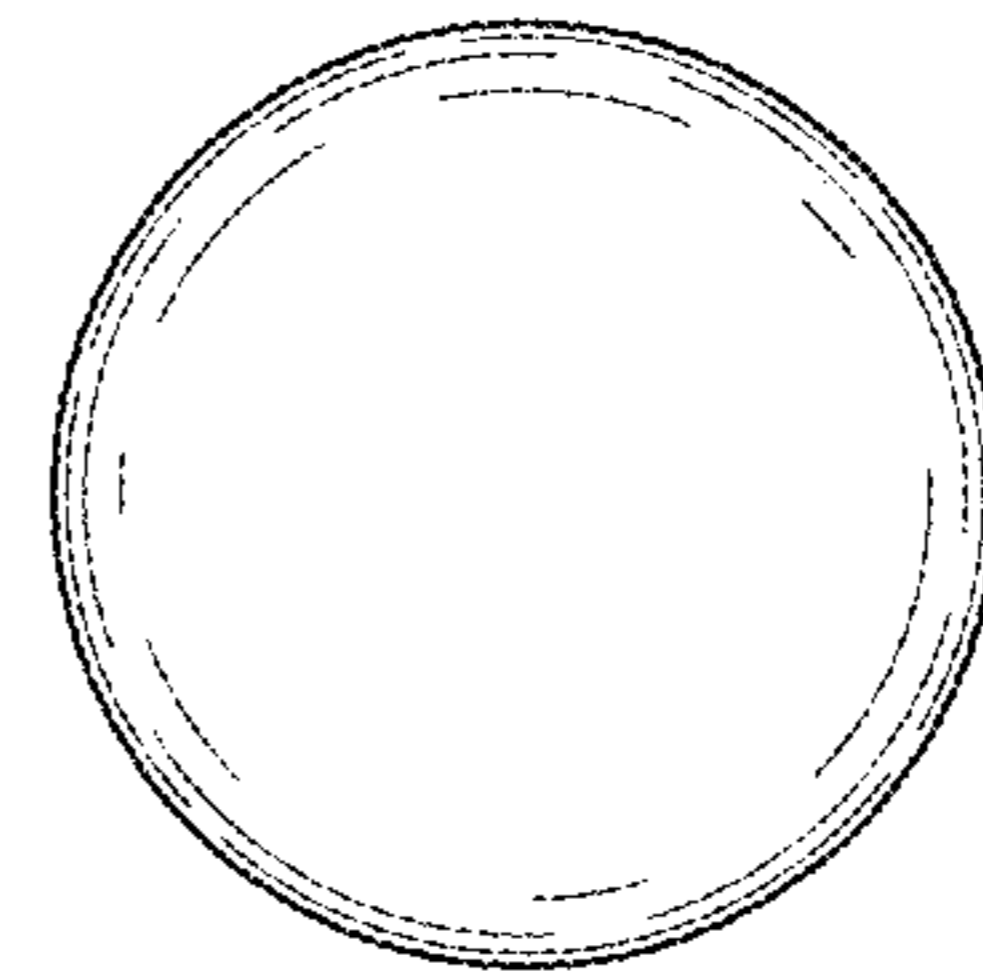


Fig. 5

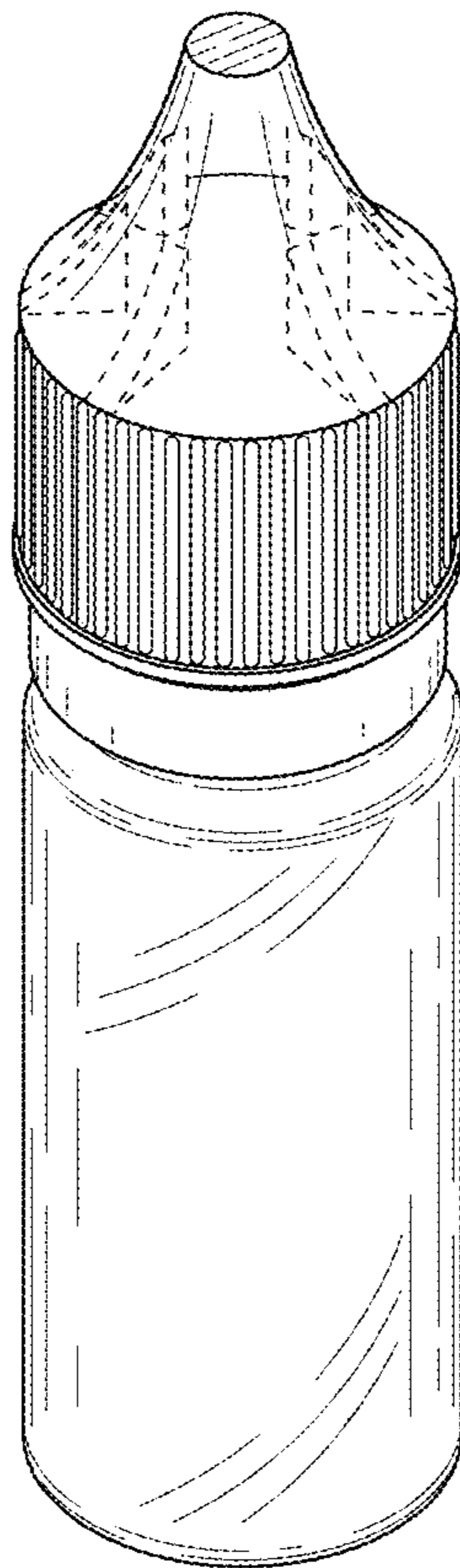


Fig. 6

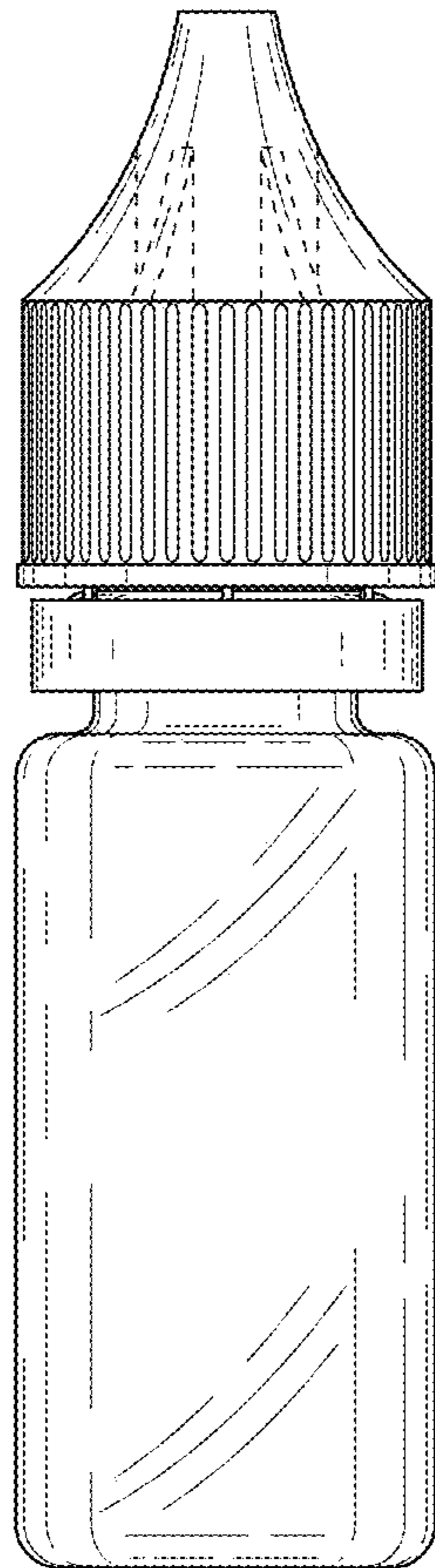


Fig. 7

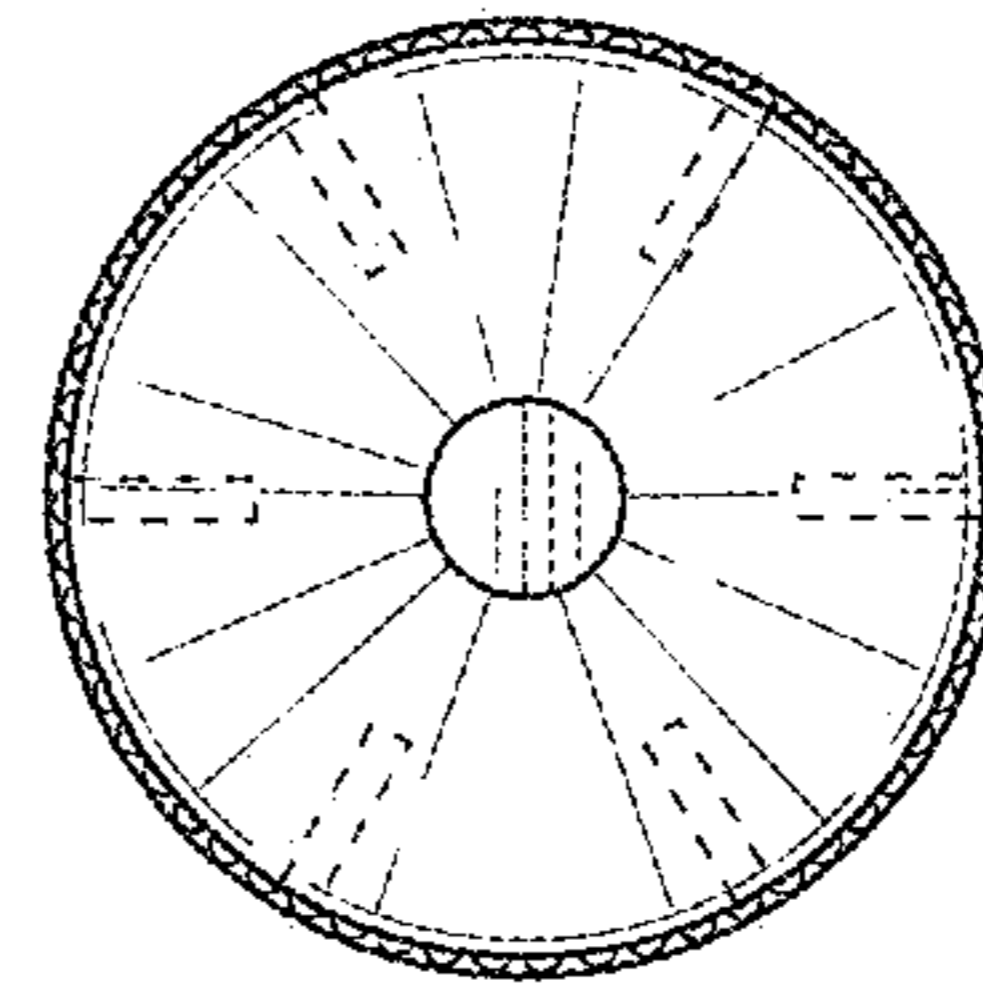


Fig. 8

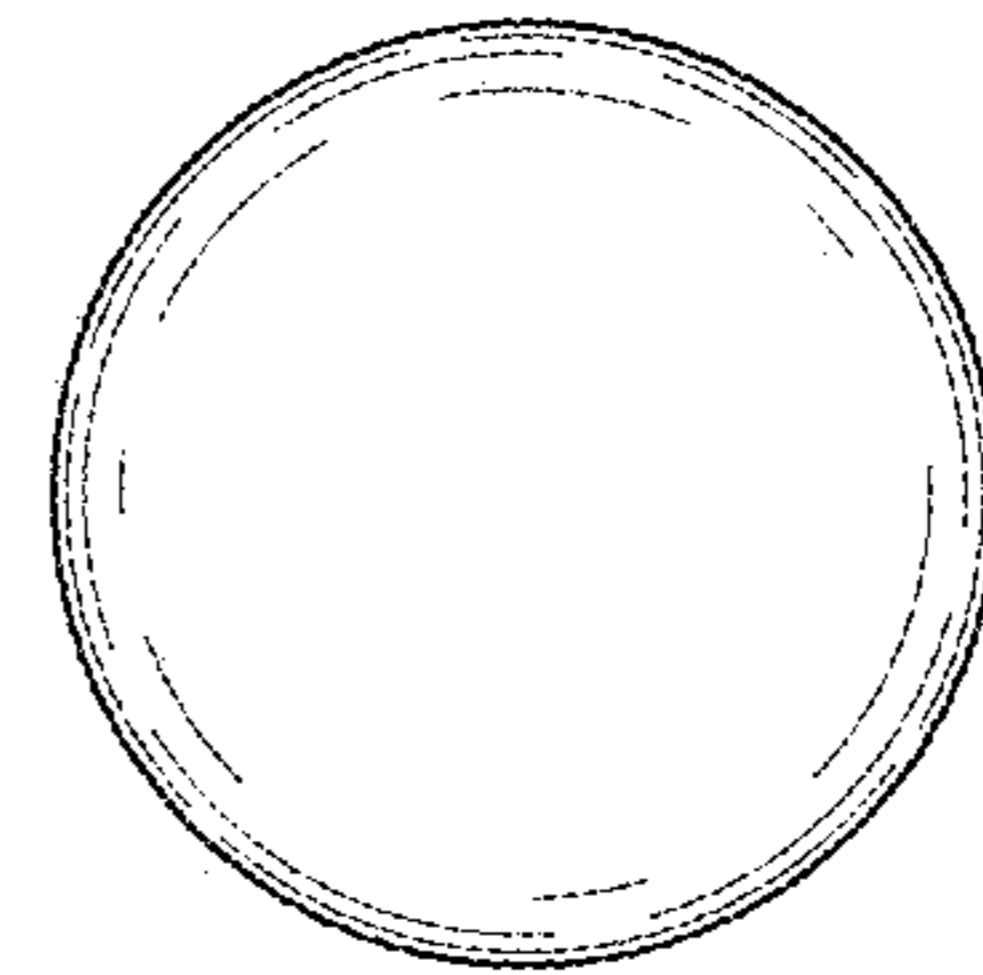


Fig. 9

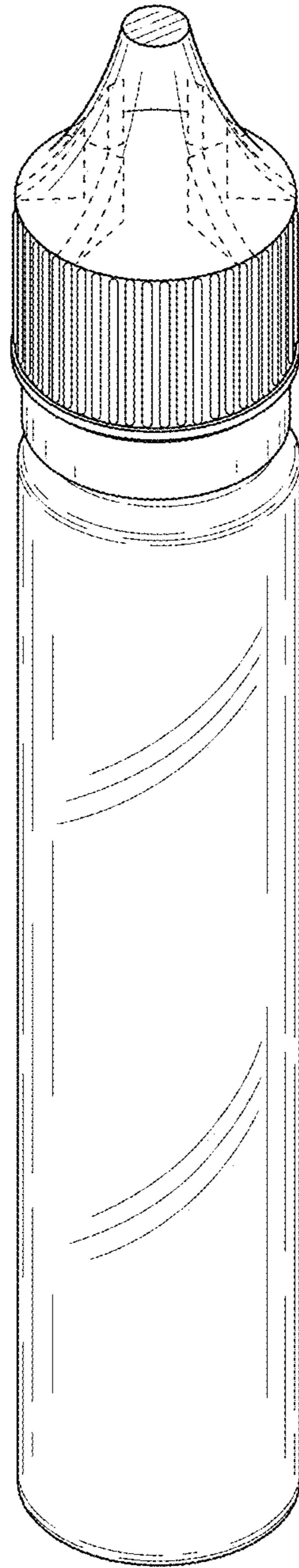


Fig. 10

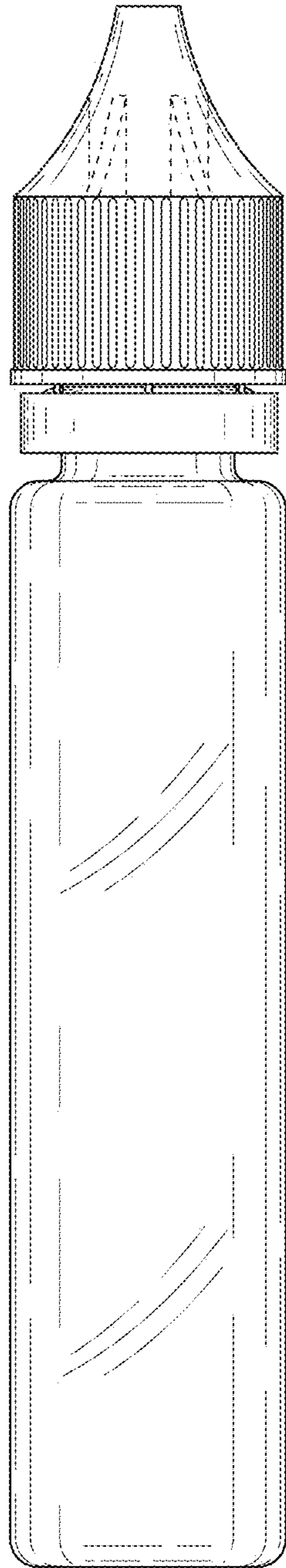


Fig. 11

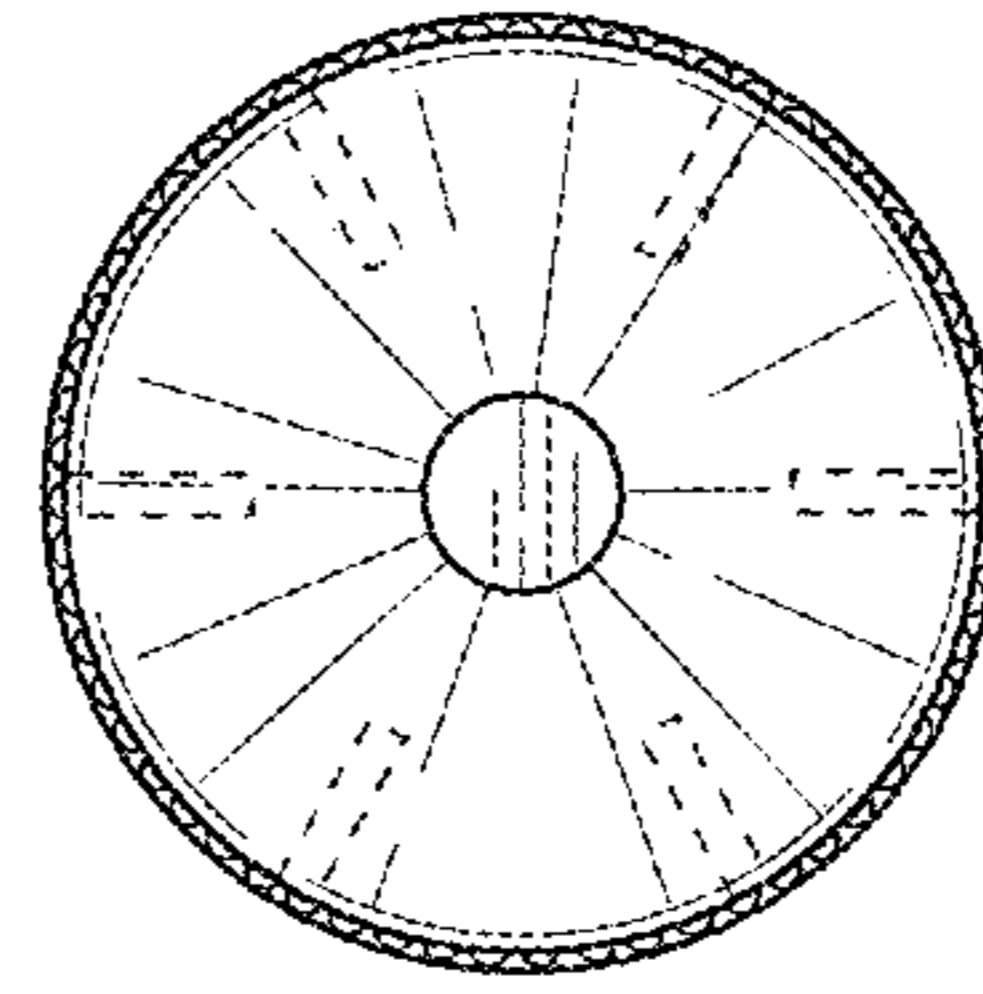


Fig. 12

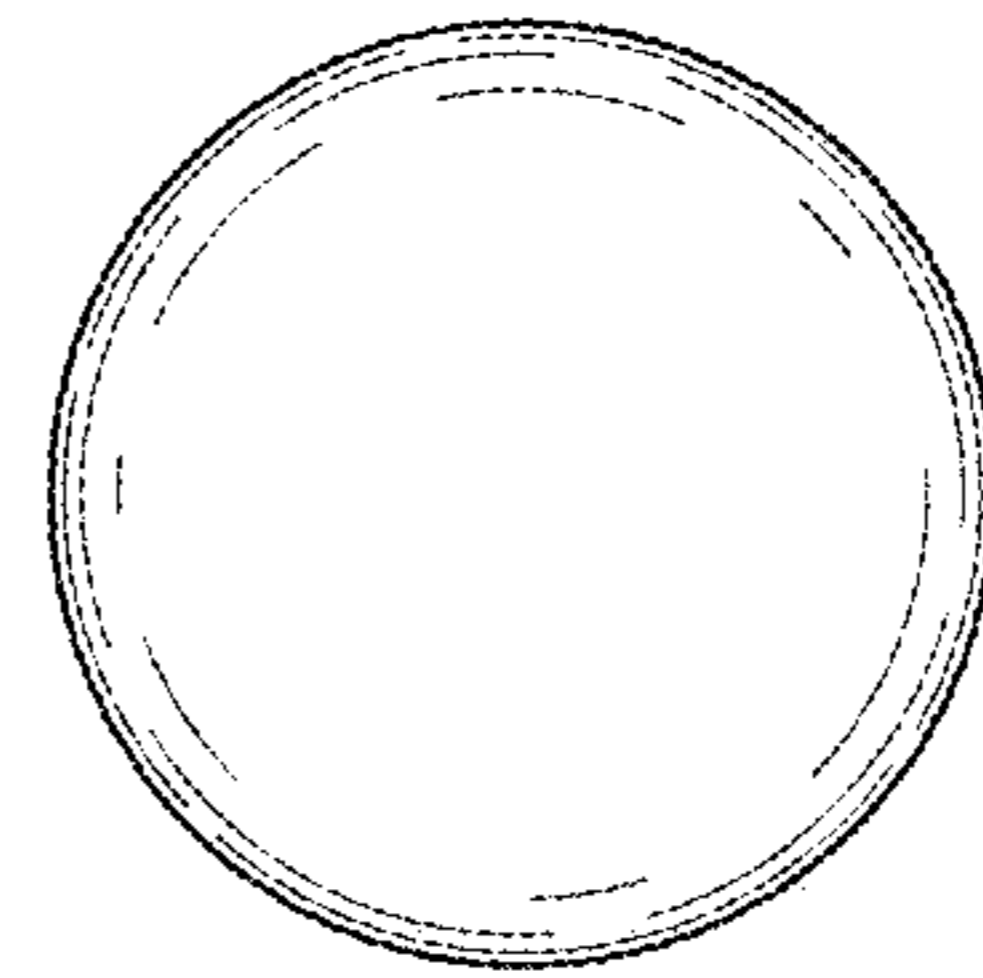


Fig. 13

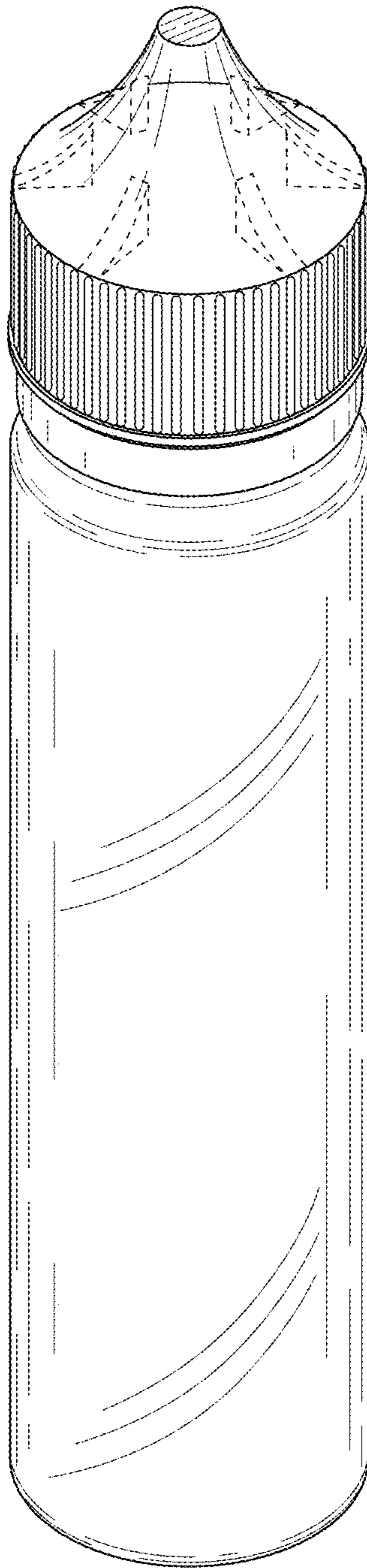


Fig. 14

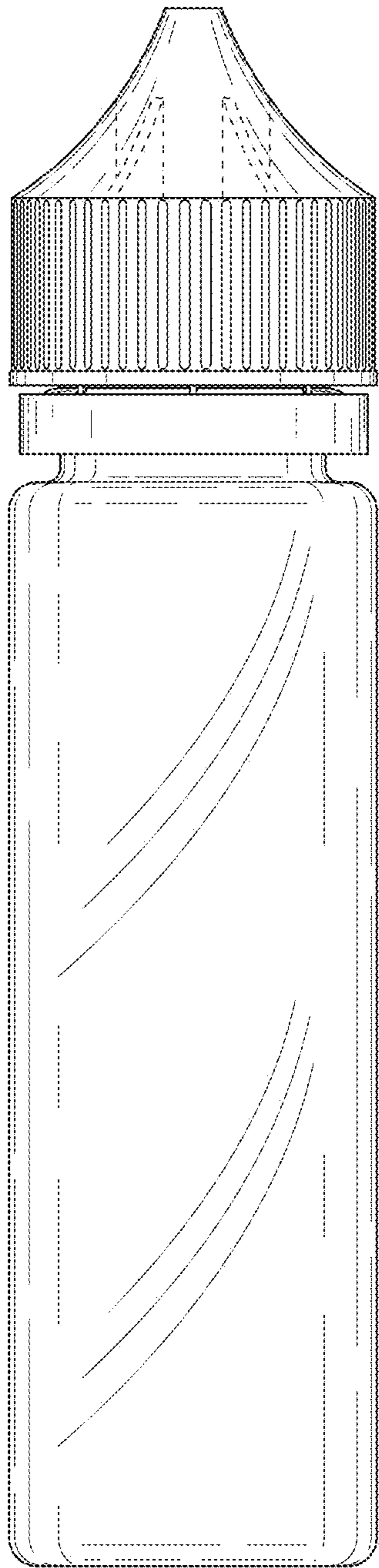


Fig. 15

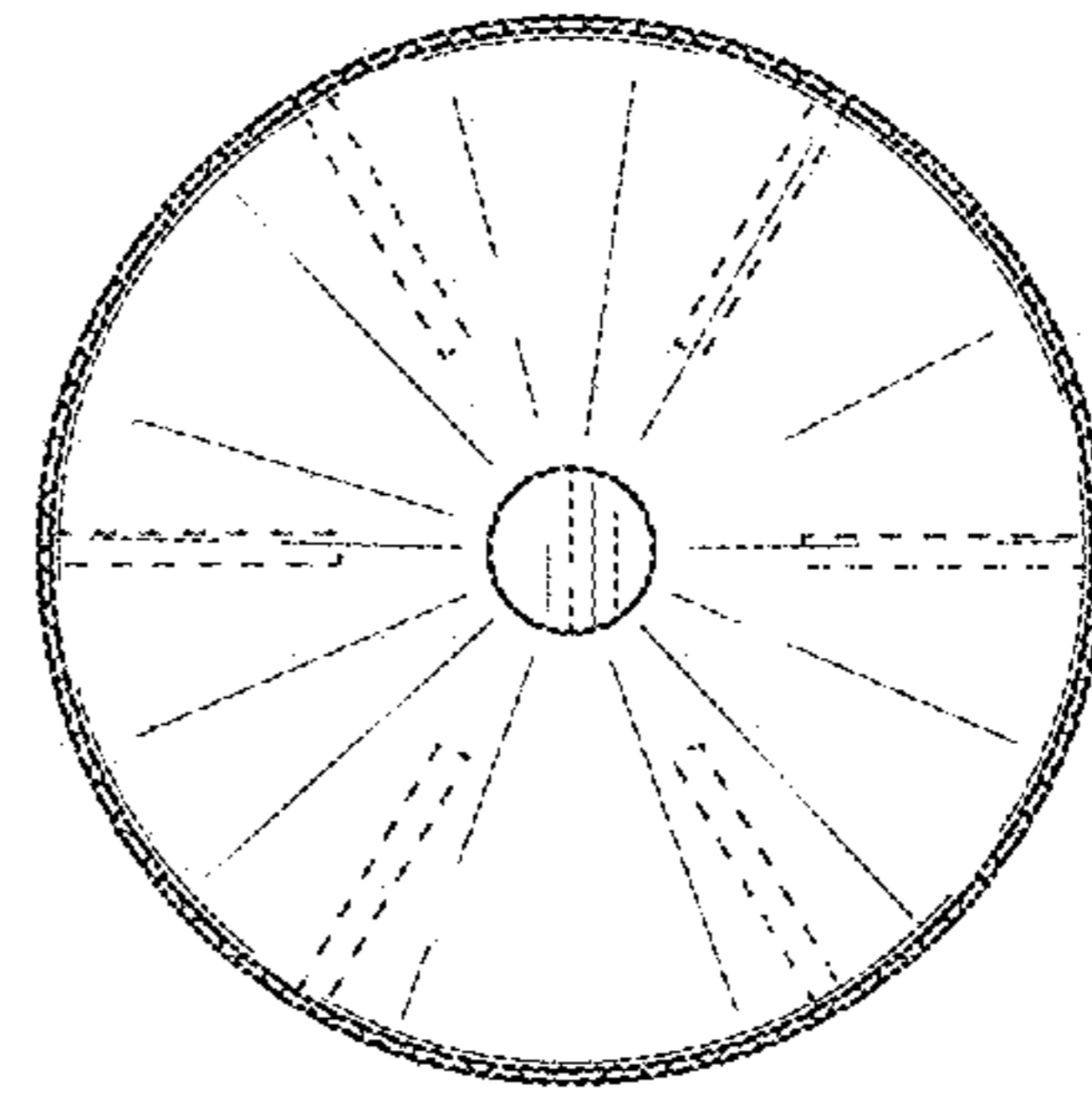


Fig. 16

