



US00D910454S

(12) **United States Design Patent**
Mitha

(10) **Patent No.:** **US D910,454 S**
(45) **Date of Patent:** **** Feb. 16, 2021**

(54) **BOTTLE WITH CLOSURE**

(71) Applicant: **J. Choo Limited**, London (GB)

(72) Inventor: **Alnoor Mitha**, Paris (FR)

(73) Assignee: **J. Choo Limited**, London (GB)

(**) Term: **15 Years**

(21) Appl. No.: **29/699,194**

(22) Filed: **Jul. 23, 2019**

(30) **Foreign Application Priority Data**

Feb. 18, 2019 (EM) 006260535-0001
Feb. 18, 2019 (EM) 006260535-0002
Feb. 18, 2019 (EM) 006260535-0003

(51) **LOC (13) Cl.** **09-01**

(52) **U.S. Cl.**
USPC **D9/556; D9/454**

(58) **Field of Classification Search**
USPC D9/434-435, 444-445, 516, 544-546,
D9/549, 553, 555, 558-559, 566, 568,
(Continued)

(56) **References Cited**

U.S. PATENT DOCUMENTS

D81,602 S * 7/1930 Teague D9/546
D277,455 S * 2/1985 Tordjman D9/439
(Continued)

Primary Examiner — Dana Meyrow

(74) *Attorney, Agent, or Firm* — Fross Zelnick Lehrman
& Zissu, P.C.; Lawrence E. Apolzon, Esq.

(57) **CLAIM**

The ornamental design for a bottle with closure, as shown
and described.

DESCRIPTION

FIG. 1 is a front perspective view of a transparent bottle with
closure showing my new design with the interior of the
bottle in broken lines;

FIG. 2 is a front view thereof;
FIG. 3 is a back view thereof;
FIG. 4 is a left side view thereof;
FIG. 5 is a right side view thereof;
FIG. 6 is a top view thereof;
FIG. 7 is a bottom view thereof;
FIG. 8 is a front perspective view of an alternative embodi-
ment of the transparent bottle with closure shown in FIG. 1
with the interior of the bottle and the neck of top in broken
lines;

FIG. 9 is a front view thereof;
FIG. 10 is a back view thereof;
FIG. 11 is a left side view thereof;
FIG. 12 is a right side view thereof;
FIG. 13 is a top view thereof;
FIG. 14 is a bottom view thereof;
FIG. 15 is a front perspective view of another alternative
embodiment of the bottle with closure with top shown in
FIG. 1;

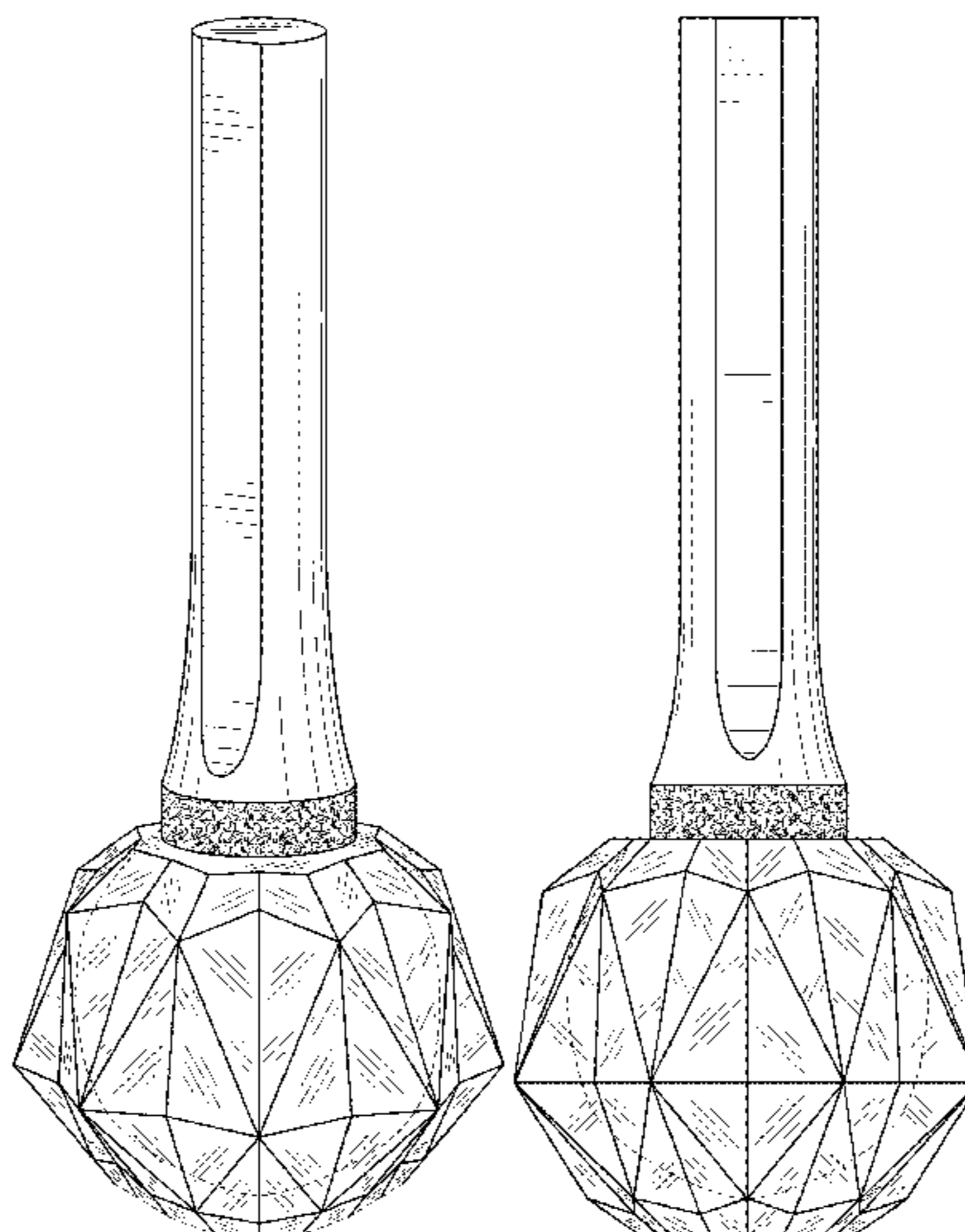
FIG. 16 is a front view thereof;
FIG. 17 is a back view thereof;
FIG. 18 is a left side view thereof;
FIG. 19 is a right side view thereof;
FIG. 20 is a top view thereof;
FIG. 21 is a bottom view thereof;
FIG. 22 is a front perspective view of a different alternative
embodiment of bottle with closure shown in FIG. 1 with the
neck of the top in broken lines;
FIG. 23 is a front view thereof;
FIG. 24 is a back view thereof;
FIG. 25 is a left side view thereof;
FIG. 26 is a right side view thereof;
FIG. 27 is a top view thereof; and,
FIG. 28 is a bottom view thereof.

The broken line showing of portions in the drawings depicts
unclaimed subject matter.

The bottle portion of the claim in of FIGS. 1-14 is trans-
parent. The details of the outer surface of the opposing side
have been omitted for ease of understanding.

The applied surface pattern around the lower rim of the
closure represents a contrast in appearance.

1 Claim, 16 Drawing Sheets



(58) **Field of Classification Search**

USPC D9/572-574, 682, 686-687, 694, 715,
D9/719, 454; D28/91.1; D4/116
CPC B65D 1/00; B65D 1/02; B65D 1/0223;
B65D 23/00; B65D 51/32; B65D
2501/00; B65D 2501/0009; B65D
2501/0081

See application file for complete search history.

(56) **References Cited**

U.S. PATENT DOCUMENTS

D289,142 S * 4/1987 Bijaoui D9/439
D369,558 S * 5/1996 Heinz D9/546
D382,486 S * 8/1997 Heinz D9/439
D474,341 S * 5/2003 Cantone A45D 29/007
D4/116
8,430,258 B2 * 4/2013 Yamamoto B65D 23/02
220/62.22
8,517,197 B2 * 8/2013 Yamamoto B65D 23/0821
220/62.22
D698,259 S * 1/2014 Ngjelo D9/651
D711,236 S * 8/2014 Friesen D9/519
D722,880 S * 2/2015 DeMarco D9/529
D737,689 S * 9/2015 Monteparo D9/651
D744,350 S * 12/2015 Nagata D9/651
D752,990 S * 4/2016 Dalton D9/682
D768,495 S * 10/2016 Staab D9/529
D779,737 S * 2/2017 Salmon D28/85
D780,590 S * 3/2017 Komai D9/566
D789,747 S * 6/2017 Hume D7/530

* cited by examiner

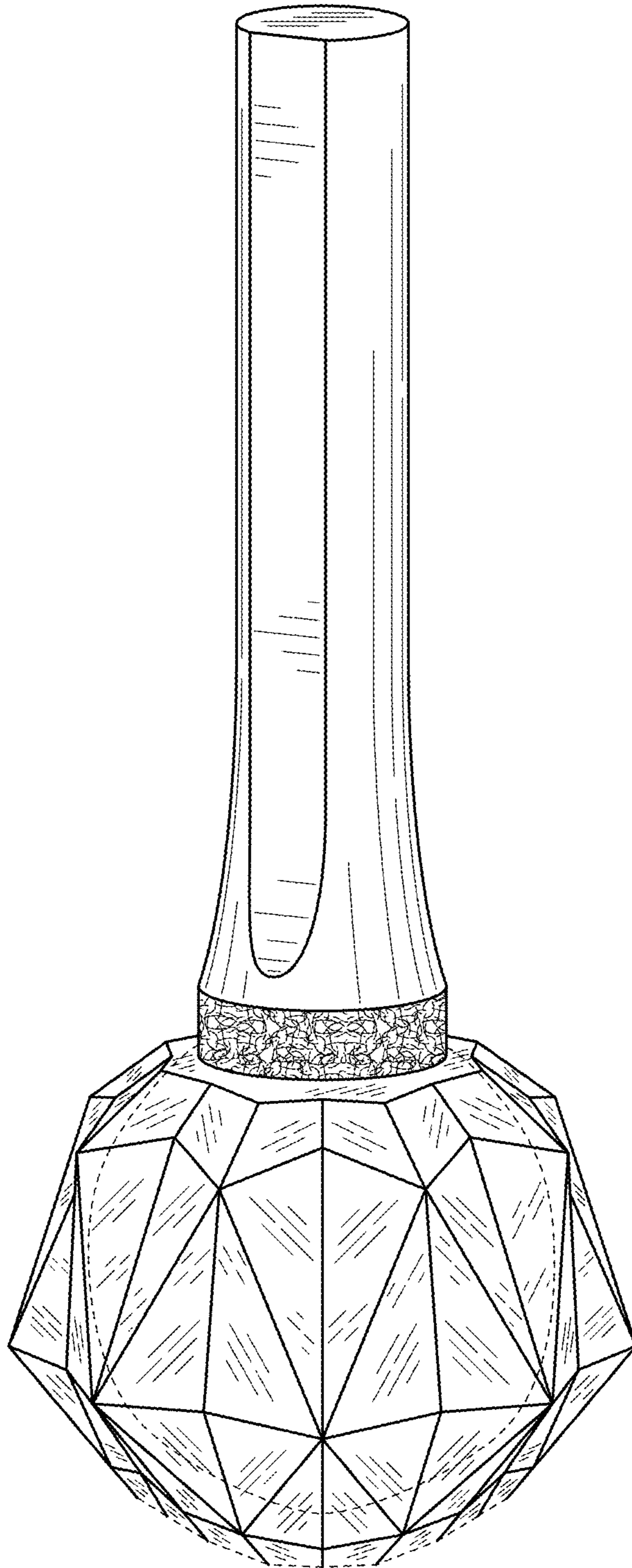


FIG. 1

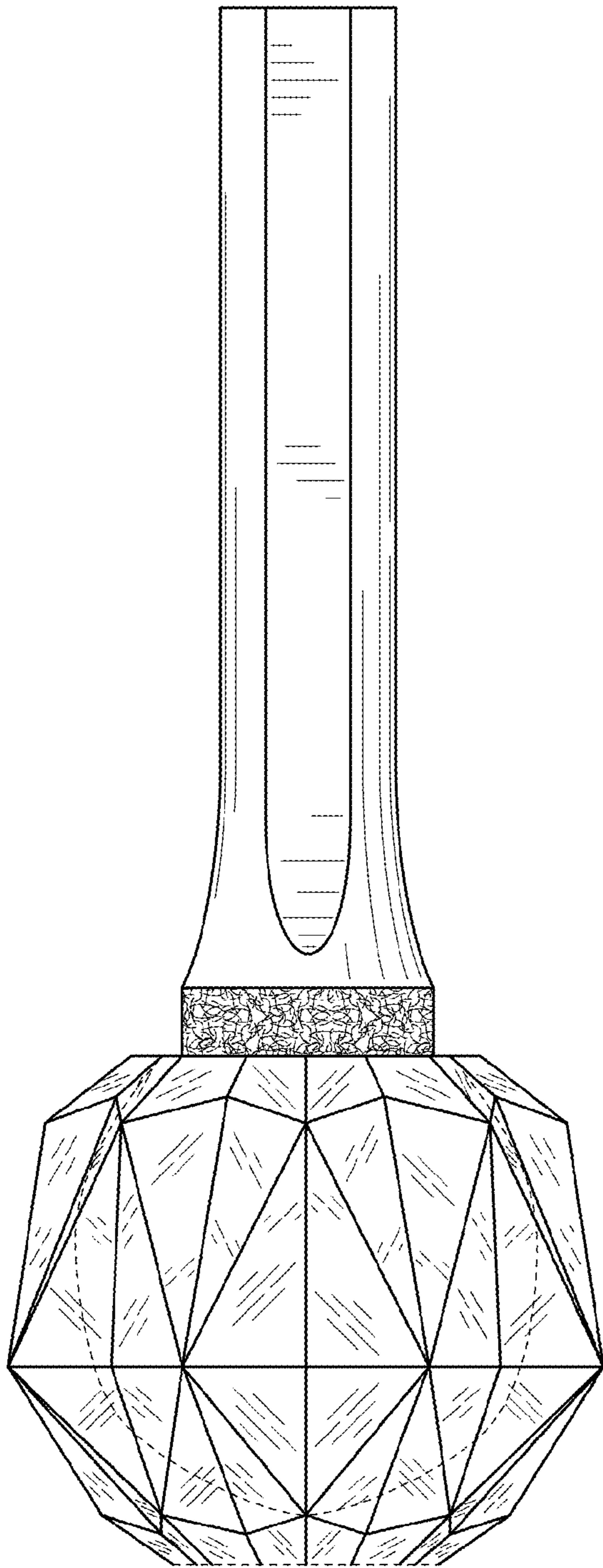


FIG. 2

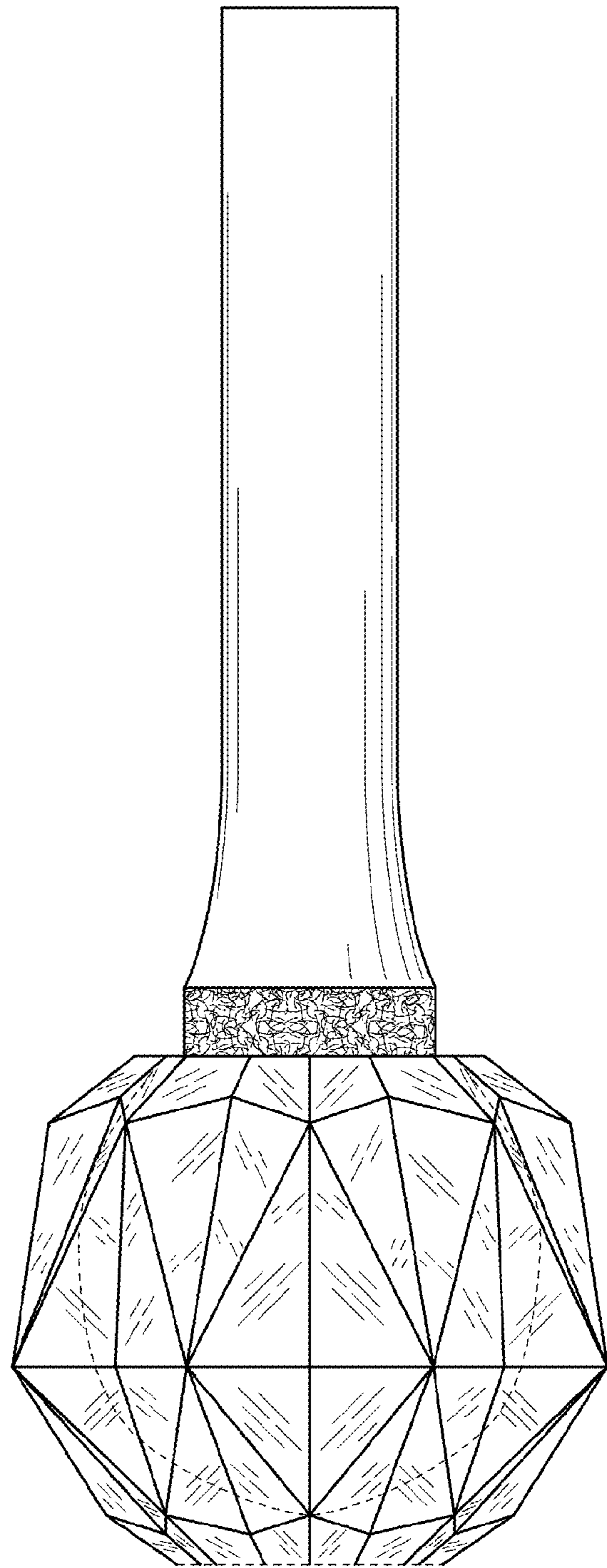


FIG. 3

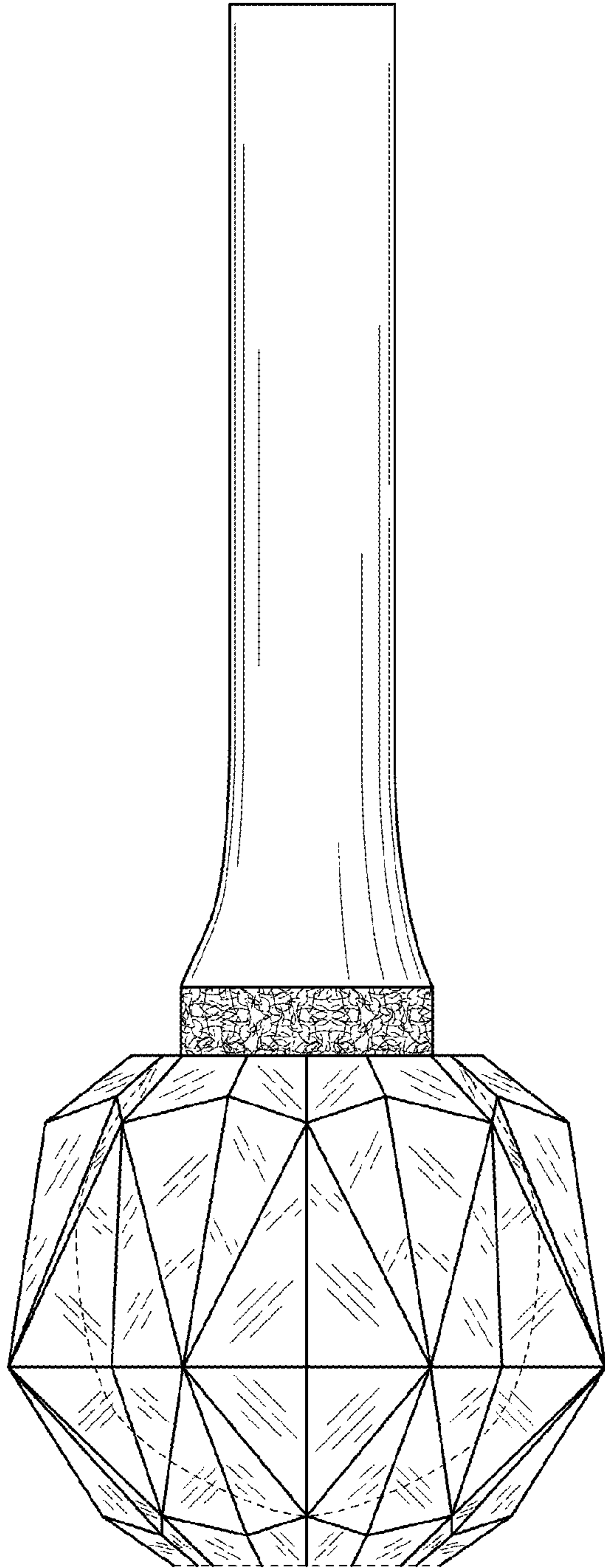


FIG. 4

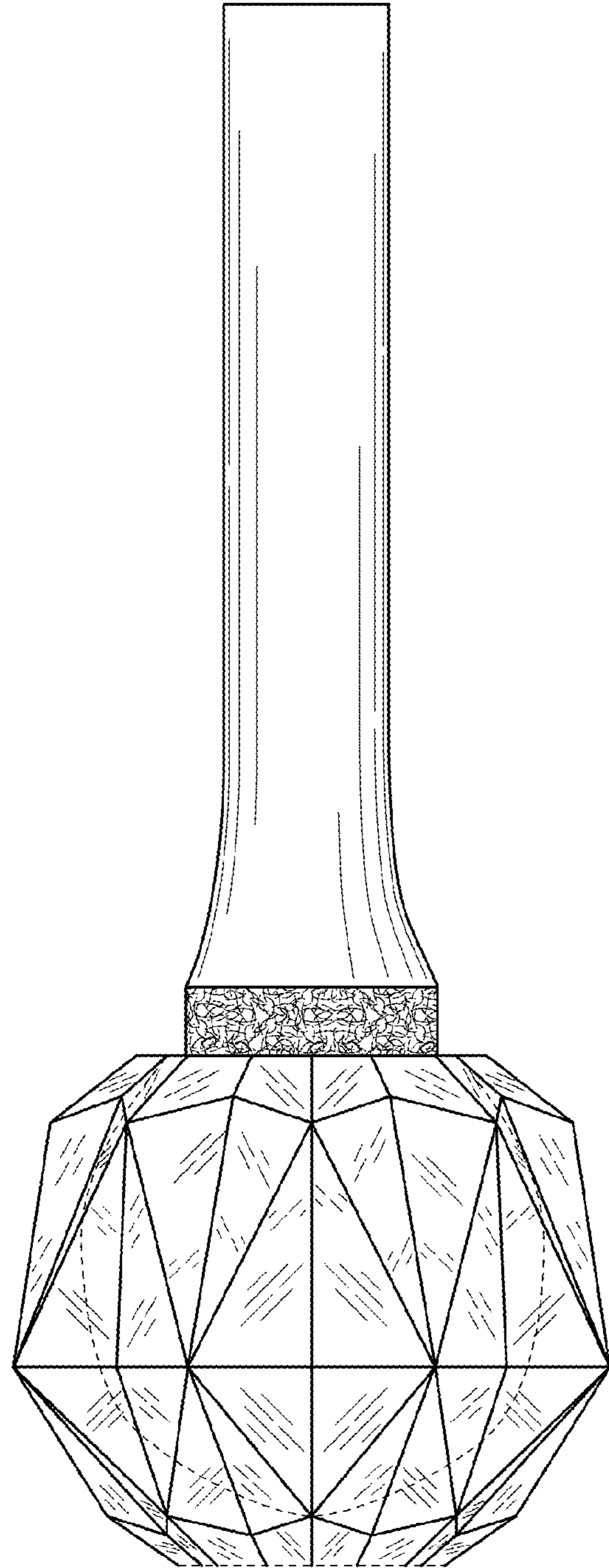


FIG. 5

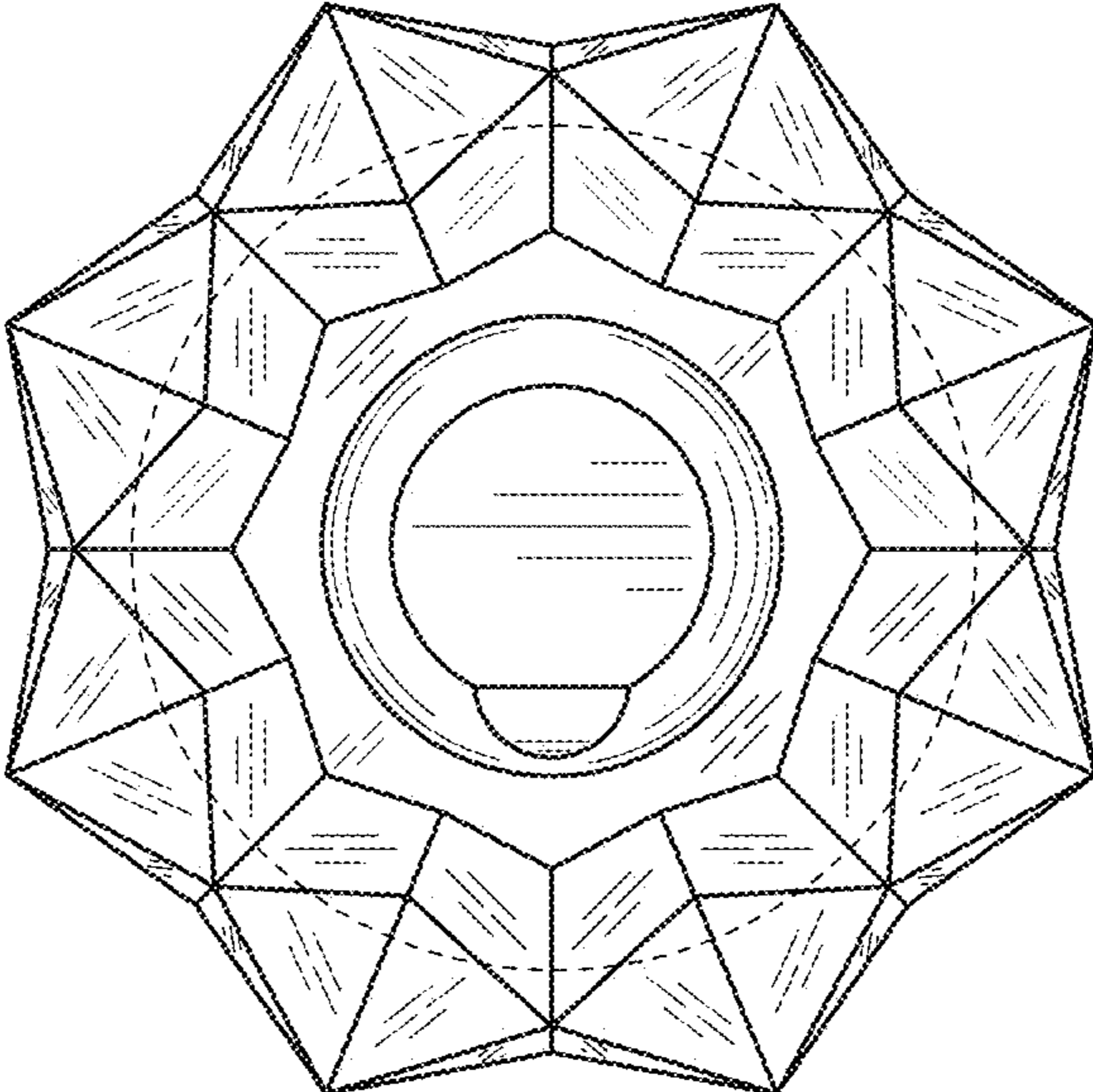


FIG. 6

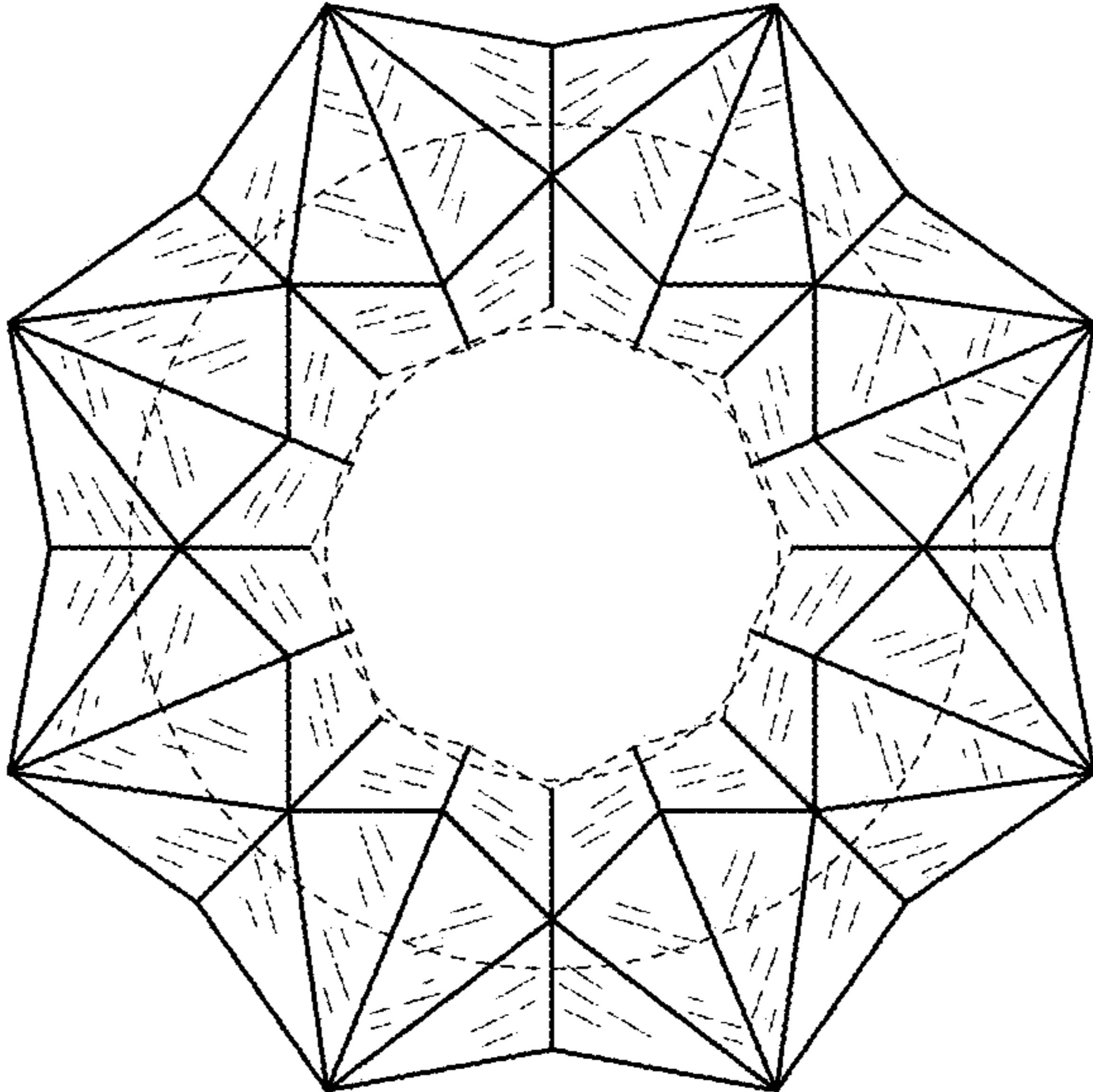


FIG. 7

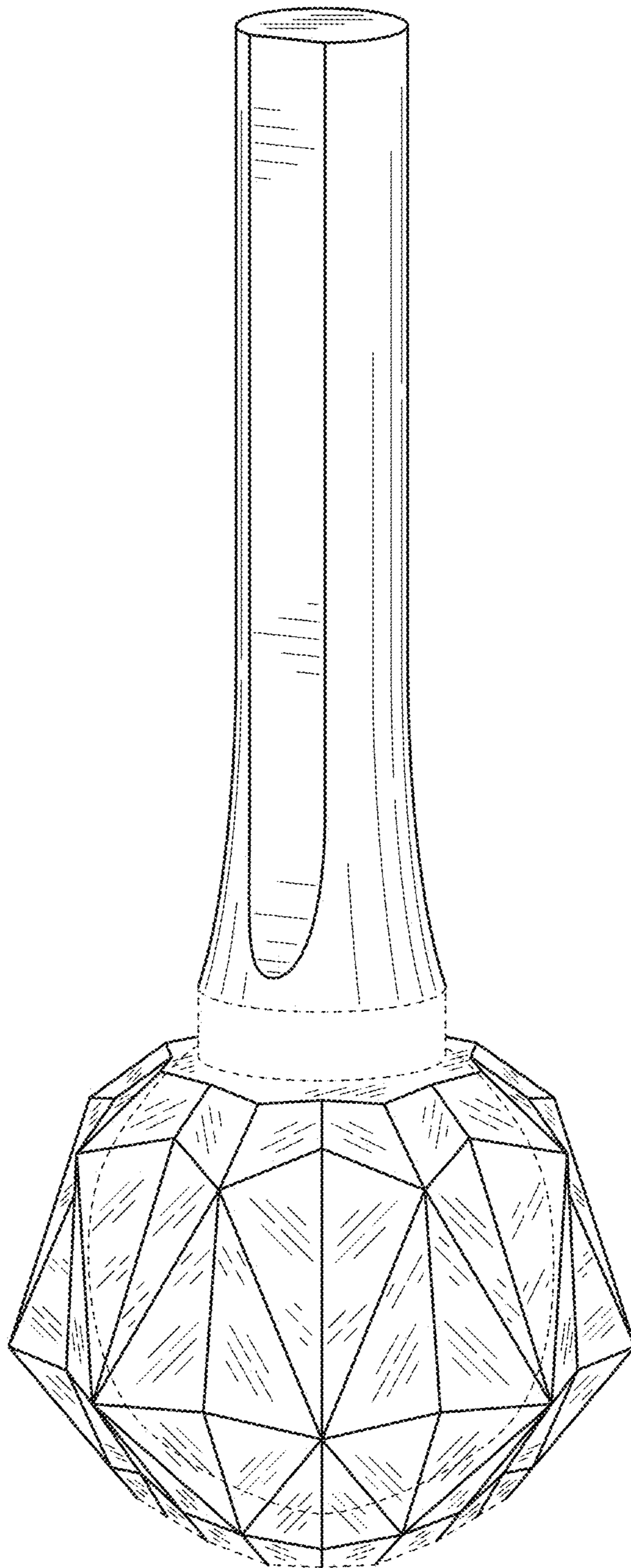


FIG. 8

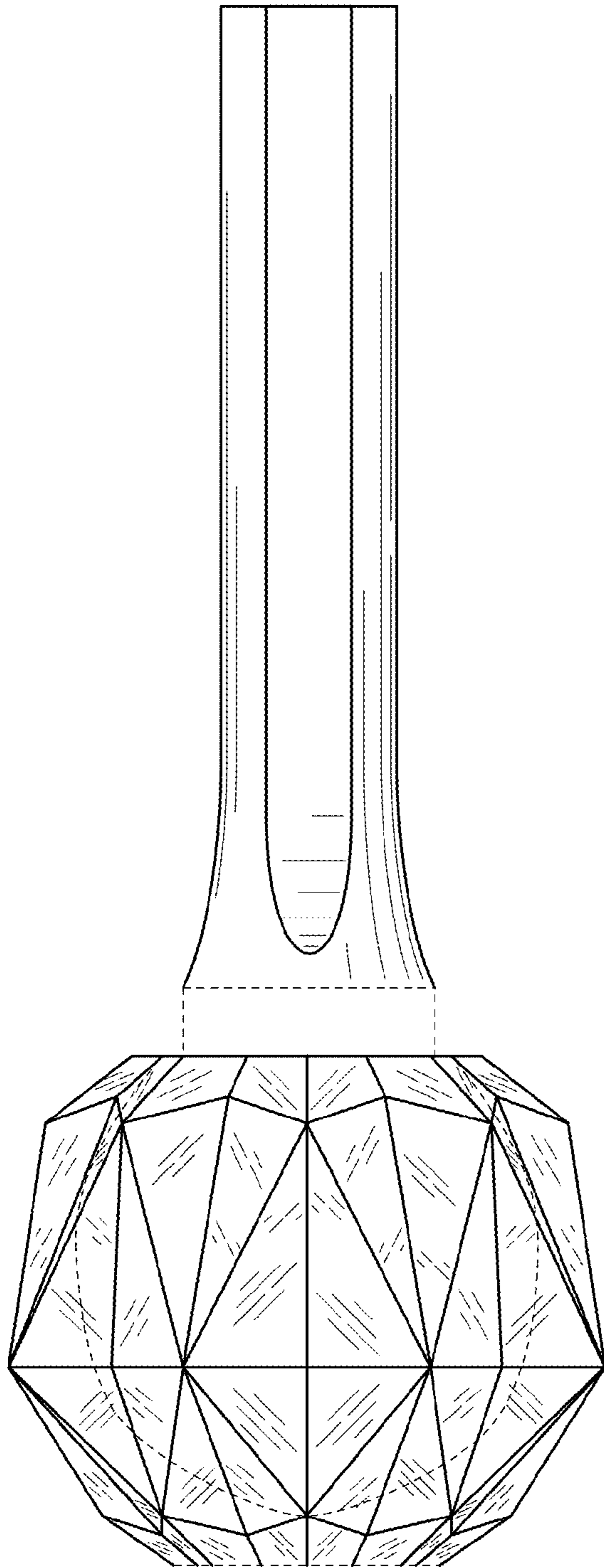


FIG. 9

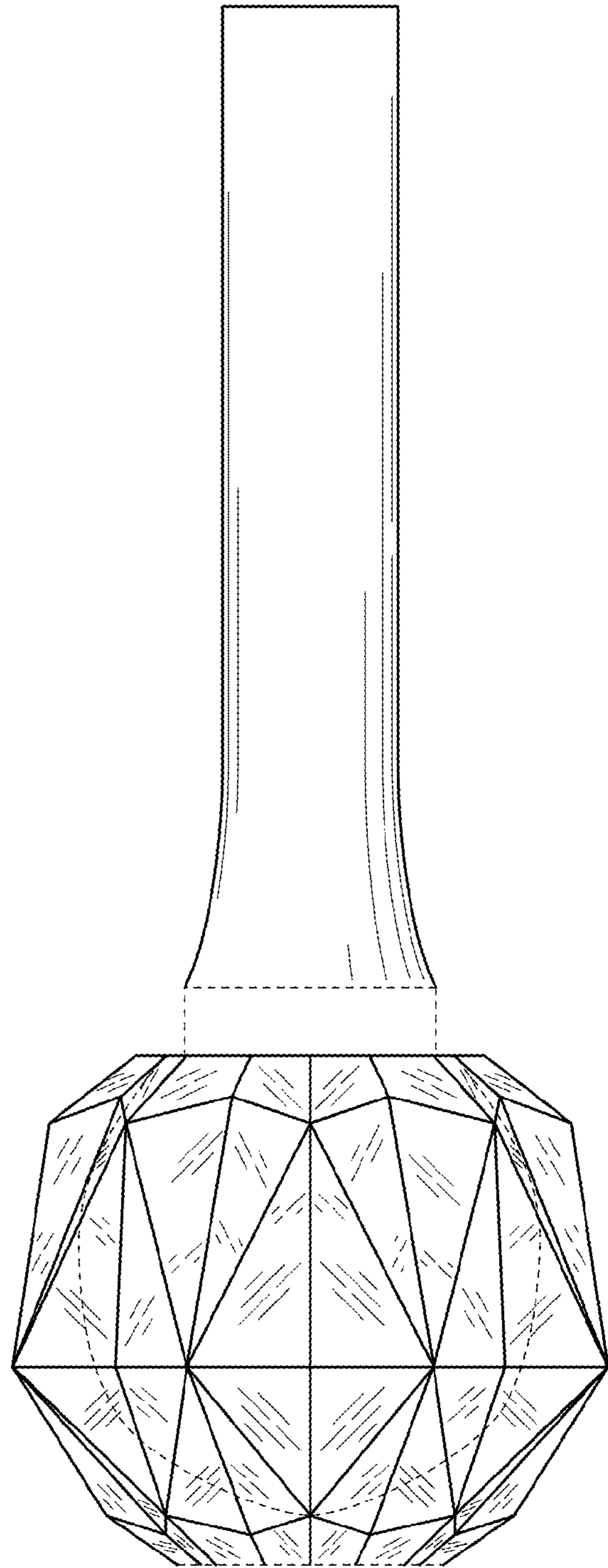


FIG. 10

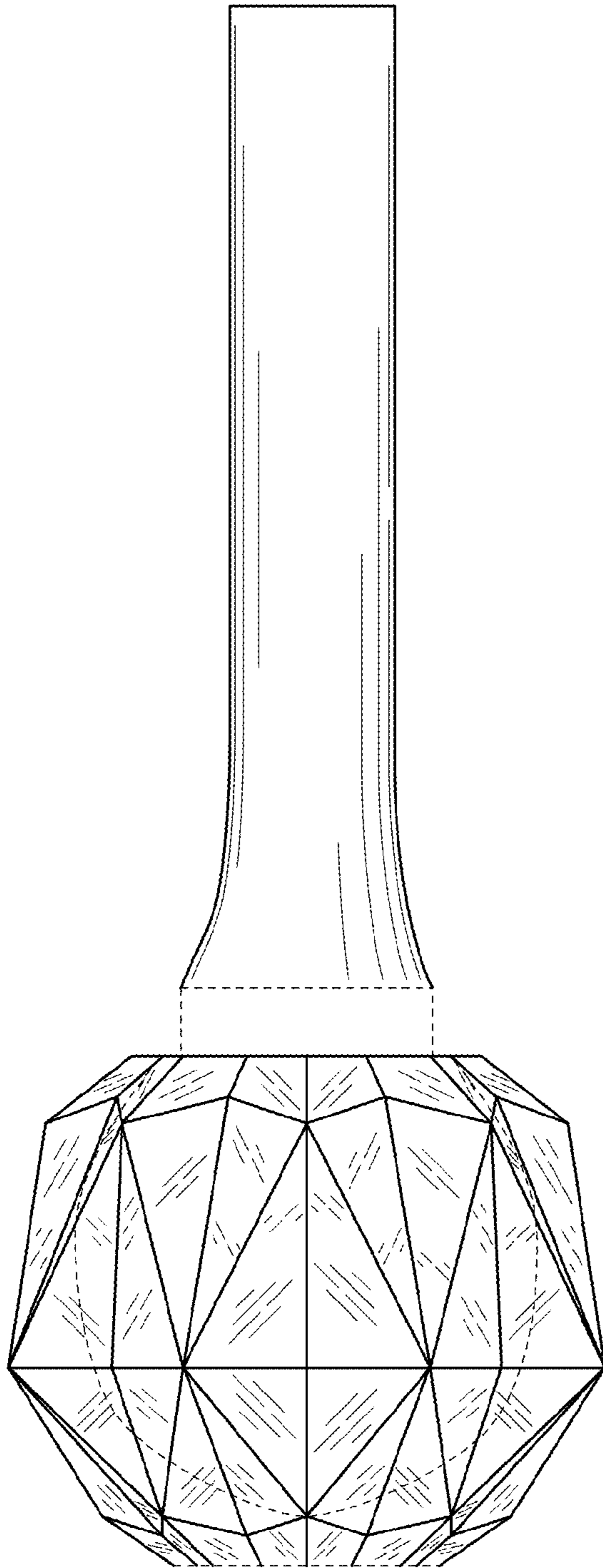


FIG. 11

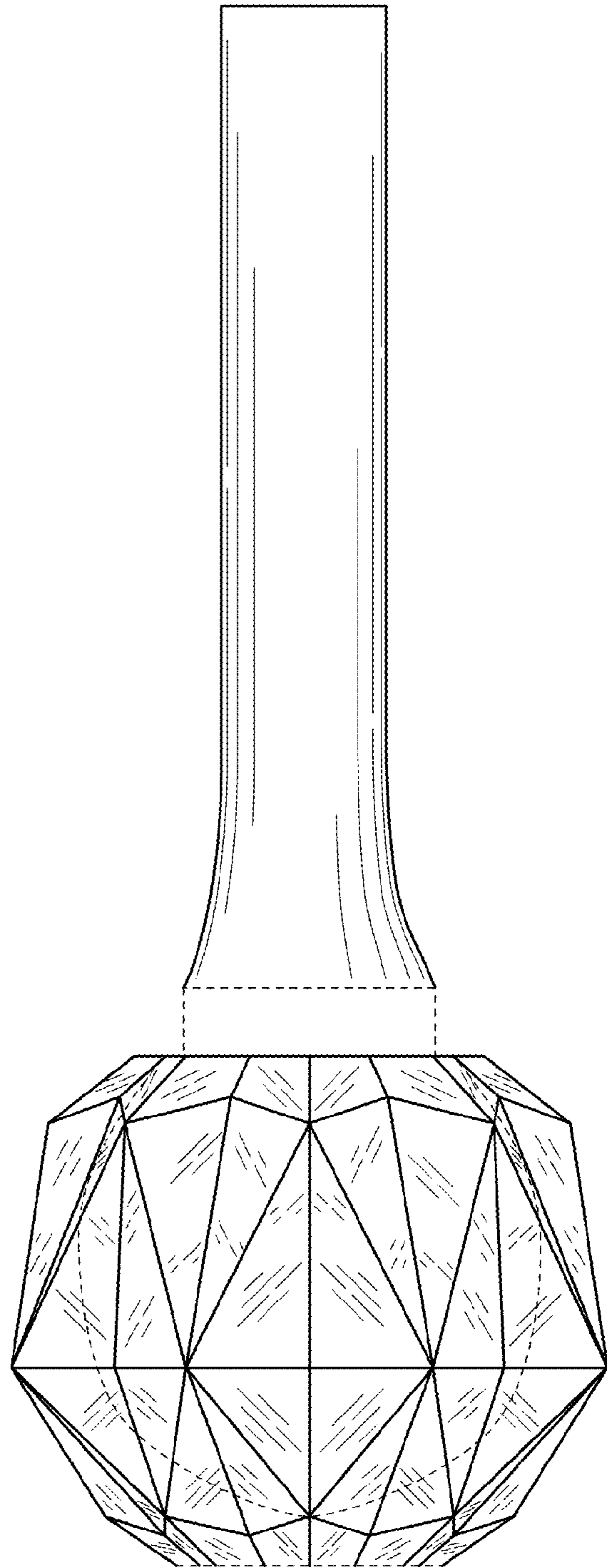


FIG. 12

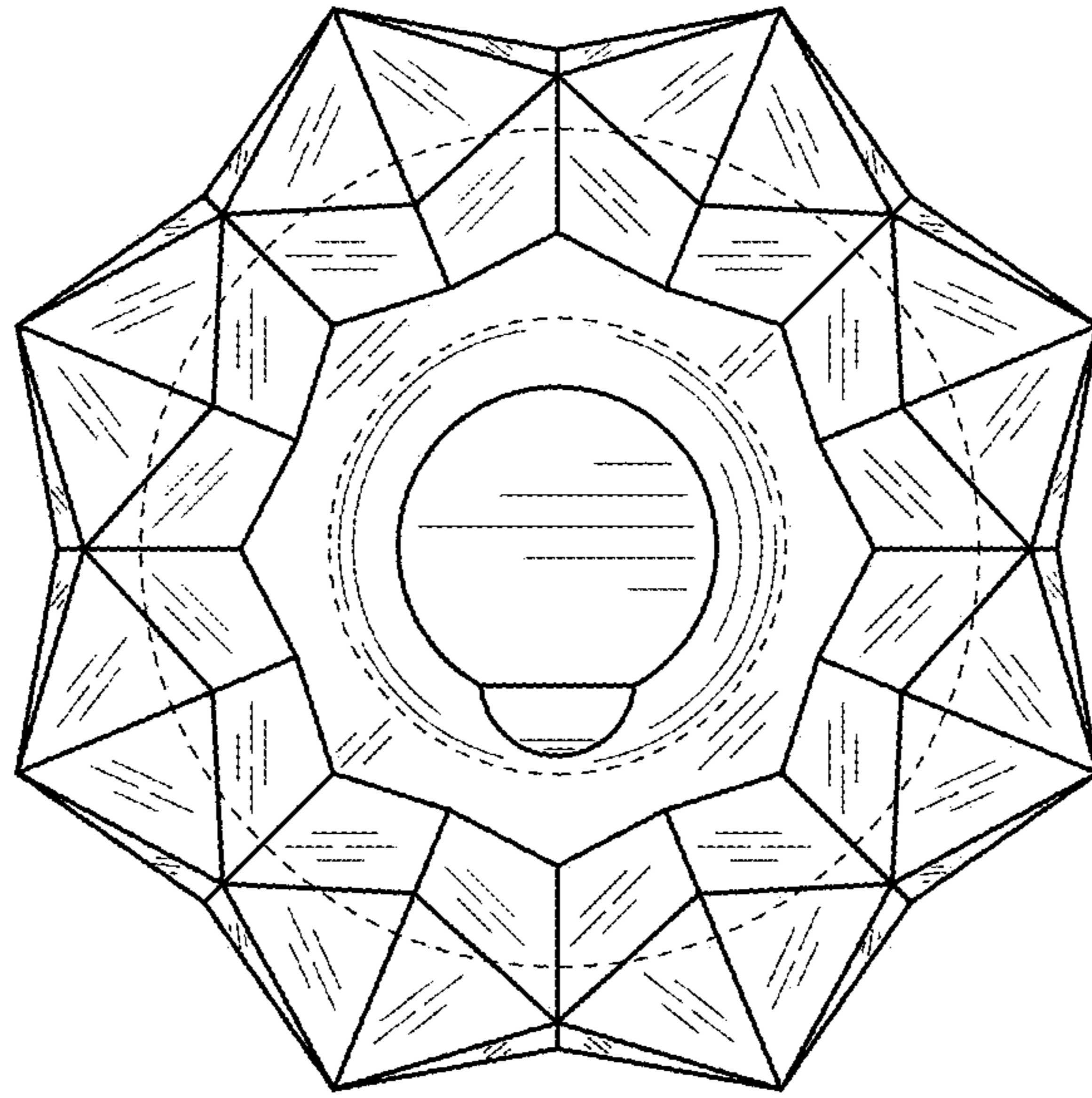


FIG. 13

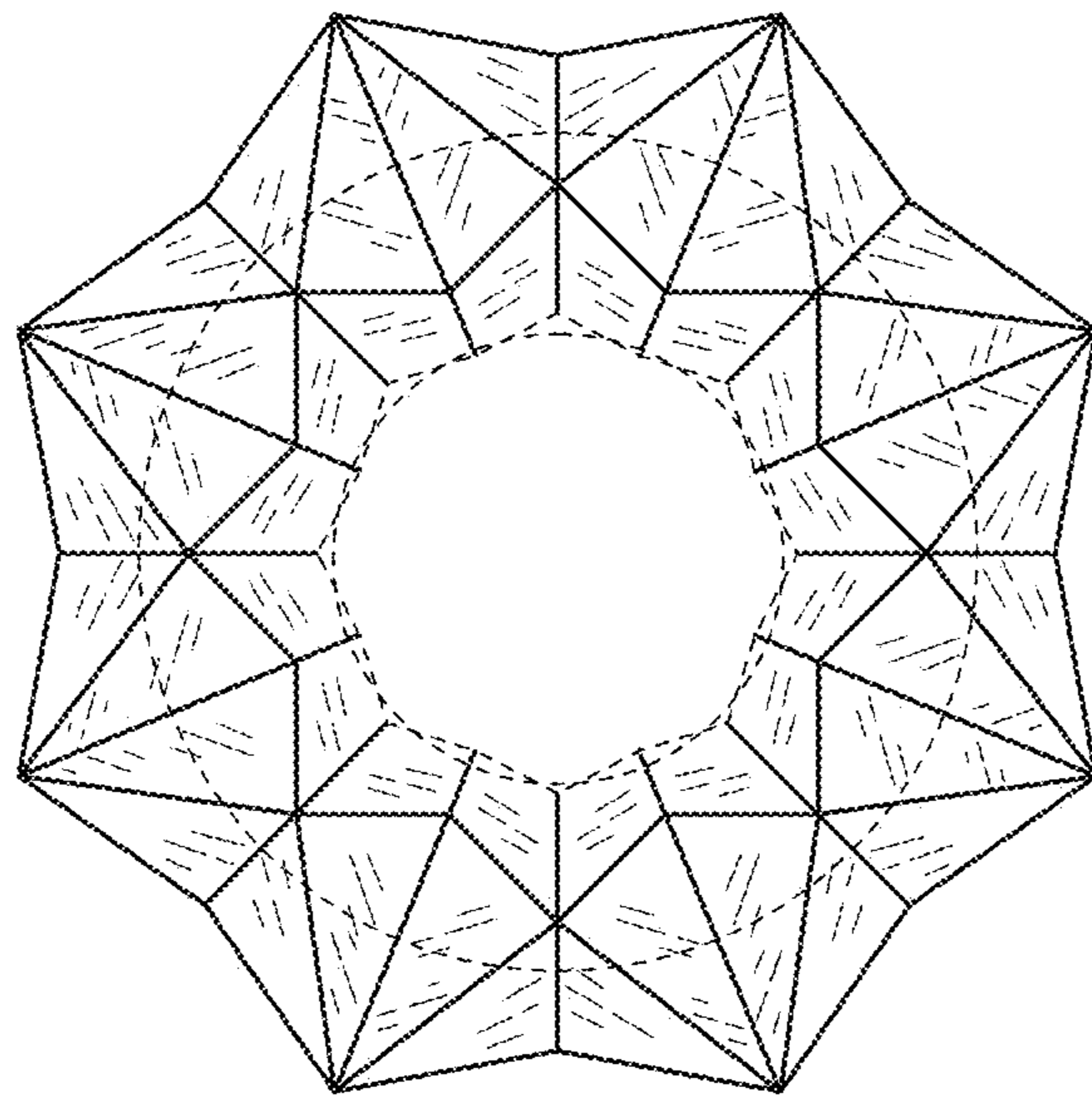


FIG. 14

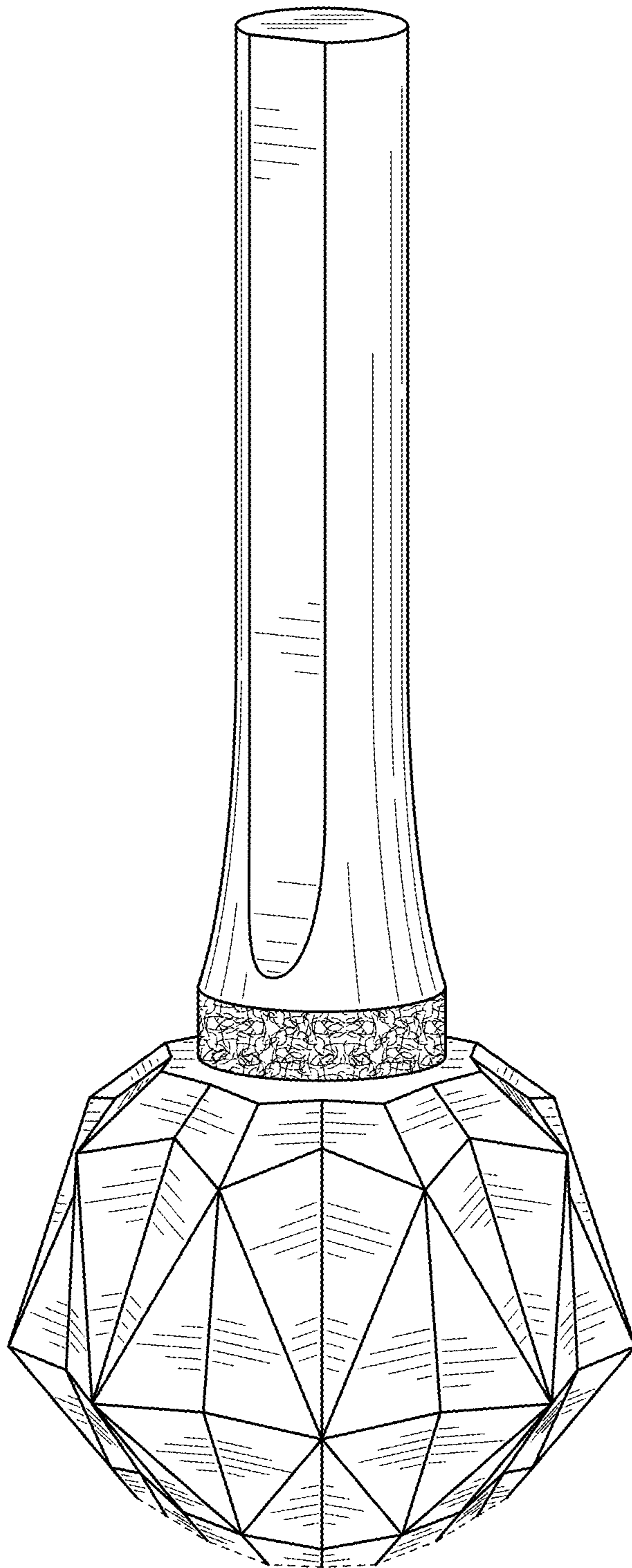


FIG. 15

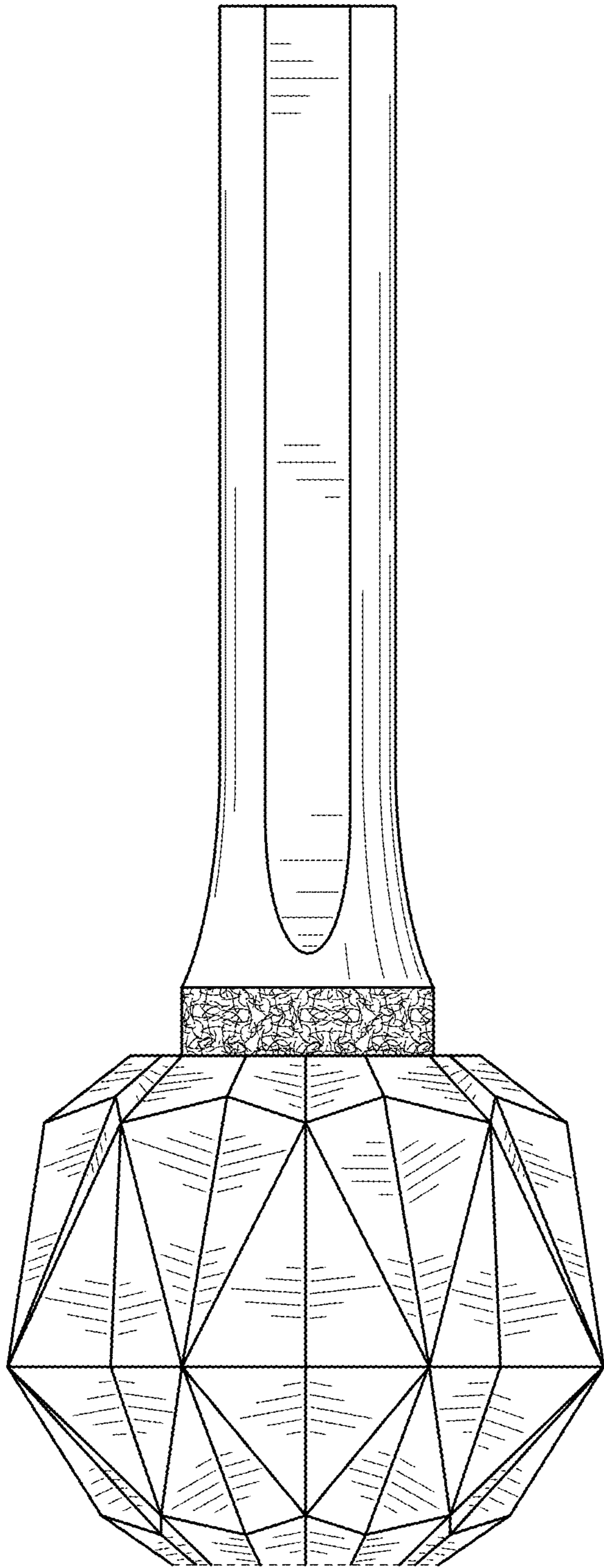


FIG. 16

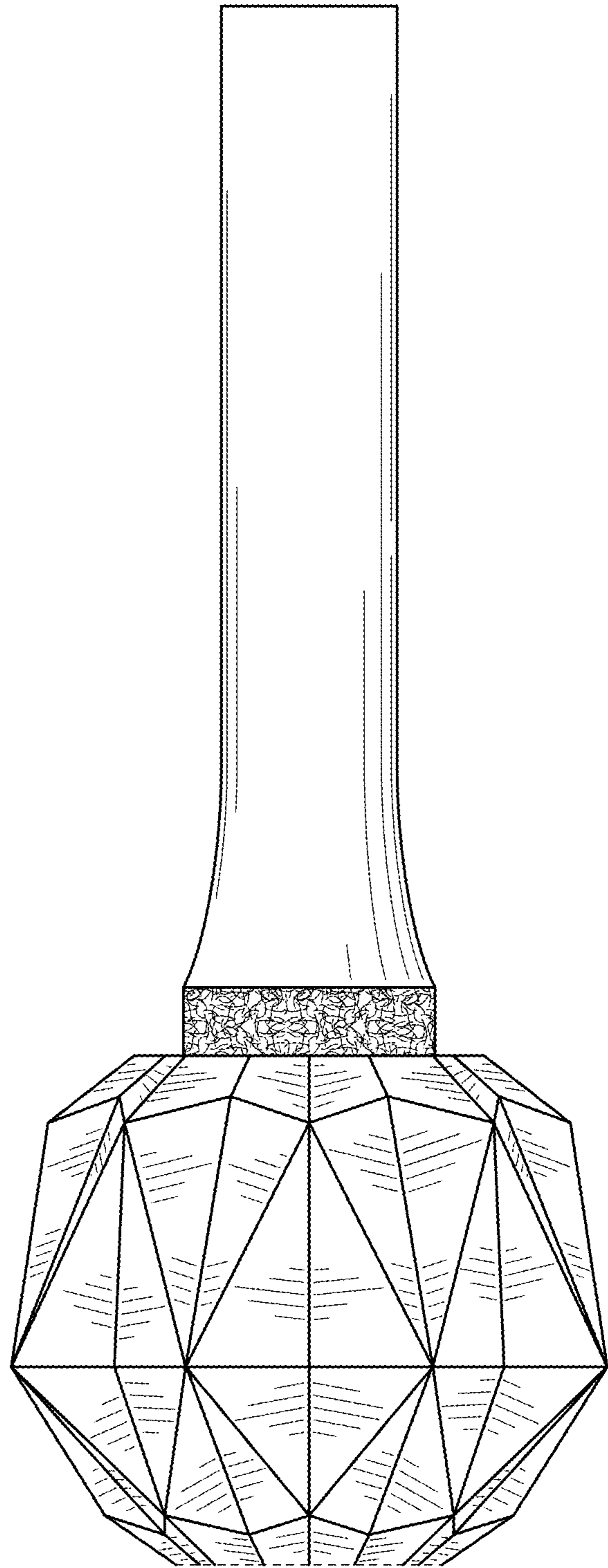


FIG. 17

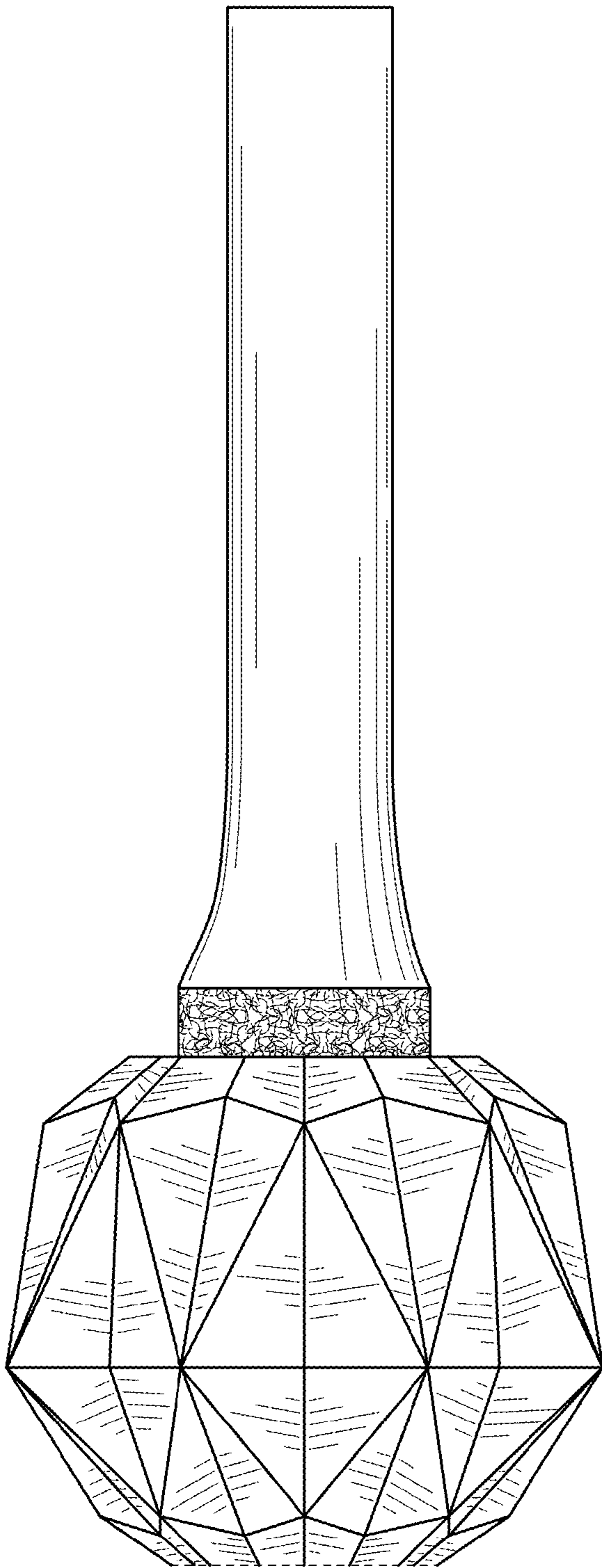


FIG. 18

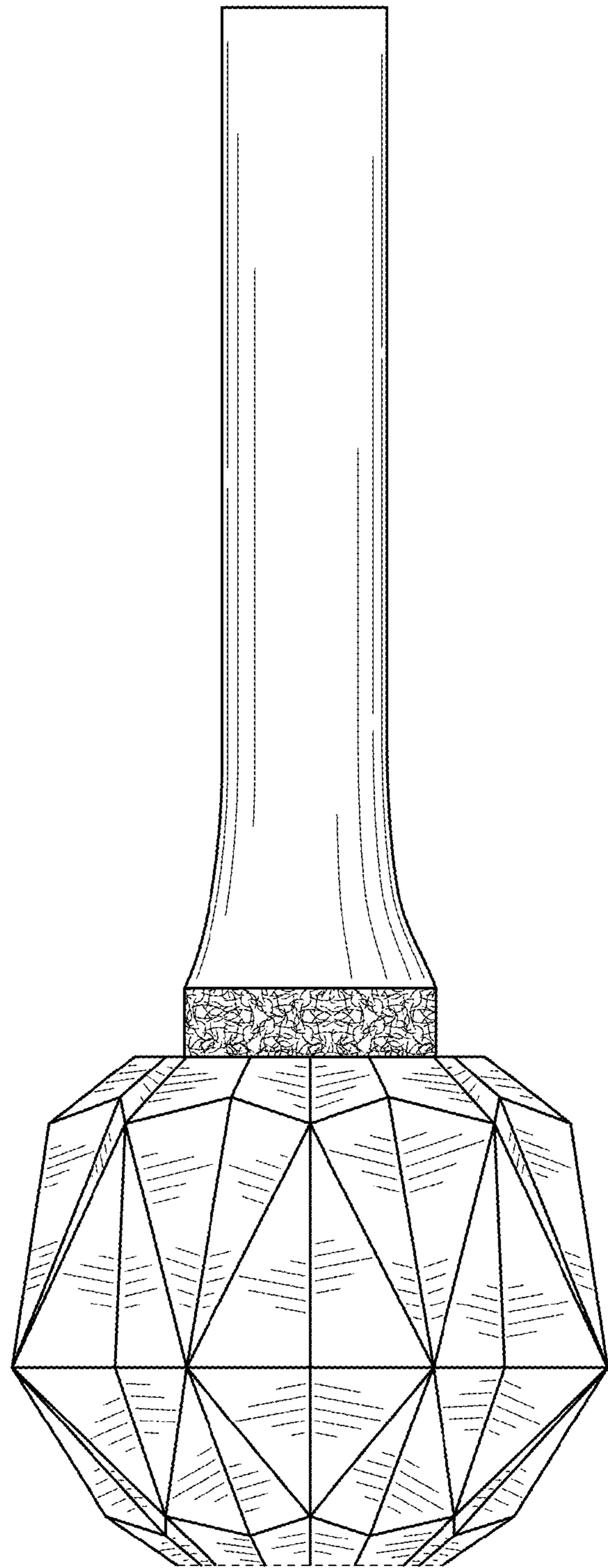


FIG. 19

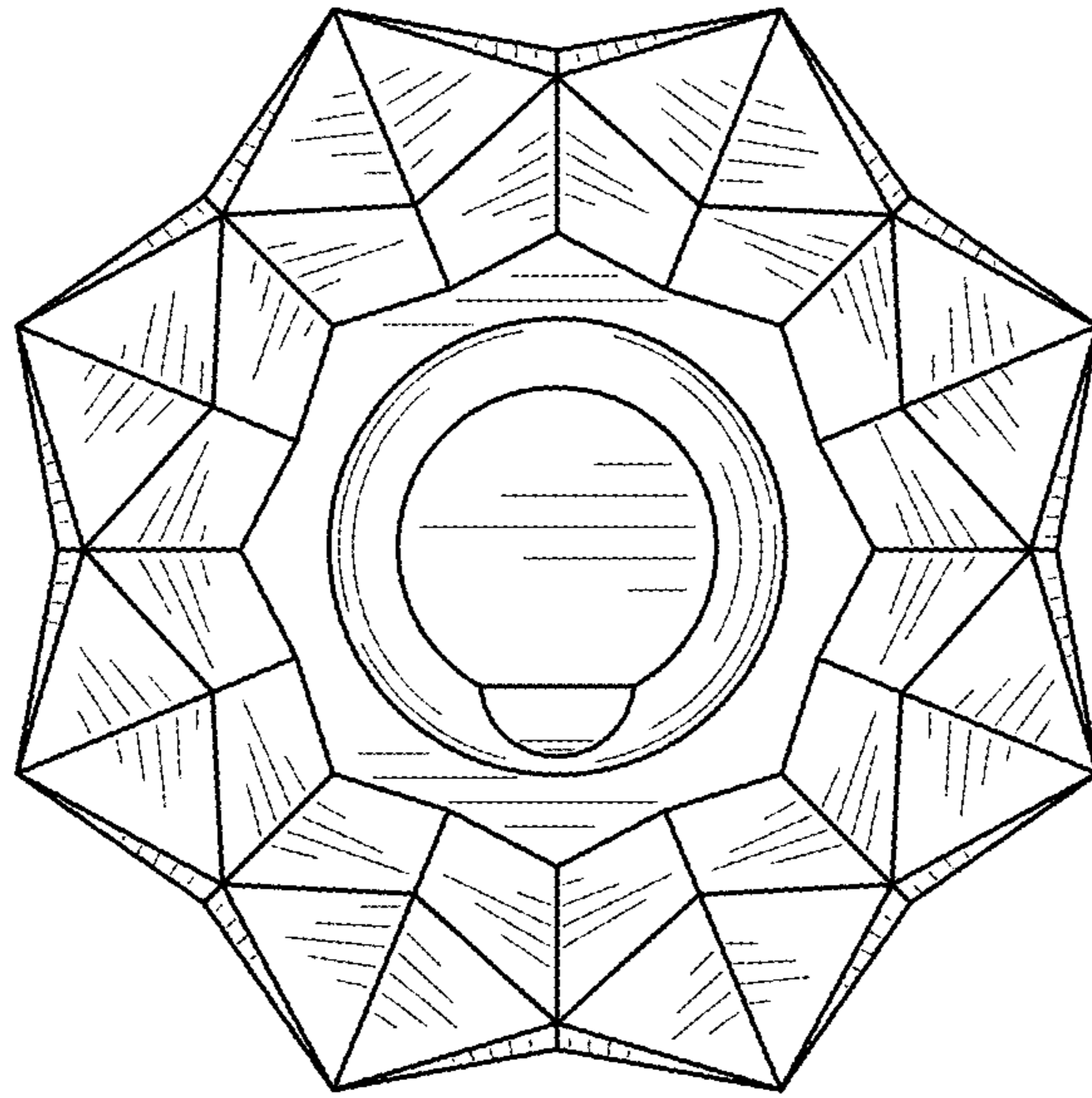


FIG. 20

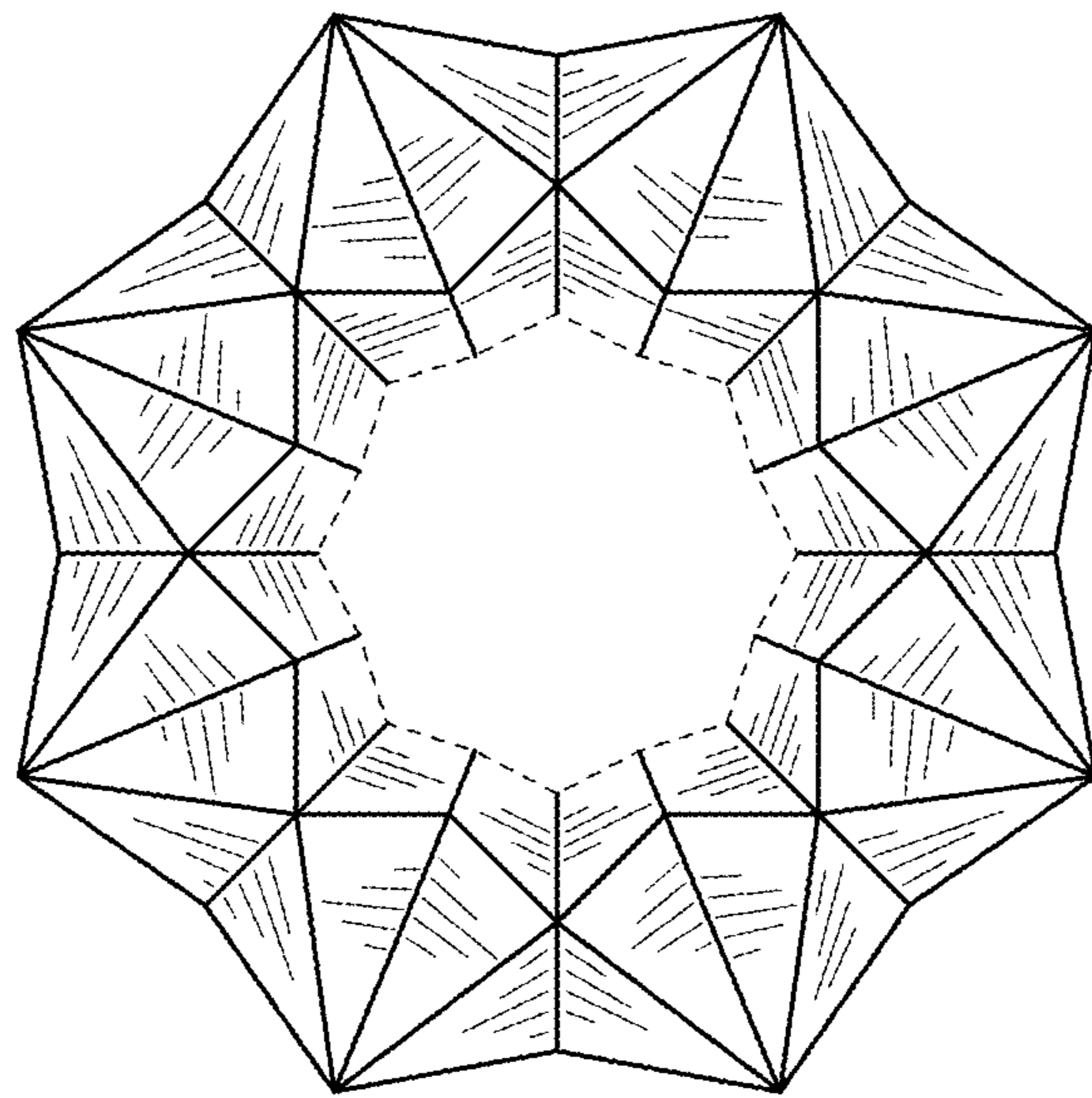


FIG. 21

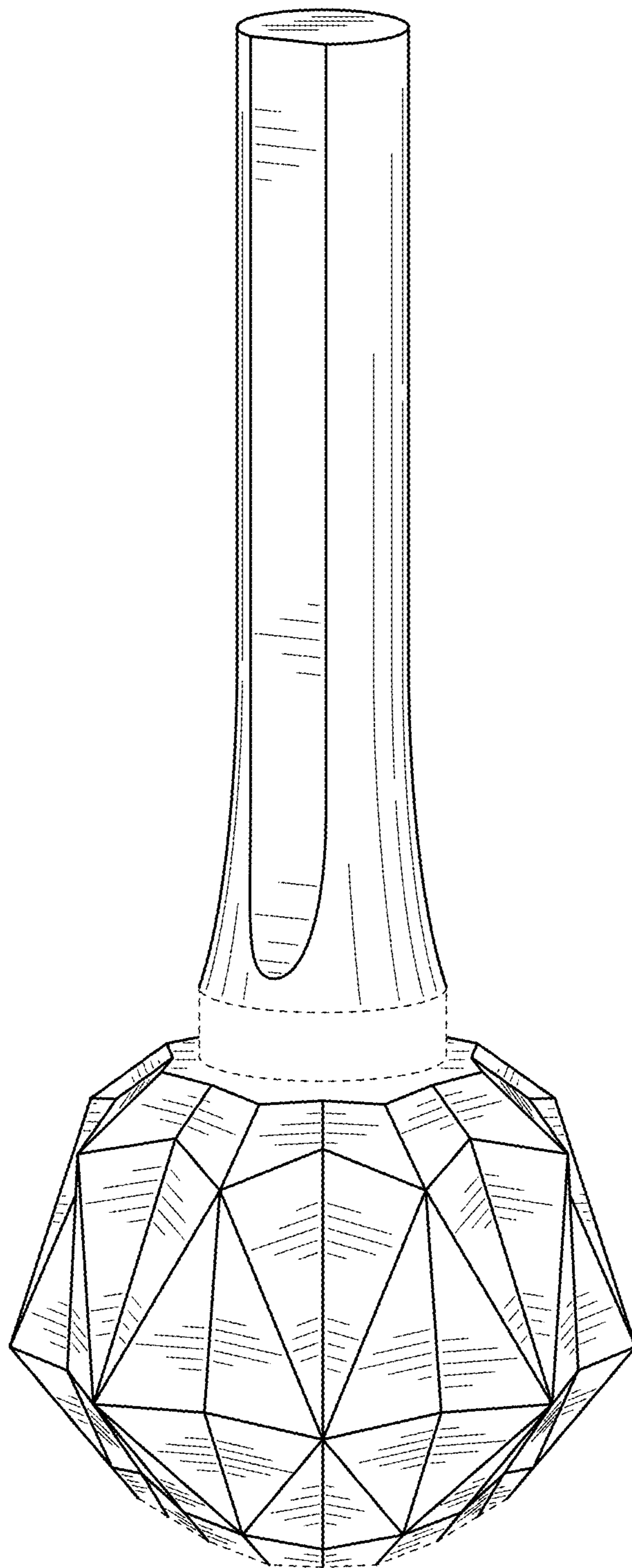


FIG. 22

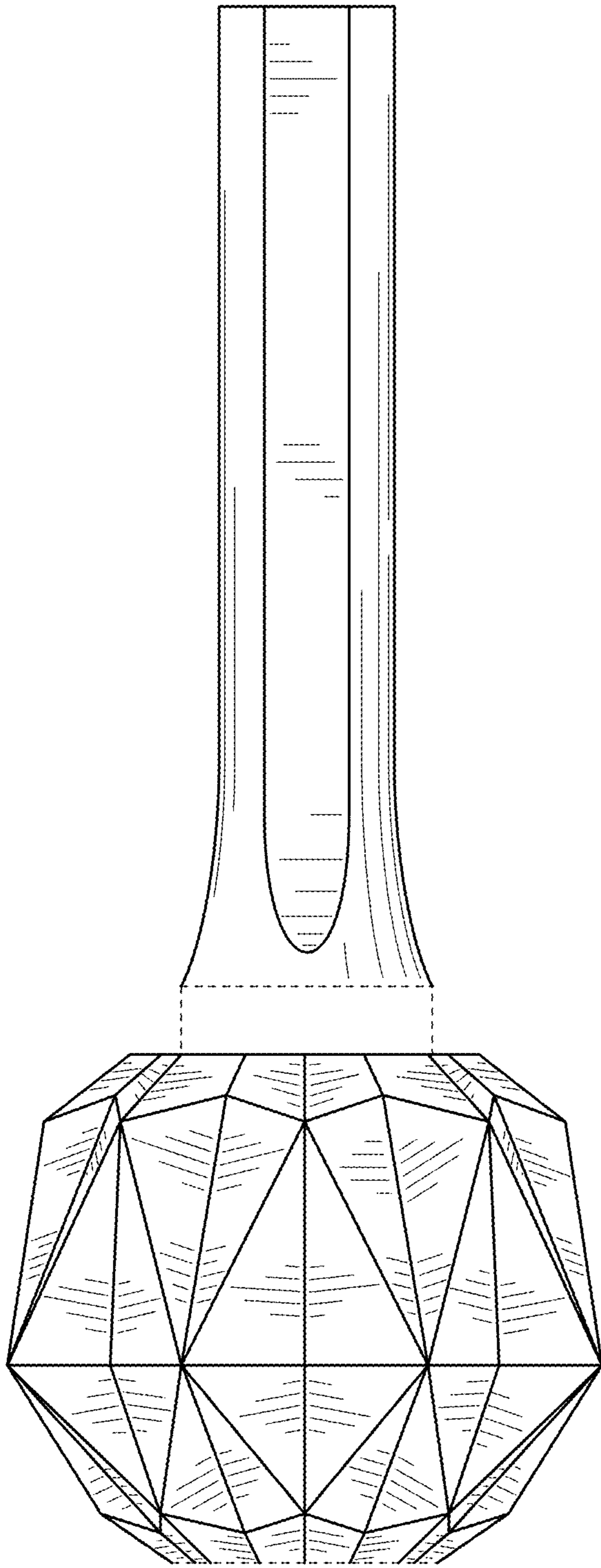


FIG. 23

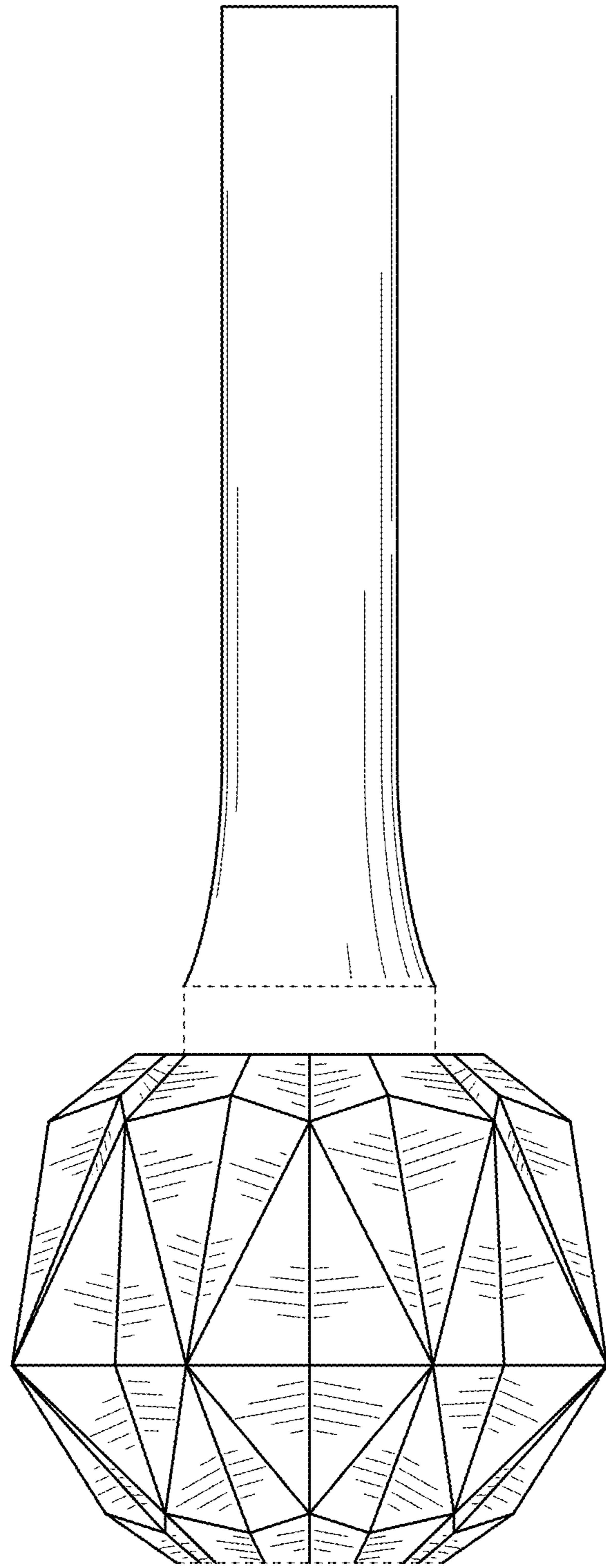


FIG. 24

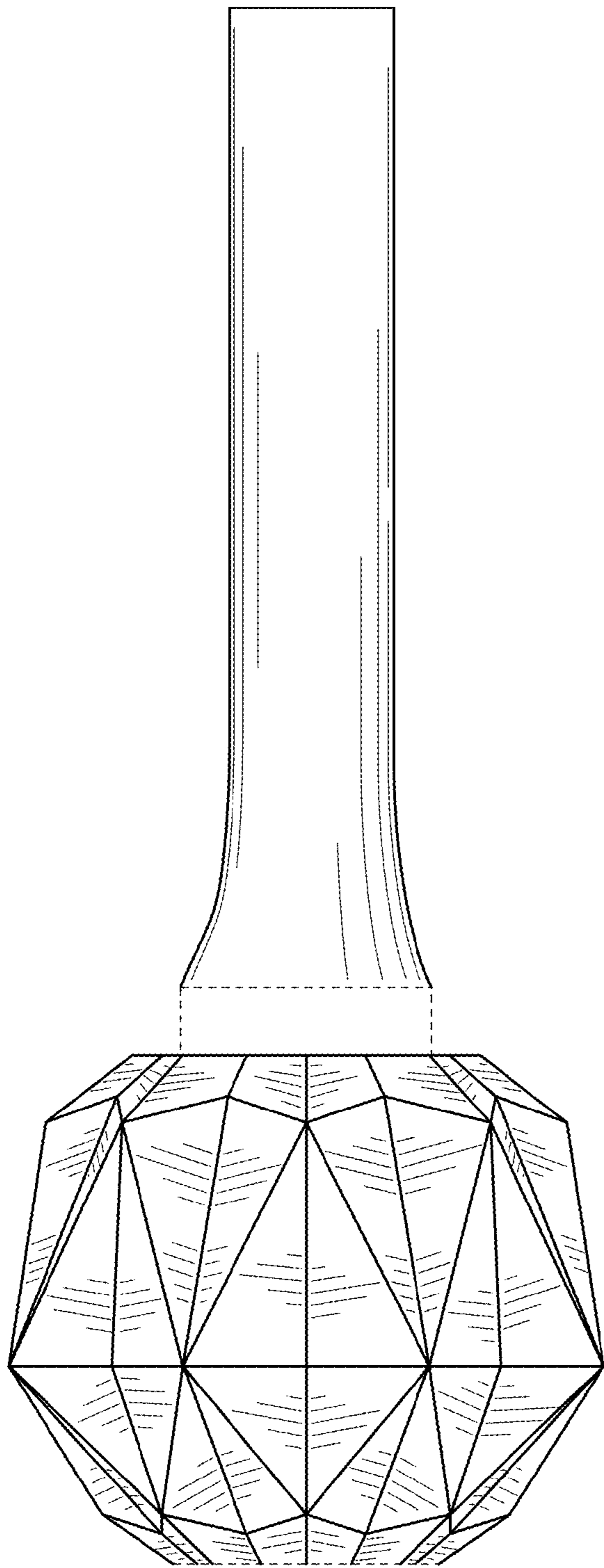


FIG. 25

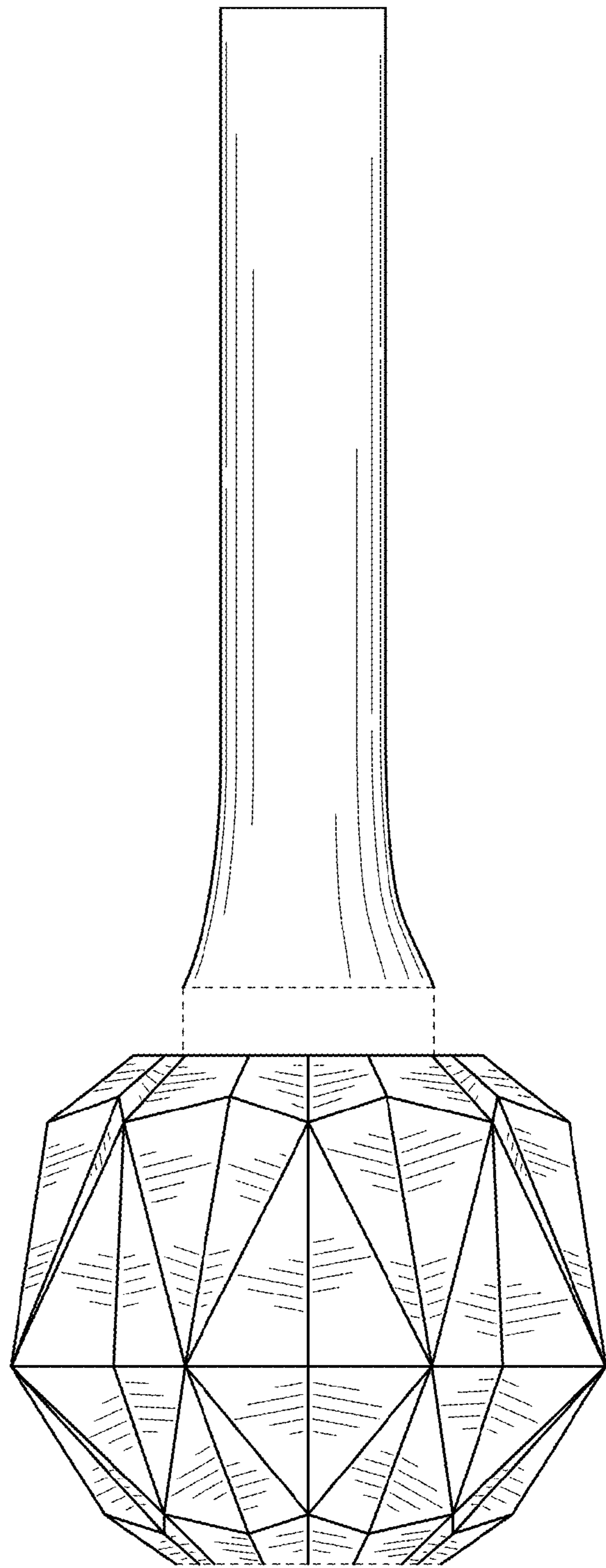


FIG. 26

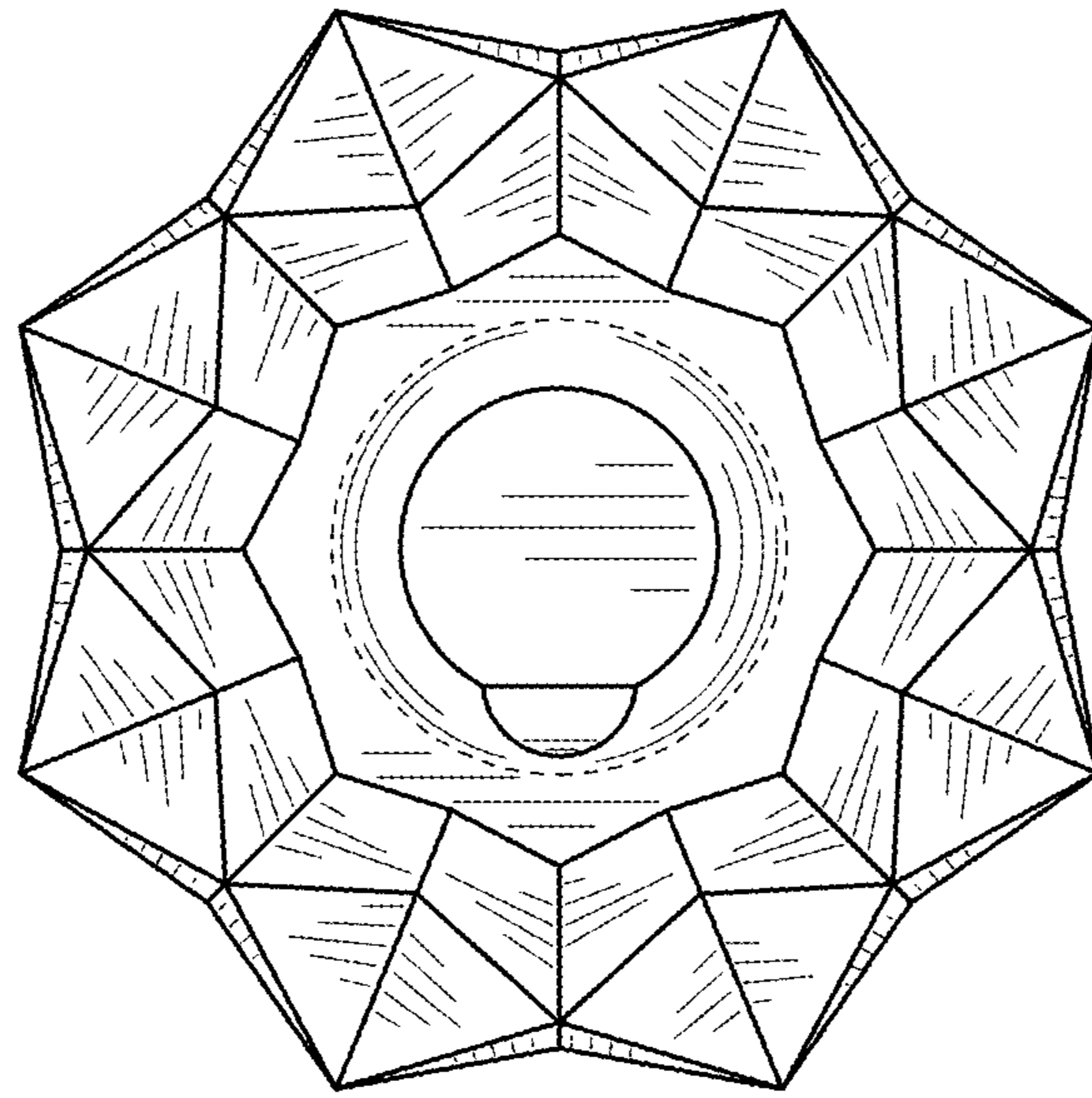


FIG. 27

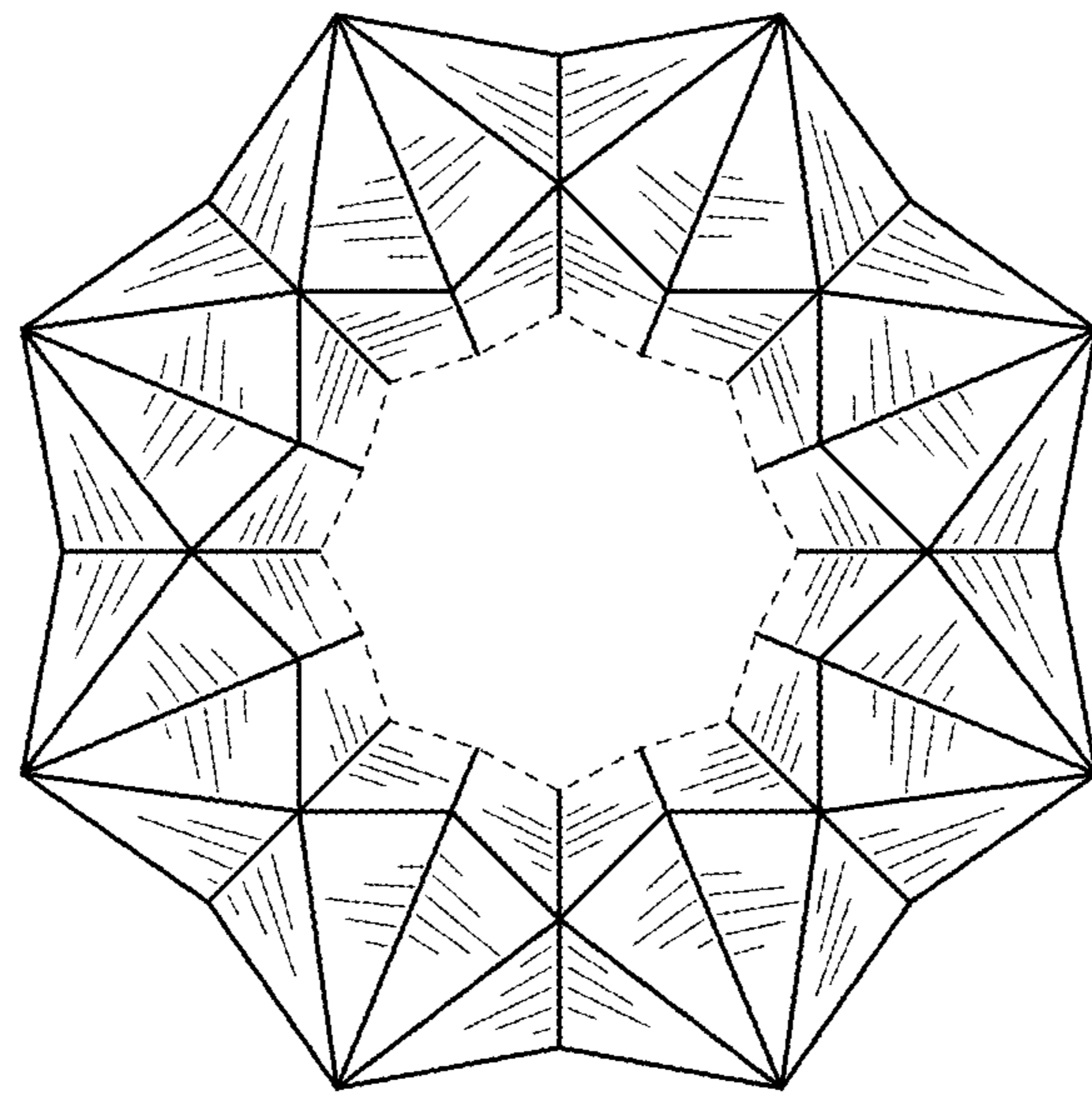


FIG. 28