



US00D910452S

(12) **United States Design Patent**  
**Hatcher et al.**

(10) **Patent No.:** **US D910,452 S**

(45) **Date of Patent:** **\*\* Feb. 16, 2021**

- (54) **BOTTLE**
- (71) Applicant: **The Procter & Gamble Company**,  
Cincinnati, OH (US)
- (72) Inventors: **Marc Christopher Hatcher**, Milford,  
OH (US); **Douglas Michael McGahan**,  
Bethel, OH (US)
- (73) Assignee: **The Procter & Gamble Company**,  
Cincinnati, OH (US)
- (\*\*) Term: **15 Years**
- (21) Appl. No.: **29/732,315**
- (22) Filed: **Apr. 23, 2020**
- (51) **LOC (13) Cl.** ..... **09-01**
- (52) **U.S. Cl.**  
USPC ..... **D9/542; D9/563; D9/571**
- (58) **Field of Classification Search**  
USPC ..... D9/434, 516, 530, 542, 549, 550, 558,  
D9/563, 571, 574, 715, 719  
CPC ..... B65D 1/00; B65D 1/02; B65D 1/0223;  
B65D 23/00; B65D 51/32; B65D  
2501/00; B65D 2501/0009; B65D  
2501/0081  
See application file for complete search history.

(56) **References Cited**  
U.S. PATENT DOCUMENTS

D67,808 S *	7/1925	Kammer	.....	D9/574
D201,997 S *	8/1965	Luedtke	.....	D9/525
D204,707 S *	5/1966	Abbott	.....	D9/526
D211,005 S *	5/1968	Vanderhyde	.....	D9/542
D222,530 S *	11/1971	Luedtke	.....	D9/529
D223,436 S *	4/1972	Hills	.....	D9/542
D225,834 S *	1/1973	Kneapler	.....	D9/571
D237,946 S *	12/1975	Pardo	.....	D9/529
D238,555 S *	1/1976	Blank	.....	D9/550

D246,953 S *	1/1978	Britt	.....	D9/542
D260,238 S *	8/1981	Costa	.....	D9/542
D270,711 S *	9/1983	Weckman	.....	D9/542
D353,775 S *	12/1994	Thompson	.....	D9/545
D447,696 S *	9/2001	Weber	.....	D9/531
D447,955 S *	9/2001	Beaver	.....	D9/542
D491,067 S *	6/2004	Crawford	.....	D9/542
D545,211 S *	6/2007	Armstrong	.....	D9/446
D558,590 S *	1/2008	Cowan-Hughes	.....	D9/682
D565,422 S *	4/2008	Cowan-Hughes	.....	D9/563
D635,462 S *	4/2011	Kuzma	.....	D9/542
D687,714 S *	8/2013	De Wilde	.....	D9/542
D758,874 S *	6/2016	Nguyen	.....	D9/542
D759,490 S *	6/2016	Cetnar	.....	D9/542
D759,492 S *	6/2016	Dominick	.....	D9/542
D794,469 S *	8/2017	Yen	.....	D9/563
D820,095 S *	6/2018	Palm	.....	D9/542
D821,112 S *	6/2018	Cannamela	.....	D6/542
D821,212 S *	6/2018	Cannamela	.....	D9/542
D821,882 S *	7/2018	Cannamela	.....	D9/529
D821,883 S *	7/2018	Cannamela	.....	D9/542
D822,493 S *	7/2018	Cannamela	.....	D9/529
D834,940 S *	12/2018	Mazzei	.....	D9/529

(Continued)

*Primary Examiner* — Dana Meyrow

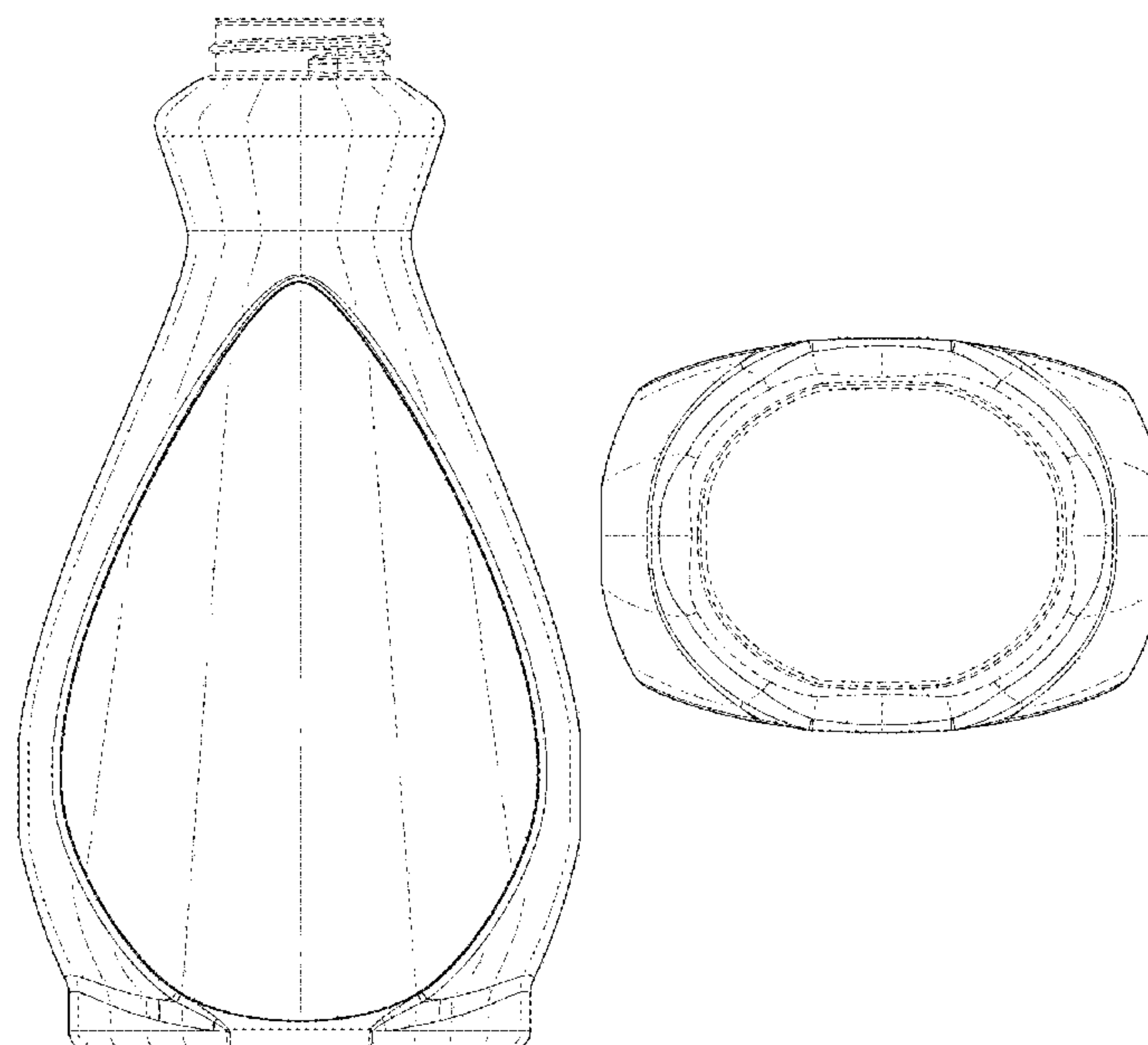
(57) **CLAIM**

The ornamental design for a bottle, as shown and described.

**DESCRIPTION**

FIG. 1 is a perspective view of an embodiment of a bottle embodying our new design;  
 FIG. 2 is a front view thereof;  
 FIG. 3 is a left view thereof;  
 FIG. 4 is a back view thereof;  
 FIG. 5 is a right view thereof;  
 FIG. 6 is a top view thereof; and,  
 FIG. 7 is a bottom view thereof.  
 The broken lines shown in the drawings illustrate portions of the bottle that form no part of the claimed design.

**1 Claim, 6 Drawing Sheets**



(56)

**References Cited**

U.S. PATENT DOCUMENTS

D839,099 S \* 1/2019 Rhodes ..... D9/529  
D871,912 S \* 1/2020 McGann ..... D9/543

\* cited by examiner

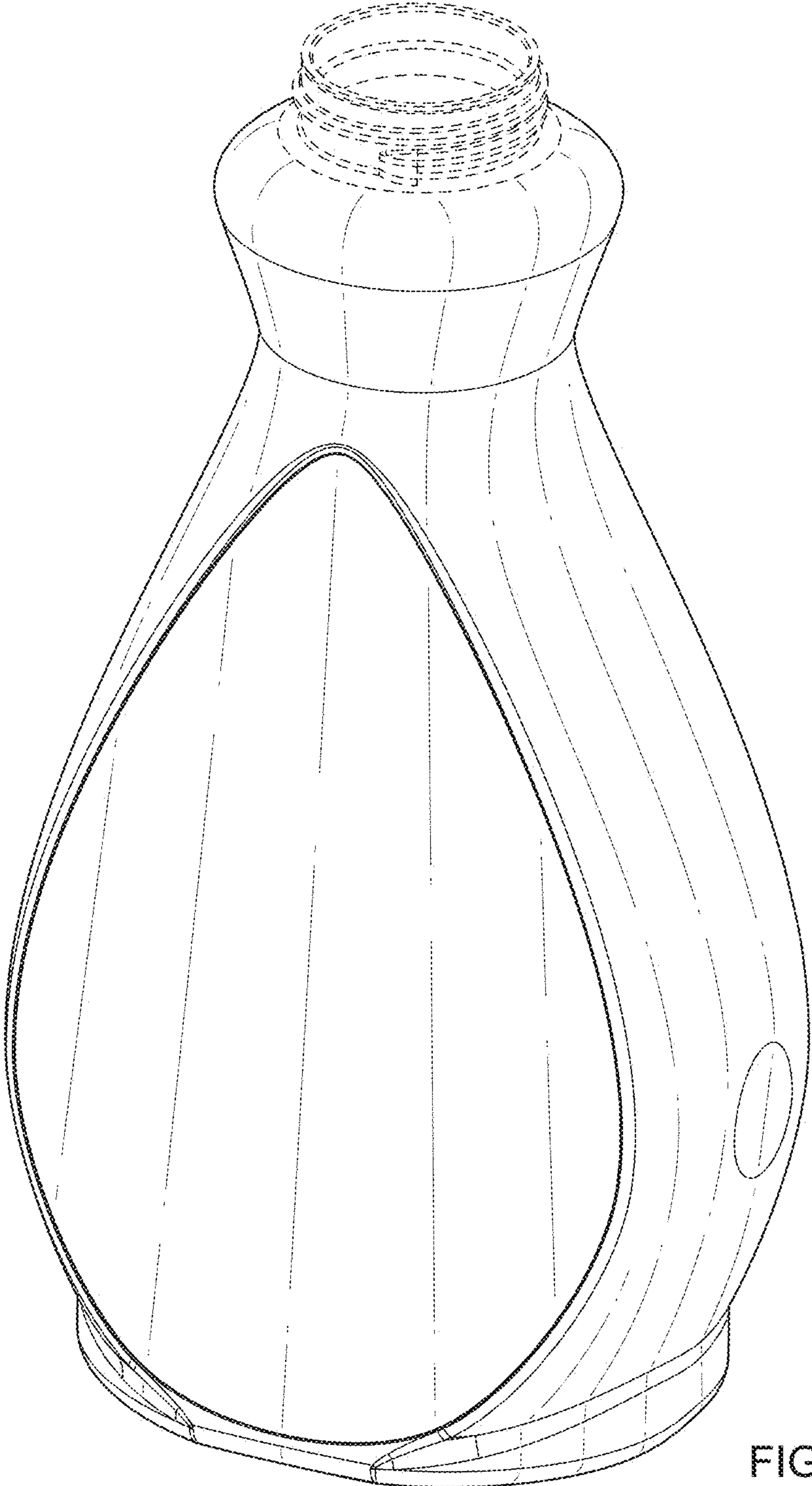


FIG. 1

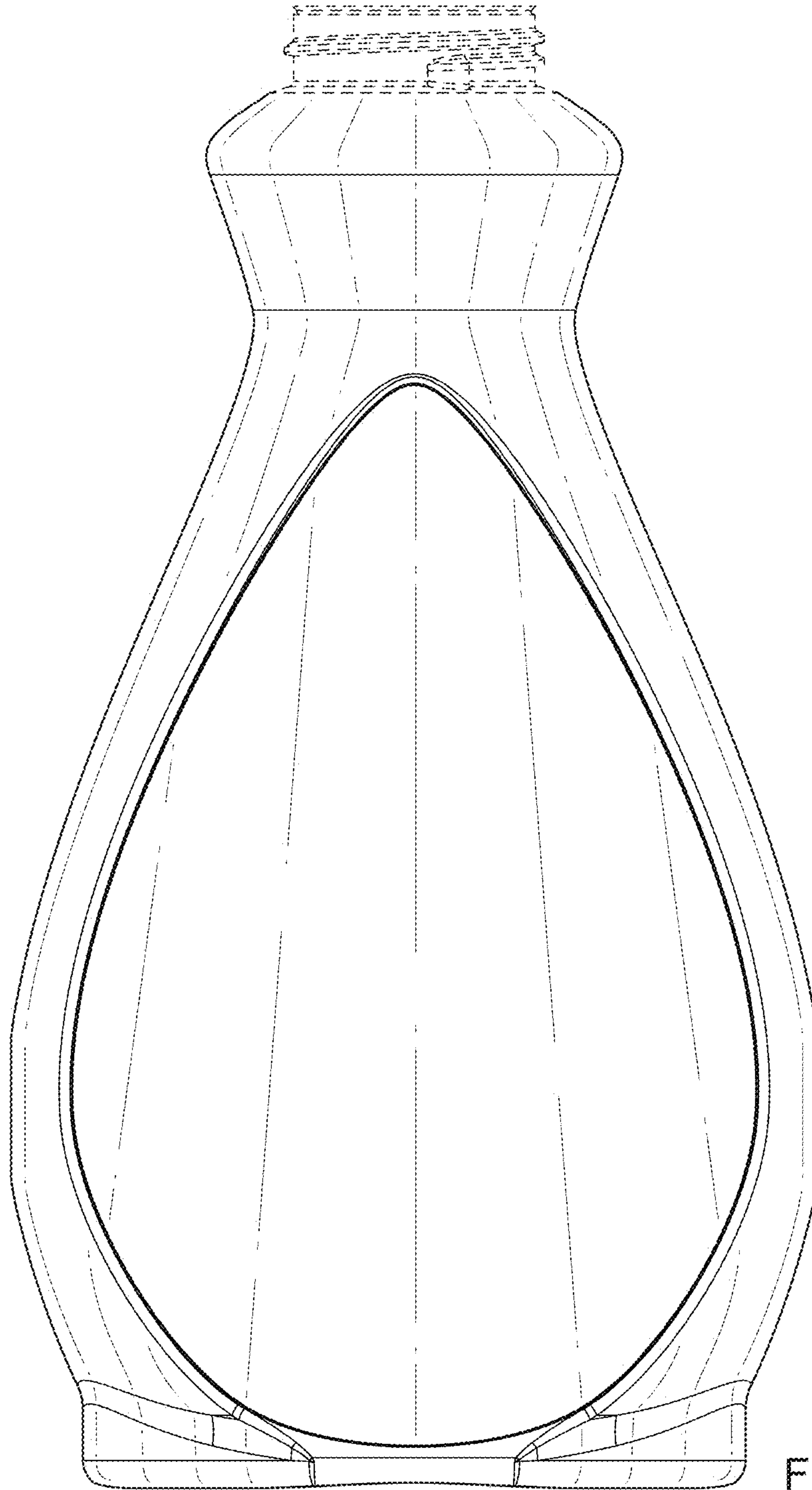


FIG. 2

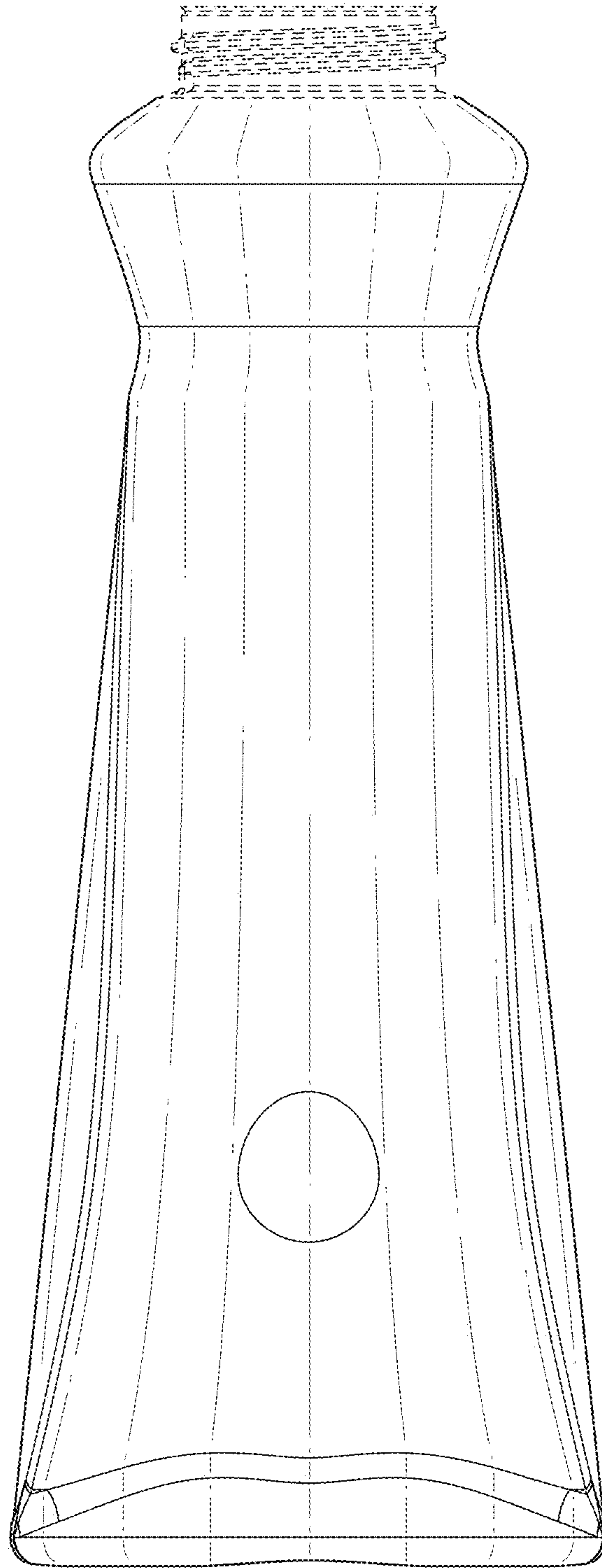


FIG. 3



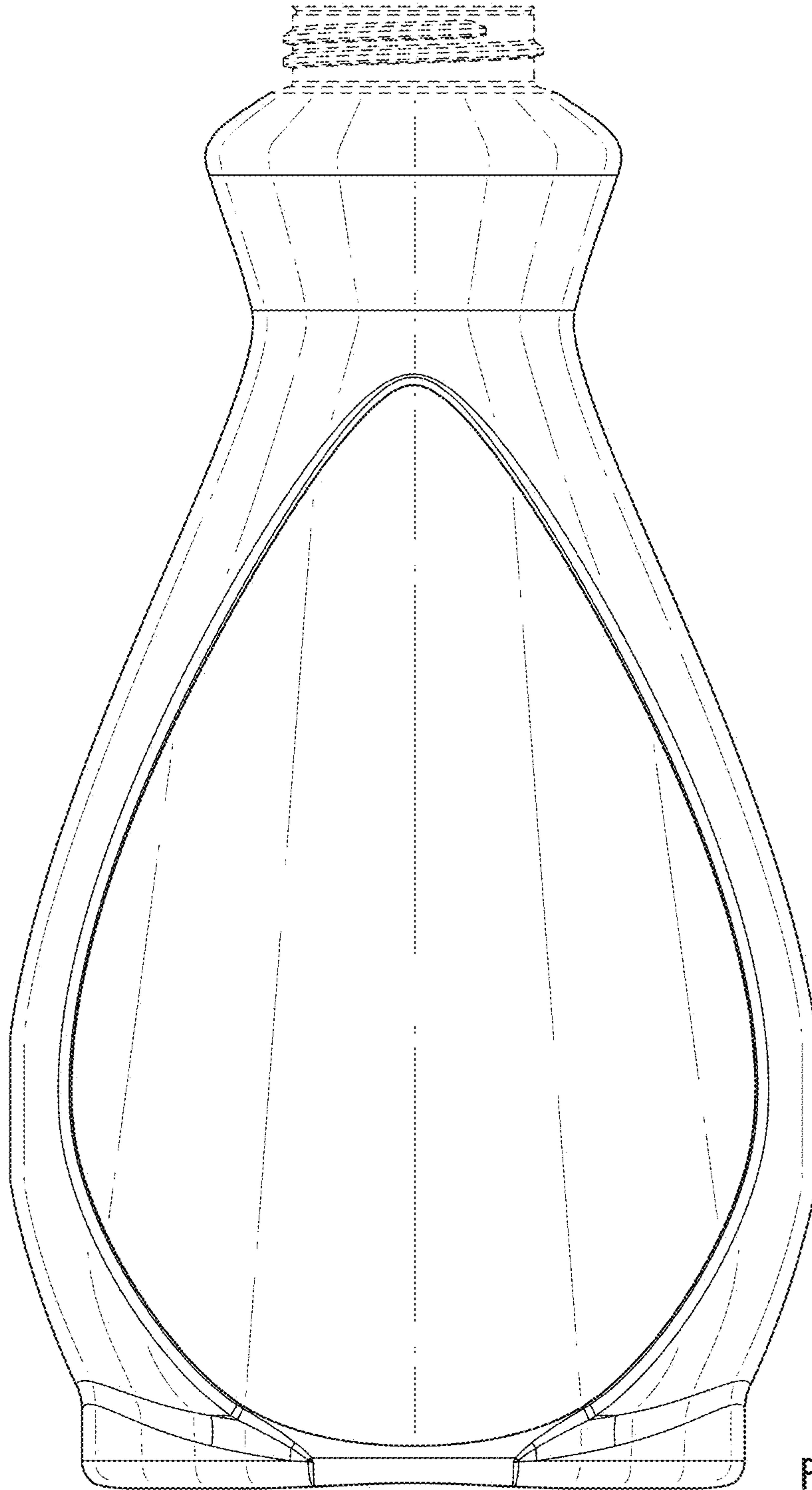


FIG. 4

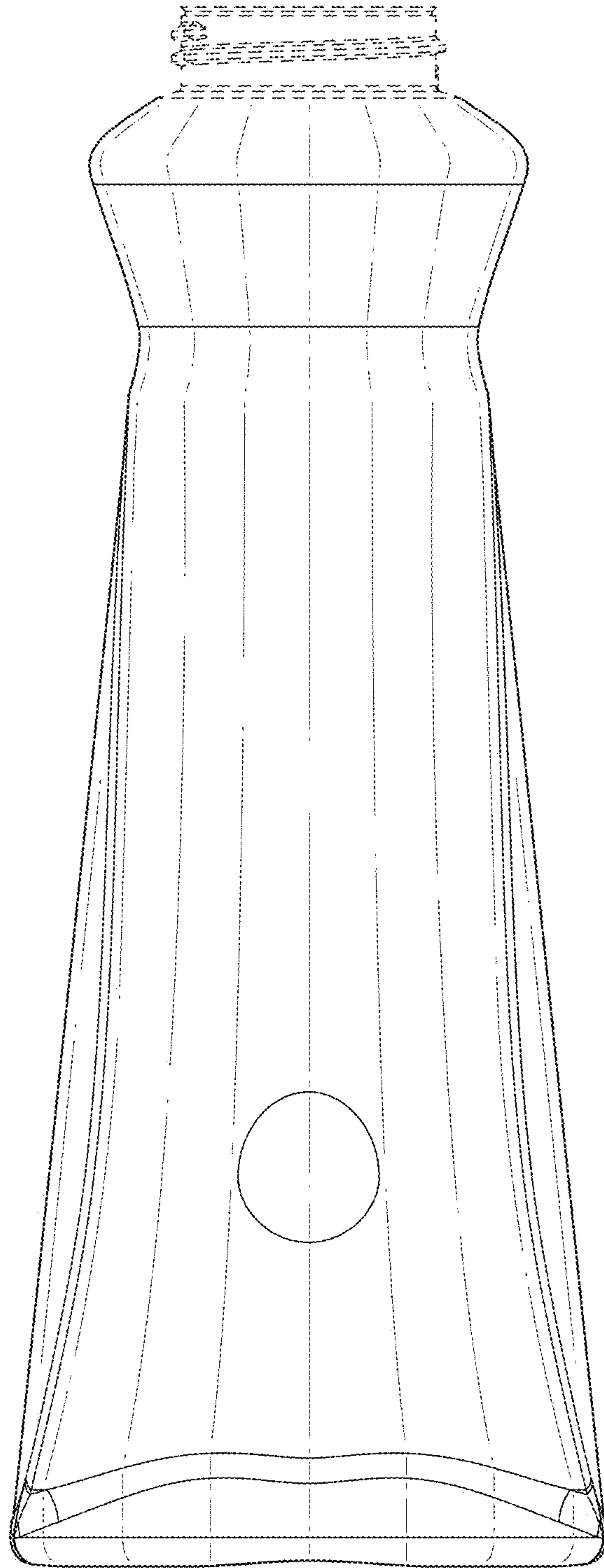


FIG. 5

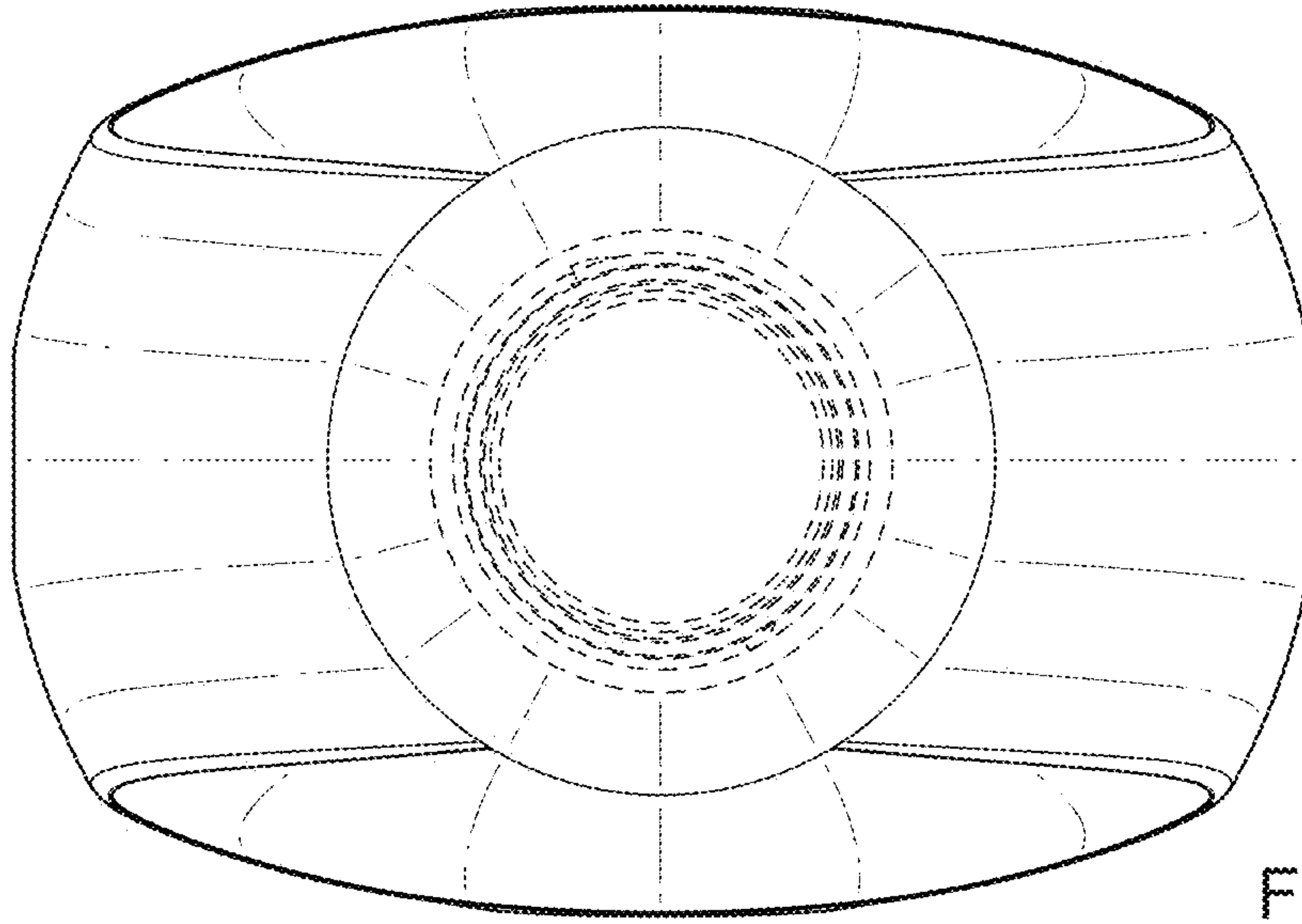


FIG. 6

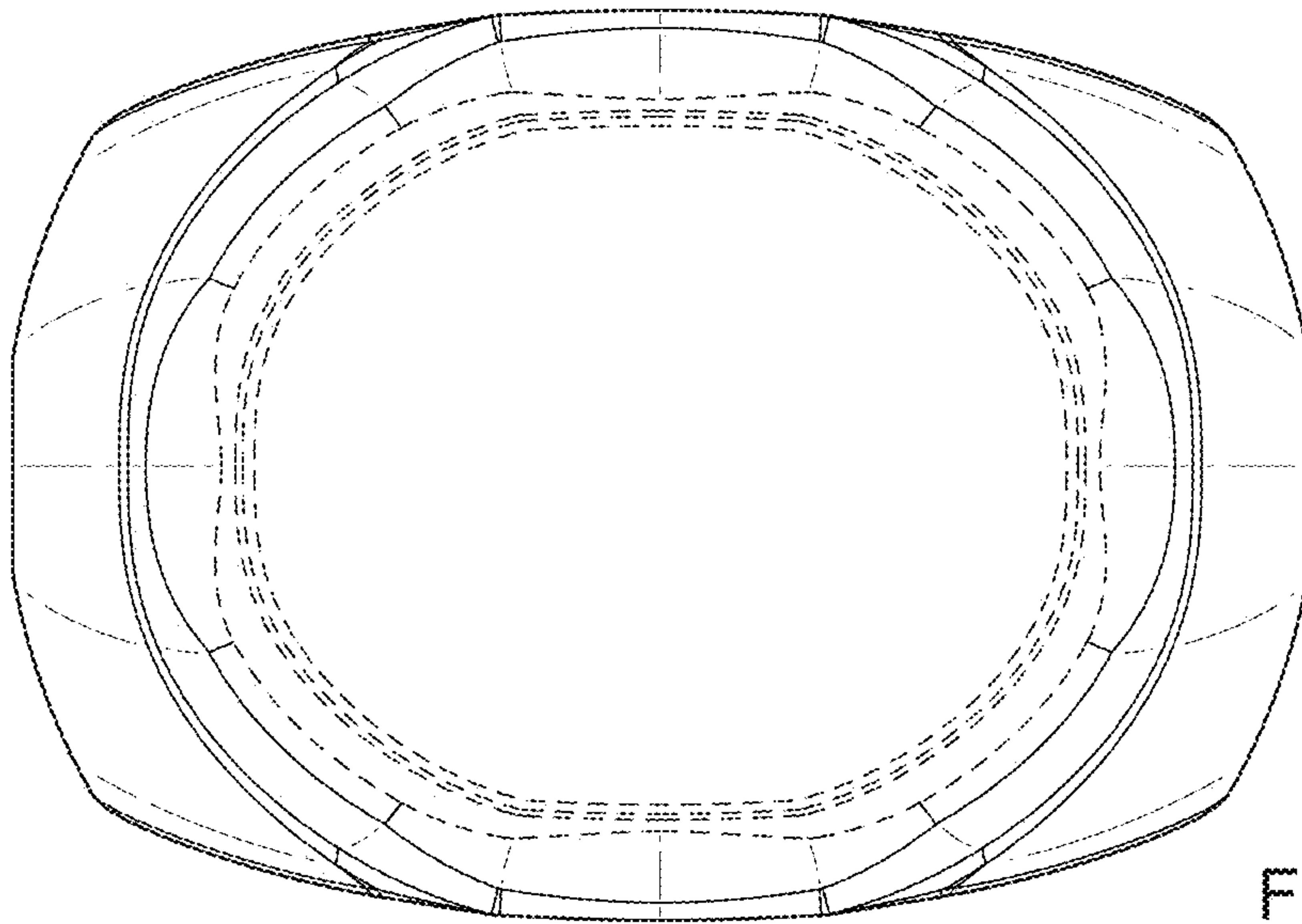


FIG. 7