



US00D910451S

(12) **United States Design Patent** (10) **Patent No.:** **US D910,451 S**
Lindsey (45) **Date of Patent:** **** Feb. 16, 2021**

(54) **MOBILE PHONE-ATTACHABLE DISPENSING CONTAINER**

D270,864 S * 10/1983 Martinez D28/5
D271,244 S * 11/1983 Martinez D28/5
D271,245 S * 11/1983 Martinez D28/5

(Continued)

(71) Applicant: **Bryce Lindsey**, Orange, CA (US)

(72) Inventor: **Bryce Lindsey**, Orange, CA (US)

(**) Term: **15 Years**

(21) Appl. No.: **29/751,240**

(22) Filed: **Sep. 18, 2020**

FOREIGN PATENT DOCUMENTS

EP 1679670 A1 7/2006
EP 2905571 A1 8/2015

OTHER PUBLICATIONS

4AllPromos, <https://www.4allpromos.com/product/hand-sanitizer-card-spray-20-ml> printed on Jun. 11, 2020 in 2 pgs.

(Continued)

Related U.S. Application Data

(62) Division of application No. 29/738,283, filed on Jun. 16, 2020.

(51) **LOC (13) Cl.** **09-01**

(52) **U.S. Cl.**
USPC **D9/523**

(58) **Field of Classification Search**
USPC D9/434-435, 447-448, 516, 523, 563,
D9/682, 687, 694, 715, 719, 733;
D3/202, 207-208; D14/251-252;
D28/77, 91.1; D15/89-90
CPC B65D 1/00; B65D 1/02; B65D 1/0223;
B65D 23/00; B65D 51/32; B65D
2501/00; B65D 2501/0009; B65D
2501/0081; A47K 5/06; A47K 5/12;
A47K 5/1202; A47K 5/1204; A47K
5/1205; A45D 34/00

See application file for complete search history.

Primary Examiner — Dana Meyrow

(74) *Attorney, Agent, or Firm* — Knobbe Martens Olson & Bear, LLP

(57) **CLAIM**

The ornamental design for a mobile phone-attachable dispensing container, as shown and described.

DESCRIPTION

FIG. 1 is a top, front perspective view of a mobile phone-attachable dispensing container showing my new design; FIG. 2 is an enlarged detail view taken from the area shown in FIG. 1; FIG. 3 is another top front, perspective view thereof; FIG. 4 is a front elevation view thereof; FIG. 5 is a rear elevation view thereof; FIG. 6 is a left side elevation view thereof; FIG. 7 is a right side elevation view thereof; FIG. 8 is a top plan view thereof; and, FIG. 9 is a bottom plan view thereof.

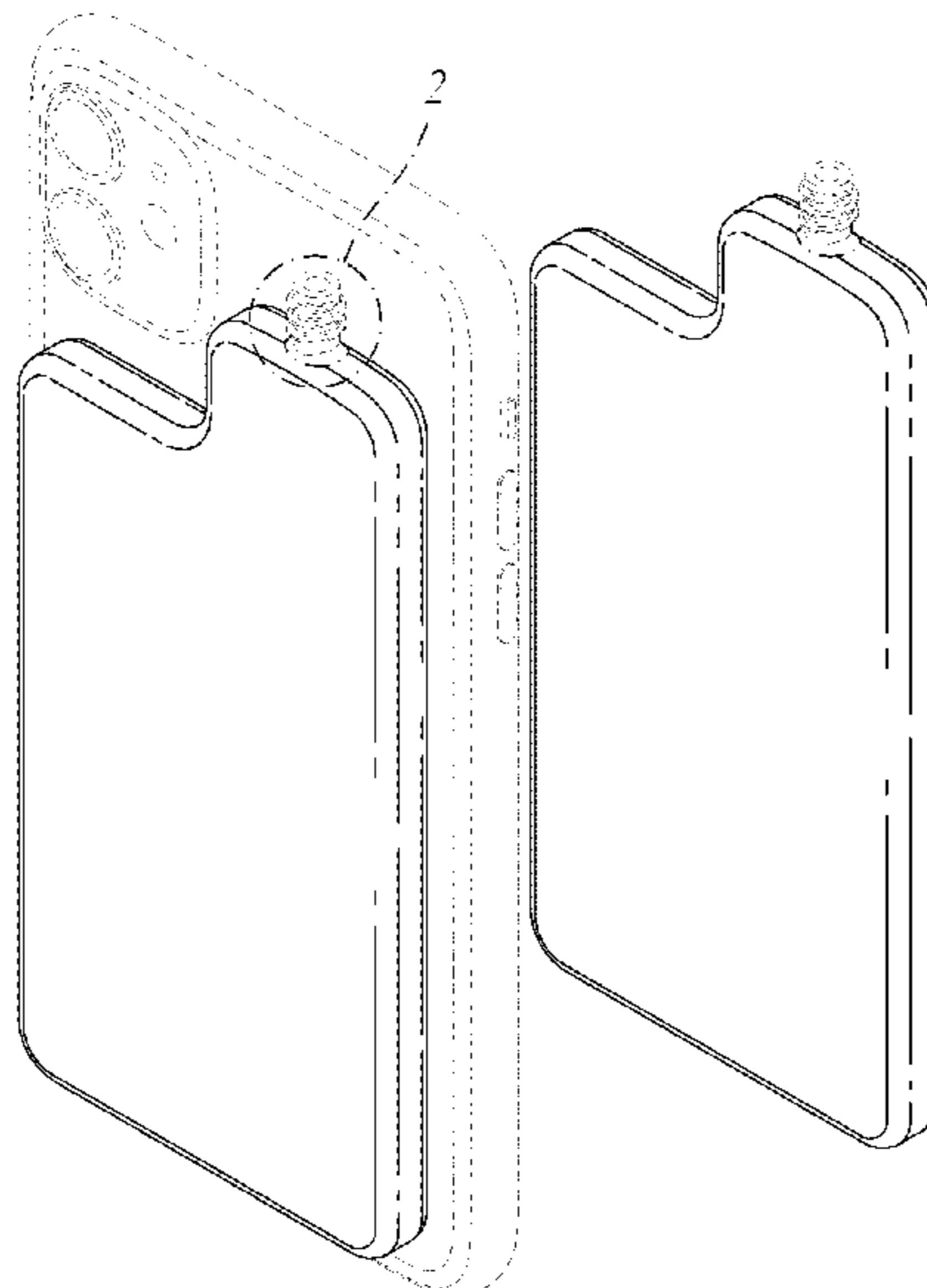
The broken lines in the figures show portions of the mobile phone-attachable dispensing container and/or environmental subject matter that form no part of the claimed design. The dot-dash-dot lines represent boundary lines and form no part of the claimed design.

(56) **References Cited**

U.S. PATENT DOCUMENTS

D155,683 S * 10/1949 Bruneau D28/91.1
D222,825 S * 1/1972 Newman D9/687
D222,827 S * 1/1972 Newman D9/687
D247,158 S 2/1978 Evangelista et al.
D270,863 S * 10/1983 Martinez D28/5

1 Claim, 7 Drawing Sheets



(56)

References Cited

U.S. PATENT DOCUMENTS

D277,549 S * 2/1985 Martinez D9/448
 D280,181 S * 8/1985 Vitrac
 D292,066 S * 9/1987 Rodriguez Gazulla D28/91.1
 D297,310 S * 8/1988 Mednis
 D322,383 S * 12/1991 Jones D15/90
 D334,795 S * 4/1993 Demarest D23/225
 D338,336 S * 8/1993 Grant D27/161
 D344,231 S * 2/1994 Gagnon D9/686
 D473,572 S * 4/2003 Linberg D15/90
 D491,314 S * 6/2004 Cousins D28/77
 D492,067 S * 6/2004 Garcia D28/5
 D532,695 S 11/2006 Grant
 D536,354 S 2/2007 Kufner et al.
 D567,437 S 4/2008 Smith
 D586,227 S 2/2009 Caten et al.
 D605,524 S * 12/2009 Manocheo D9/573
 D610,261 S * 2/2010 Strother D24/186
 D611,351 S * 3/2010 Mansau D9/529
 D628,495 S * 12/2010 Sheikh D9/733
 D655,199 S * 3/2012 Ciriani D9/686
 D656,409 S * 3/2012 Tadmor D9/687
 D666,922 S 9/2012 Khan
 D715,155 S 10/2014 Meyers
 D747,652 S 1/2016 Engelen et al.
 D769,721 S * 10/2016 Zahr D9/523
 D799,746 S * 10/2017 Leidel D27/163
 D806,556 S * 1/2018 Finch D9/682
 D833,672 S * 11/2018 Qiu D27/163
 D834,945 S 12/2018 LaPorte et al.
 D838,472 S 1/2019 Gauss
 D846,996 S 4/2019 LaPorte et al.
 D854,937 S * 7/2019 Li D9/573
 D858,869 S * 9/2019 Bowen D27/162
 D863,676 S * 10/2019 Perez A24F 40/42
 D27/167
 10,571,955 B2 2/2020 Oliveira
 2003/0071076 A1 * 4/2003 Tenzer A45D 34/02
 222/385
 2014/0034644 A1 * 2/2014 Wahl A47G 19/2266
 220/254.6

OTHER PUBLICATIONS

Amazon Purell, <https://www.amazon.com/purell-2008-03-hand-sanitizing-spray/dp/b00vg64y5y> printed on Jun. 11, 2020 in 6 pgs.
 Bagmasters, <https://www.bagmasters.com/2-oz-hand-sanitizer?quantity=1> printed on Jun. 11, 2020 in 2 pgs.
 Etsy, https://www.etsy.com/listing/714826631/personalized-hand-sanitizer-label-baby?ref=landingpage_similar_listing_top-1&frs=1 printed on Jun. 11, 2020 in 4 pgs.
 GOImPrints, <https://www.goimprints.com/product/credit-card-anitbacterial-hand-sanitizer-sprayer-200303329> printed on Jun. 11, 2020 in 2 pgs.
 Indiegogo, <https://indiegogo.com/projects/atomyzer-the-case-that-sprays#/> printed on Jun. 11, 220 in 2 pgs.
 Made-in-China, <https://sunbro.en.made-in-china.com/product/oFvQJlbKhnhl/China-280ml-500ml-Hand-Sanitizer-Plastic-Lotion-Pump-Pet-Alcohol-Bottle.htm> printed on Jun. 11, 2020 in 7 pgs.
 Magid, <https://www.magidglove.com/PURELL-SANTIZER-4-OZ-BOTTLES-GJ9651.aspx> printed on Jun. 11, 2020 in 3 pgs.
 Ocean Star, <https://www.oceanstar-inc.com/product-details/15ml-mini-pocket-moisturizing-hand-sanitizer/> printed on Jun. 11, 2020 in 2 pgs.
 Oempromo, <http://www.oempromo.com/product/Hand-Sanitizers/A/Anti-bacterial-Hand-Sanitizer-W--Beads-In-Sport-Tottie-W-Carabiner-97840.htm> printed on Jun. 11, 2020 in 1 pg.
 PMGOA, <https://www.pmgoa.com/products/round-shaped-credit-card-style-antibacterial-hand-sanitizer-spray/> printed on Jun. 11, 2020 in 2 pgs.
 Promo-wholesale, <https://www.promo-wholesale.com/china/Hand-Sanitizers/5/Sani-pen-2-Alcohol-free-Instant-Hand-Sanitizer-Spray-96515.htm> printed on Jun. 11, 2020 in 2 pgs.
 Quality Logo Products, <https://www.qualitylogoproducts.com/germs-sanitizationa/2-in-1-spf-30sunscreenandhandsanitizerspray.htm> printed on Jun. 11, 2020 in 4 pgs.
 Quality Logo Products, <https://www.qualitylogoproducts.com/tradeshaw-promotions/mini-sanitizer-bottle-full-colordigital30ml.htm> printed on Jun. 11, 2020 in 4 pgs.
 Swanson, <https://www.swansonvitamins.com/eo-products-organic-hand-sanitizer-spray-lavendar-2-ft-oz-59-ml-liquid> printed on Jun. 11, 2020 in 3 pgs.
 Touchland, <https://touchland.com/collections/touchland/products/power-mist-neutral> printed on Jun. 11, 2020 in 5 pgs.
 YouTube, https://www.youtube.com/watch?v=uqfurK4yFUk&feature=emb_title printed on Jun. 11, 2020 in 3 pgs.

* cited by examiner

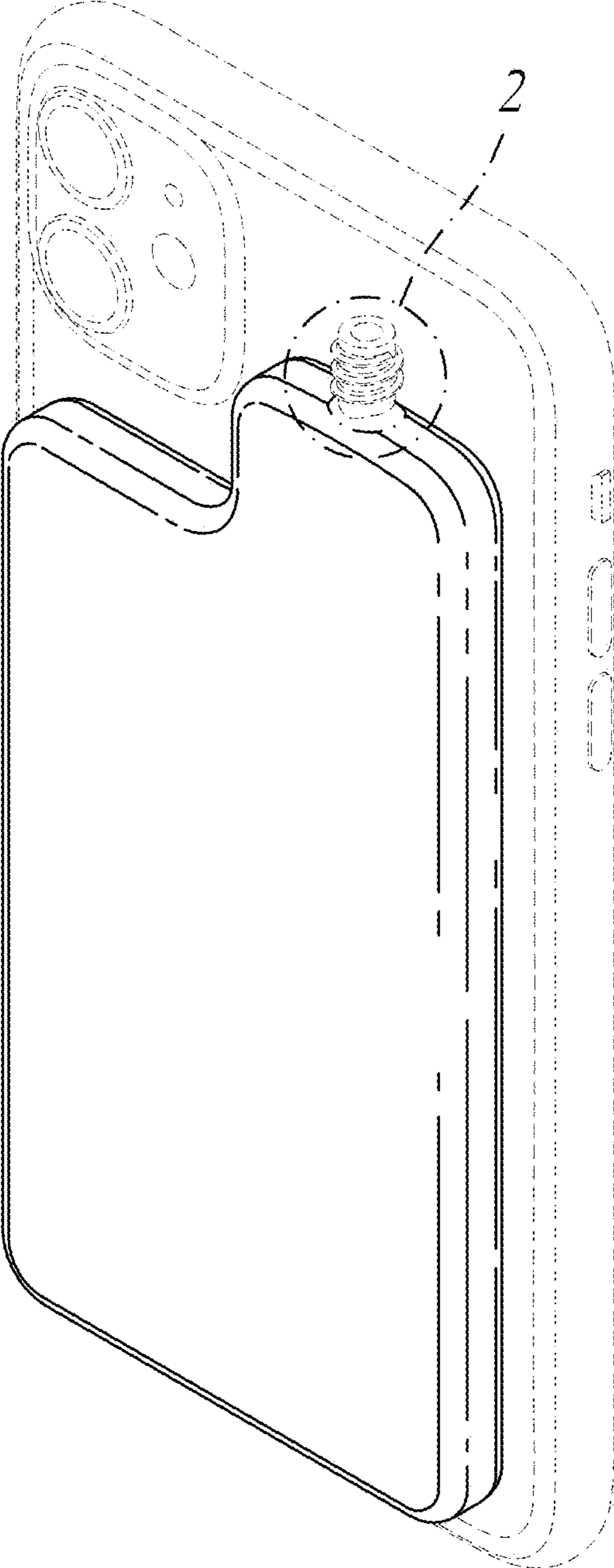


FIG. 1

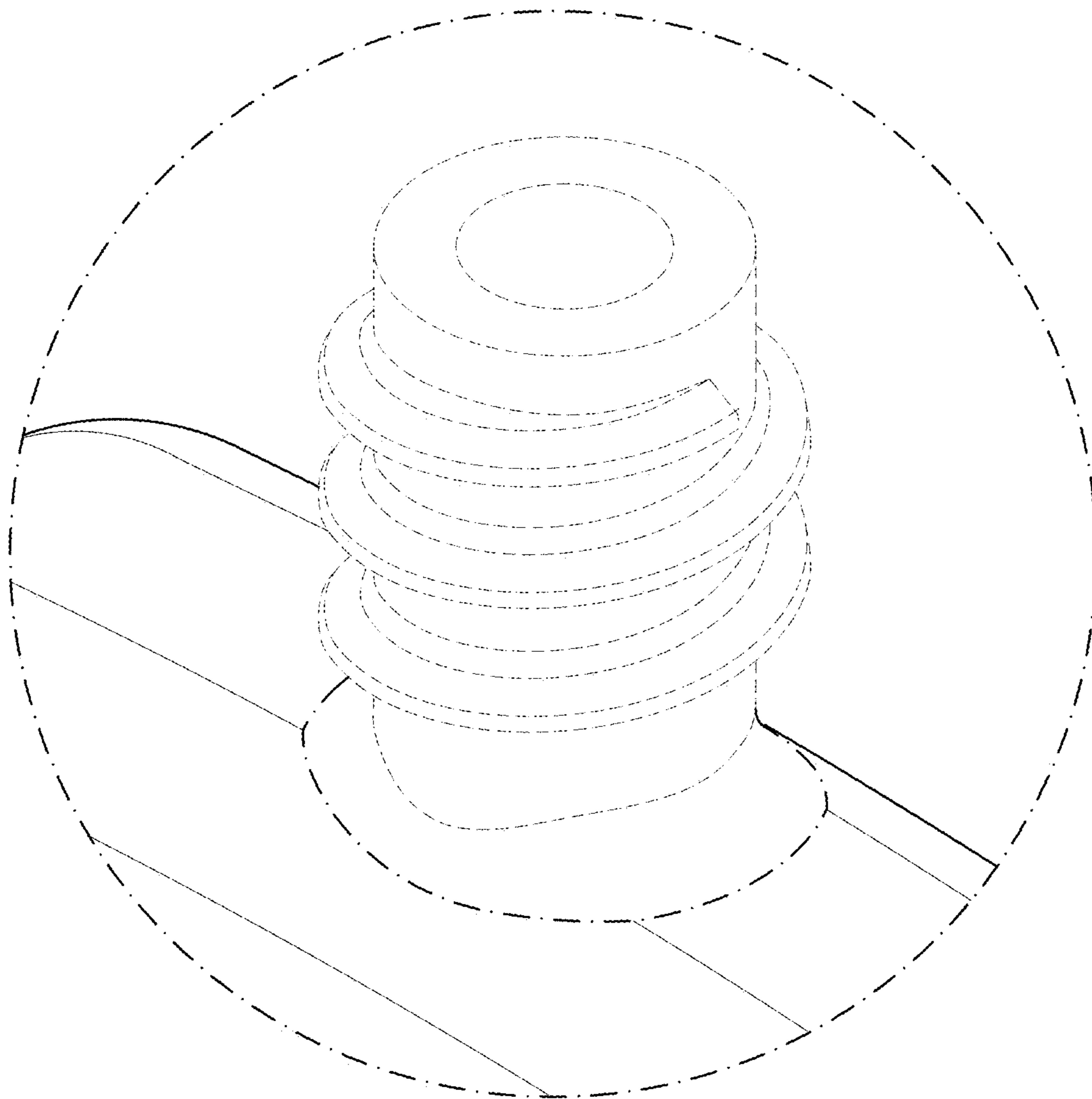


FIG. 2

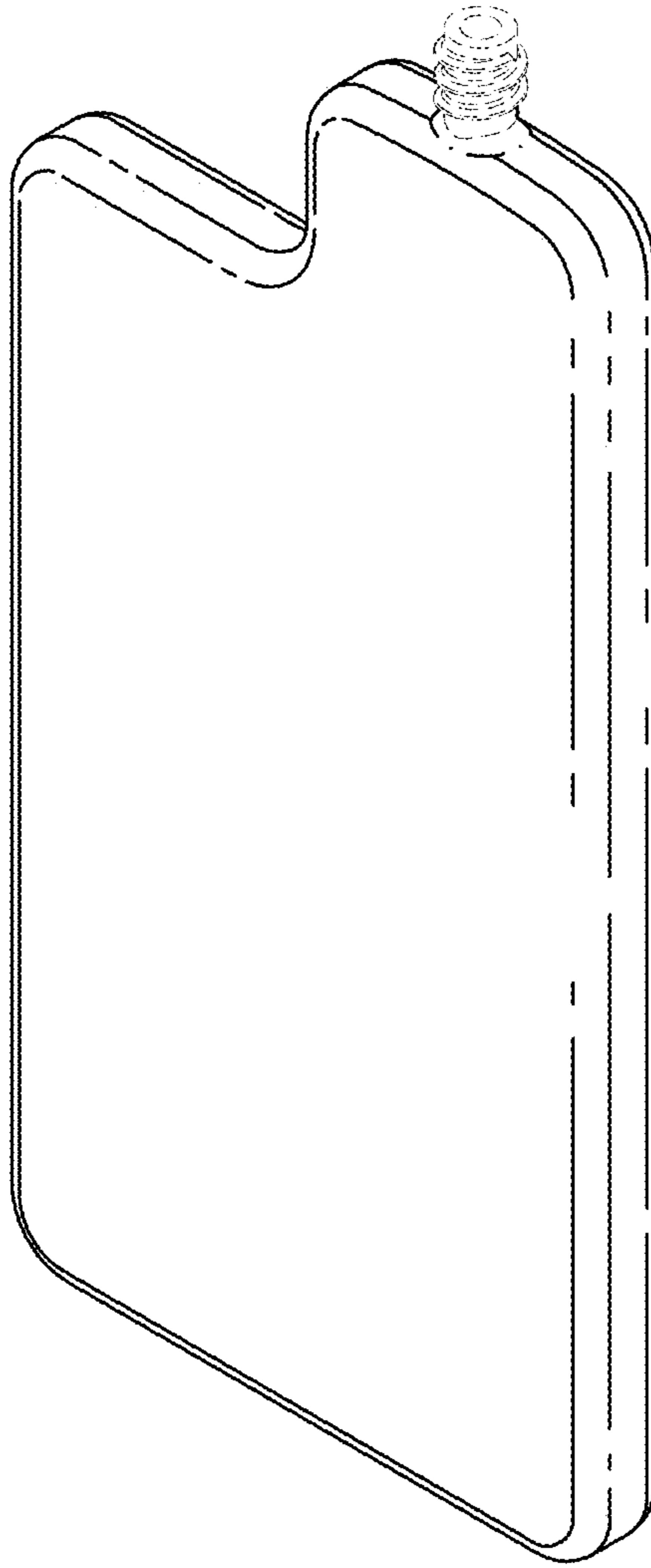


FIG. 3

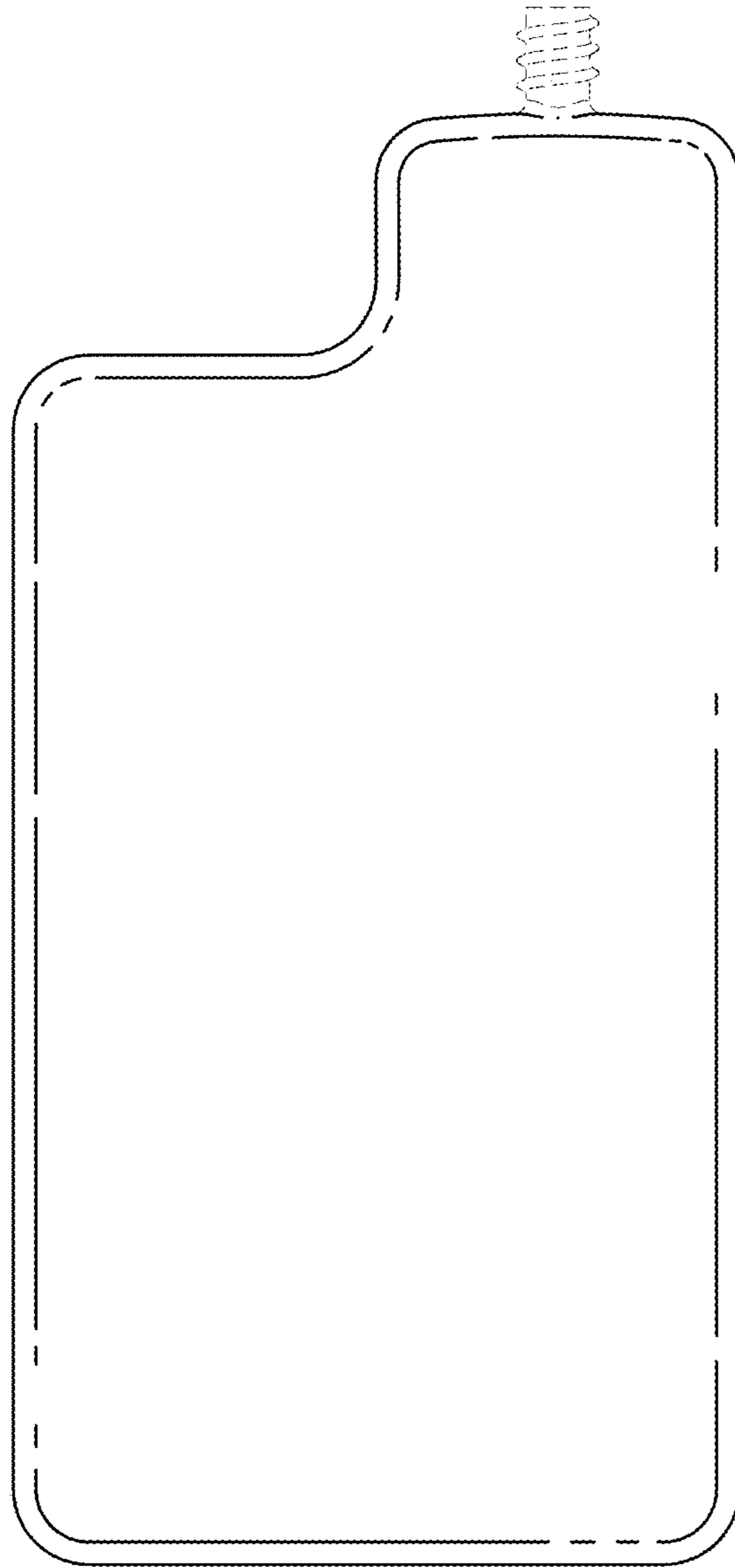


FIG. 4

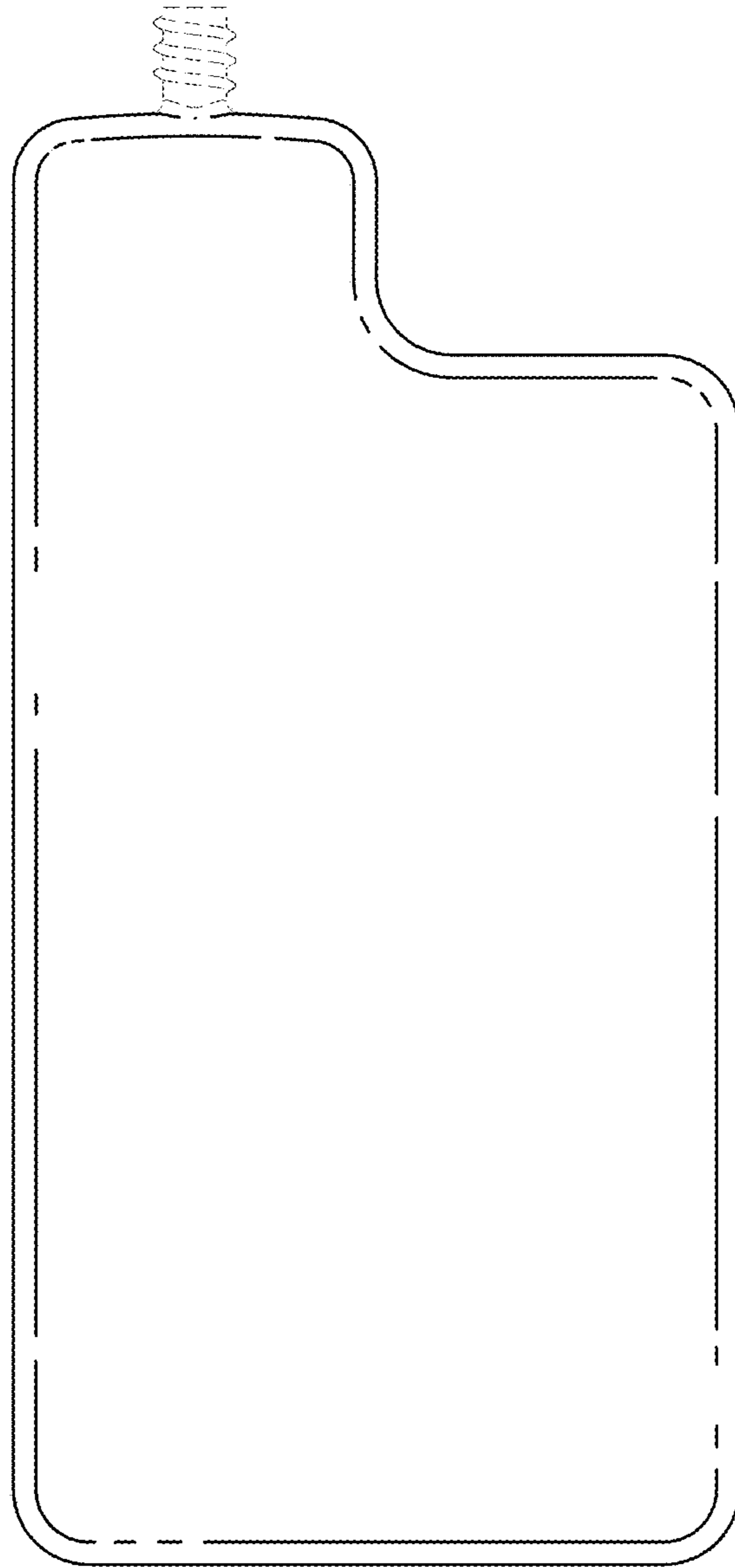


FIG. 5



FIG. 6



FIG. 7

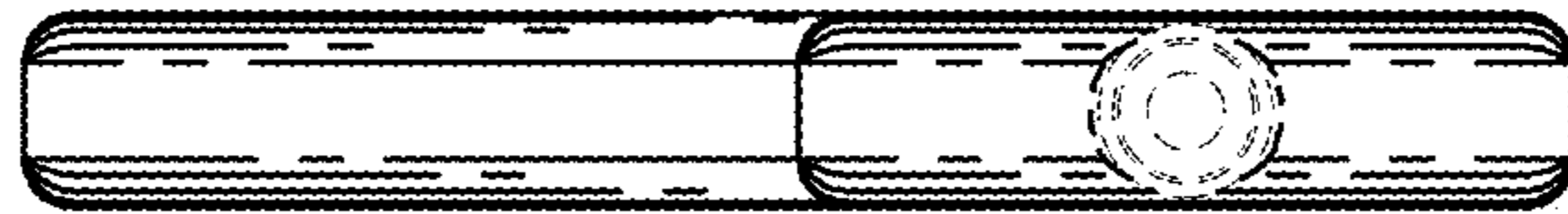


FIG. 8

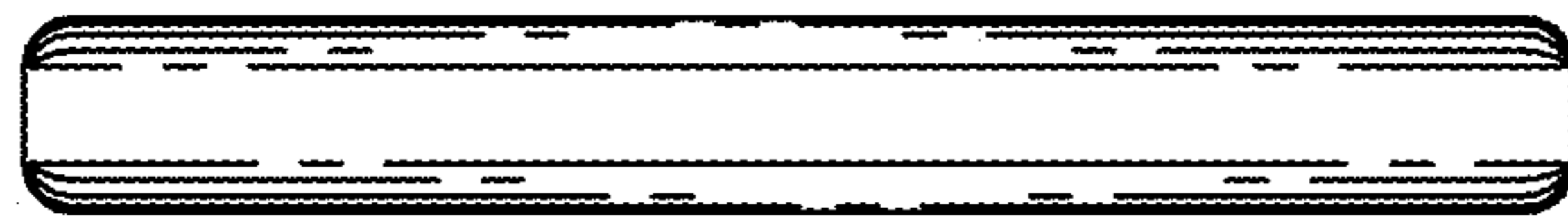


FIG. 9