



US00D910449S

(12) **United States Design Patent** (10) **Patent No.:** **US D910,449 S**
Harte (45) **Date of Patent:** **** Feb. 16, 2021**

(54) **BOTTLE**

Primary Examiner — Sandra L Morris

(71) Applicant: **McCormick Distilling Co., Inc.**,
Weston, MO (US)

(74) *Attorney, Agent, or Firm* — Hovey Williams LLP

(72) Inventor: **John Harte**, Dublin (IE)

(57) **CLAIM**

(73) Assignee: **McCormick Distilling Co., Inc.**,
Weston, MO (US)

The ornamental design for a bottle, as shown and described.

(**) Term: **15 Years**

DESCRIPTION

(21) Appl. No.: **29/715,355**

(22) Filed: **Dec. 2, 2019**

Related U.S. Application Data

(62) Division of application No. 29/646,087, filed on May 1, 2018, now Pat. No. Des. 871,914.

(51) **LOC (13) Cl.** **09-01**

(52) **U.S. Cl.**
USPC **D9/503; D9/537**

(58) **Field of Classification Search**

USPC D9/600-601, 607-612, 652, 500-503,
D9/516, 520, 537-546, 549-560,
D9/574-575, 715, 719, 443; 206/457,
206/494, 459.5, 527, 540; 229/116.1;
215/381-384, 400; D7/514-516, 539,
D7/544, 571, 579, 604, 612-613, 619.2,
D7/628-630, 391-392.1; D3/270-271.3
CPC B65D 67/00; B65D 81/36; B65D 81/60;
B65D 81/368; B65D 2203/00; B65D
(Continued)

FIG. 1 is an upper front perspective of a bottle embodying a first embodiment of my design;
FIG. 2 is a lower rear perspective of the bottle shown in FIG. 1;
FIG. 3 is a front elevation of the bottle shown in FIGS. 1 and 2;
FIG. 4 is a right side elevation of the bottle shown in FIGS. 1-3;
FIG. 5 is a rear elevation of the bottle shown in FIGS. 1-4;
FIG. 6 is a left side elevation of the bottle shown in FIGS. 1-5;
FIG. 7 is a top view of the bottle shown in FIGS. 1-6;
FIG. 8 is a bottom view of the bottle shown in FIGS. 1-7;
FIG. 9 is an upper front perspective of a bottle embodying a second embodiment of my design;
FIG. 10 is a lower rear perspective of the bottle shown in FIG. 9;
FIG. 11 is a front elevation of the bottle shown in FIGS. 9 and 10;
FIG. 12 is a right side elevation of the bottle shown in FIGS. 9-11;
FIG. 13 is a rear elevation of the bottle shown in FIGS. 9-12;
FIG. 14 is a left side elevation of the bottle shown in FIGS. 9-13;
FIG. 15 is a top view of the bottle shown in FIGS. 9-14; and,
FIG. 16 is a bottom view of the bottle shown in FIGS. 9-15.
The broken lines are for illustrative purposes only and form no part of the claimed design.

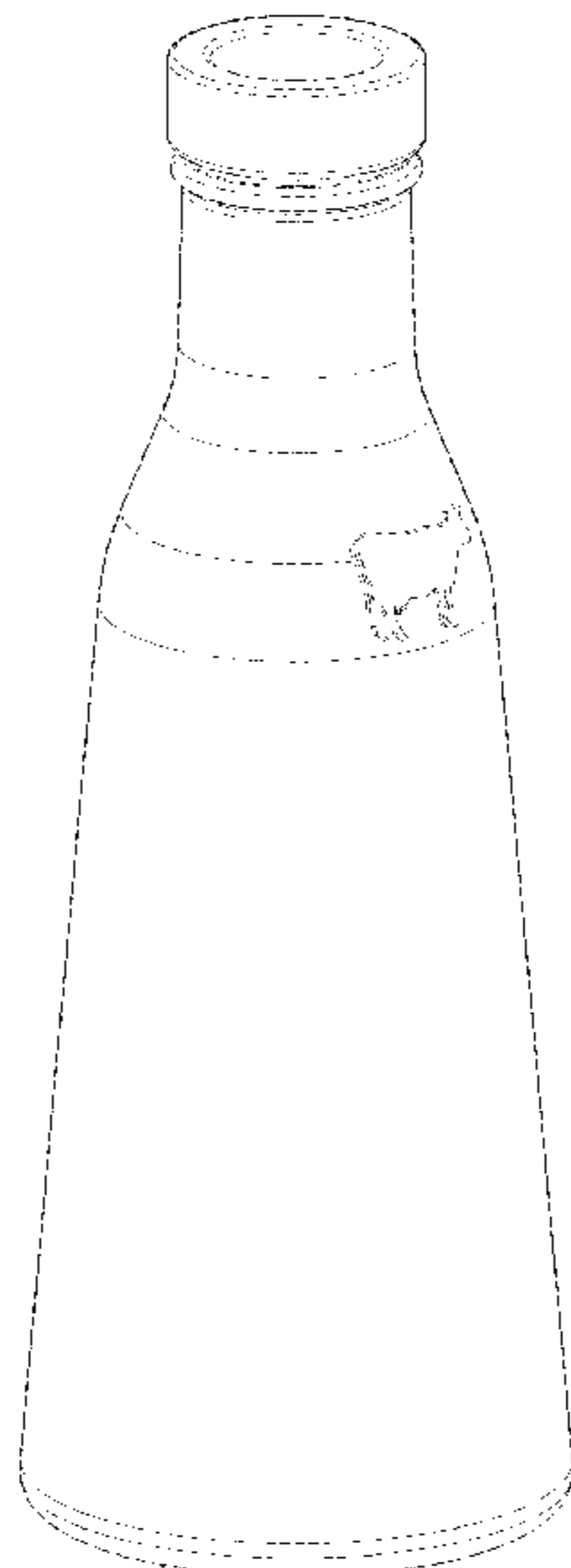
(56) **References Cited**

U.S. PATENT DOCUMENTS

D117,266 S * 10/1939 Gerhart D9/500
D392,565 S * 3/1998 Blackburn D9/500
D483,264 S * 12/2003 Canepa D9/500

(Continued)

1 Claim, 14 Drawing Sheets



(58) **Field of Classification Search**

CPC 2203/02; B65D 5/42; B65D 5/4208; B65D
77/00; A63H 33/16

See application file for complete search history.

(56) **References Cited**

U.S. PATENT DOCUMENTS

D569,264 S *	5/2008	Yamanaka	D9/503
D761,655 S *	7/2016	Chung	D9/500
D845,770 S *	4/2019	Berthe	D9/500
D866,331 S *	11/2019	Laib	D9/500
D867,141 S *	11/2019	Laib	D9/500

* cited by examiner

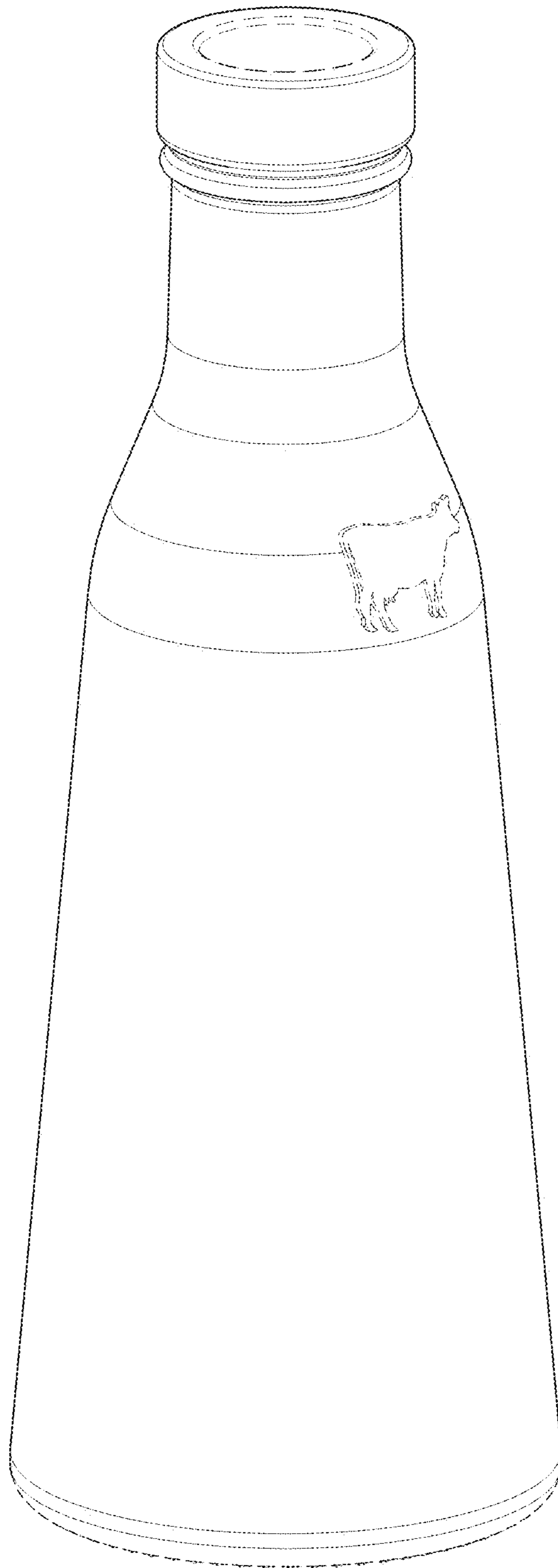


FIG. 1

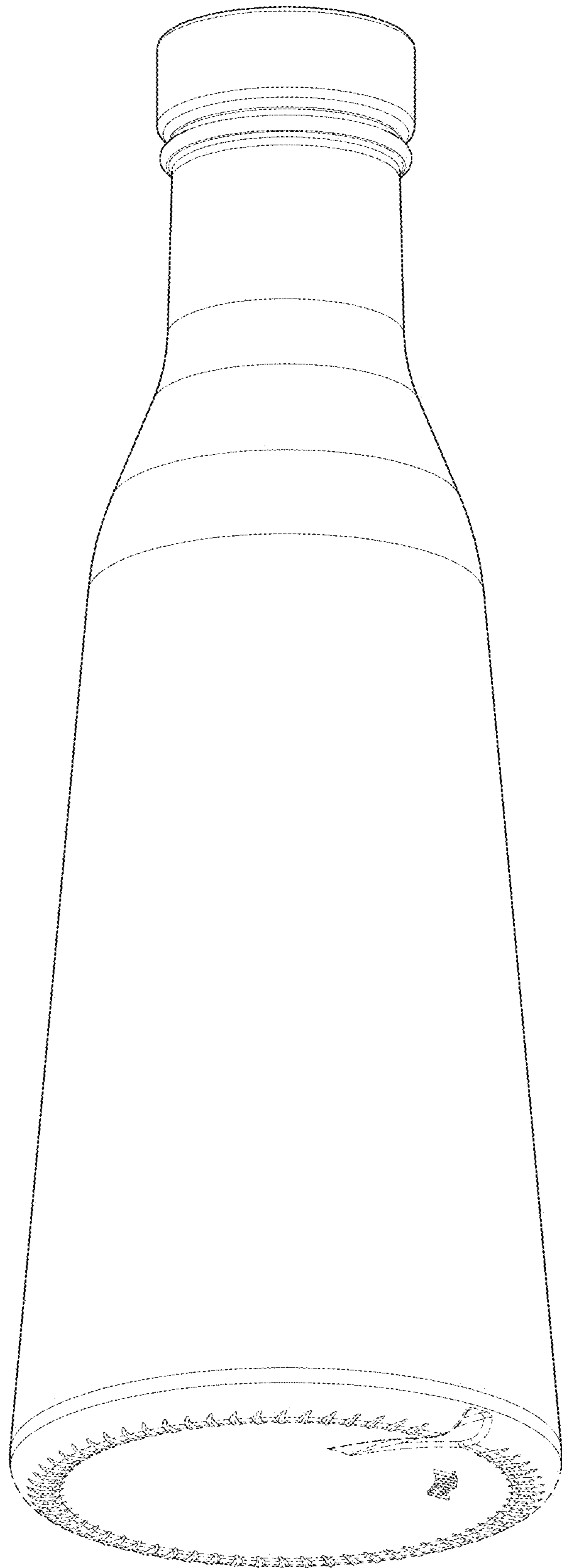


FIG. 2

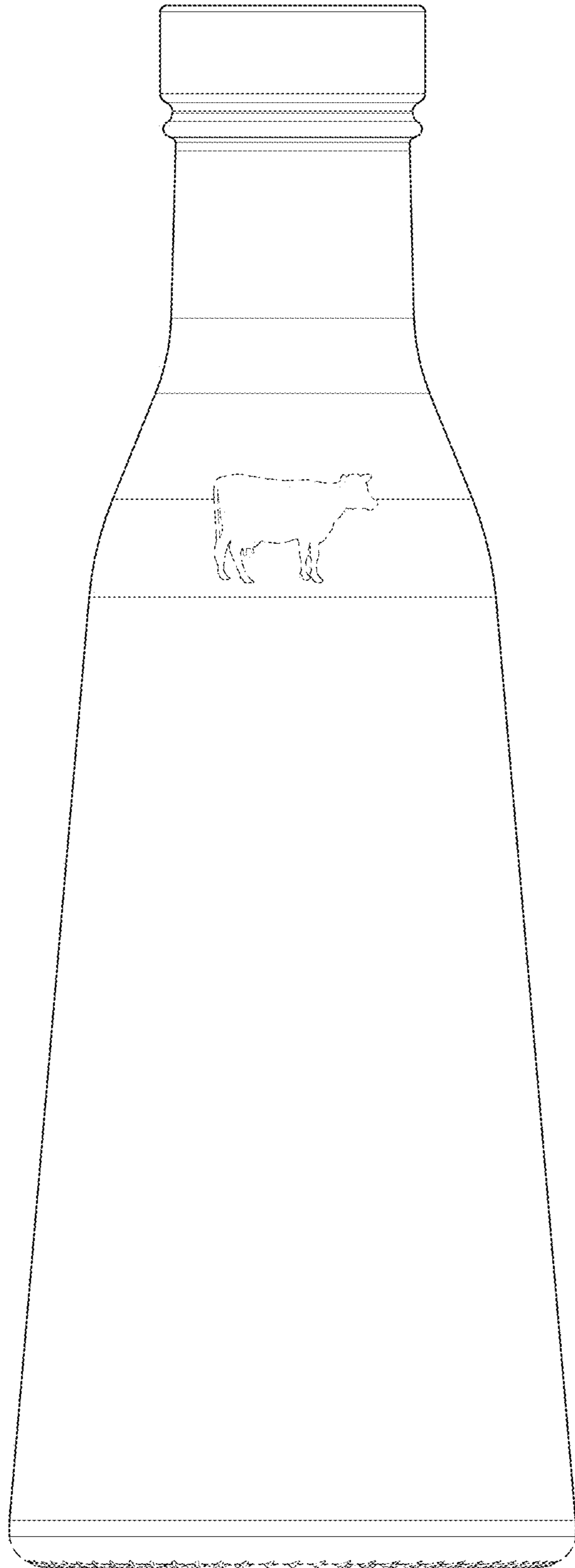


FIG. 3

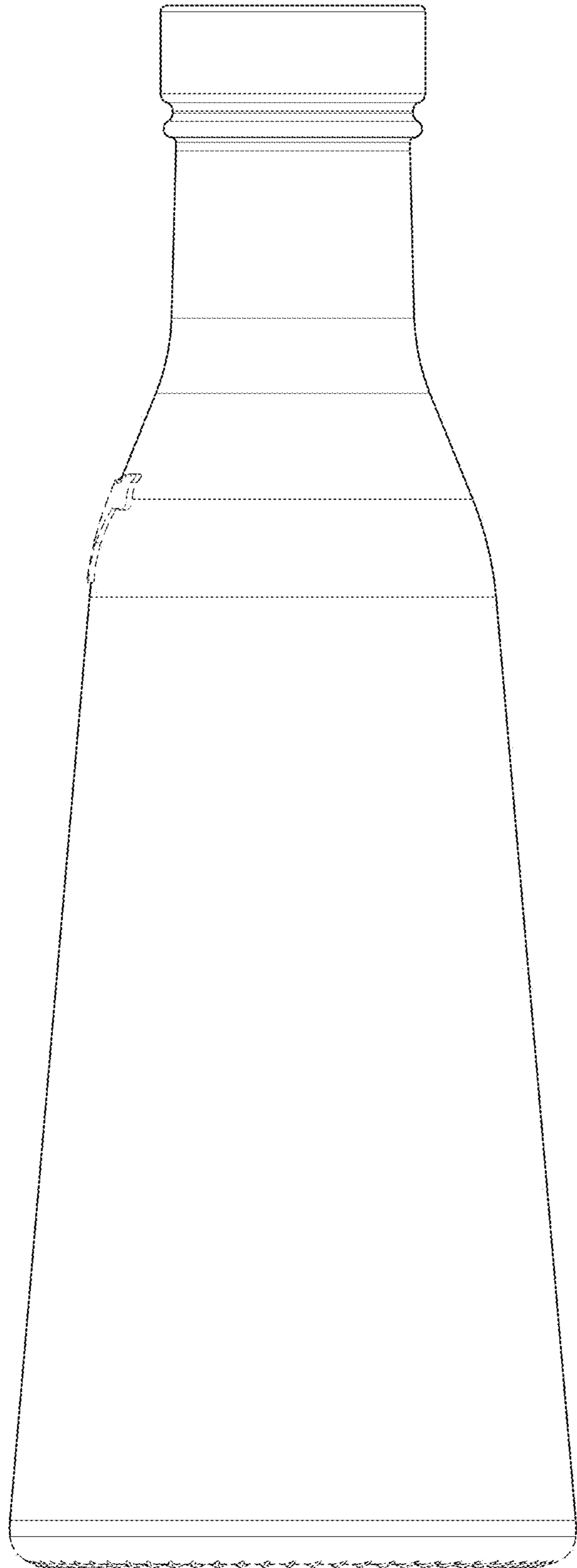


FIG. 4

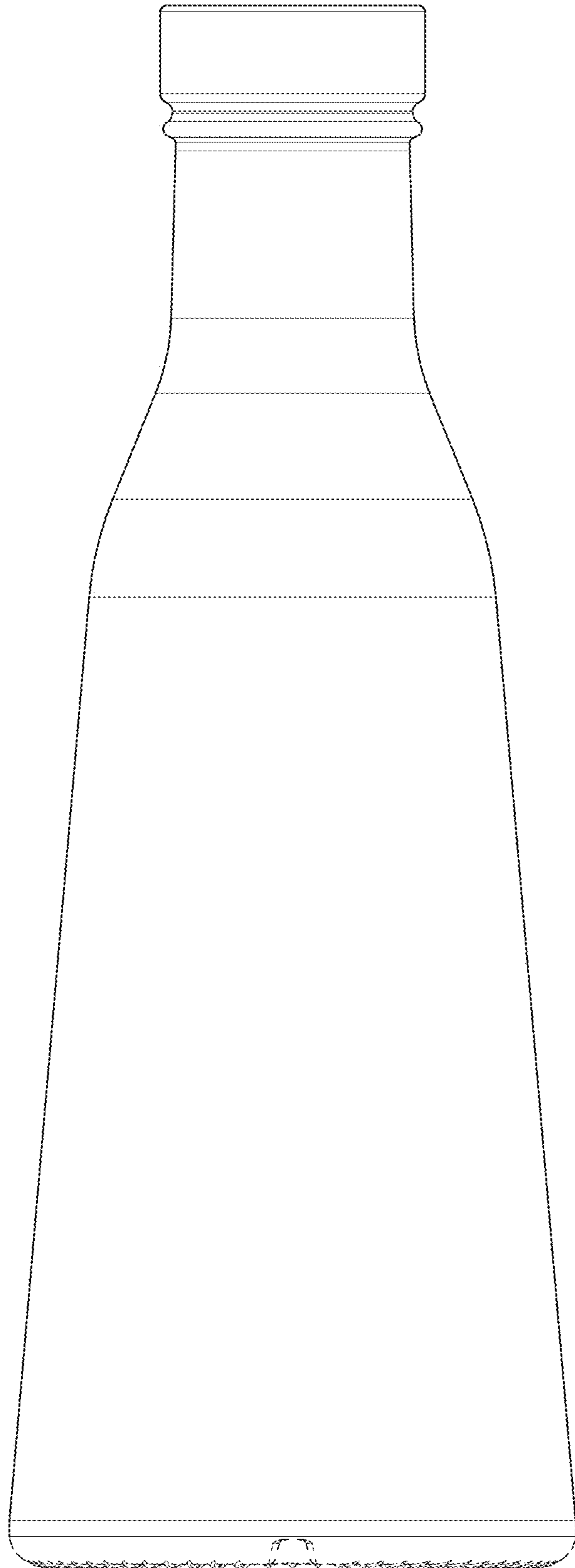


FIG. 5

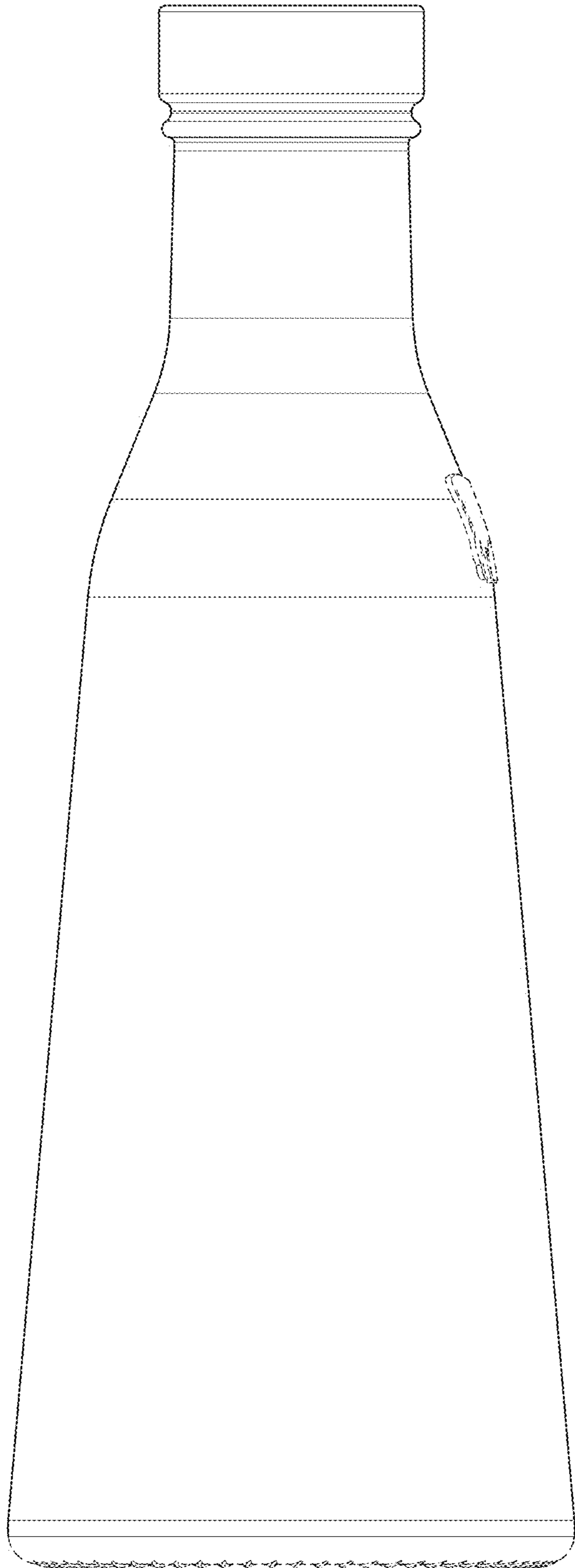


FIG. 6

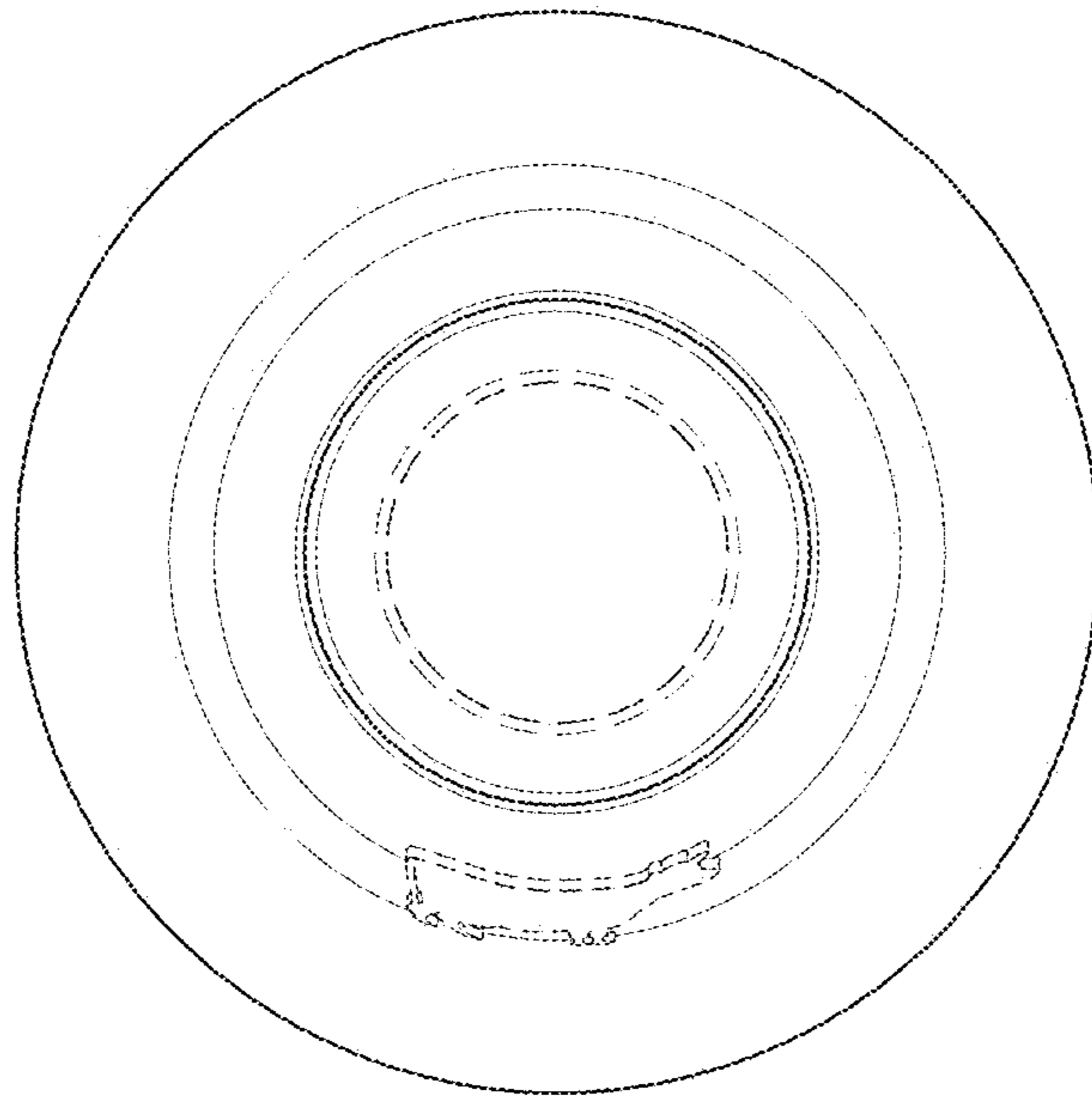


FIG. 7

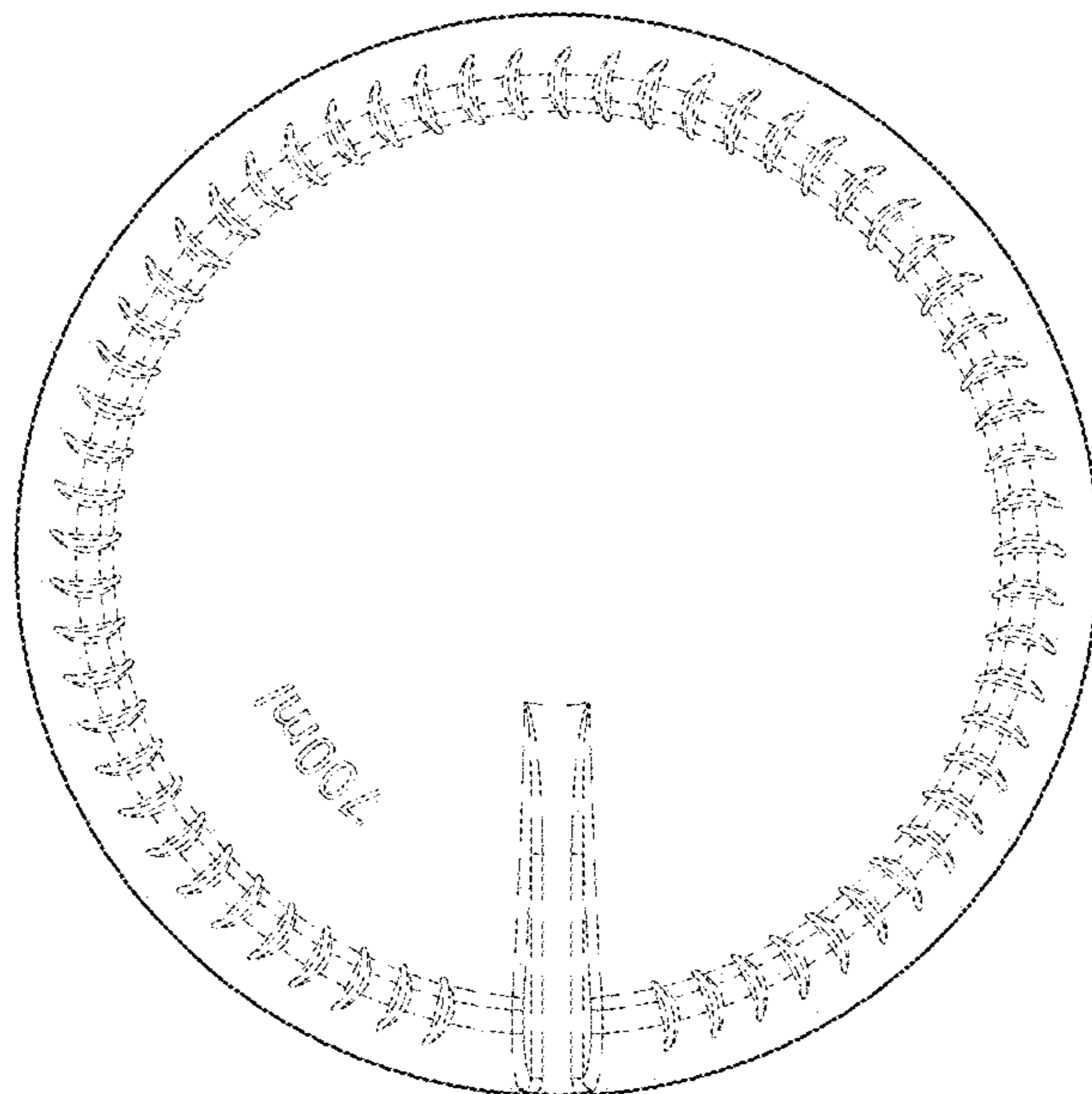


FIG. 8

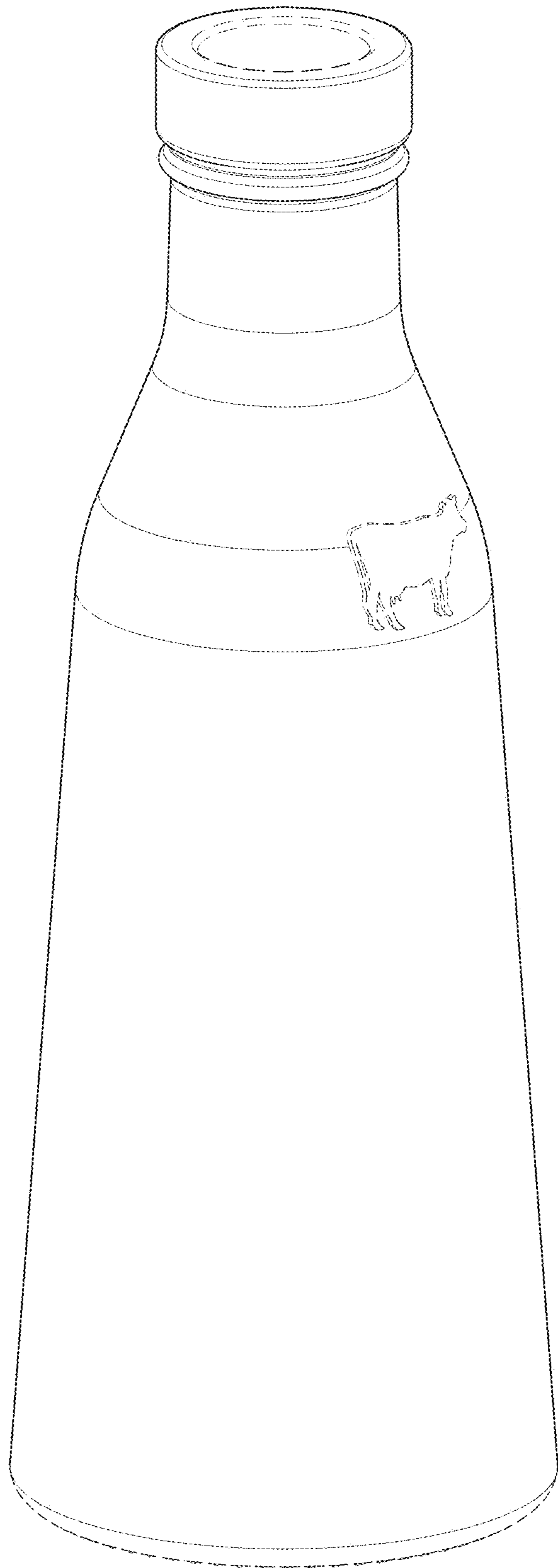


FIG. 9

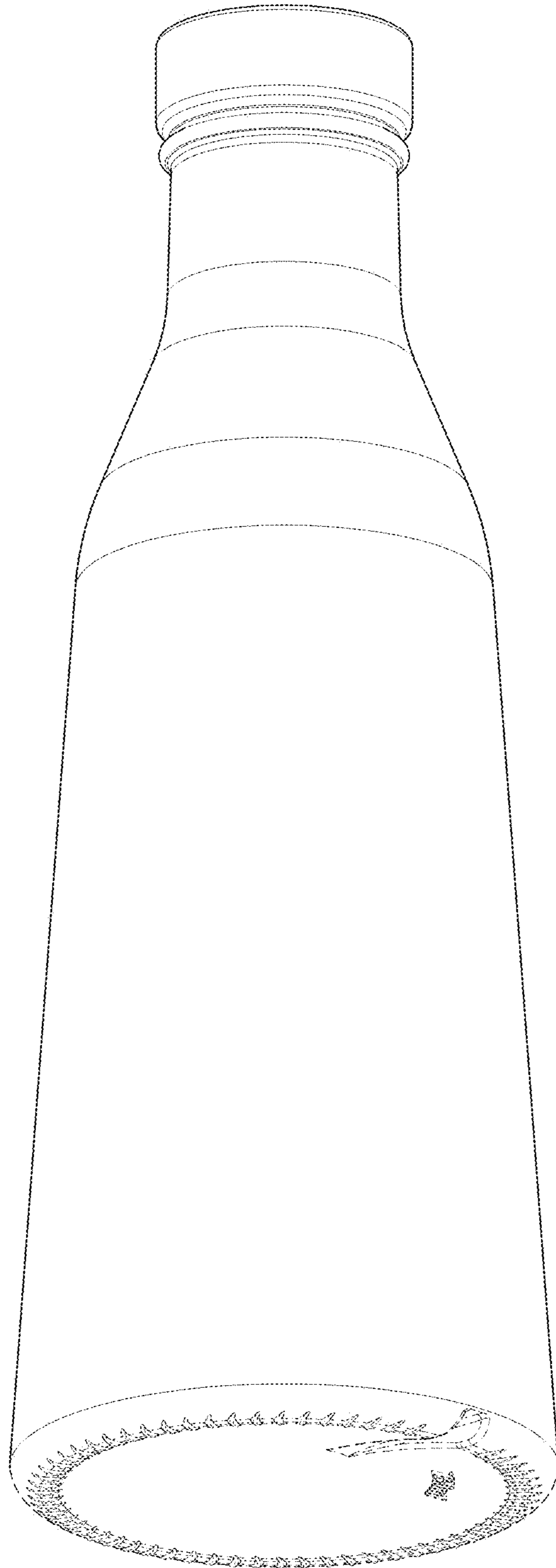


FIG. 10

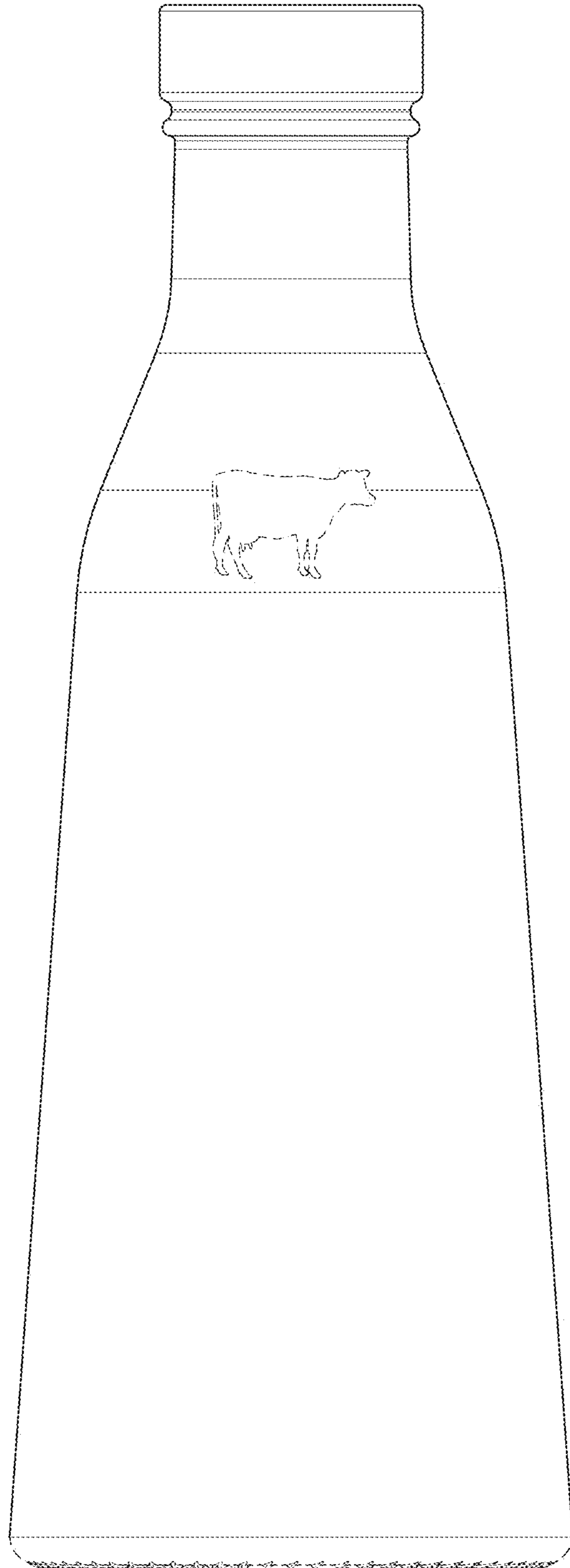


FIG. 11

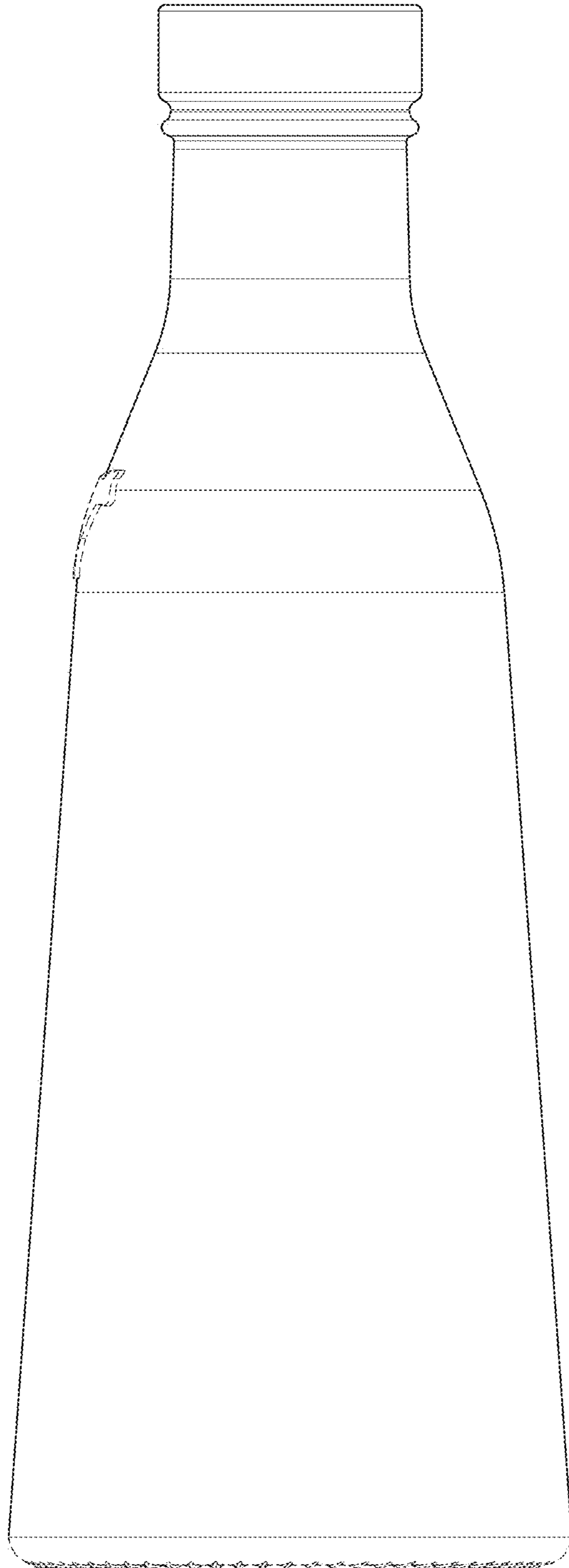


FIG. 12

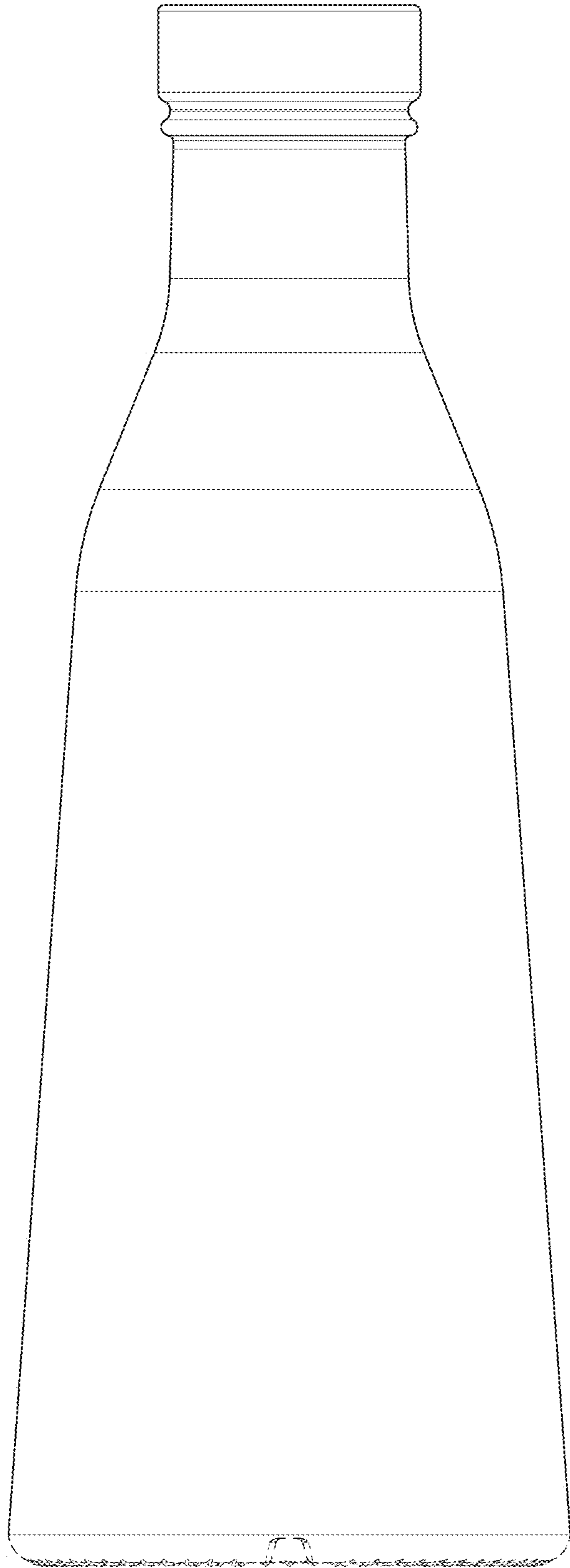


FIG. 13

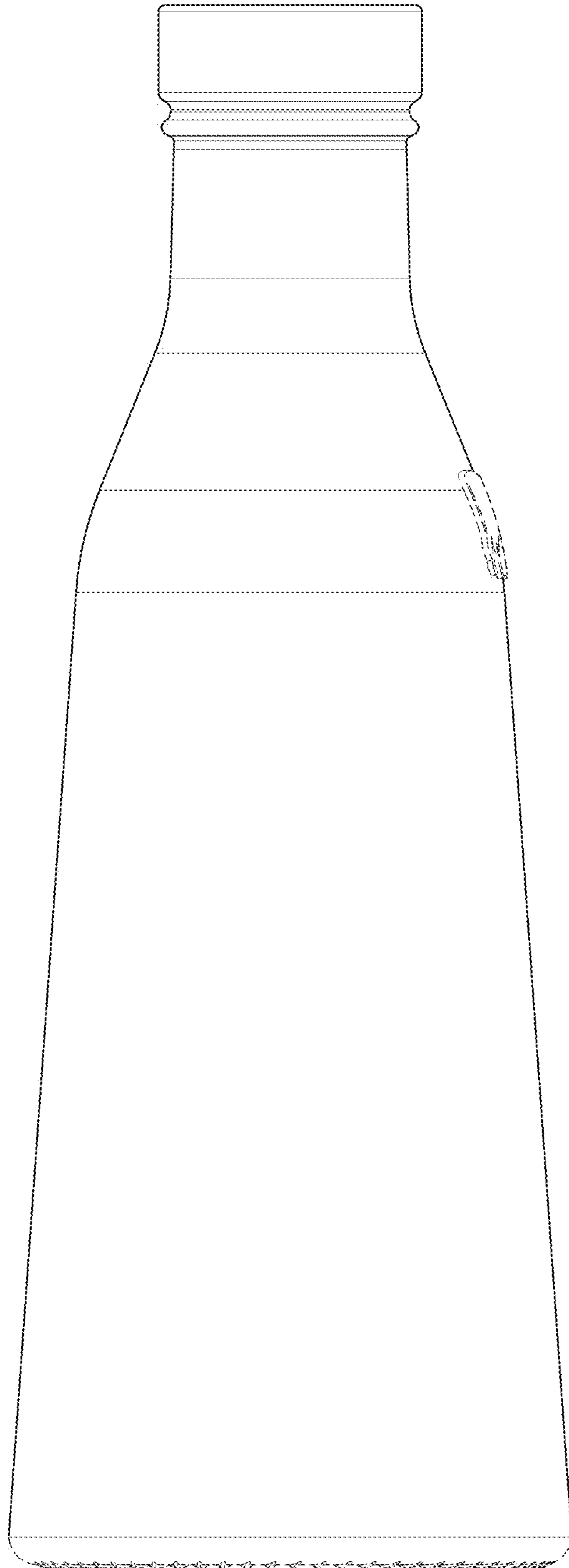


FIG. 14

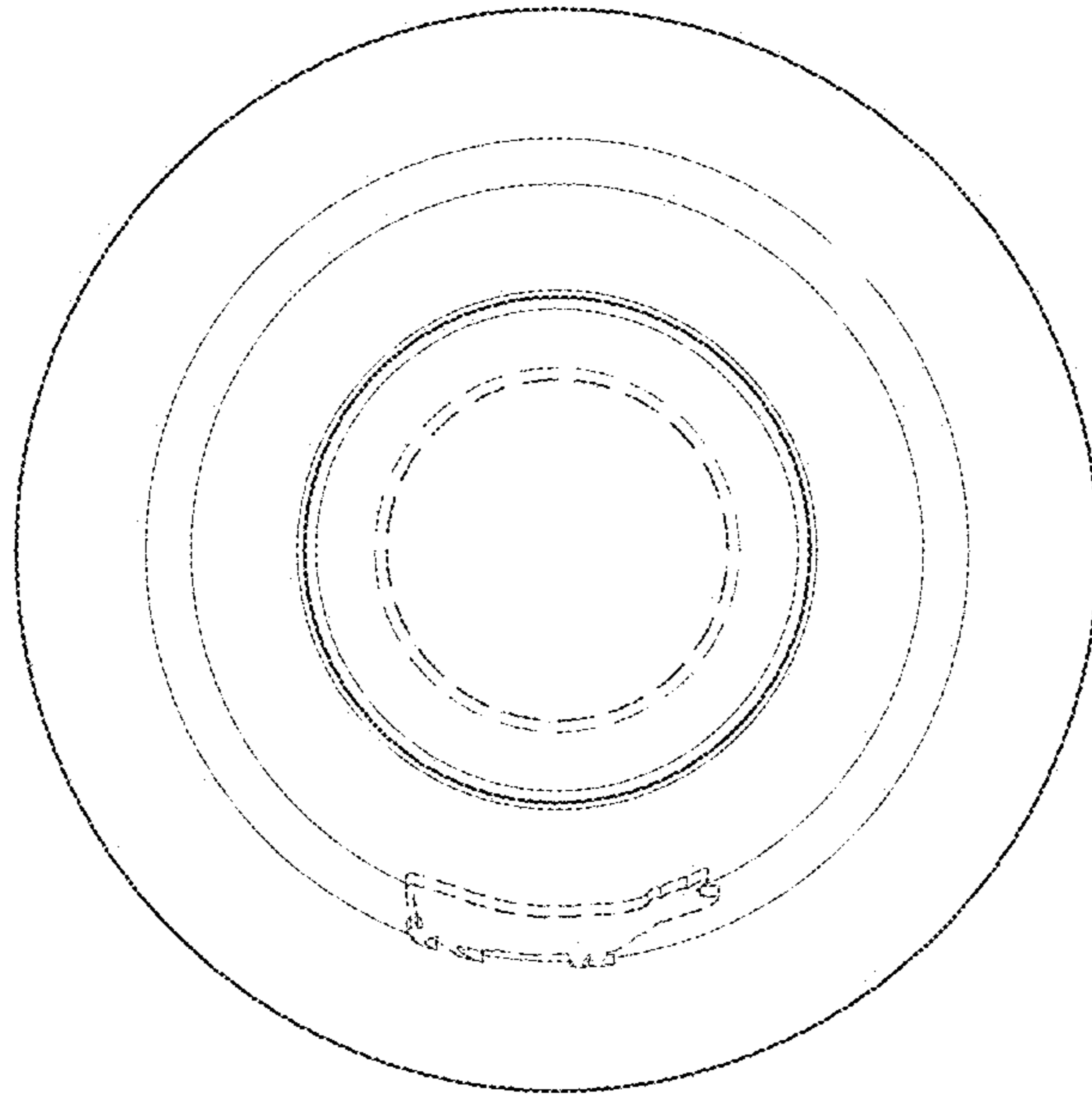


FIG. 15

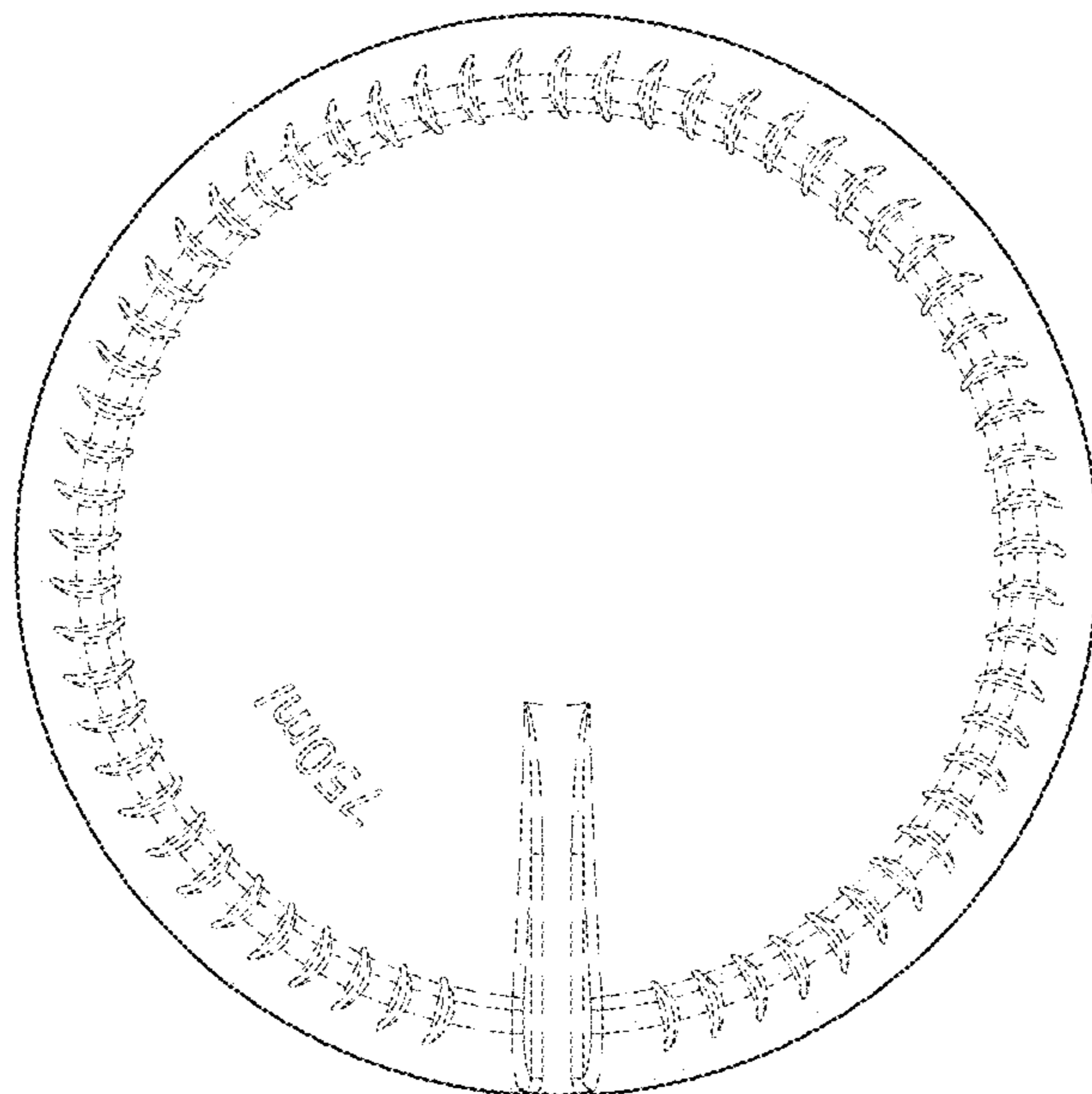


FIG. 16