



US00D910448S

(12) **United States Design Patent** (10) **Patent No.:** **US D910,448 S**  
**Boyd et al.** (45) **Date of Patent:** **\*\* Feb. 16, 2021**

- (54) **BOTTLE**
- (71) Applicant: **Abbott Laboratories**, Abbott Park, IL (US)
- (72) Inventors: **Timothy J. Boyd**, Delaware, OH (US); **Jeremy McBroom**, Columbus, OH (US); **Xinzhong Zhang**, Mason, OH (US); **Jay Yuan**, Mason, OH (US)
- (73) Assignee: **ABBOTT LABORATORIES**, Abbott Park, IL (US)
- (\*\*) Term: **15 Years**
- (21) Appl. No.: **29/706,835**
- (22) Filed: **Sep. 24, 2019**
- (51) **LOC (13) Cl.** ..... **09-01**
- (52) **U.S. Cl.**  
USPC ..... **D9/502**
- (58) **Field of Classification Search**  
USPC ..... D9/434, 500, 502-503, 516, 530, D9/537-540, 549, 557-558, 715, 719  
CPC ..... B65D 1/00; B65D 1/02; B65D 1/0223; B65D 1/44; B65D 23/00; B65D 23/102; B65D 2501/00; B65D 2501/0009; B65D 2501/0018; B65D 2501/0036  
See application file for complete search history.

- (56) **References Cited**  
U.S. PATENT DOCUMENTS
- D234,251 S \* 2/1975 Edwards ..... D9/500
- D258,045 S \* 1/1981 Collins ..... D9/500
- 4,497,855 A 2/1985 Agrawal et al.
- 5,217,737 A 6/1993 Gyax et al.
- 6,296,131 B2 10/2001 Rashid et al.
- D457,435 S 5/2002 Rashid et al.
- D464,569 S 10/2002 Moore et al.
- D477,230 S 7/2003 Takaichi

- D477,232 S \* 7/2003 Podlucky ..... D9/557
- D482,972 S \* 12/2003 Young ..... D9/502
- 6,929,139 B2 8/2005 Darr
- D511,459 S \* 11/2005 Riot ..... D9/502
- D517,923 S \* 3/2006 Iturriza ..... D9/502
- 7,051,890 B2 5/2006 Onoda et al.
- 7,077,279 B2 7/2006 Melrose
- D527,264 S \* 8/2006 Haley ..... D9/502
- 7,296,701 B2 11/2007 Ozawa et al.
- D570,217 S \* 6/2008 Meillerais ..... D9/502
- D576,499 S \* 9/2008 Laupie ..... D9/557
- 7,455,189 B2 11/2008 Lane et al.
- D605,518 S 12/2009 Desjardins
- D611,816 S 3/2010 Bangi et al.
- 7,837,049 B2 11/2010 Boukobza
- 7,882,971 B2 2/2011 Kelley et al.
- D641,244 S 7/2011 Bysick et al.
- D657,247 S \* 4/2012 Nemeth ..... D9/502
- 8,308,006 B2 11/2012 Niewierowski et al.
- 8,496,130 B2 7/2013 Lane et al.
- 8,556,098 B2 10/2013 Peykoff et al.

(Continued)

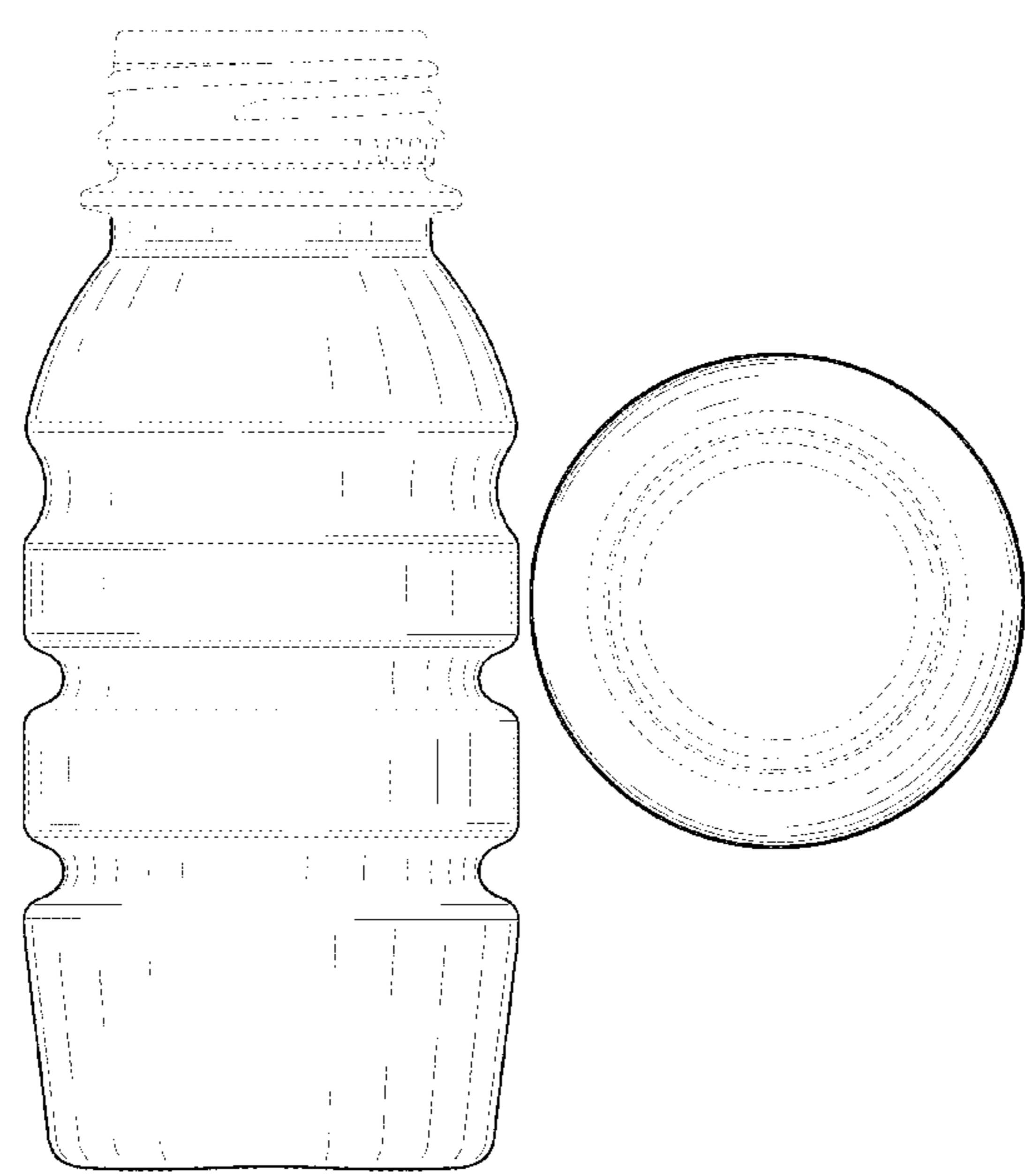
*Primary Examiner* — Dana Meyrow  
(74) *Attorney, Agent, or Firm* — Calfee, Halter & Griswold LLP

(57) **CLAIM**  
We claim the ornamental design for a bottle, as shown and described.

**DESCRIPTION**

FIG. 1 is a top, perspective view of a bottle, showing the new design;  
FIG. 2 is a bottom, perspective view of the bottle of FIG. 1;  
FIG. 3 is a front side view of the bottle of FIG. 1;  
FIG. 4 is a left view of the bottle of FIG. 1;  
FIG. 5 is a top view of the bottle of FIG. 1; and,  
FIG. 6 is a bottom view of the bottle of FIG. 1.  
The broken lines in the drawings illustrate the portions of the bottle that form no part of the claimed design.

**1 Claim, 3 Drawing Sheets**



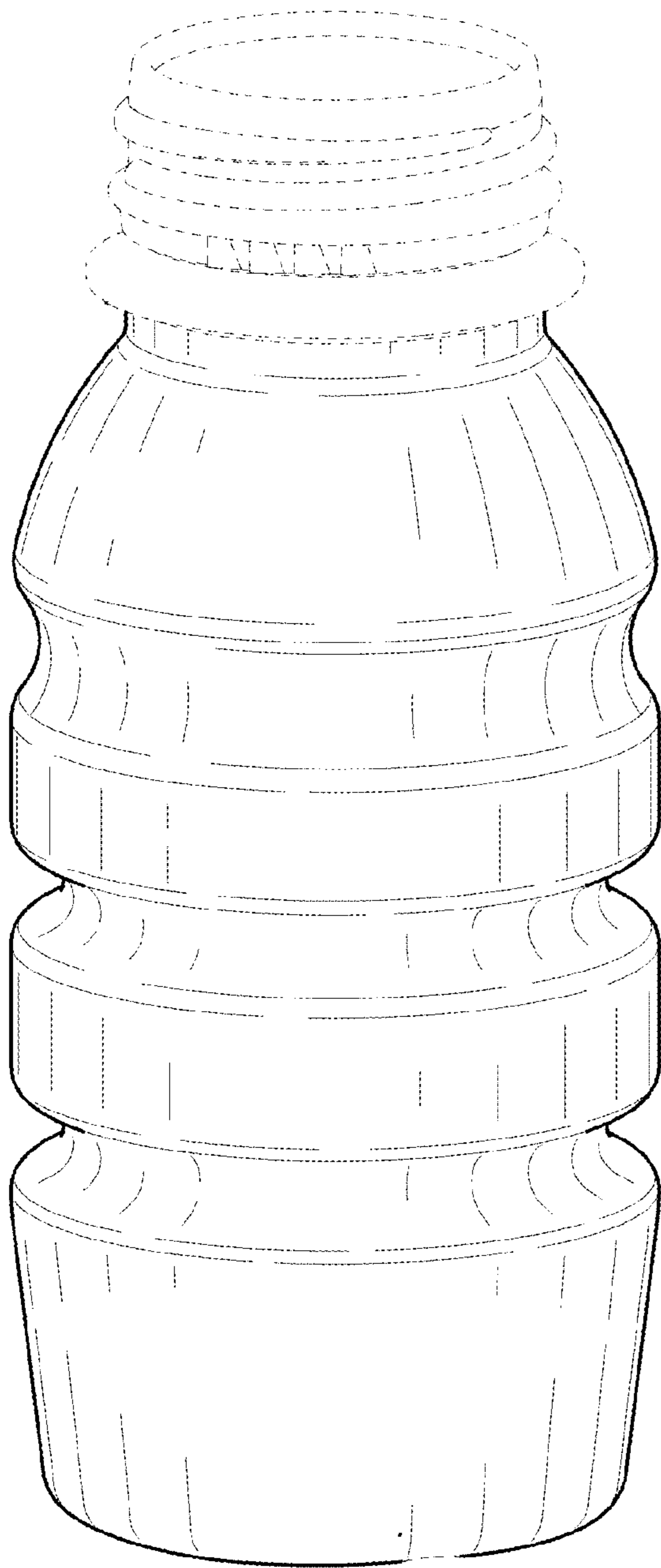
(56)

**References Cited**

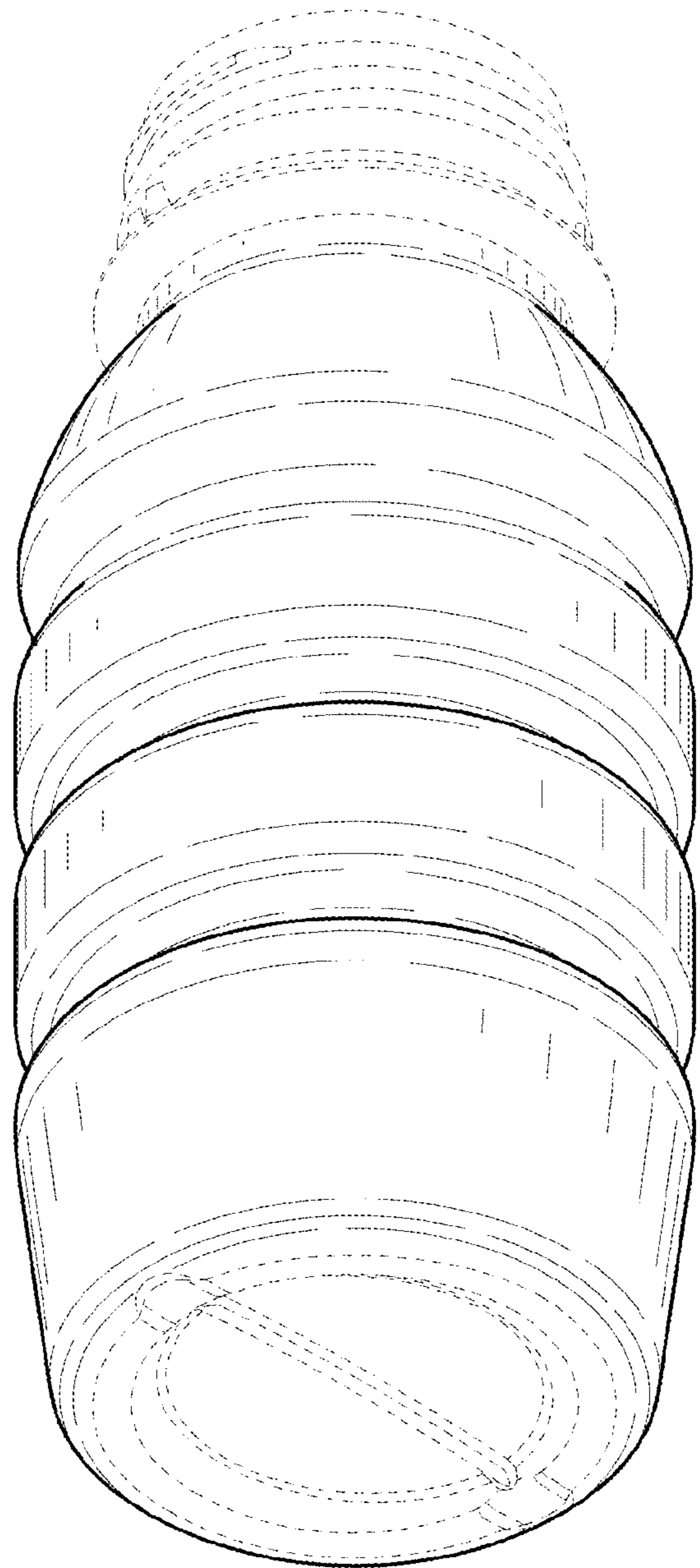
U.S. PATENT DOCUMENTS

8,596,479	B2	12/2013	Simon et al.	
8,616,395	B2	12/2013	Patcheak et al.	
8,870,006	B2	10/2014	Kamineni et al.	
D740,663	S	10/2015	Zeboudj	
D746,689	S	1/2016	Hunter	
9,254,604	B2	2/2016	Lisch et al.	
D784,767	S *	4/2017	Sawyer .....	D7/510
10,005,584	B2	6/2018	Tanaka	
2004/0173565	A1	9/2004	Semersky et al.	
2008/0284063	A1	11/2008	Richards et al.	
2009/0194546	A1	8/2009	Lane	
2012/0181246	A1	7/2012	Ross et al.	
2013/0206719	A1	8/2013	Tanaka et al.	
2016/0346986	A1	12/2016	Van Dijck et al.	
2019/0009952	A1	1/2019	Pedmo et al.	

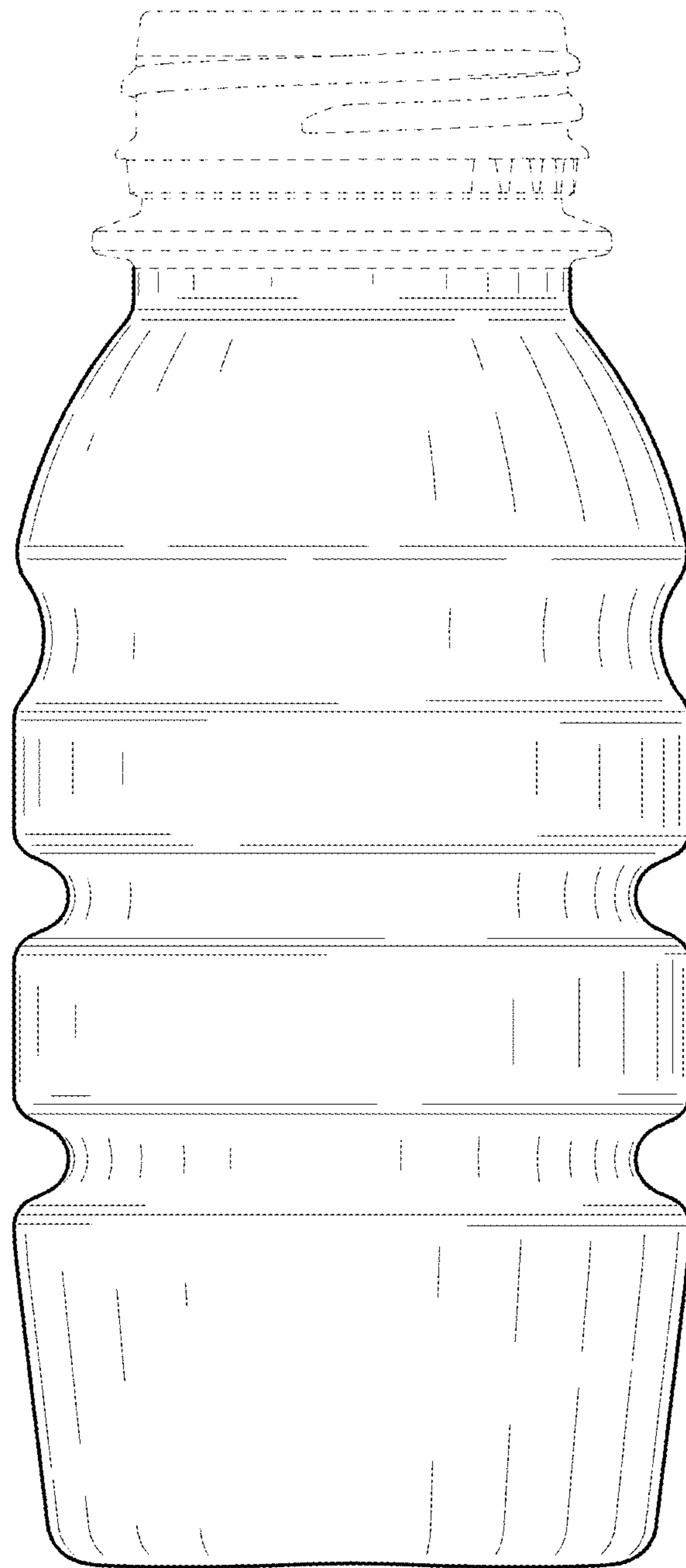
\* cited by examiner



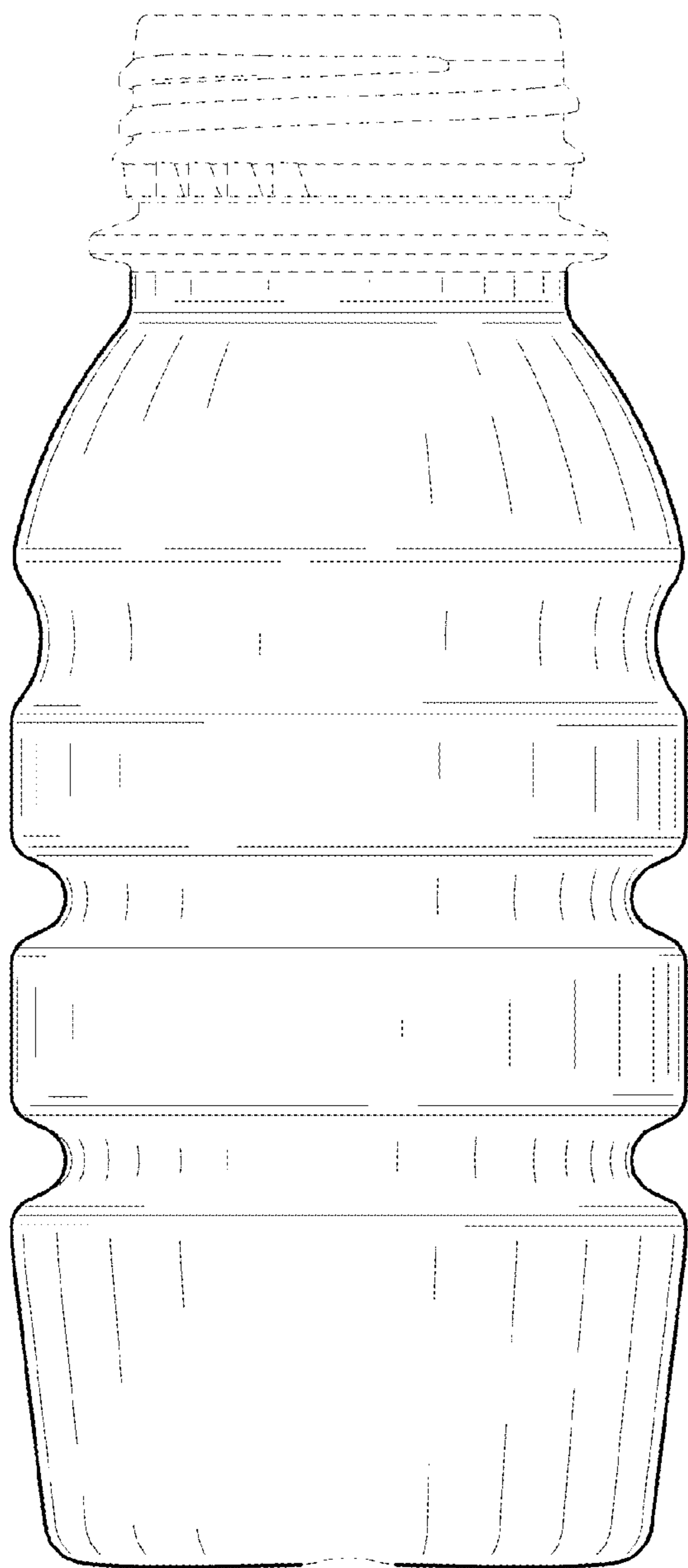
**Fig. 1**



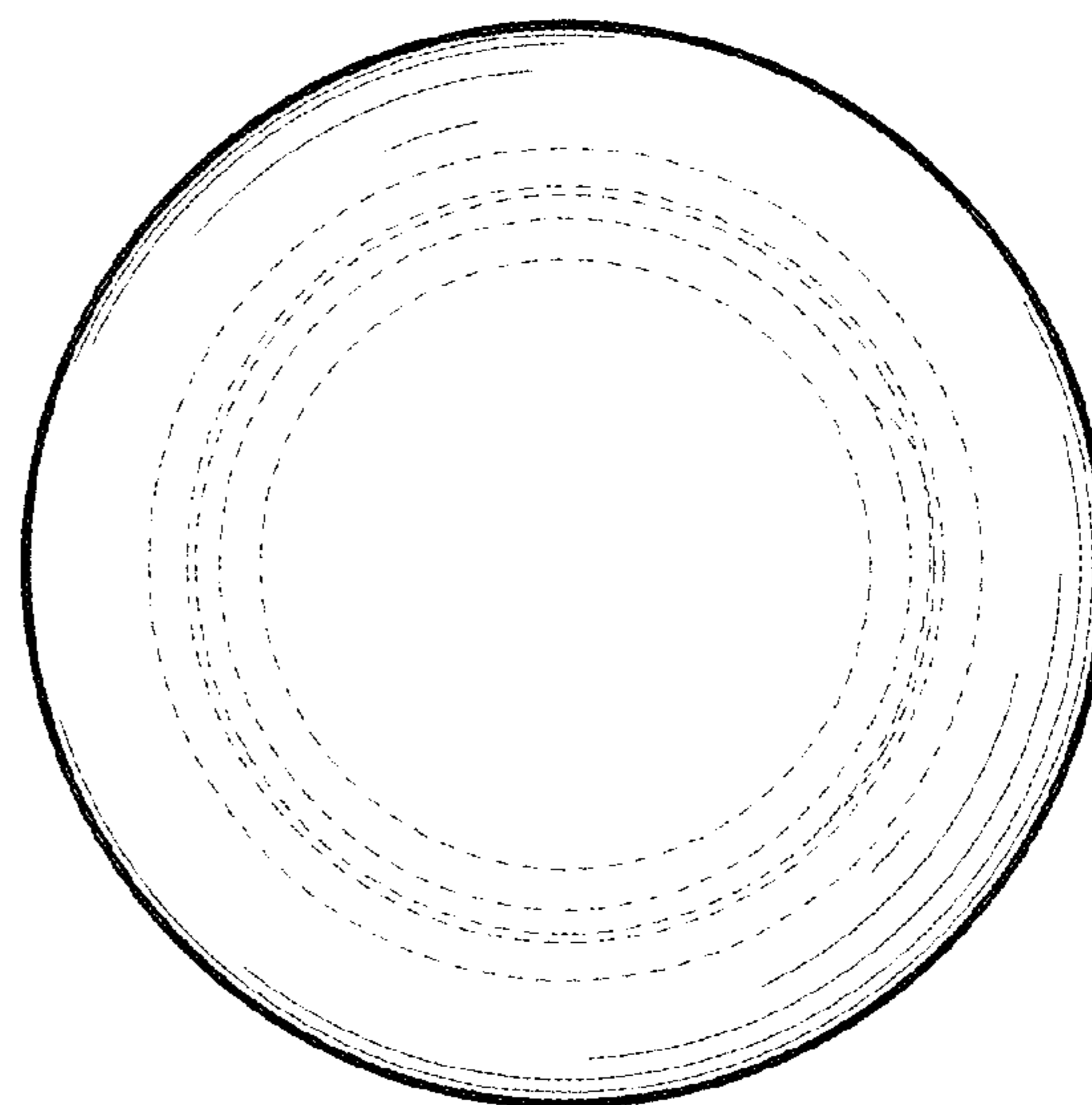
**Fig. 2**



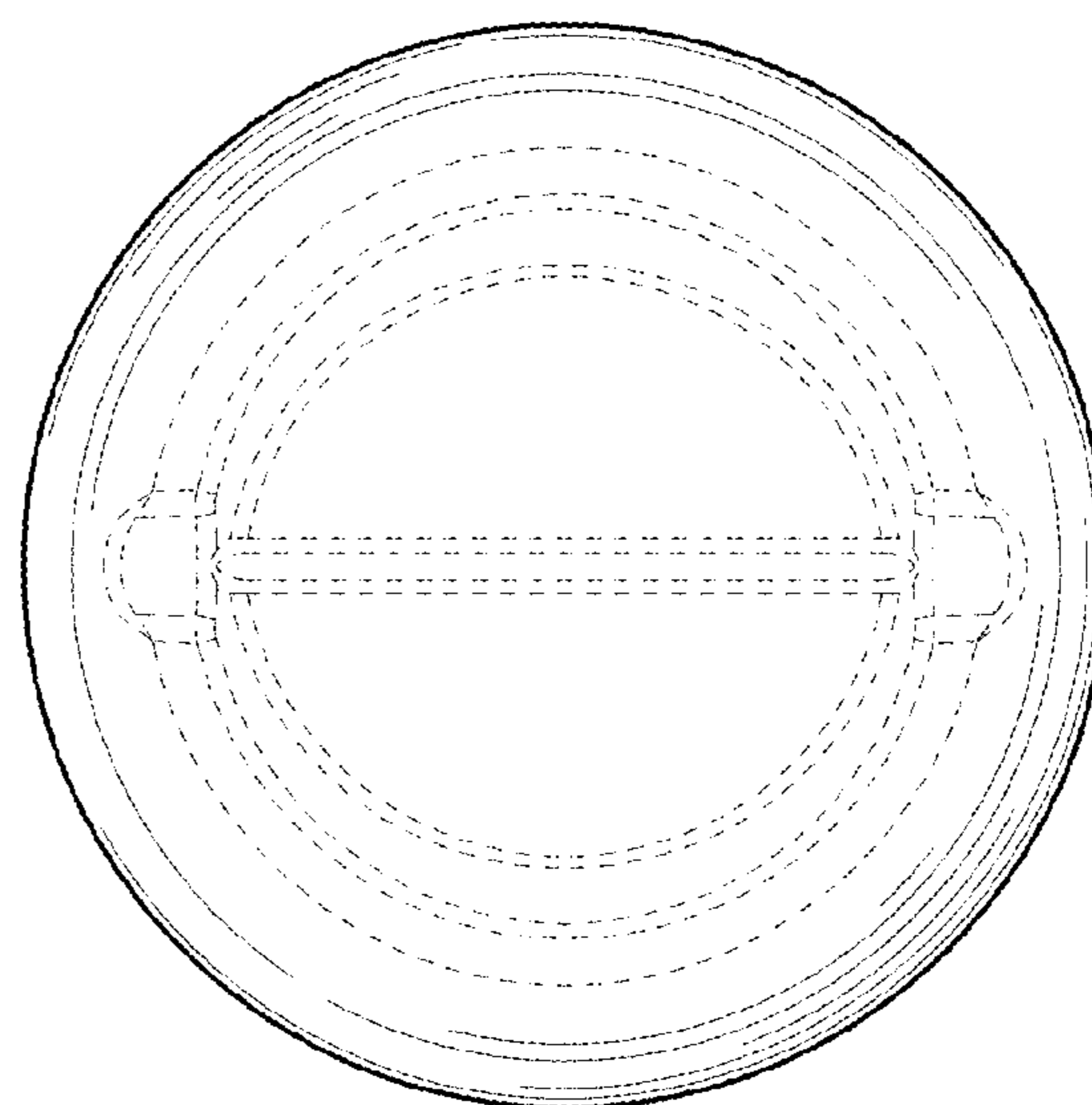
**Fig. 3**



**Fig. 4**



**Fig. 5**



**Fig. 6**