



US00D910447S

(12) **United States Design Patent**
Feletto

(10) **Patent No.:** **US D910,447 S**

(45) **Date of Patent:** **** Feb. 16, 2021**

(54) **BOTTLE**

(71) Applicant: **VETROELITE SPA**, Ormelle (IT)

(72) Inventor: **Daniele Feletto**, Ormelle (IT)

(**) Term: **15 Years**

(21) Appl. No.: **29/644,240**

(22) Filed: **Apr. 16, 2018**

(30) **Foreign Application Priority Data**

Dec. 7, 2017 (EM) 004539427-0001

(51) **LOC (13) Cl.** **09-01**

(52) **U.S. Cl.**
USPC **D9/500; D9/520; D9/545**

(58) **Field of Classification Search**
USPC D9/434, 500, 502-505, 516, 520, 530,
D9/537, 539, 544-545, 549, 558, 715,
D9/719

CPC B65D 1/00; B65D 1/02; B65D 1/0223;
B65D 1/023; B65D 23/00; B65D
2501/00; B65D 2501/0009

See application file for complete search history.

(56) **References Cited**

U.S. PATENT DOCUMENTS

D13,323 S * 9/1882 Winn D9/500
D118,500 S * 1/1940 Lewis D9/500
D314,702 S * 2/1991 Gonzalez D9/667
D470,057 S * 2/2003 Bowen D9/551
D635,857 S * 4/2011 Lauret D9/500
D659,538 S * 5/2012 Lecetre D9/500
D668,955 S * 10/2012 Zuchetta D9/500
D679,187 S * 4/2013 Zuchetta D9/500

D679,188 S * 4/2013 Zuchetta D9/500
D790,967 S * 7/2017 Gonzalez D9/500
D799,968 S * 10/2017 Harris D9/500
D811,223 S * 2/2018 Lauret D9/500
D815,528 S * 4/2018 Lee D9/500
D818,365 S * 5/2018 Lee D9/516
D820,090 S * 6/2018 Delbon D9/500
D821,875 S * 7/2018 Miller D9/500
D882,406 S * 4/2020 Bulfoni D9/500
D883,090 S * 5/2020 Feletto D9/500
D892,618 S * 8/2020 Feletto D9/500
2018/0253996 A1 * 9/2018 Spiro B65C 3/14

OTHER PUBLICATIONS

“GCM1-3105”, Standard Liquor Finished, Owens-Illinois—
Distilled Spirits, Wines, & Cordials, 1960—Stock Catalog, Duraglas
by Owens-Illinois Glass Co., OH, © 1960, p. F.*

* cited by examiner

Primary Examiner — Dana Meyrow
(74) *Attorney, Agent, or Firm* — Egbert, McDaniel &
Swartz, PLLC

(57) **CLAIM**

The ornamental design for a bottle, as shown and described.

DESCRIPTION

FIG. 1 is a perspective view of a bottle showing my new
design.

FIG. 2 is a front view thereof, a rear view being a mirror
image thereof;

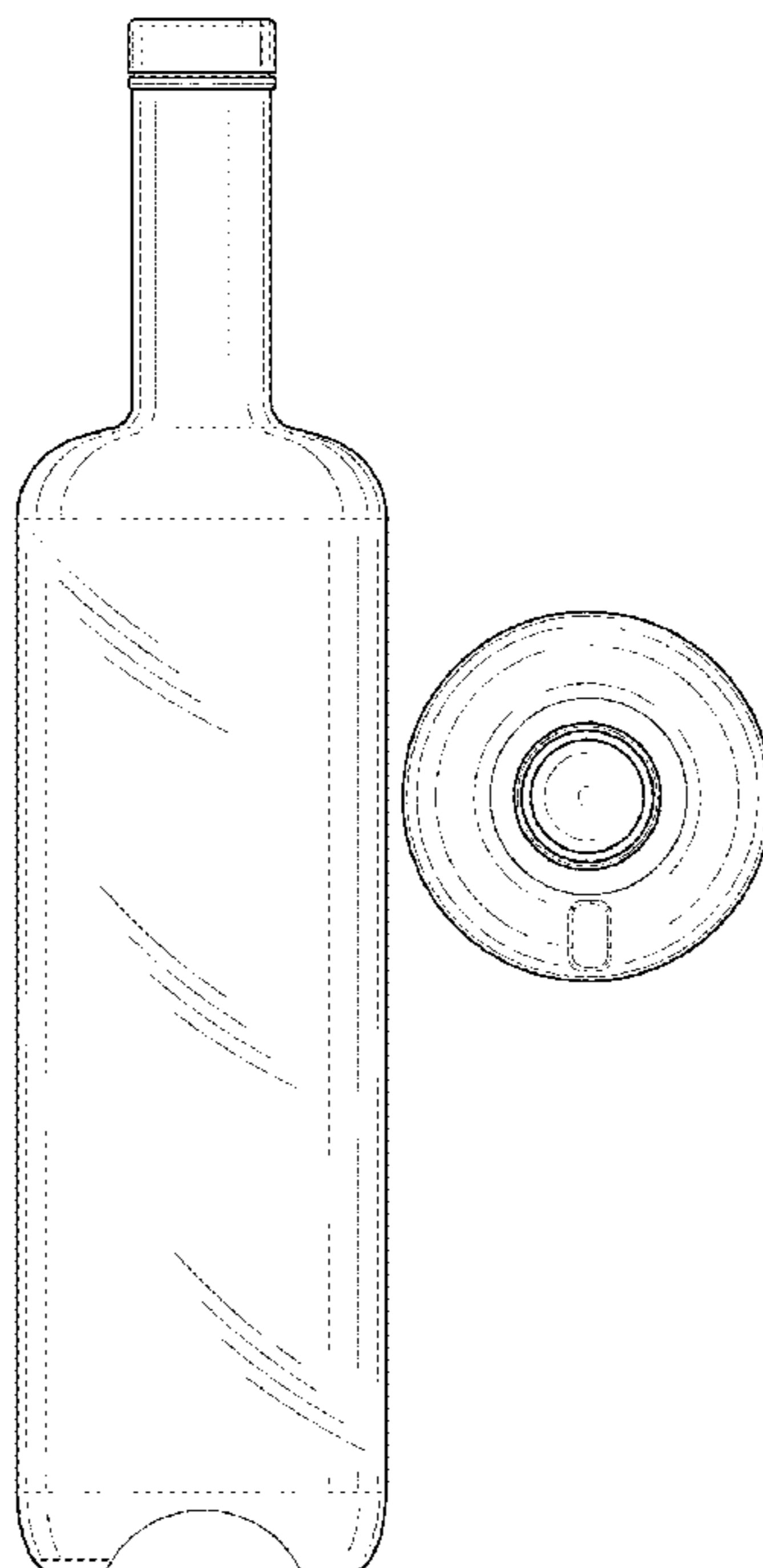
FIG. 3 is a side view thereof;

FIG. 4 is an opposite side view thereof;

FIG. 5 is a top view thereof; and,

FIG. 6 is a bottom view thereof.

1 Claim, 5 Drawing Sheets



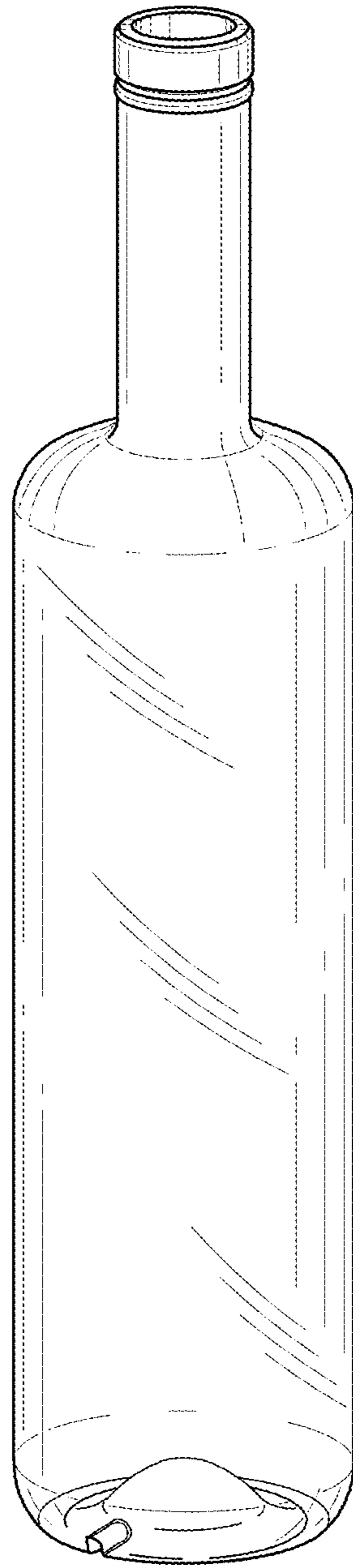


FIG. 1

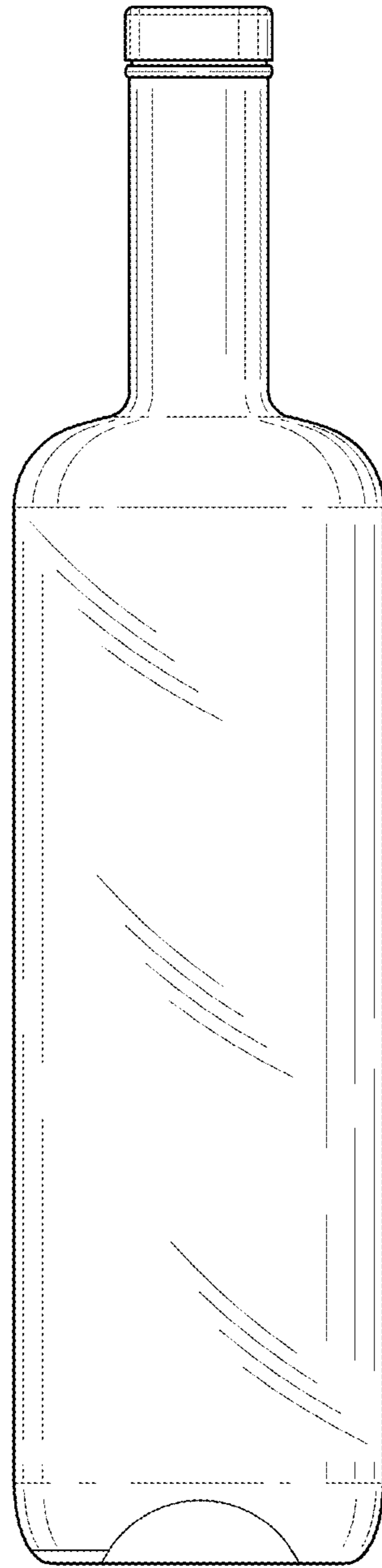


FIG. 2

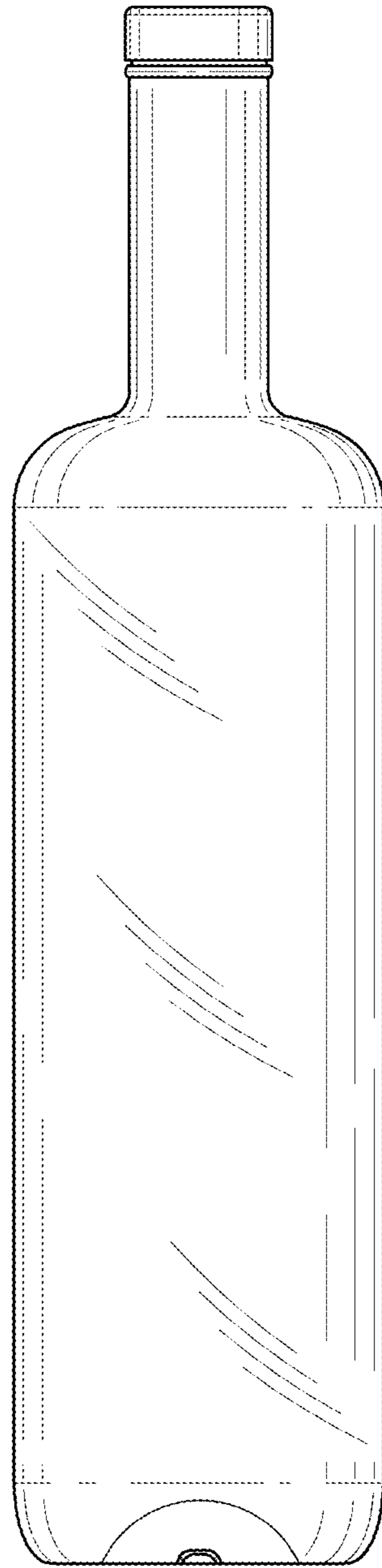


FIG. 3

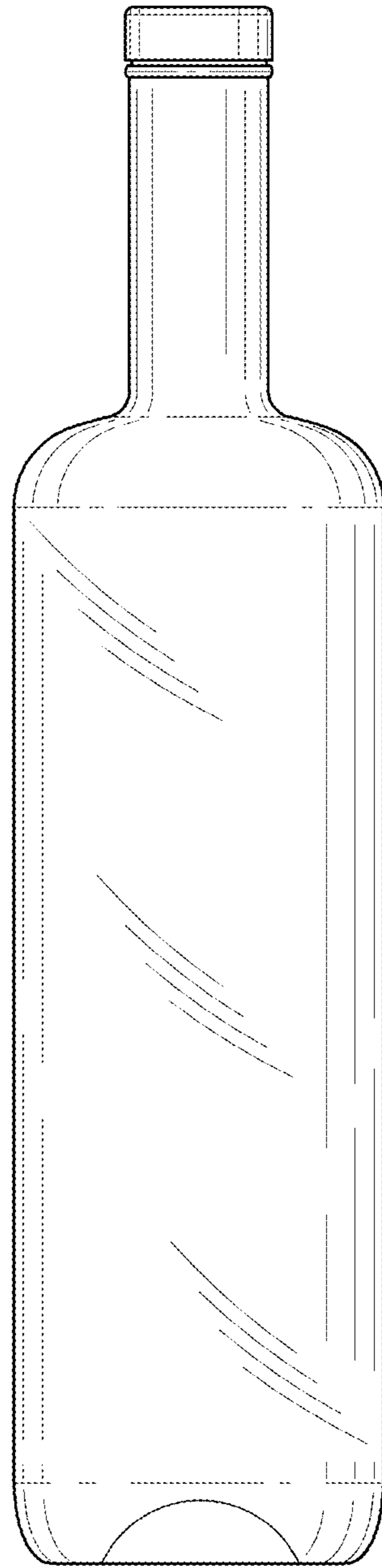


FIG. 4

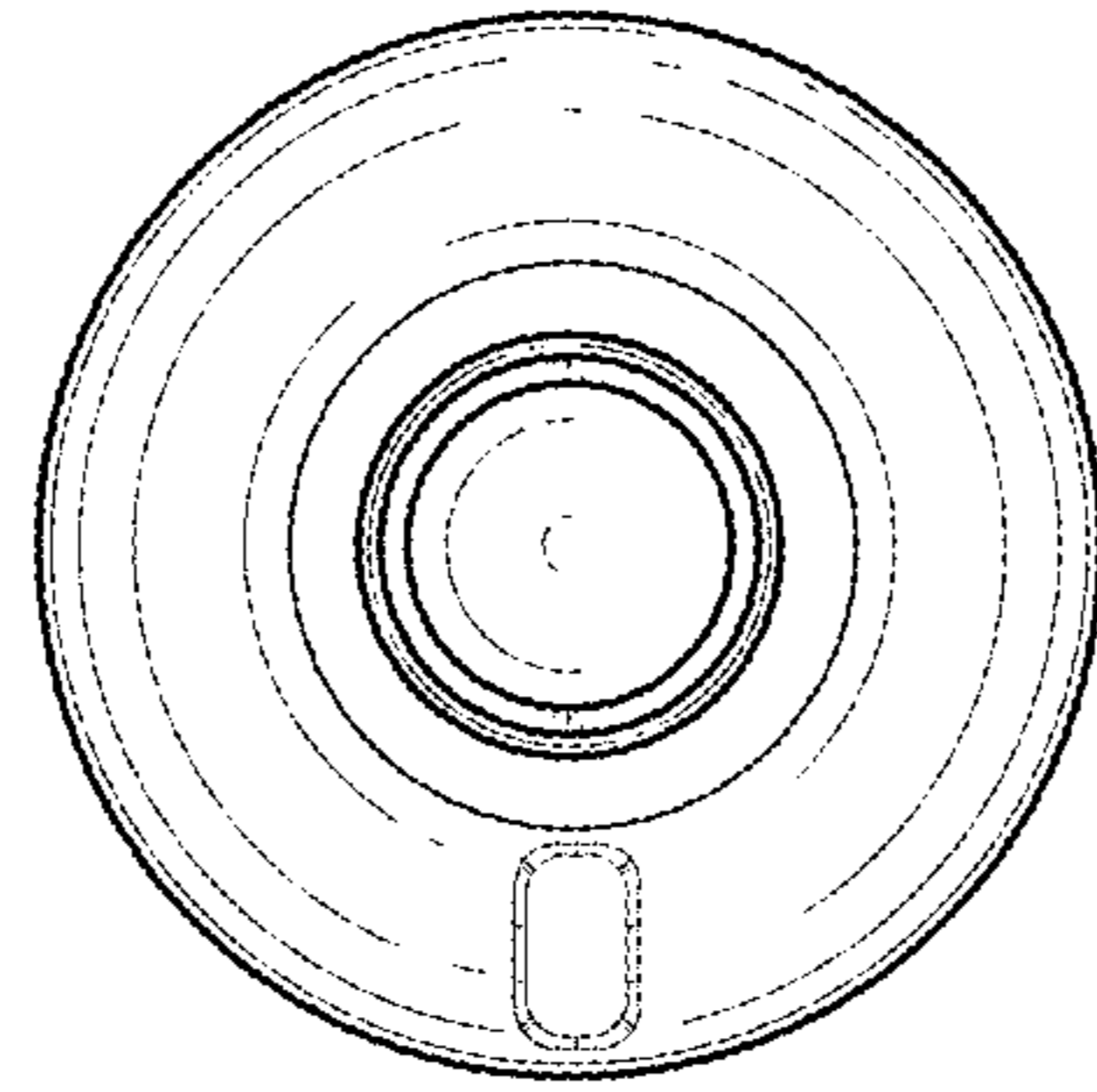


FIG. 5

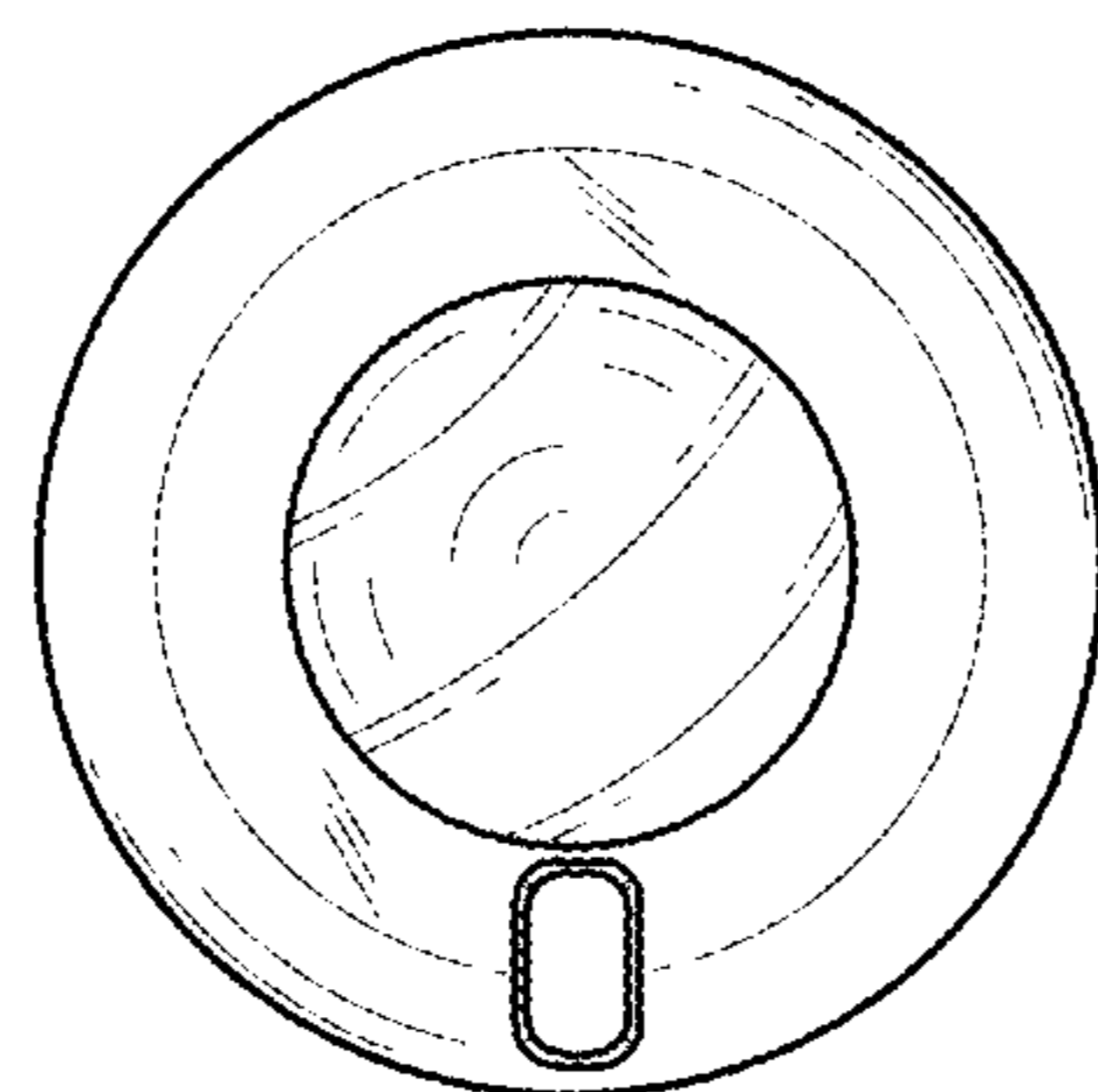


FIG. 6