



US00D910444S

(12) **United States Design Patent**  
**Trombley et al.**

(10) **Patent No.:** **US D910,444 S**

(45) **Date of Patent:** **\*\* Feb. 16, 2021**

(54) **LID FOR A CONTAINER**

(71) Applicant: **Huhtamaki, Inc.**, De Soto, KS (US)

(72) Inventors: **Joseph Trombley**, Saginaw, MI (US);  
**Noah Minasola**, Midland, MI (US);  
**Michael Liming**, New Vienna, OH (US)

(73) Assignee: **HUHTAMAKI, INC.**, De Soto, KS (US)

(\*\*) Term: **15 Years**

(21) Appl. No.: **29/688,346**

(22) Filed: **Apr. 19, 2019**

(51) **LOC (13) Cl.** ..... **09-07**

(52) **U.S. Cl.**  
USPC ..... **D9/447; D9/454**

(58) **Field of Classification Search**  
USPC ..... **D7/500, 509, 510, 550.1, 553.1, 553.2, D7/553.6, 354, 357, 387, 388, 391, 392,**  
(Continued)

(56) **References Cited**

**U.S. PATENT DOCUMENTS**

D160,491 S 10/1950 Goldman  
D183,491 S 9/1958 Lerner  
(Continued)

**FOREIGN PATENT DOCUMENTS**

WO WO-2013090803 A1 \* 6/2013 ..... B65D 47/06  
WO WO-2015170302 A2 \* 11/2015 ..... B65D 47/40

**OTHER PUBLICATIONS**

Thermoform Nitro Coffee Lid: Site Visited [Apr. 23, 2020]. Available from Internet URL: [https://catalog.berryglobal.com/products/lid/liddrink/dlti314nit2cp.\\*](https://catalog.berryglobal.com/products/lid/liddrink/dlti314nit2cp.*)

(Continued)

*Primary Examiner* — Catherine S Posthauer

(74) *Attorney, Agent, or Firm* — Husch Blackwell LLP

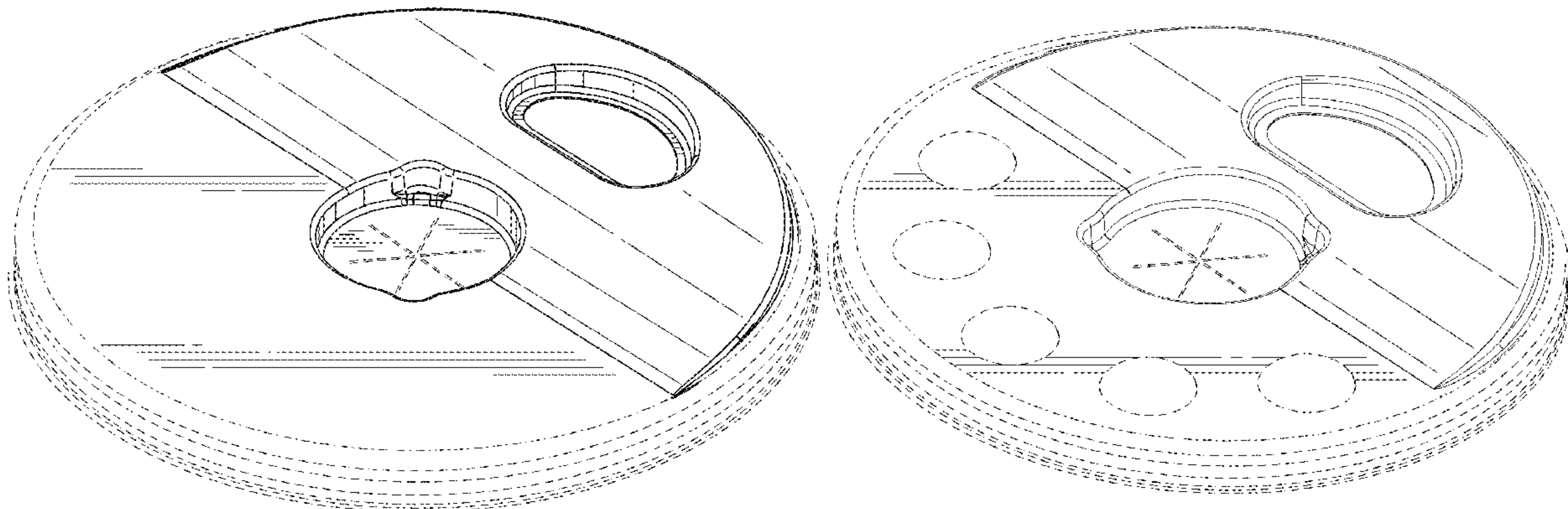
(57) **CLAIM**

The ornamental design for a lid for a container, as shown and described.

**DESCRIPTION**

FIG. 1 is a perspective view of a first embodiment of a lid for a container showing the new design;  
FIG. 2 is a top plan view thereof;  
FIG. 3 is a rear elevation view thereof;  
FIG. 4 is a front elevation view thereof;  
FIG. 5 is a right side elevation view thereof (the left side elevation view is a mirror image of FIG. 5);  
FIG. 6 is a bottom plan view thereof;  
FIG. 7 is a perspective view of a second embodiment of a lid for a container showing the new design;  
FIG. 8 is a top plan view thereof;  
FIG. 9 is a rear elevation view thereof;  
FIG. 10 is a front elevation view thereof;  
FIG. 11 is a right side elevation view thereof (the left side elevation view is a mirror image of FIG. 11);  
FIG. 12 is a bottom plan view thereof;  
FIG. 13 is a perspective view of a third embodiment of a lid for a container showing the new design;  
FIG. 14 is a top plan view thereof;  
FIG. 15 is a rear elevation view thereof;  
FIG. 16 is a front elevation view thereof;  
FIG. 17 is a right side elevation view thereof (the left side elevation view is a mirror image of FIG. 17);  
FIG. 18 is a bottom plan view thereof;  
FIG. 19 is a perspective view of a fourth embodiment of a lid for a container showing the new design;  
FIG. 20 is a top plan view thereof;  
FIG. 21 is a rear elevation view thereof;  
FIG. 22 is a front elevation view thereof;  
FIG. 23 is a right side elevation view thereof (the left side elevation view is a mirror image of FIG. 23); and,  
FIG. 24 is a bottom plan view thereof.

(Continued)



The evenly broken lines are shown for the purpose of illustrating parts of the article that form no part of the claim. The dot-dash lines represent the boundaries of the claim and form no part thereof.

**1 Claim, 16 Drawing Sheets**

(58) **Field of Classification Search**

USPC ..... D7/392.1, 396.1, 396.2, 396.3, 396.6, D7/397; D9/434, 435, 436, 438, 445, D9/447, 449, 454; D23/206, 209, 259, D23/260, 261; D24/193, 194, 197, 199  
 CPC ..... A47G 19/2211; A47G 19/2272; B65D 43/02; B65D 43/0214; B65D 43/0202; B65D 43/0218; B65D 41/34; B65D 53/02; B65D 50/041; B65D 2501/00; B65D 2501/0009; B65D 47/06; B65D 47/08; B65D 47/36; B65D 47/247; B65D 47/265; B65D 47/283; B65D 47/065; B65D 47/361; B65D 2231/022; B65D 2543/00046; B65D 2543/00351; A61J 1/16; F16B 47/00

See application file for complete search history.

(56) **References Cited**

U.S. PATENT DOCUMENTS

D184,116 S 12/1958 Witt  
 D271,858 S 12/1983 Martin et al.  
 D287,919 S 1/1987 Clements  
 D318,234 S 7/1991 Lillelund et al.  
 D350,046 S 8/1994 Zimmerman  
 D355,846 S 2/1995 Denney et al.  
 D372,866 S 8/1996 Ahern, Jr.  
 D379,928 S 6/1997 Freek et al.  
 D397,938 S 9/1998 Graham et al.  
 D417,845 S 12/1999 Sadlier et al.  
 D437,223 S 2/2001 Coy et al.  
 D450,583 S 11/2001 Freed  
 D465,970 S 11/2002 Dimeo  
 D516,424 S \* 3/2006 Schweigert ..... D9/447  
 D516,910 S 3/2006 Bresler  
 D525,869 S 8/2006 Tedford  
 D559,105 S 1/2008 D'Amato  
 D569,245 S 5/2008 Joshi et al.  
 D570,213 S 6/2008 Newman  
 D588,002 S 3/2009 D'Amato  
 D609,046 S \* 2/2010 Valderrama et al. .... D7/392.1  
 D642,915 S 8/2011 Swingle et al.

D662,362 S 6/2012 Bickert et al.  
 D663,574 S 7/2012 Shenkal  
 D666,052 S 8/2012 Trombly  
 D666,490 S 9/2012 Leon  
 D676,275 S 2/2013 Chen  
 D677,159 S 3/2013 Sina  
 D677,523 S 3/2013 Blckert et al.  
 D679,940 S 4/2013 Paige et al.  
 D690,988 S 10/2013 Audette  
 D691,414 S 10/2013 Trombly  
 D696,584 S 12/2013 Resnikoff et al.  
 D697,366 S 1/2014 Kristinik  
 D710,696 S 8/2014 Kwon  
 D727,681 S 4/2015 Osgood et al.  
 D731,240 S 6/2015 Bell et al.  
 D734,092 S \* 7/2015 Kristinik ..... D7/392.1  
 D734,152 S 7/2015 Hager et al.  
 9,114,920 B1 \* 8/2015 Edelman ..... B65D 51/2835  
 D753,950 S 4/2016 Feeley et al.  
 D761,104 S 7/2016 Buck  
 D763,620 S 8/2016 Szymanski  
 D763,621 S 8/2016 Szymanski  
 D770,895 S 11/2016 Brown  
 D775,492 S 1/2017 Elias  
 D779,325 S 2/2017 Vigoureux  
 D781,703 S 3/2017 Strachan  
 D786,673 S 5/2017 Moffat  
 D806,469 S 1/2018 Palmer  
 D809,385 S 2/2018 Brinkworth  
 D815,489 S 4/2018 Yan et al.  
 D815,890 S 4/2018 Boroski  
 D820,678 S 6/2018 Chapman et al.  
 D827,363 S 9/2018 Matsui  
 D828,085 S 9/2018 Baron et al.  
 D831,482 S 10/2018 Meyers  
 D833,212 S 11/2018 Buck  
 D833,807 S 11/2018 Mebberson  
 D836,433 S 12/2018 Cahalan  
 D845,064 S \* 4/2019 Mulhauser ..... D7/392.1  
 2014/0117016 A1 \* 5/2014 Hodge ..... B65D 47/286  
 220/254.9  
 2014/0299614 A1 \* 10/2014 Mithal ..... B65D 43/0212  
 220/713  
 2016/0198875 A1 \* 7/2016 Mithal ..... B65D 43/0212  
 220/713  
 2018/0042413 A1 \* 2/2018 Althaher ..... A47G 19/2272  
 2018/0206660 A1 \* 7/2018 Heiman ..... A47G 19/2272  
 2019/0039788 A1 \* 2/2019 Chambers ..... B65D 43/0212

OTHER PUBLICATIONS

<https://www.the-complete-package.com/View/Strawless-Sip-Lid-for-PET-Drink-Cups-by-Amhil>, 1 page. Accessed Jul. 25, 2019.

\* cited by examiner



FIG. 1

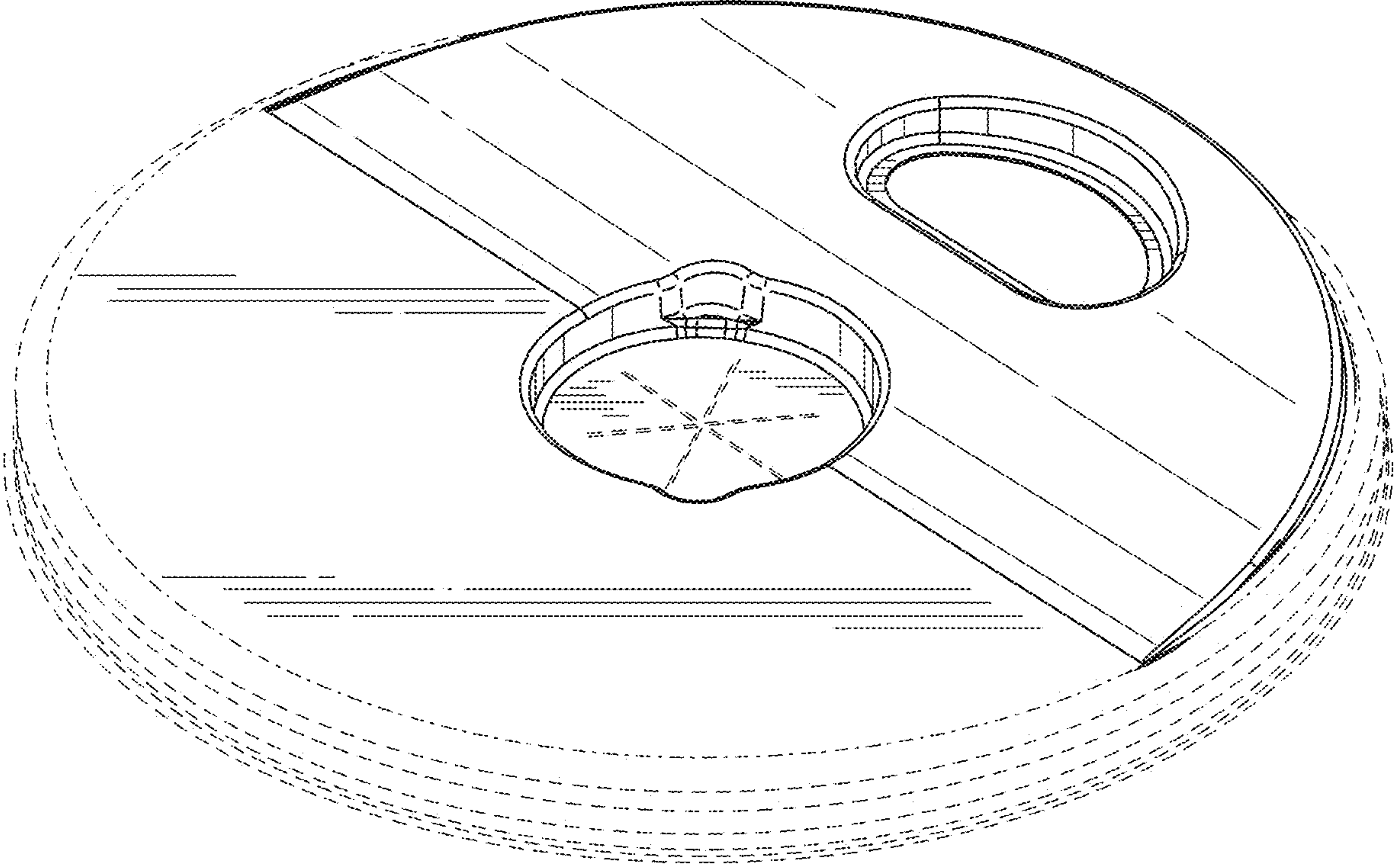


FIG. 2

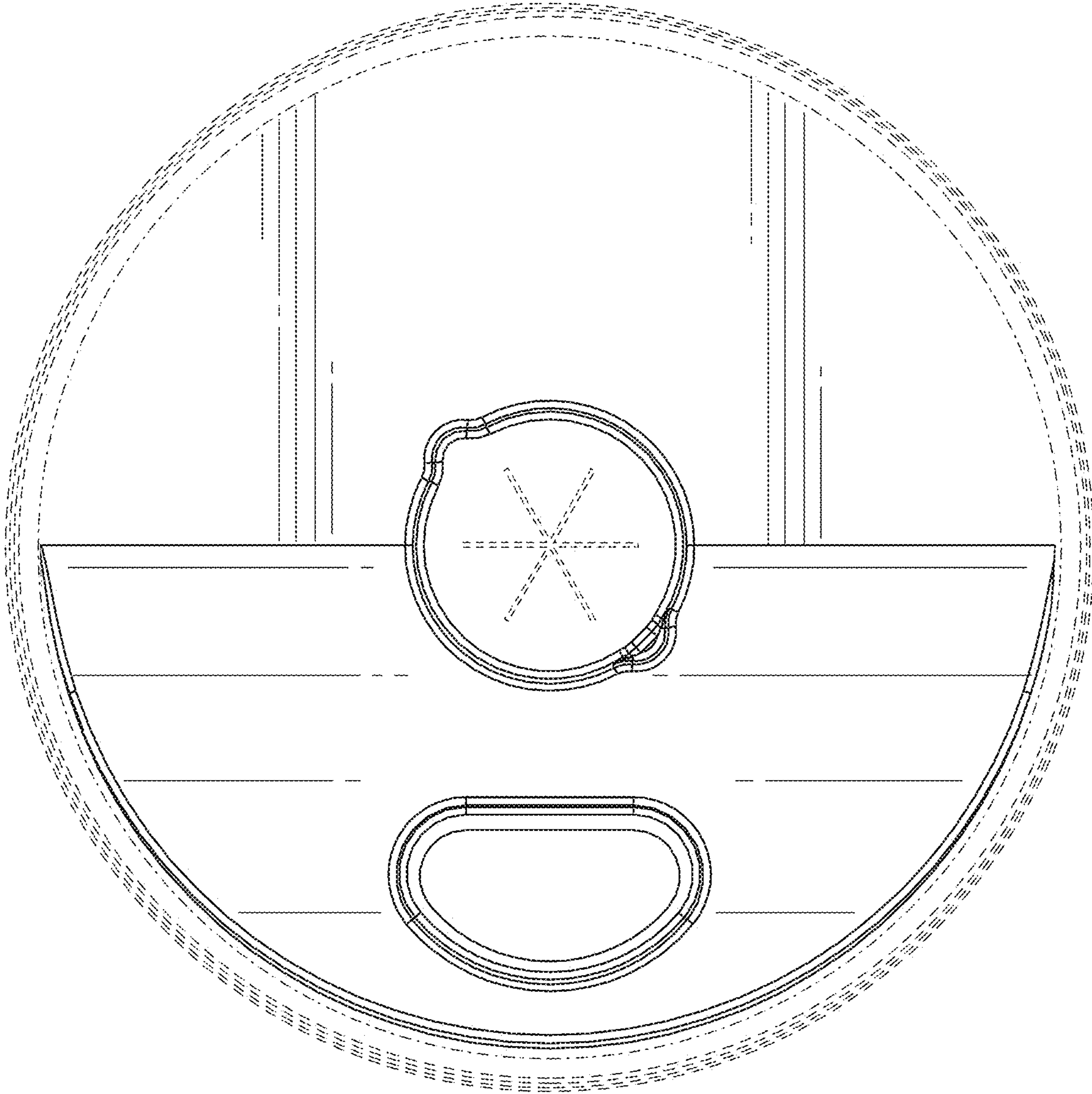


FIG. 3

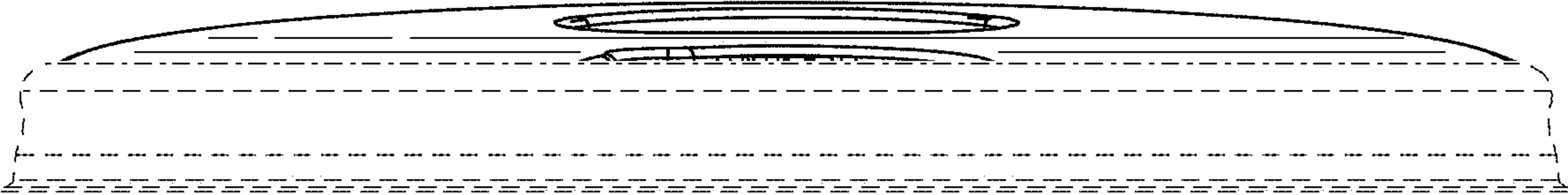


FIG. 4

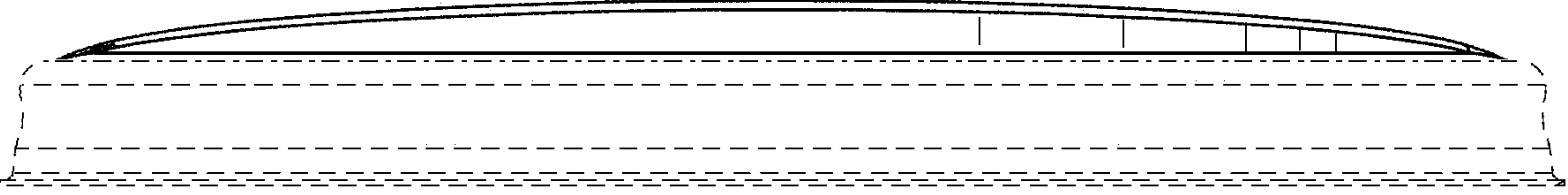


FIG. 5

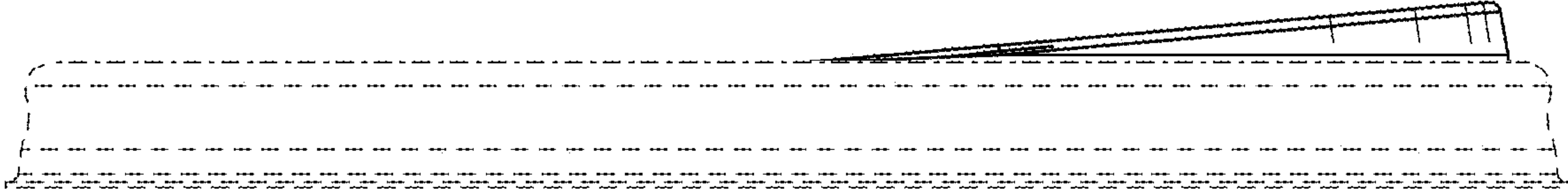


FIG. 6

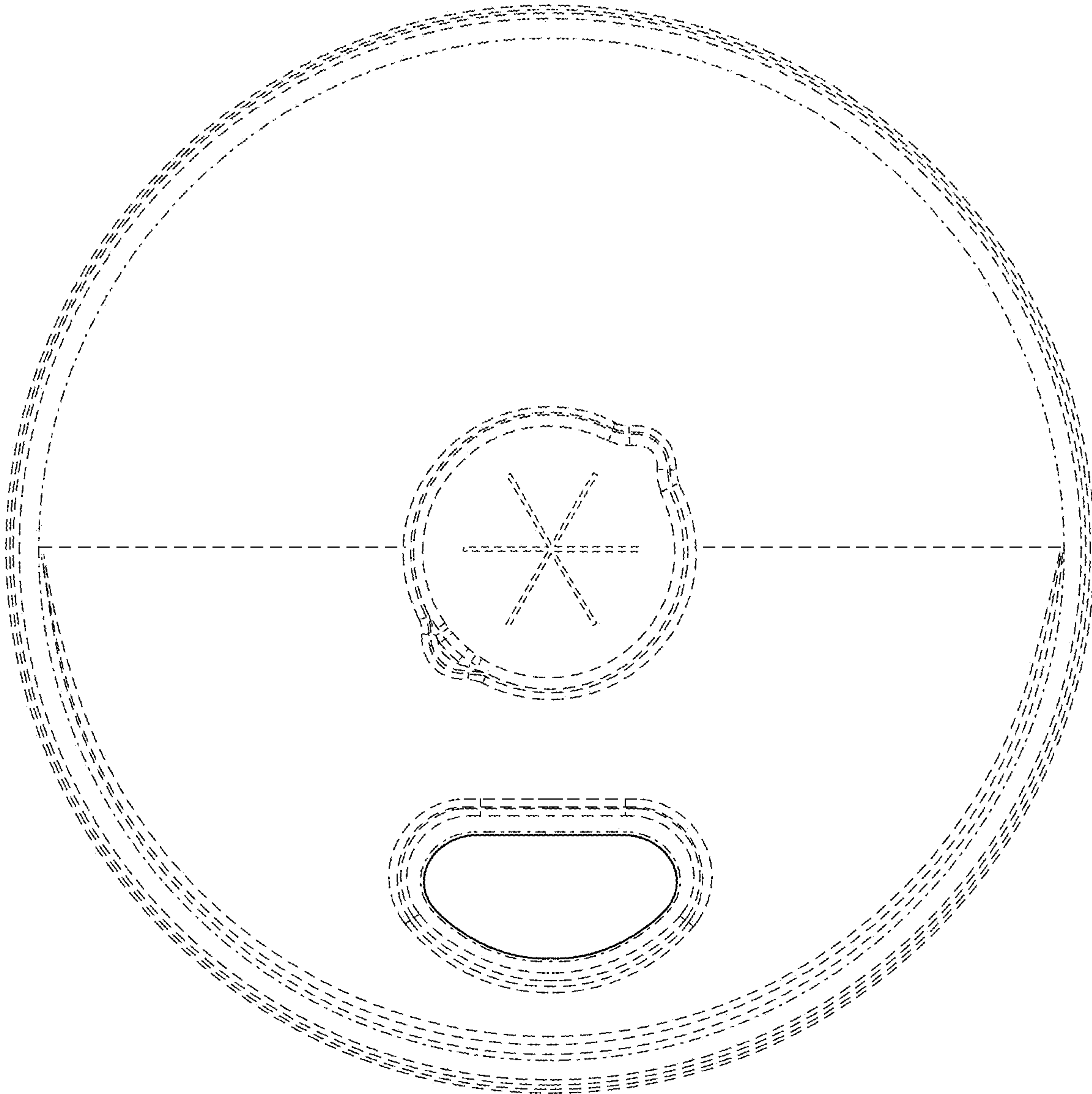


FIG. 7

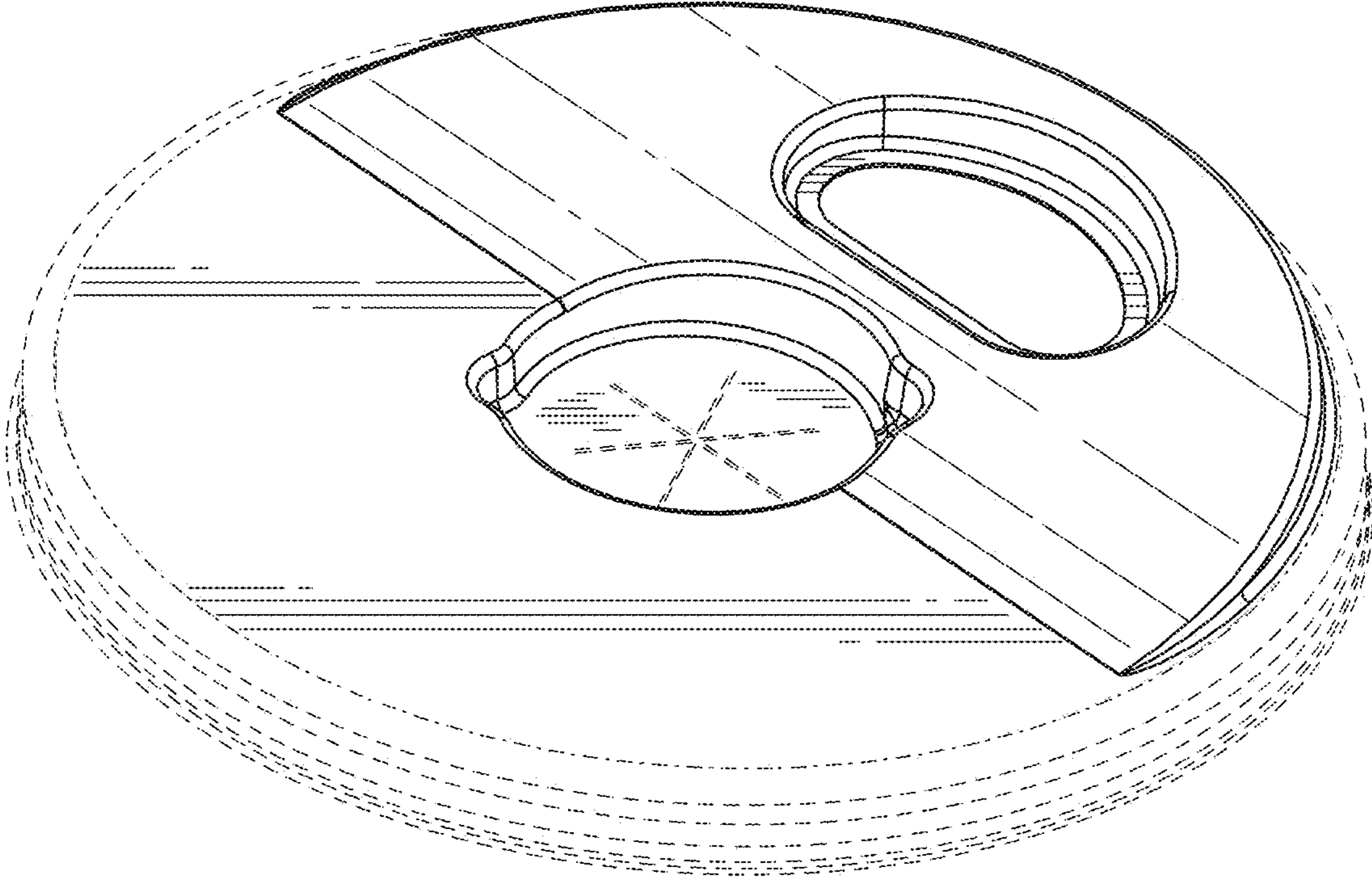
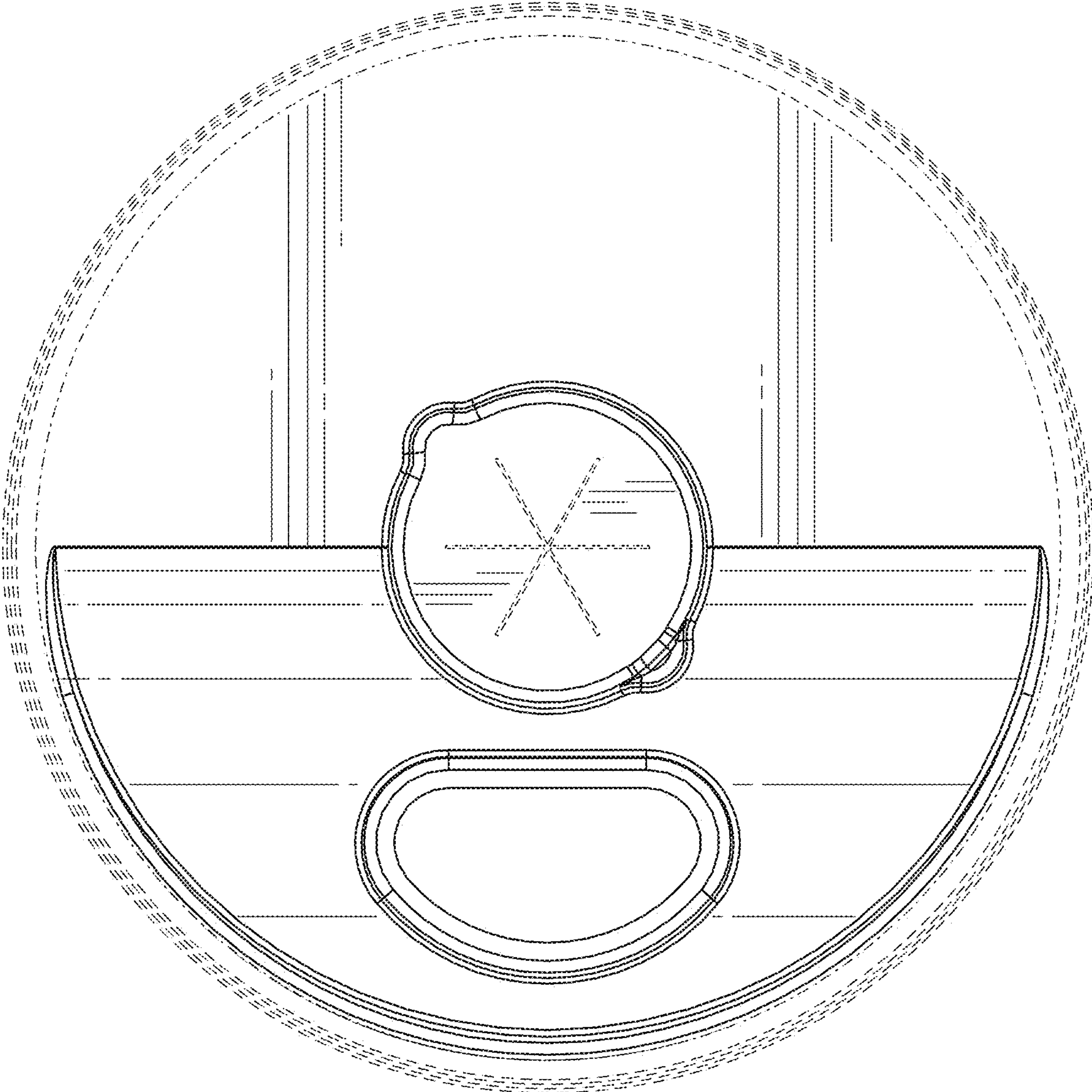


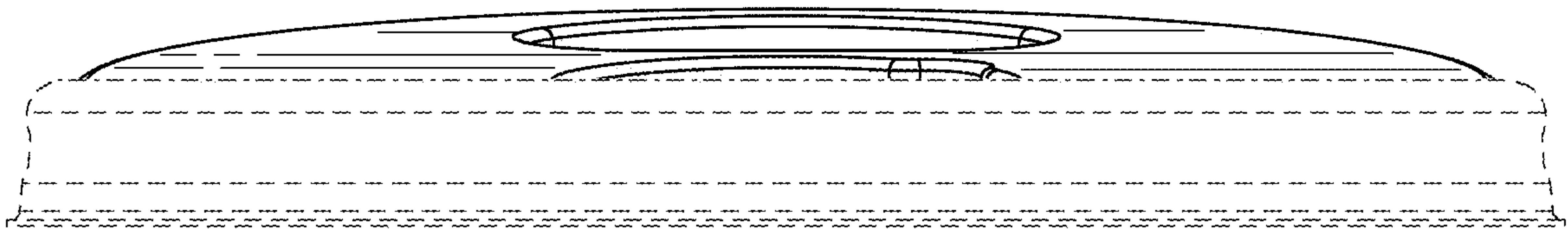


FIG. 8





**FIG. 9**



**FIG. 10**

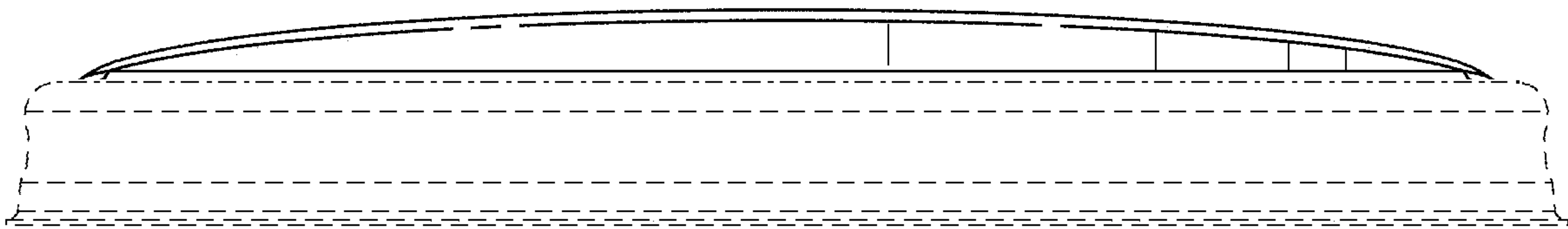


FIG. 11

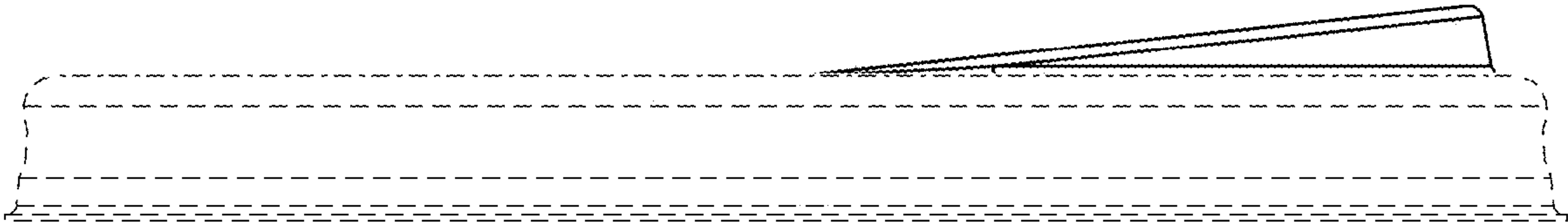


FIG. 12

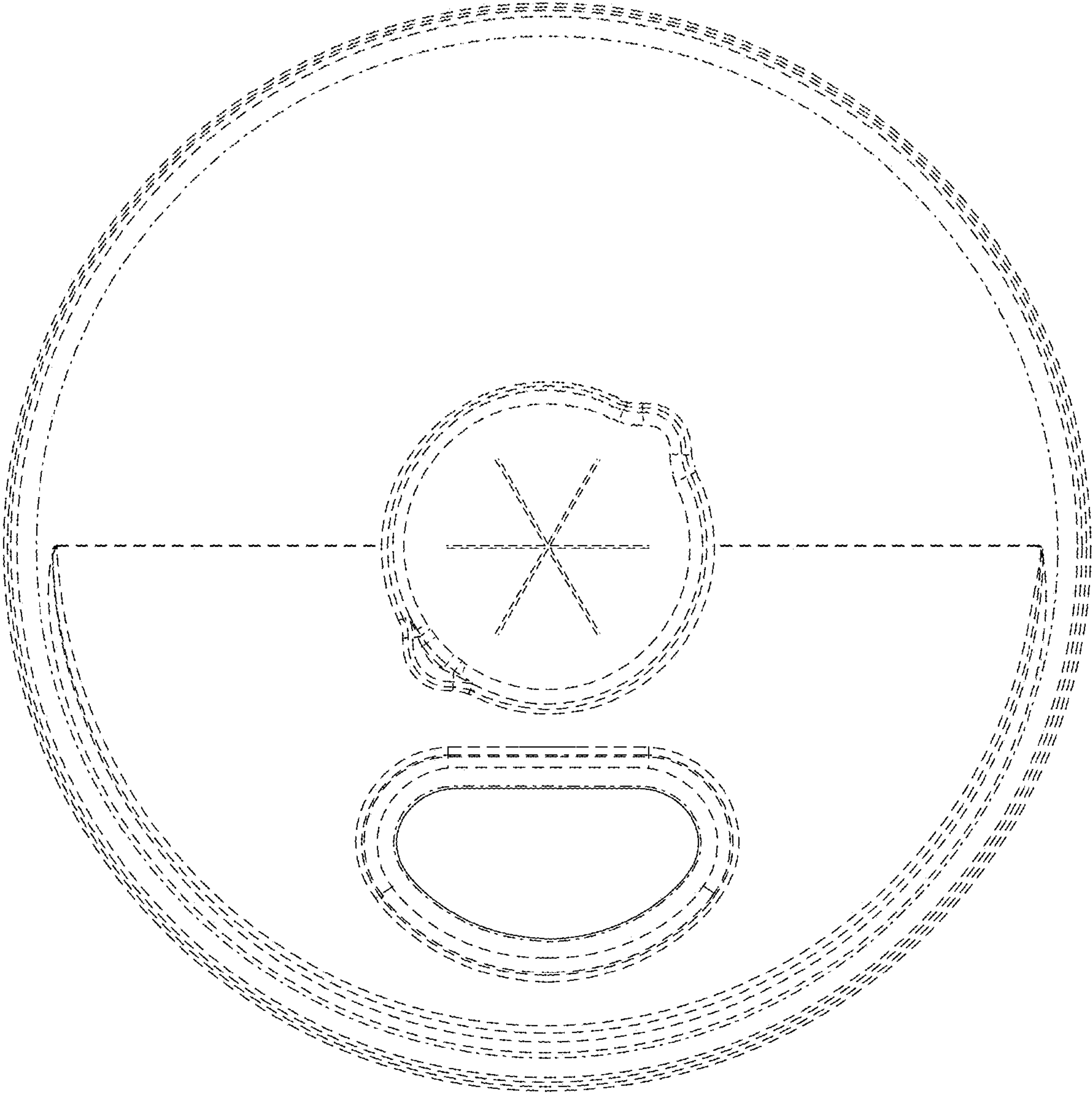


FIG. 13

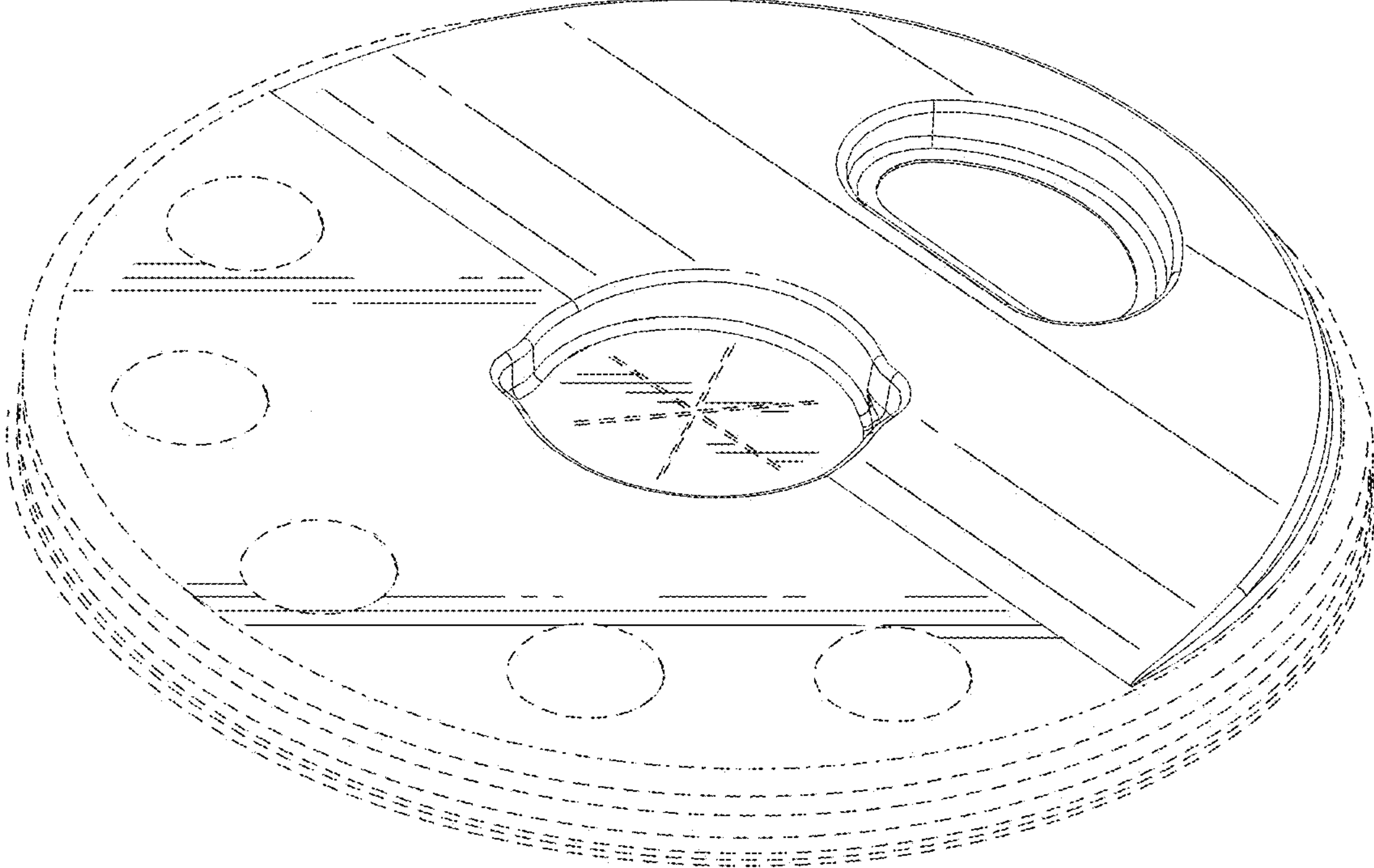
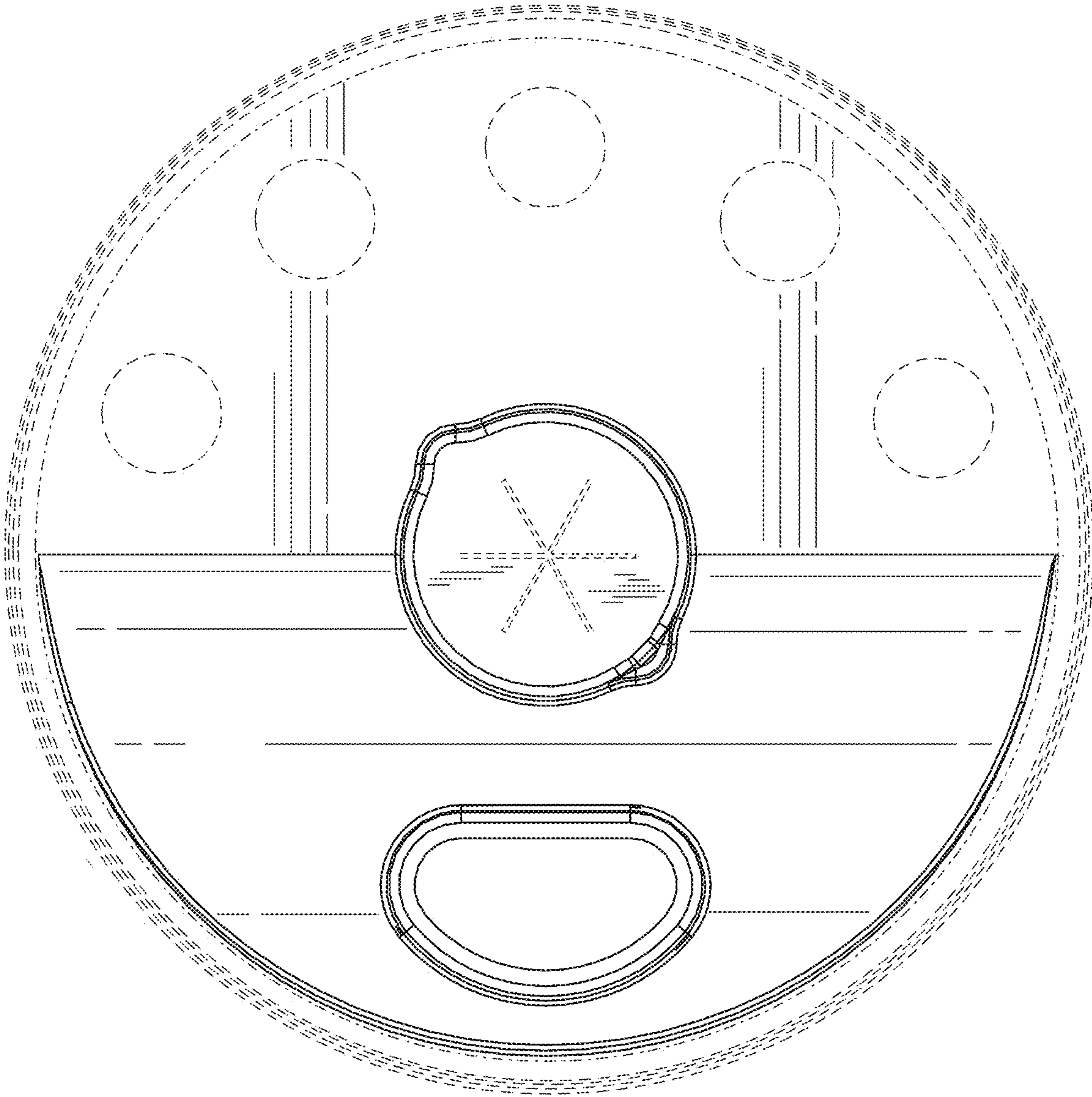
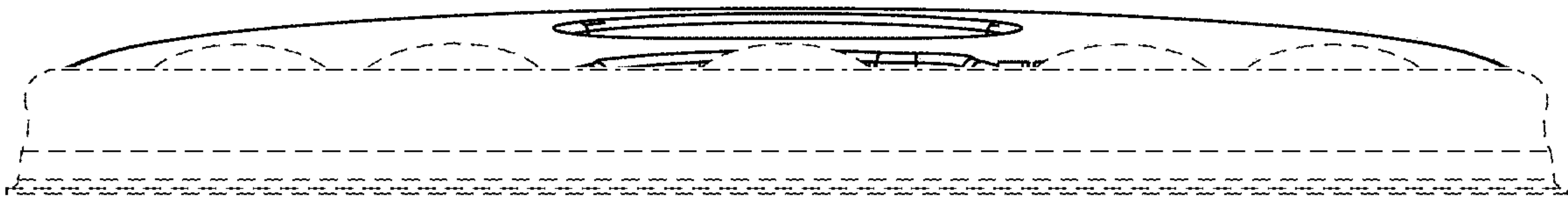




FIG. 14



**FIG. 15**



**FIG. 16**

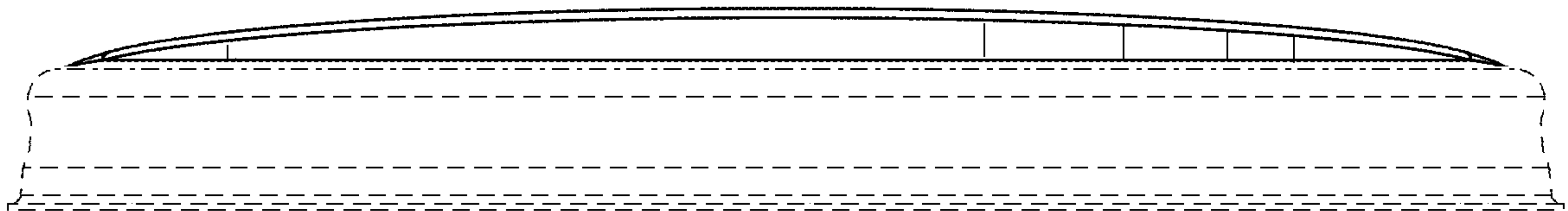


FIG. 17

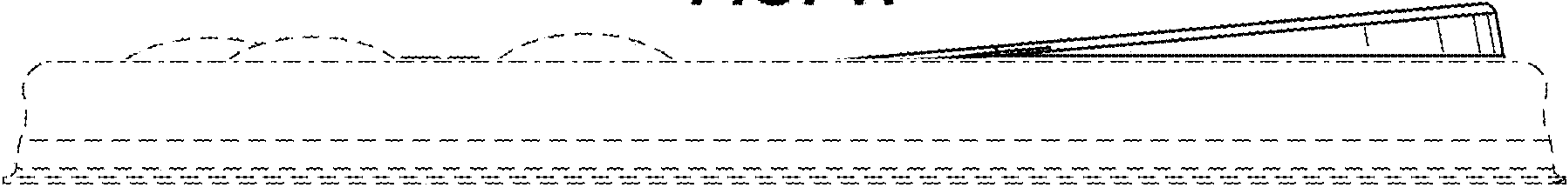


FIG. 18

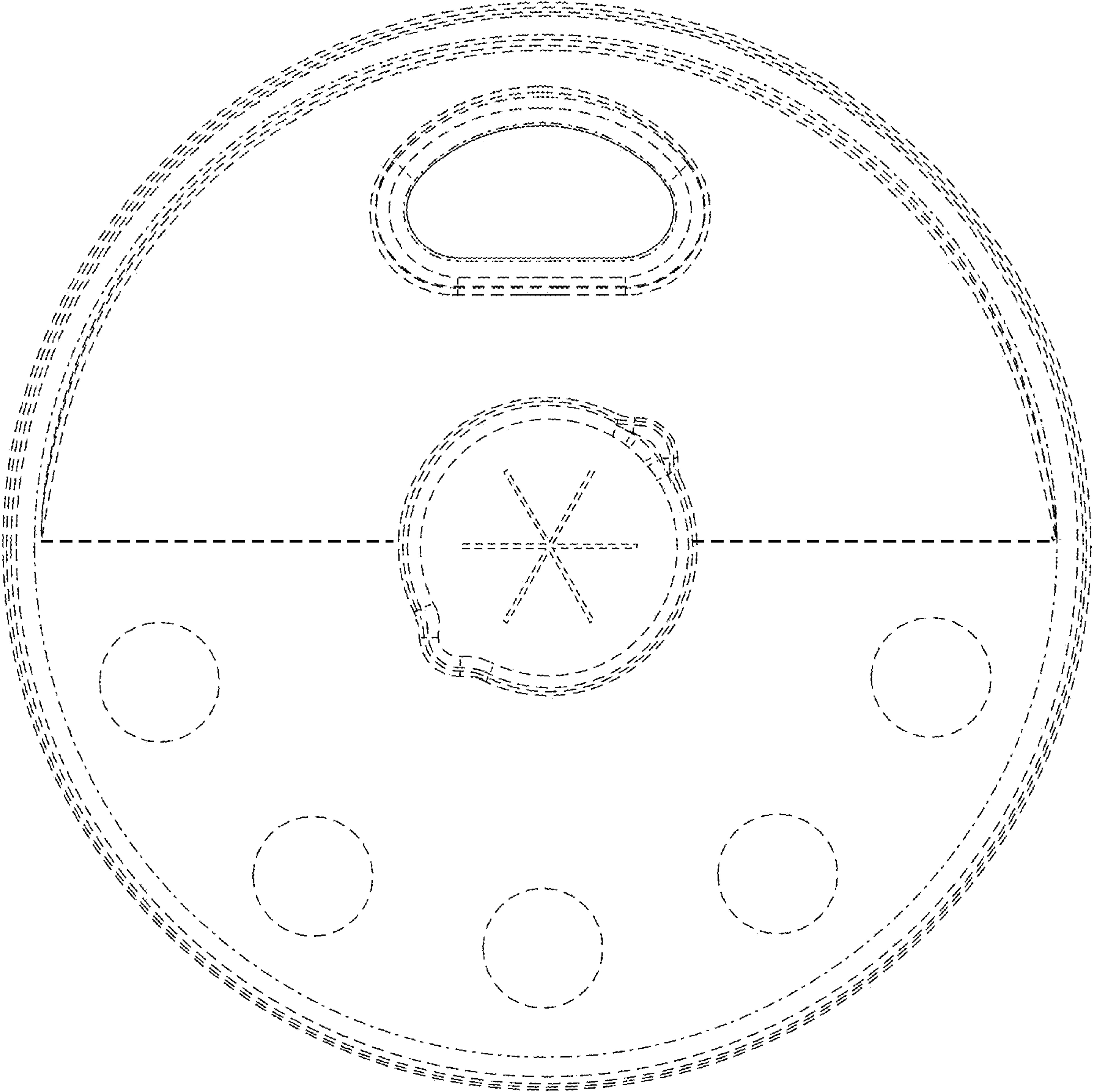




FIG. 19

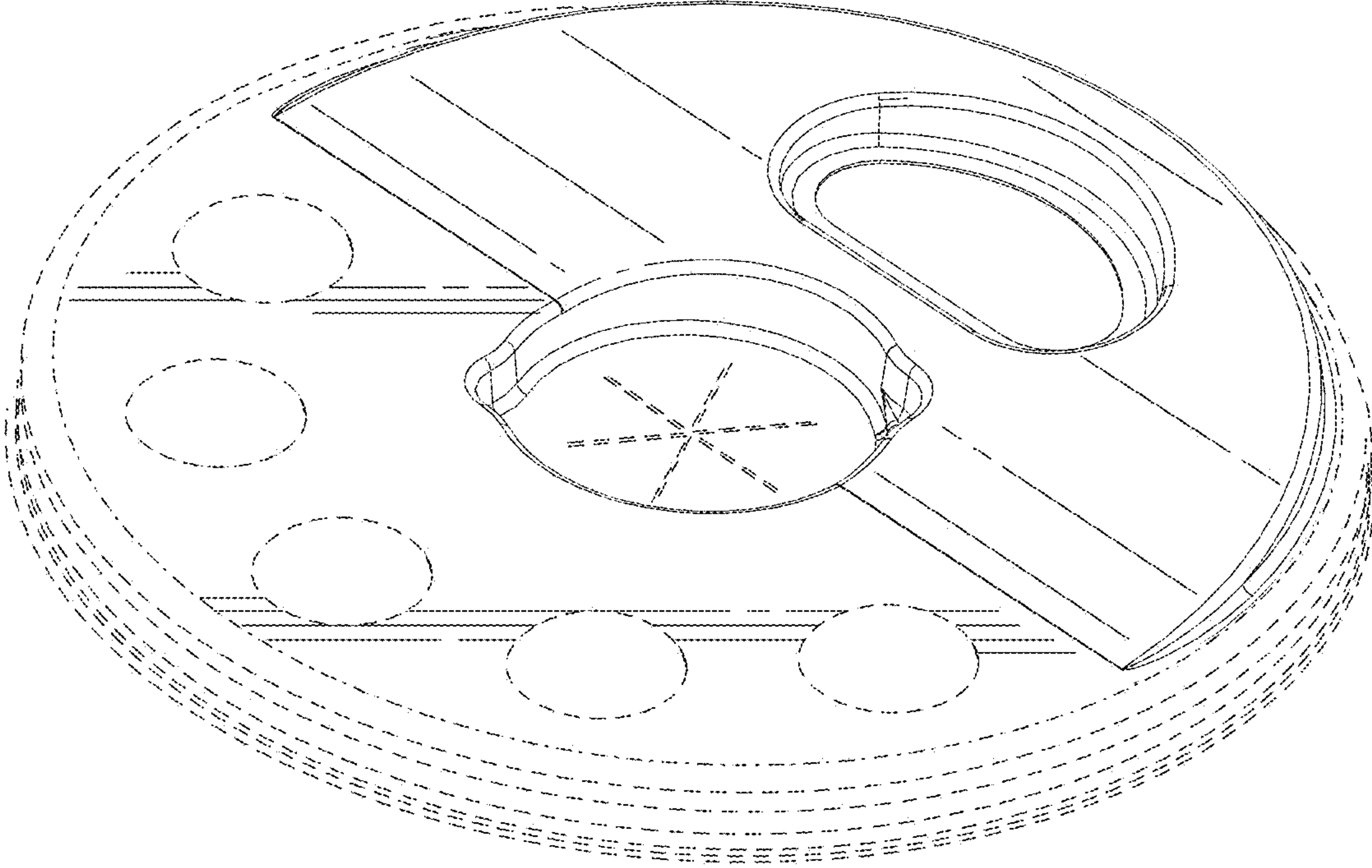
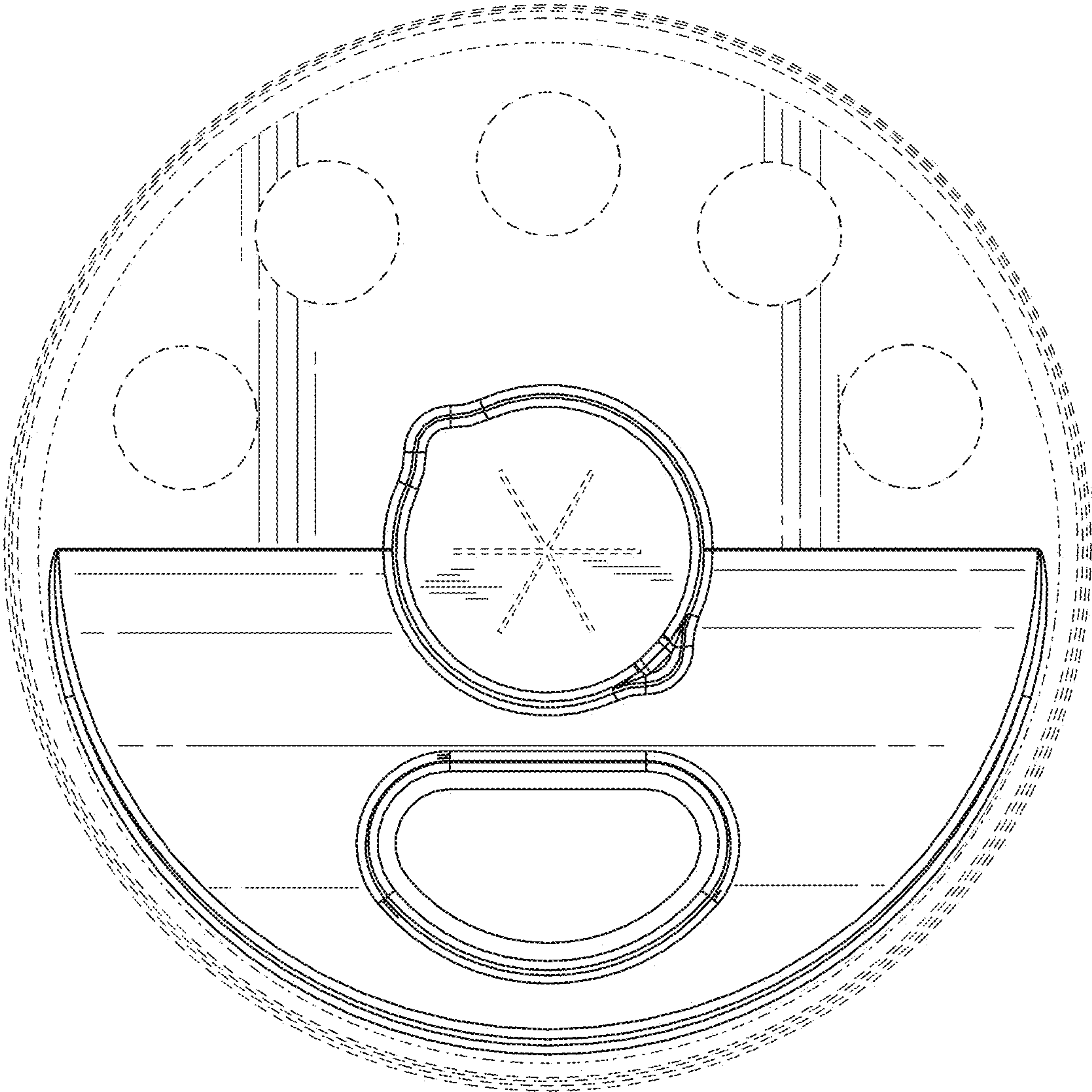
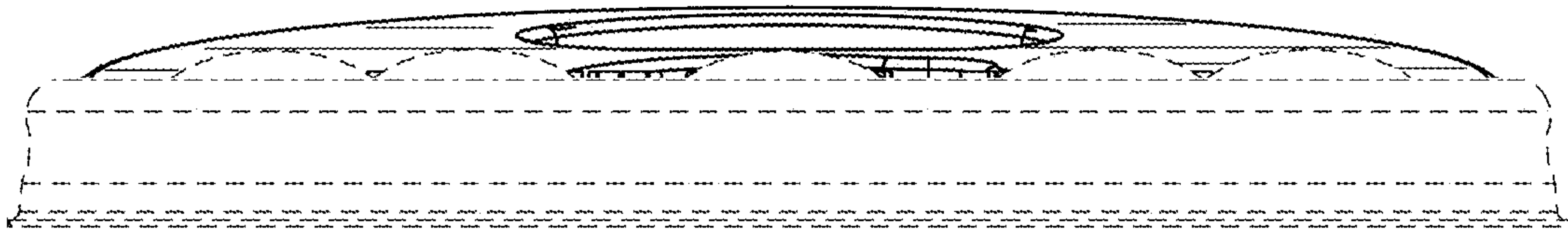


FIG. 20



**FIG. 21**



**FIG. 22**

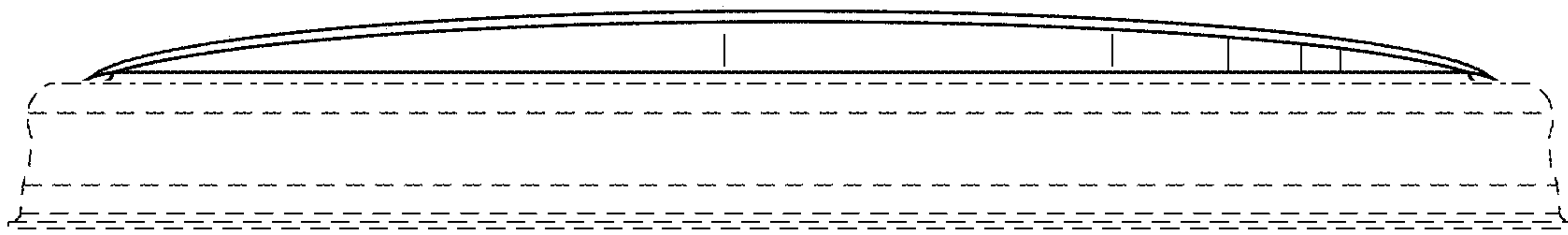




FIG. 23

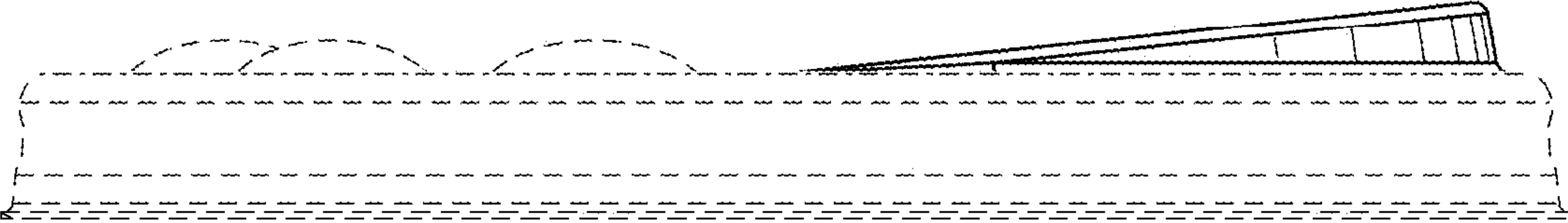


FIG. 24

