



US00D910442S

(12) **United States Design Patent** (10) **Patent No.:** **US D910,442 S**
Pellingra (45) **Date of Patent:** **** Feb. 16, 2021**

- (54) **ONE HANDED DISPENSING POUCH**
- (71) Applicant: **PROAMPAC HOLDINGS INC.,**
Cincinnati, OH (US)
- (72) Inventor: **Salvatore J. Pellingra,** Newport, KY
(US)
- (73) Assignee: **PROAMPAC HOLDINGS INC.,**
Cincinnati, OH (US)
- (**) Term: **15 Years**
- (21) Appl. No.: **29/722,892**
- (22) Filed: **Feb. 3, 2020**

Related U.S. Application Data

- (60) Division of application No. 29/653,270, filed on Jun. 13, 2018, which is a continuation-in-part of
(Continued)
- (51) **LOC (13) Cl.** **09-07**
- (52) **U.S. Cl.**
USPC **D9/443; D9/447**
- (58) **Field of Classification Search**
USPC D7/392.1, 396.2; D9/434, 435, 440, 447,
D9/449, 499, 443, 702, 703, 705, 708,
D9/709, 711
(Continued)

References Cited

U.S. PATENT DOCUMENTS

- D24,291 S 5/1895 Somers
 - D158,307 S 4/1950 Molitor
- (Continued)

OTHER PUBLICATIONS

Bless This Stuff. Kebo the One-handed Bottle Opener. No date specified. <https://www.blessthisstuff.com/stuff/culture/drinks/kebo-the-one-handed-bottle-opener/> (Year: 0).*

Primary Examiner — Darcey E Gottschalk
(74) *Attorney, Agent, or Firm* — McLane Middleton, Professional Association

(57) **CLAIM**

The ornamental design for a one handed dispensing pouch, substantially as shown and described.

DESCRIPTION

FIG. 1 is a front perspective view of a one handed dispensing pouch in accordance with one form of the present invention; FIG. 2 is a top plan view of the one handed dispensing pouch of FIG. 1; FIG. 3 is a front elevation view of the one handed dispensing pouch affixed to a pouch of FIG. 1; FIG. 4 is a right side elevation view of the one handed dispensing pouch of FIG. 1; FIG. 5 is a front perspective view of a one handed dispensing pouch in accordance with a second form of the present invention; FIG. 6 is a top plan view of the one handed dispensing pouch of FIG. 5; FIG. 7 is a front elevation view of the one handed dispensing pouch of FIG. 5; FIG. 8 is a right side elevation view of the one handed dispensing pouch of FIG. 5; FIG. 9 is a front perspective view of a one handed dispensing pouch in accordance with a third form of the present invention; FIG. 10 is a top plan view of the one handed dispensing pouch of FIG. 9; FIG. 11 is a front elevation view of the one handed dispensing pouch of FIG. 9; FIG. 12 is a right side elevation view of the one handed dispensing pouch of FIG. 9; FIG. 13 is a front perspective view of a one handed dispensing pouch in accordance with a fourth form of the present invention; FIG. 14 is a top plan view of the one handed dispensing pouch of FIG. 13; FIG. 15 is a front elevation view of the one handed dispensing pouch of FIG. 13; and,

(Continued)

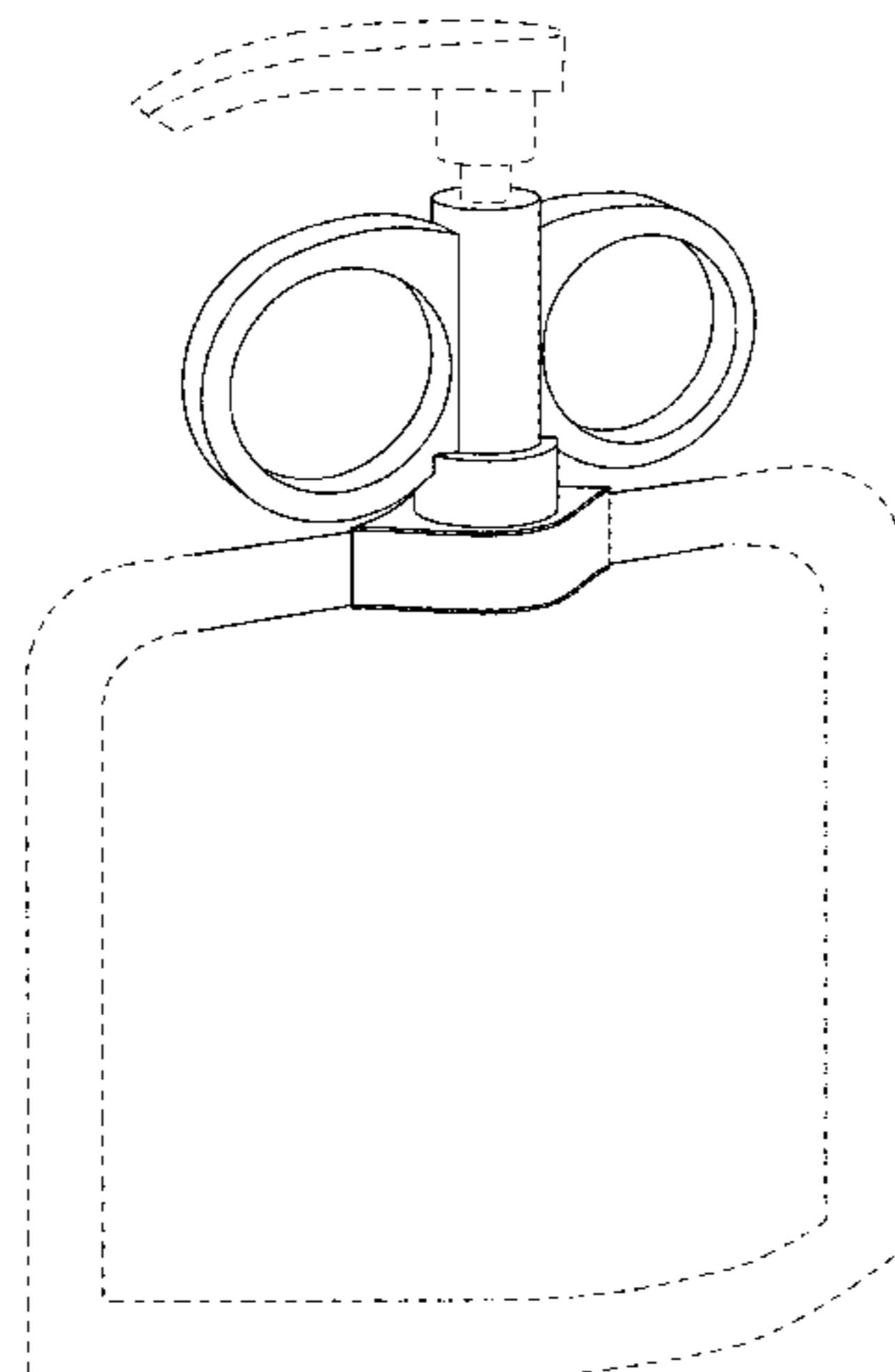


FIG. 16 is a right side elevation view of the one handed dispensing pouch of FIG. 13.
In the drawings, the broken lines show portions of a one handed dispensing pouch that form no part of the claim.

1 Claim, 16 Drawing Sheets

Related U.S. Application Data

application No. 29/629,843, filed on Dec. 15, 2017, now Pat. No. Des. 876,231.

(58) **Field of Classification Search**

CPC B05B 7/30; B05B 11/3059; B05B 11/3001
See application file for complete search history.

(56) **References Cited**

U.S. PATENT DOCUMENTS

D272,135 S 1/1984 Hayes

D291,763 S	9/1987	Dunn et al.	
D334,888 S	4/1993	Merritt	
D374,620 S	10/1996	McQuade et al.	
D379,432 S	5/1997	Santini	
D380,670 S	7/1997	Blocker	
D386,409 S	11/1997	Santini	
D412,665 S	8/1999	Smith et al.	
D421,221 S	2/2000	O’Kane	
D479,985 S	9/2003	Lowance	
D512,648 S	12/2005	Smith et al.	
D657,259 S	4/2012	Garneau	
D676,319 S	2/2013	Wadt	
D736,097 S	8/2015	Bailey et al.	
D742,227 S	11/2015	Weisniewski et al.	
D744,831 S	12/2015	Geeting et al.	
D819,896 S	6/2018	Bartz	
D825,331 S	8/2018	Thwaites et al.	
D876,231 S *	2/2020	Pellingra	D9/443

* cited by examiner

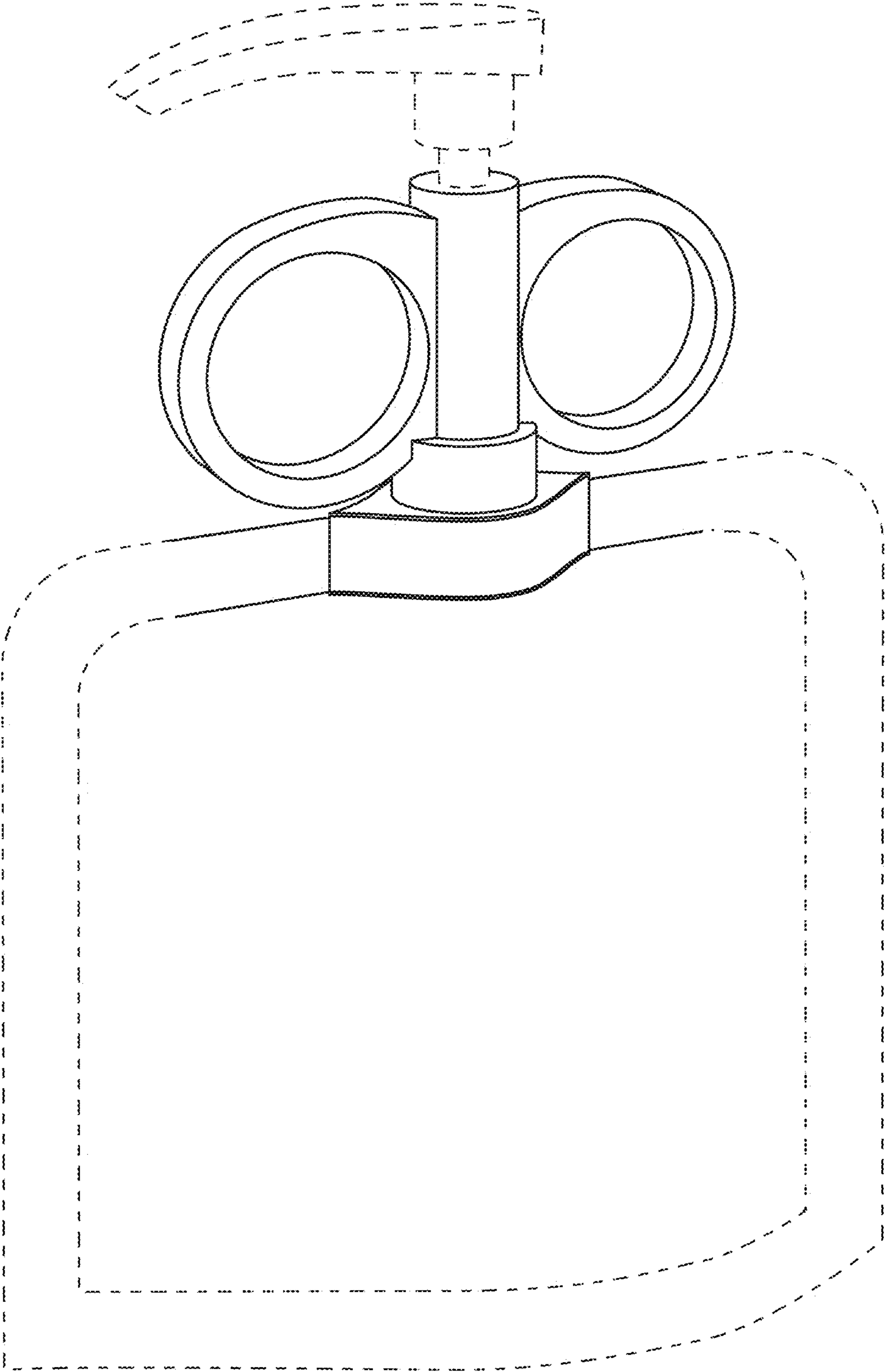


FIG. 1

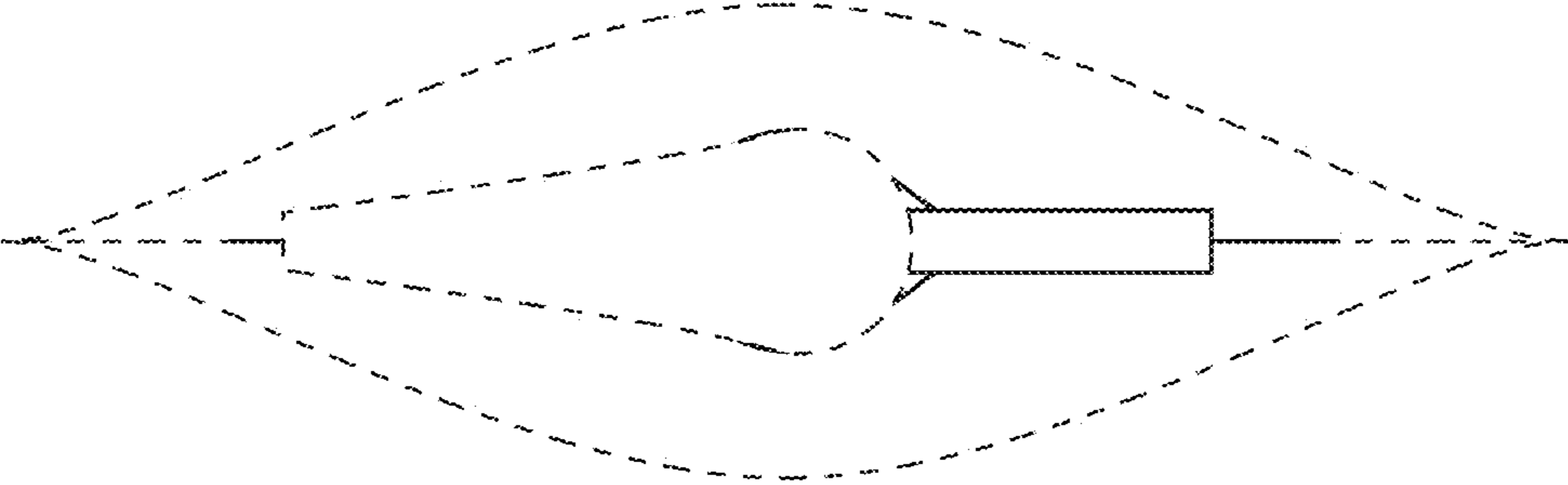


FIG. 2

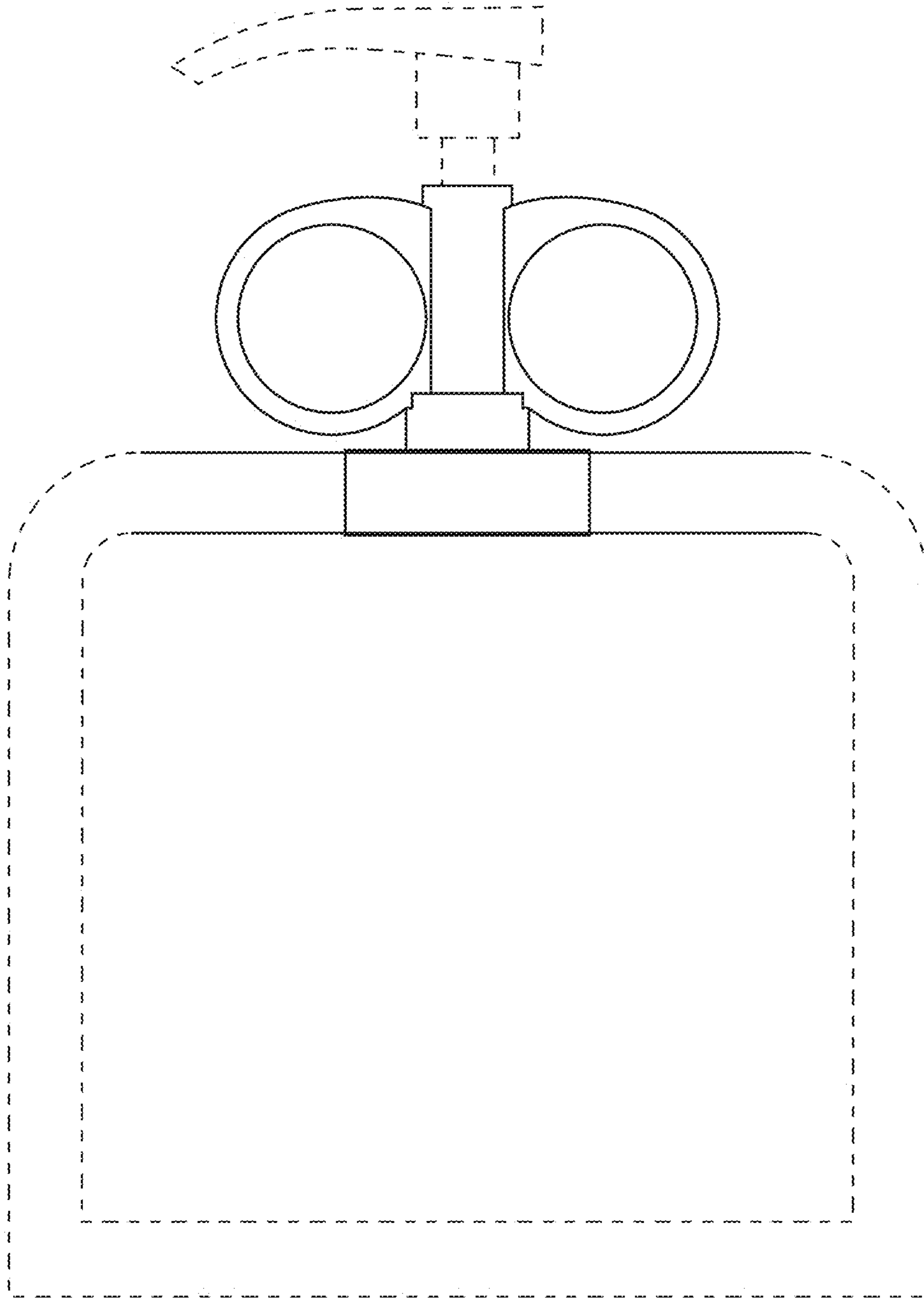


FIG. 3

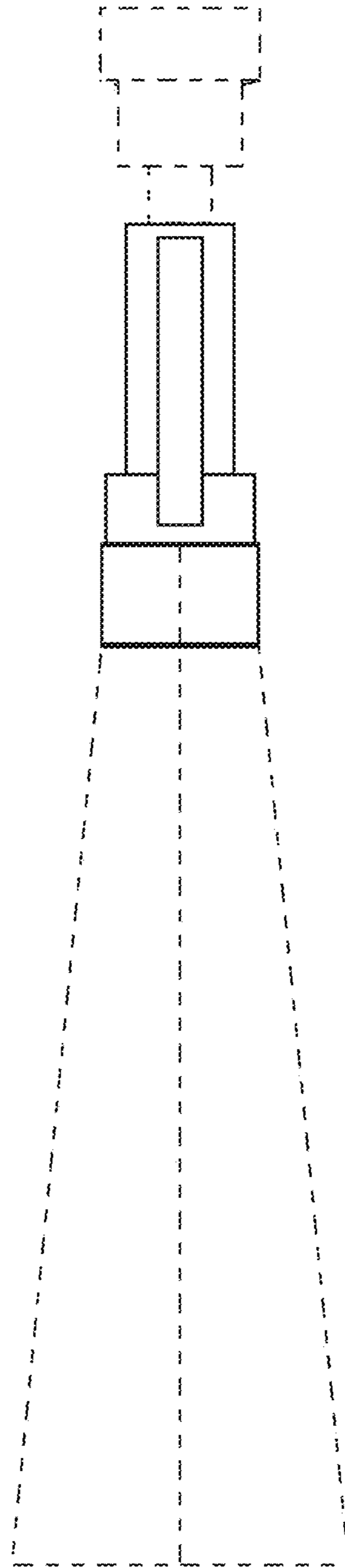


FIG. 4

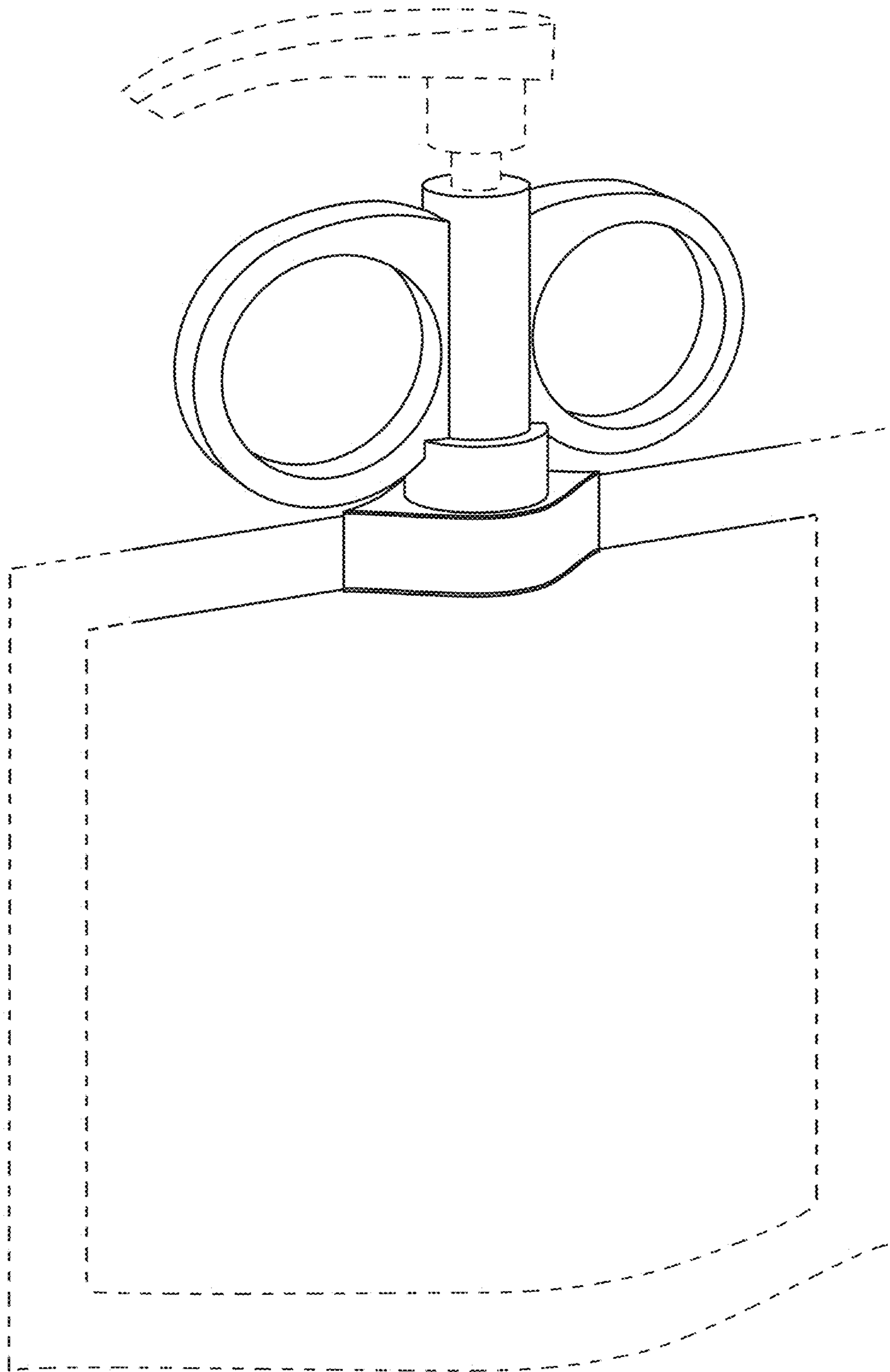


FIG. 5

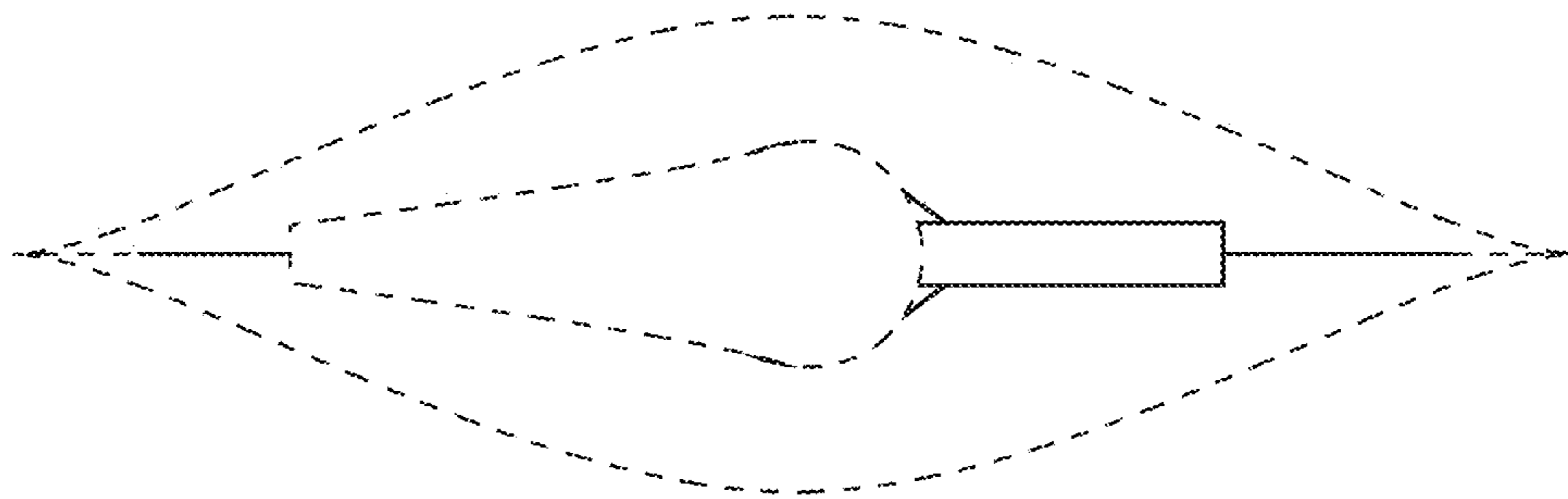


FIG. 6

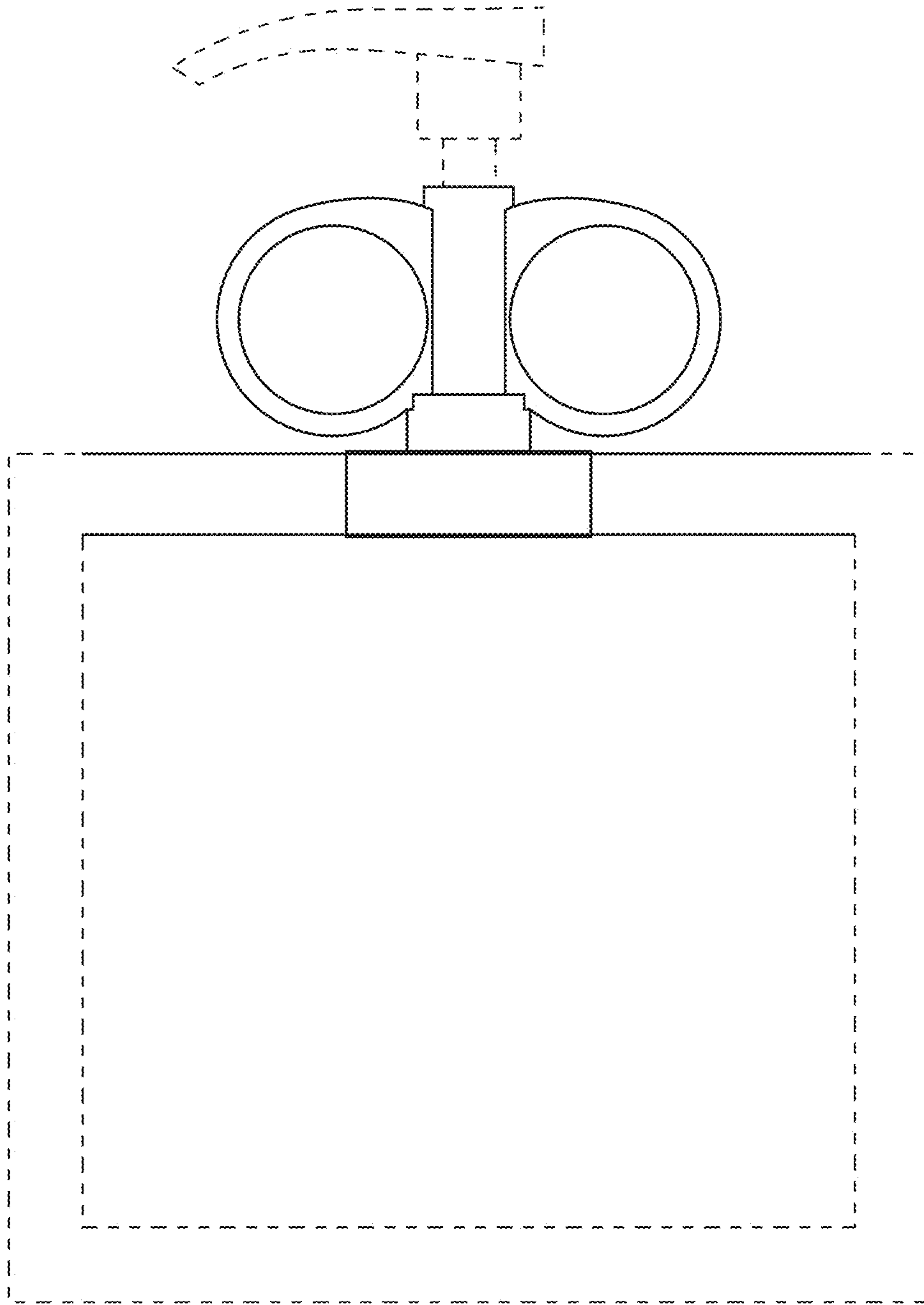


FIG. 7

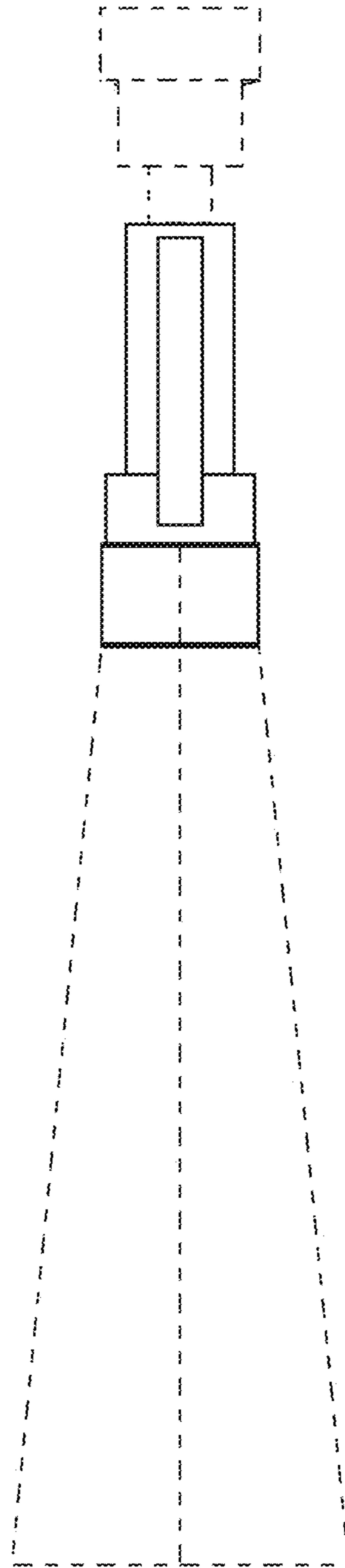


FIG. 8

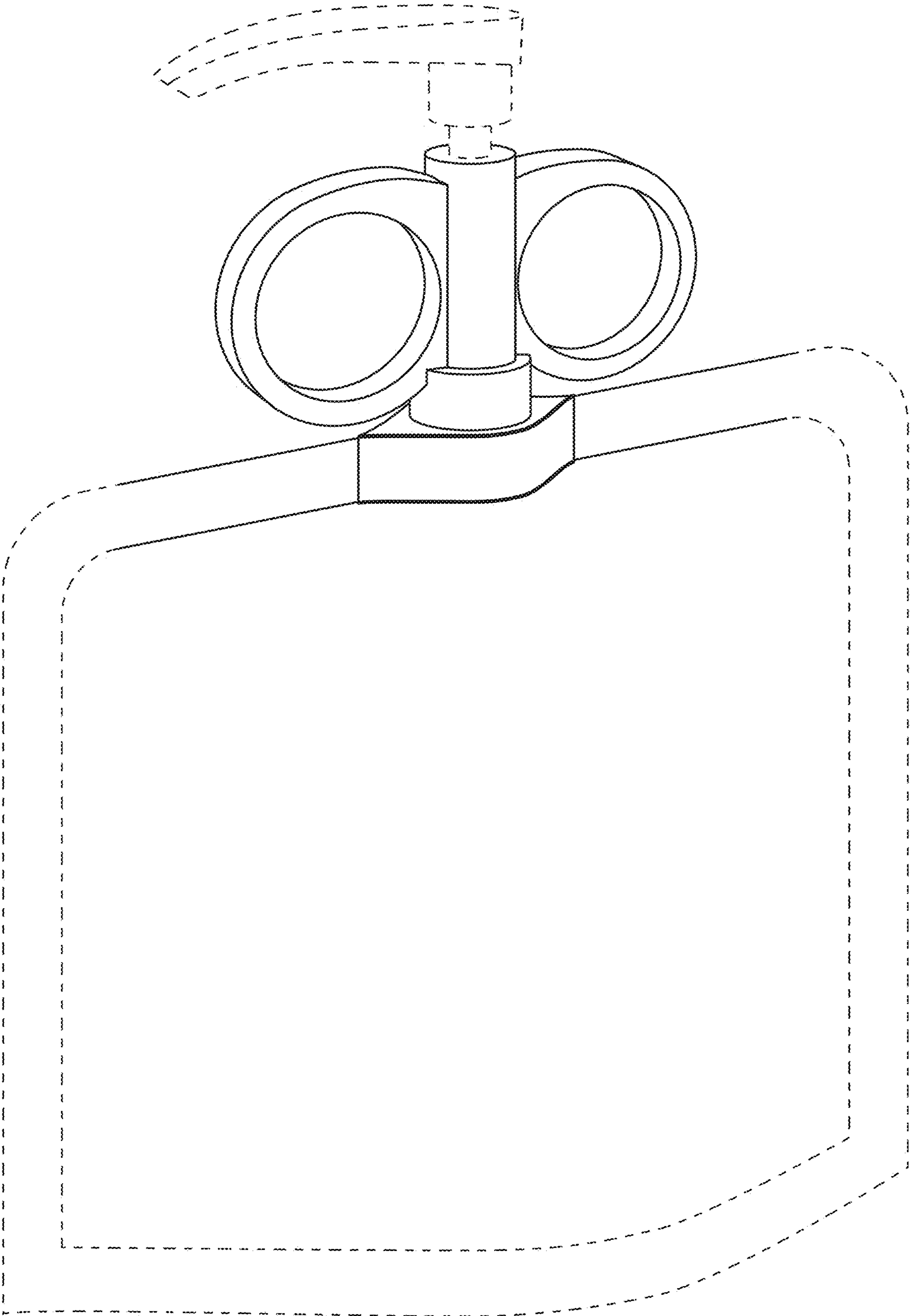


FIG. 9

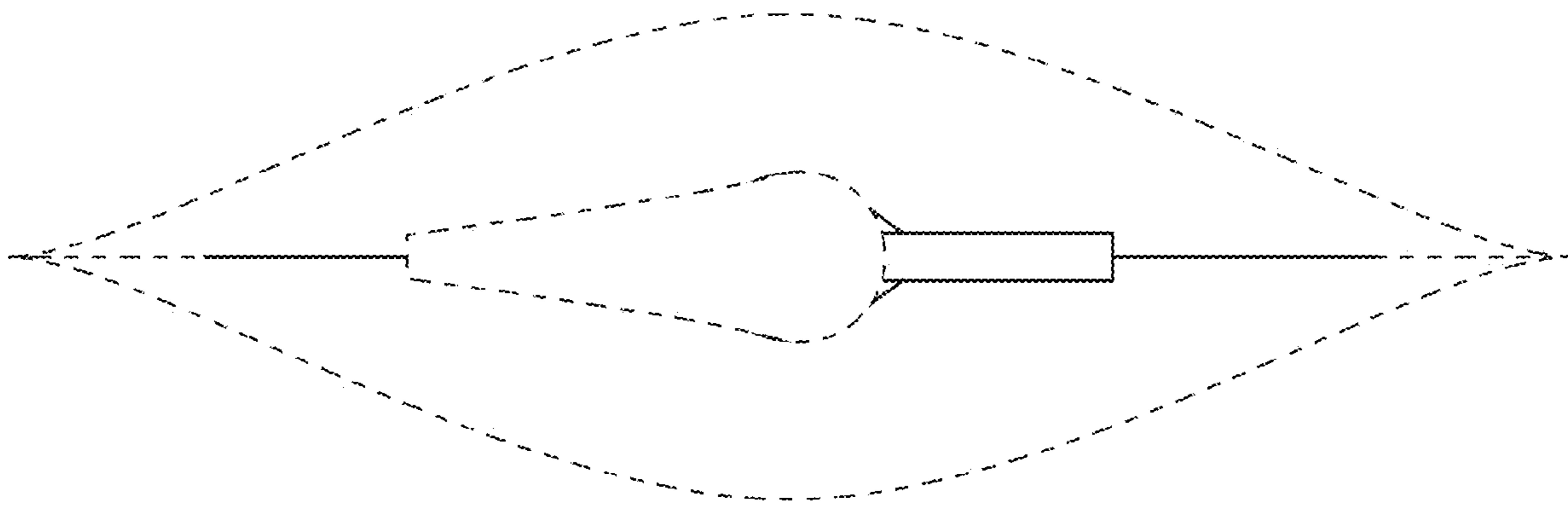


FIG. 10

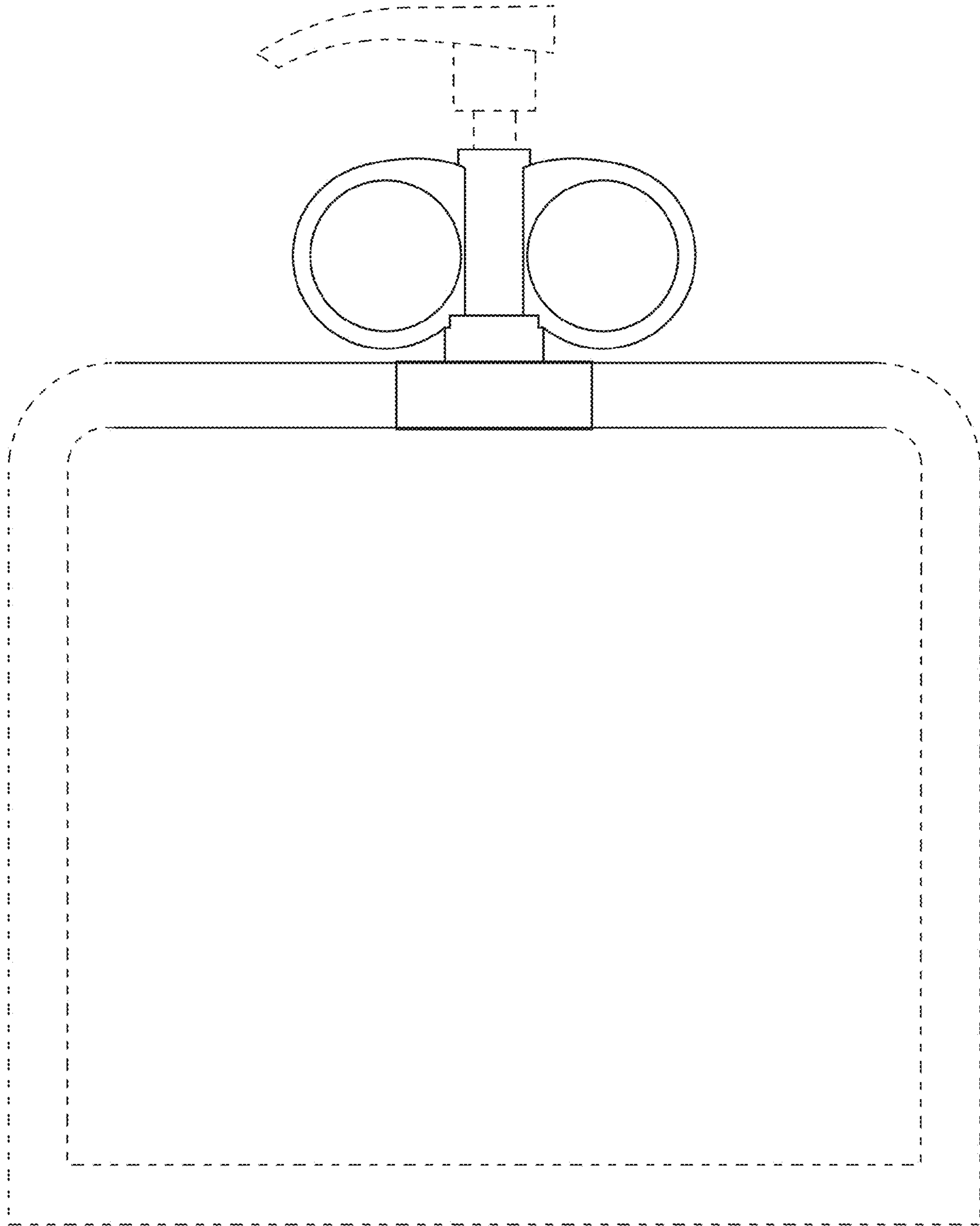


FIG. 11

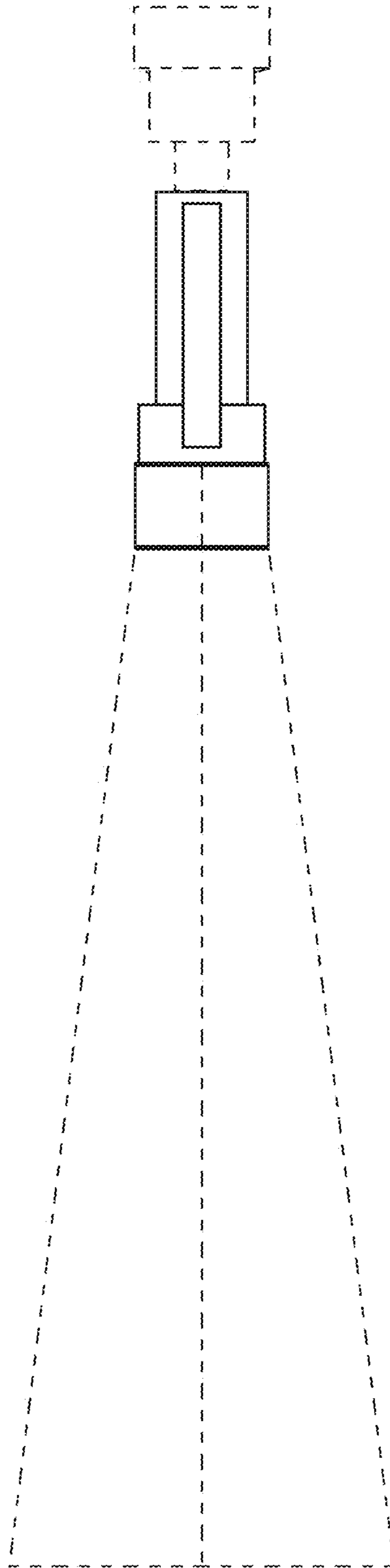


FIG. 12

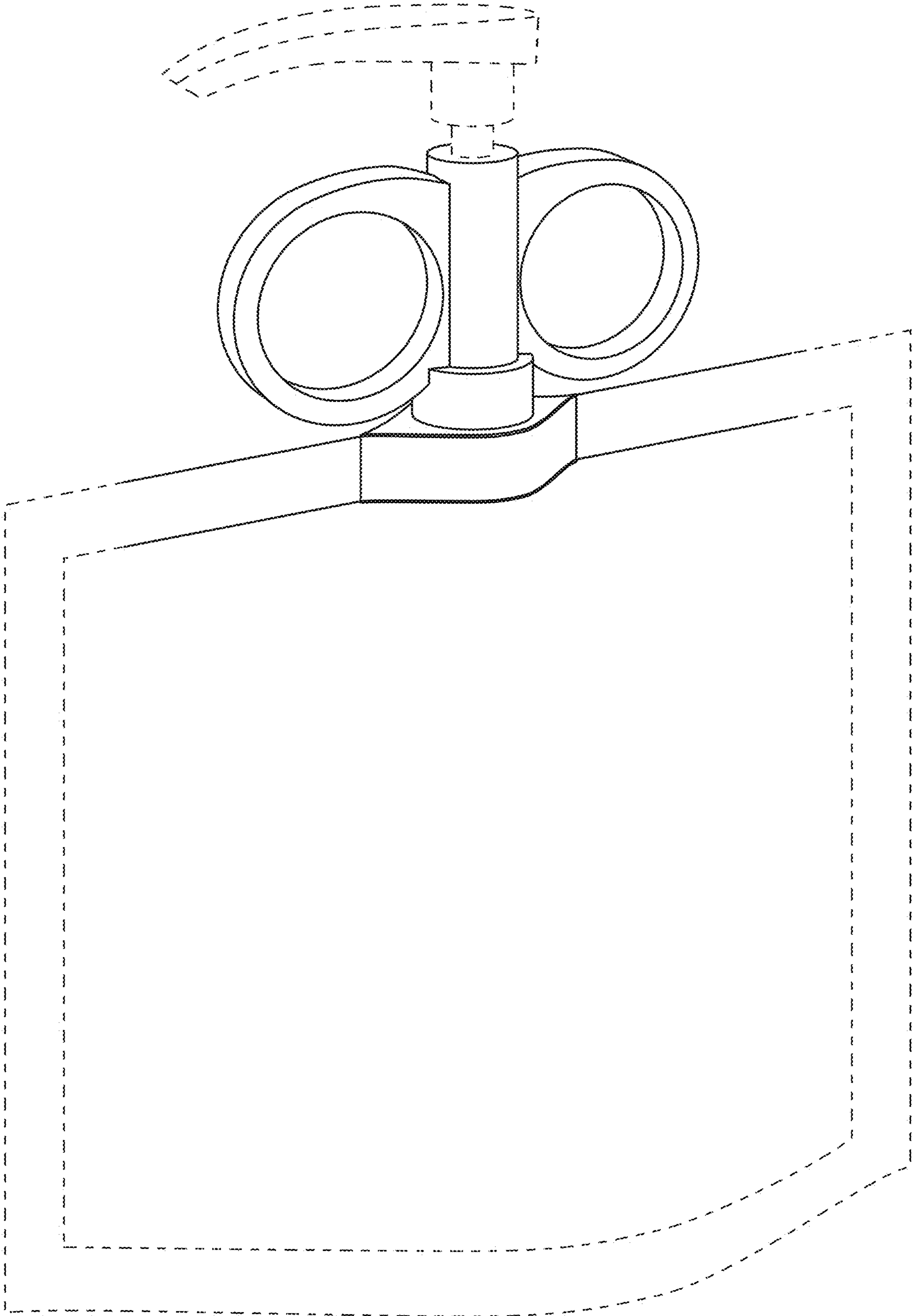


FIG. 13

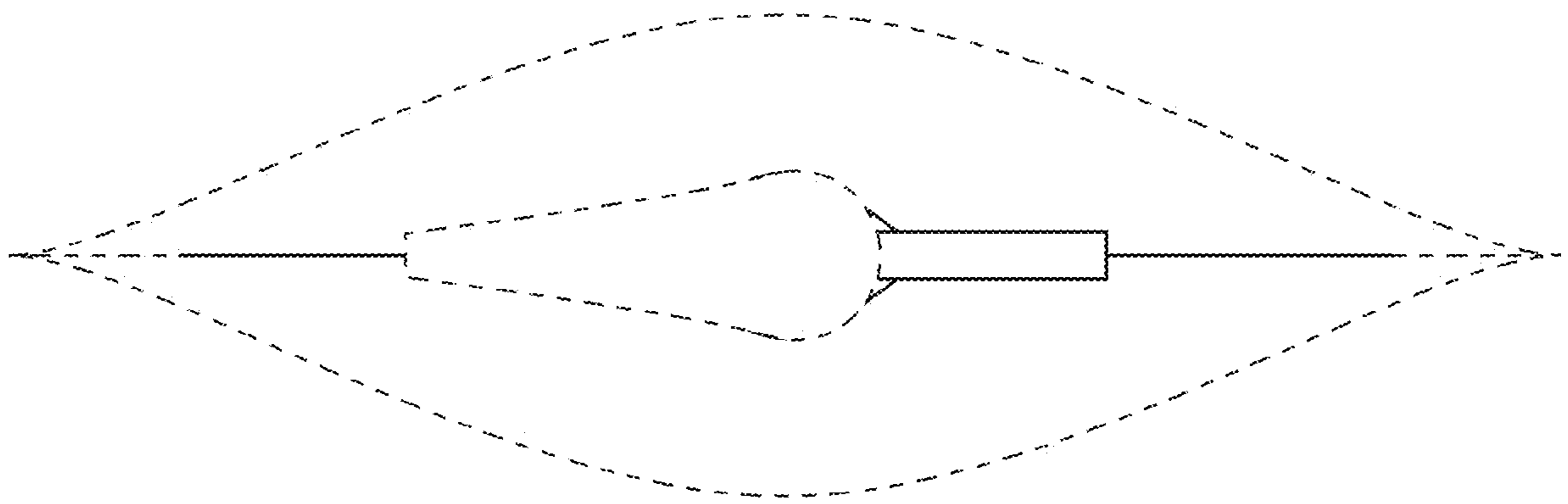


FIG. 14

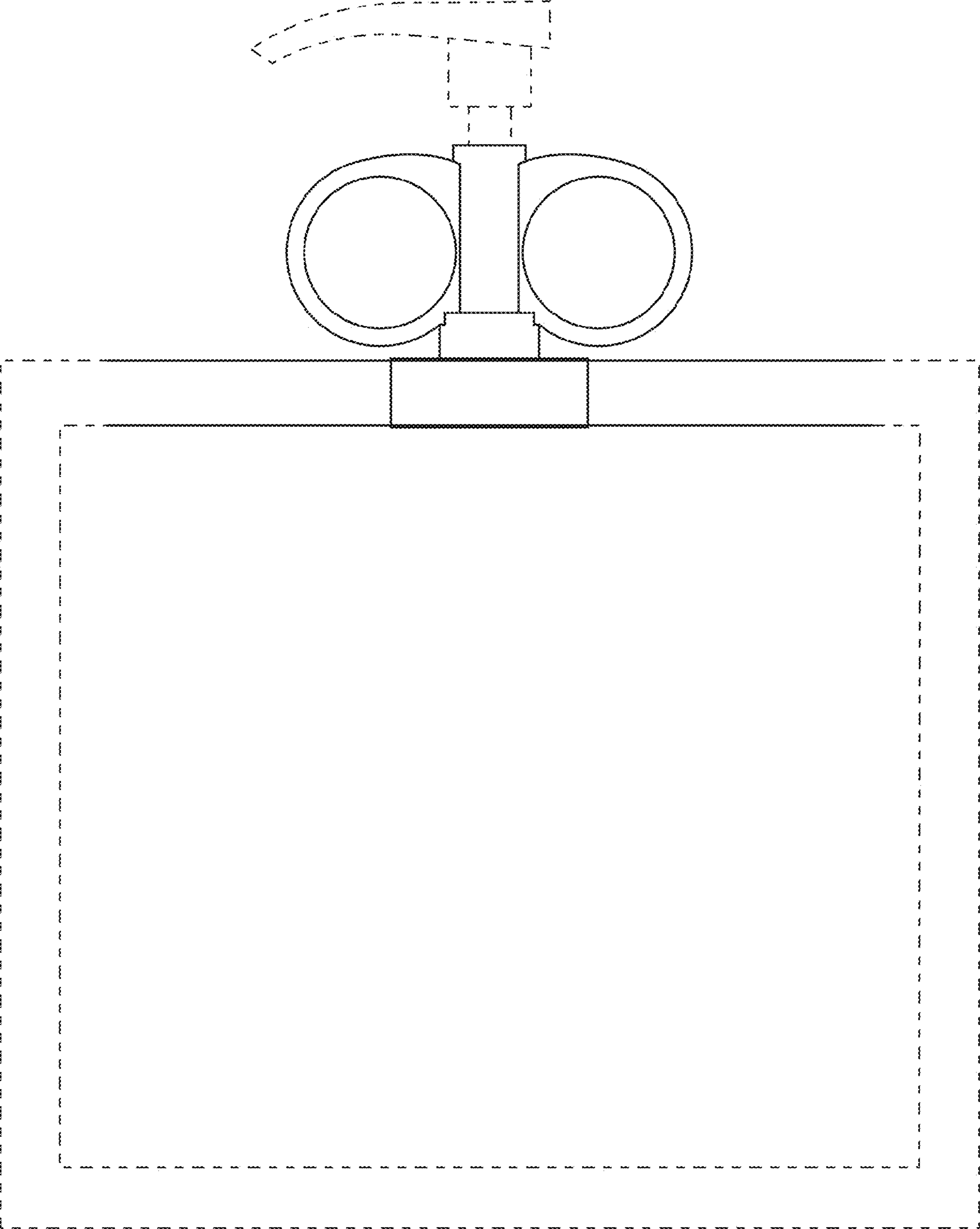


FIG. 15

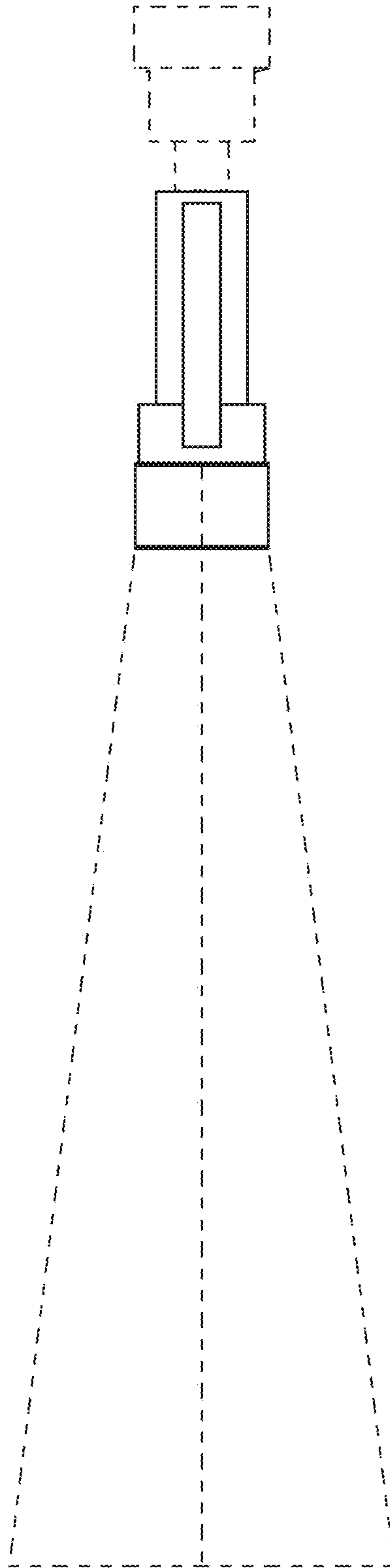


FIG. 16