



US00D910439S

(12) **United States Design Patent** (10) **Patent No.:** **US D910,439 S**  
**Kelly** (45) **Date of Patent:** **\*\* Feb. 16, 2021**

(54) **SLIDE-OUT GIFT CARD HOLDER BOX**

FOREIGN PATENT DOCUMENTS

(71) Applicant: **American Greetings Corporation,**  
Cleveland, OH (US)

GB 6078065 \* 11/2019  
GB 6078066 \* 11/2019

(72) Inventor: **Charles Robert Kelly,** Amherst, OH  
(US)

OTHER PUBLICATIONS

(73) Assignee: **American Greetings Corporation,**  
Cleveland, OH (US)

Last Minute Gift Idea: Give Happy! Announced [Dec. 20, 2018,  
online]. Site Visited [Nov. 13, 2020, online]. Available from Internet  
URL: <http://www.themagnoliamamas.com/2018/12/last-minute-gift-idea-give-happy.html> (Year: 2018).\*

(\*\*) Term: **15 Years**

(Continued)

(21) Appl. No.: **29/695,912**

*Primary Examiner* — Catherine S Posthauer

*Assistant Examiner* — Riah D Buchanan

(22) Filed: **Jun. 24, 2019**

(74) *Attorney, Agent, or Firm* — Christine Flanagan

(51) **LOC (13) Cl.** ..... **09-03**

(57) **CLAIM**

(52) **U.S. Cl.**

The ornamental design for a slide-out gift card holder box,  
as shown and described.

USPC ..... **D9/432**

(58) **Field of Classification Search**

**DESCRIPTION**

USPC .... D3/20, 207, 212, 230, 247; D9/414, 416,  
D9/420, 423, 432, 433, 456, 652, 711,  
D9/721; D19/1, 10, 106; D27/101, 172,  
D27/175, 186, 187, 189, 191, 193  
CPC .. B42D 15/045; B42D 15/022; B42D 15/027;  
B42D 15/042; A24F 13/14; A24F 9/16;  
A24F 15/00; A24F 15/12; A24F 15/14;  
A24F 15/18; A24F 15/005; A24F 15/20;  
A24F 23/00; A24F 23/04; A63H 3/18;  
B42F 7/02; B42F 7/06; B65D 5/56;  
B65D 5/66; B65D 5/64; B65D 5/541;  
B65D

FIG. 1 is a perspective view of a slide-out gift card holder  
box of the present invention, in a closed position.

FIG. 2 is a front view of the slide-out gift card holder box  
of FIG. 1.

FIG. 3 is a rear view of the slide-out gift card holder box of  
FIG. 1.

FIG. 4 is a top view of the slide-out gift card holder box of  
FIG. 1.

FIG. 5 is a left side view of the slide-out gift card holder box  
of FIG. 1.

FIG. 6 is a right side view of the slide-out gift card holder  
box of FIG. 1.

FIG. 7 is a perspective view of the slide-out gift card holder  
box of FIG. 1, in an open position; and,

FIG. 8 is a front view of the slide-out gift card holder box  
of FIG. 7.

The broken lines are for the purpose of illustrating the  
environment of the design only and form no part of the  
claimed design.

(Continued)

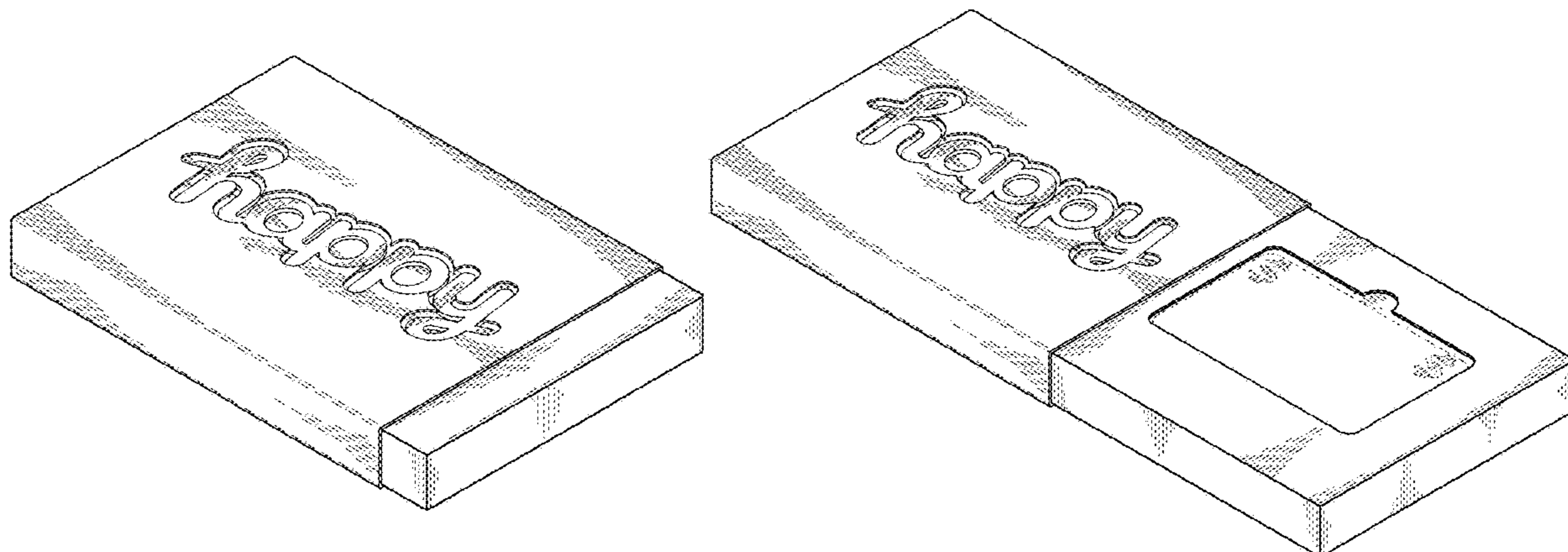
(56) **References Cited**

U.S. PATENT DOCUMENTS

6,491,211 B1 \* 12/2002 Evans ..... B65D 5/38  
206/532  
D594,742 S \* 6/2009 Meier ..... A45C 11/182  
D9/432

(Continued)

**1 Claim, 3 Drawing Sheets**



(58) **Field of Classification Search**  
 CPC .. 5/4204; B65D 5/4233; B65D 5/4258; B65D  
 5/5213; B65D 73/0007; B65D 73/0092;  
 B65D 85/1045; B65D 75/5838  
 See application file for complete search history.

(56) **References Cited**

U.S. PATENT DOCUMENTS

7,832,624	B2 *	11/2010	Kong .....	B65D 5/38 229/125.125
D657,817	S *	4/2012	Mayer .....	D19/1
8,322,058	B2 *	12/2012	Mayer .....	G09F 1/00 40/491
D747,190	S *	1/2016	DeLaGrange .....	D9/432
D748,978	S *	2/2016	Glass .....	D9/432
D806,532	S *	1/2018	Richmond .....	D9/420
D810,562	S *	2/2018	Augustyniak .....	D9/432
D831,108	S *	10/2018	Dennis .....	D19/1
D831,480	S *	10/2018	Arazi .....	D9/433
D843,827	S	3/2019	Nelson et al.	
D844,714	S *	4/2019	Witze .....	D21/480
D866,311	S *	11/2019	Ito .....	D9/416
D873,819	S *	1/2020	Harsacky .....	D14/348
D889,967	S *	7/2020	Glass .....	D9/456
D889,993	S *	7/2020	Lofrisco .....	D9/721
D899,247	S *	10/2020	Kilduff .....	D9/432
2005/0011802	A1 *	1/2005	Chan .....	B42D 15/045 206/525

2005/0089605	A1 *	4/2005	Siethoff .....	B42D 15/045 426/106
2007/0181458	A1 *	8/2007	Ehrlund .....	B65D 5/38 206/528
2008/0156686	A1 *	7/2008	Hluchan .....	A45C 11/24 206/528
2012/0067747	A1 *	3/2012	Van Geer .....	A45C 11/182 206/39
2013/0220088	A1	8/2013	Glass et al.	
2013/0220880	A1 *	8/2013	Glass .....	B65D 5/38 206/767
2014/0090995	A1	4/2014	Hahn et al.	
2014/0216982	A1 *	8/2014	Boyer .....	B42D 15/045 206/758
2014/0231278	A1	8/2014	Glass et al.	
2015/0203242	A1 *	7/2015	Magnusson .....	B65D 5/38 53/492
2015/0314950	A1 *	11/2015	Lopez .....	B42D 15/027 206/232
2018/0072086	A1	3/2018	Mayer et al.	

OTHER PUBLICATIONS

Word Mark, "Happy". Site Visited [Nov. 13, 2020, online]. Available from Internet URL: <http://tmsearch.uspto.gov/bin/showfield?f=doc&state=4801:I6119p.9.1> (Year: 2018).\*

\* cited by examiner

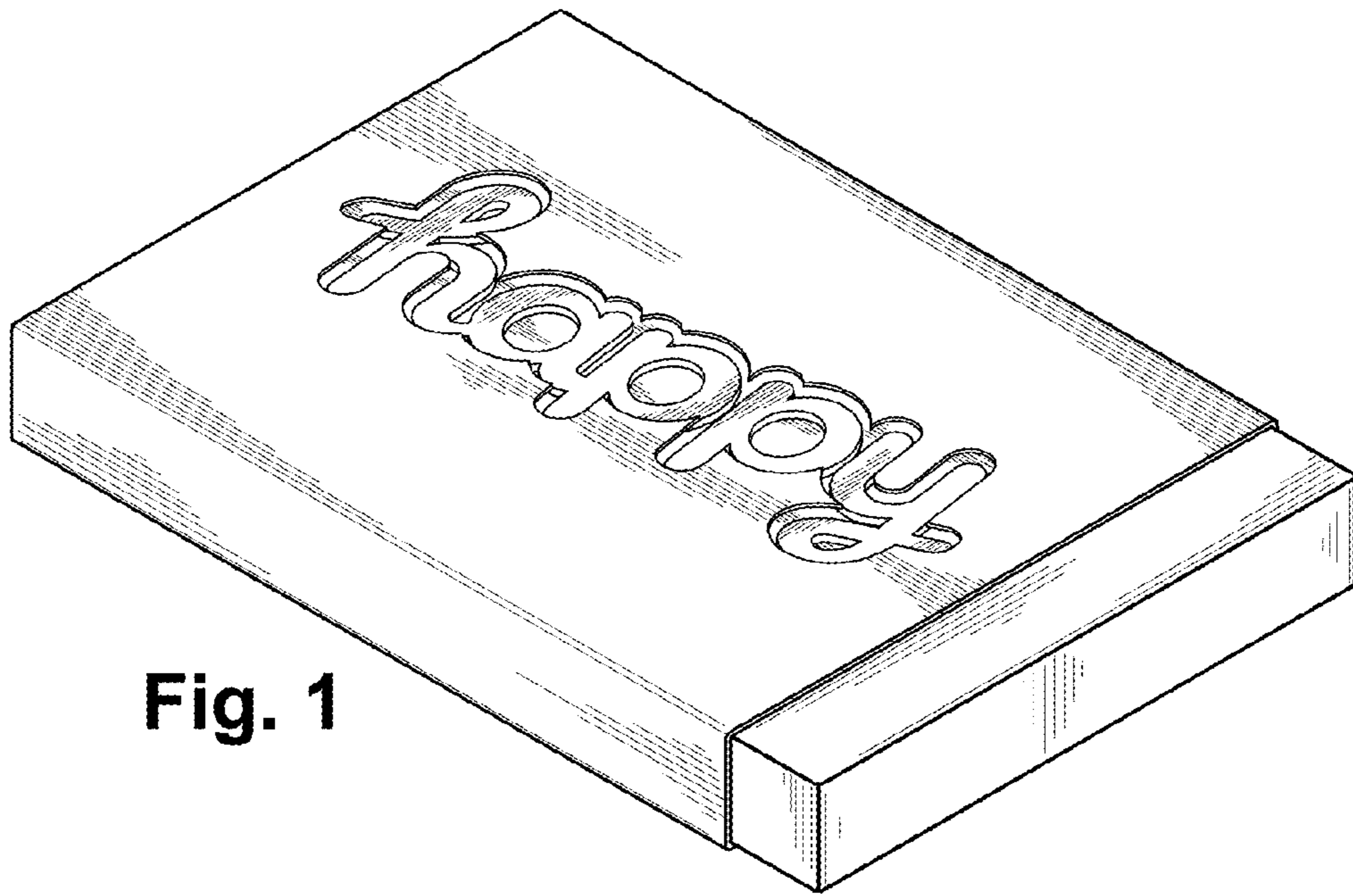


Fig. 1

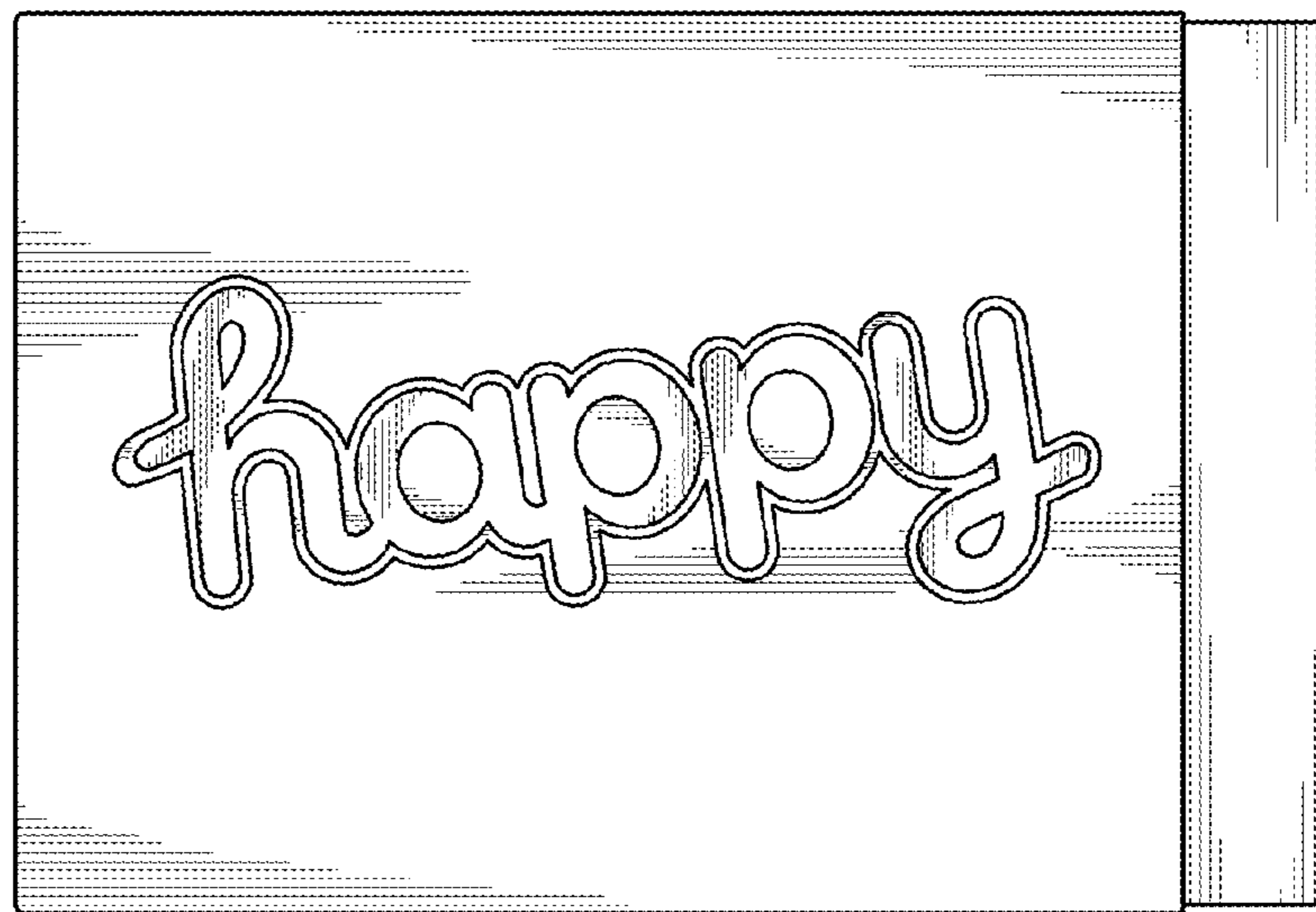


Fig. 2

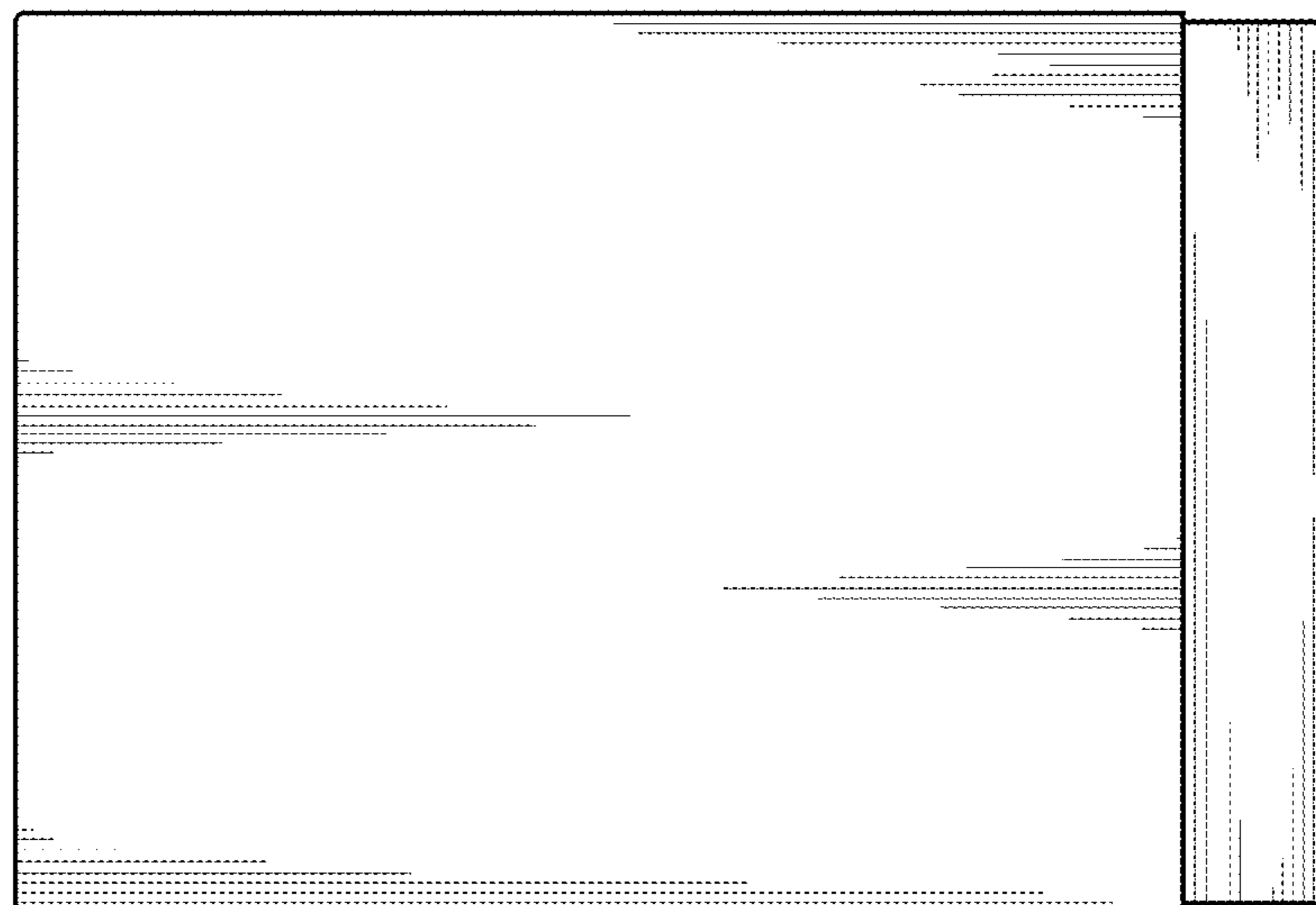
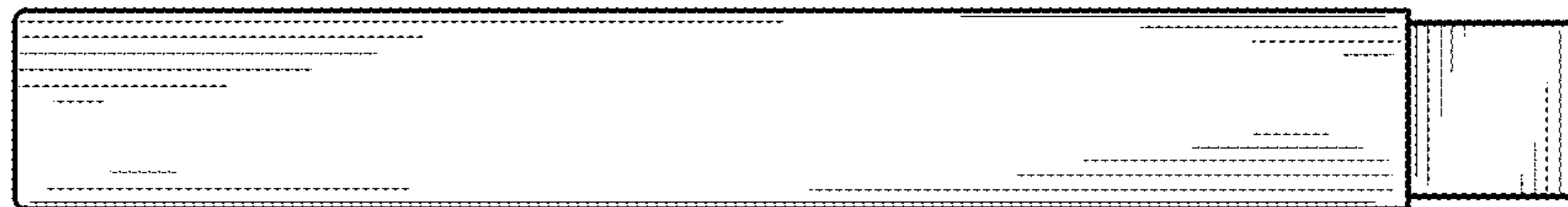


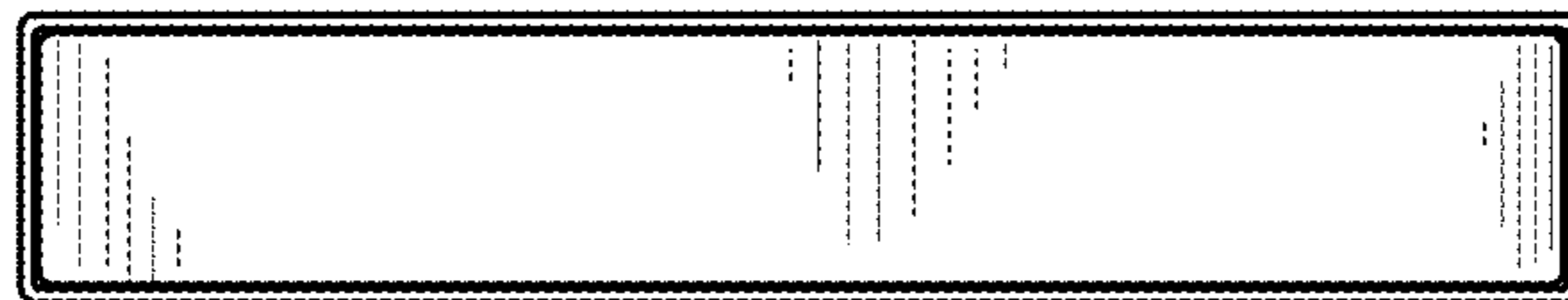
Fig. 3



**Fig. 4**



**Fig. 5**



**Fig. 6**

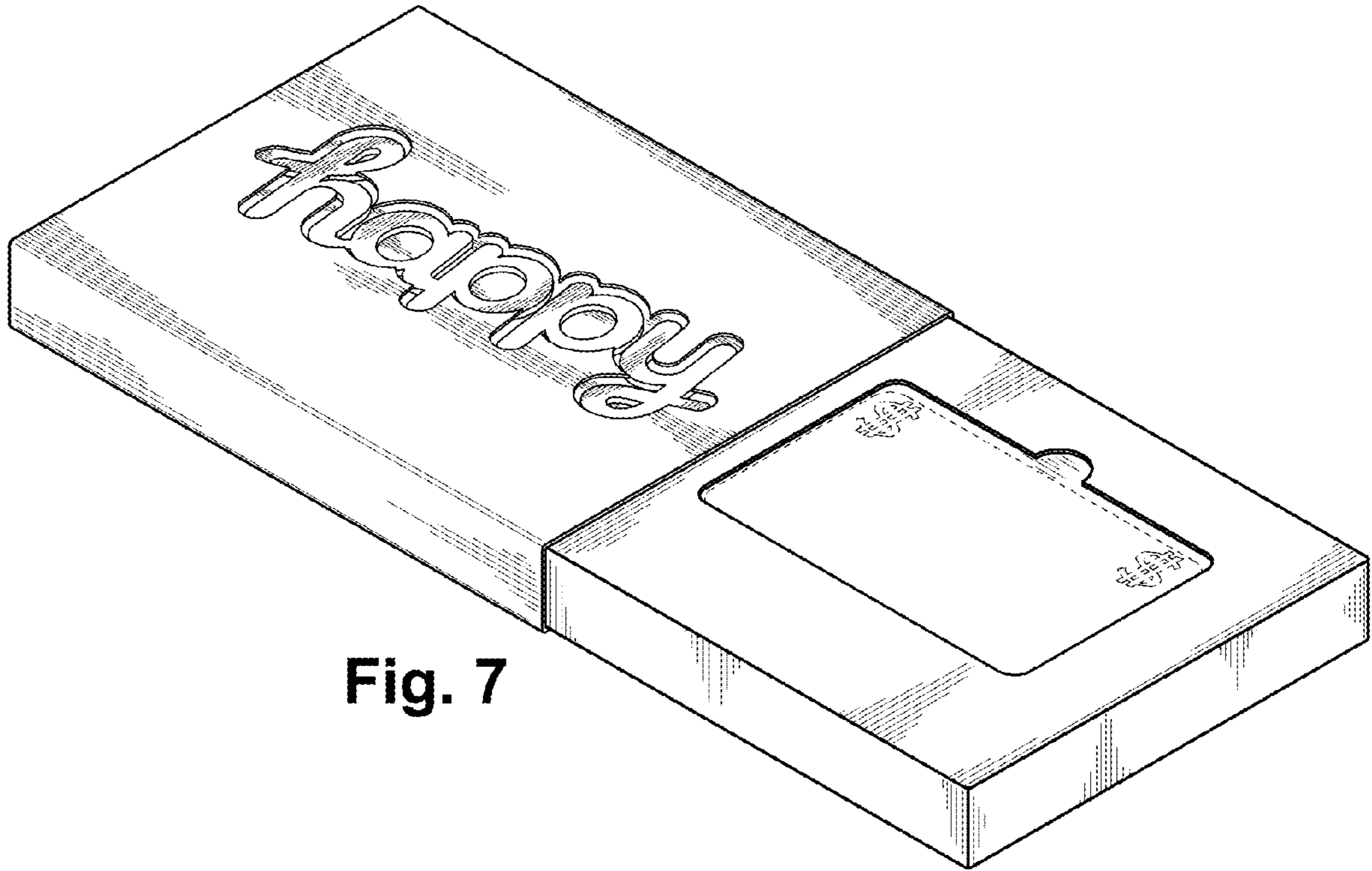


Fig. 7

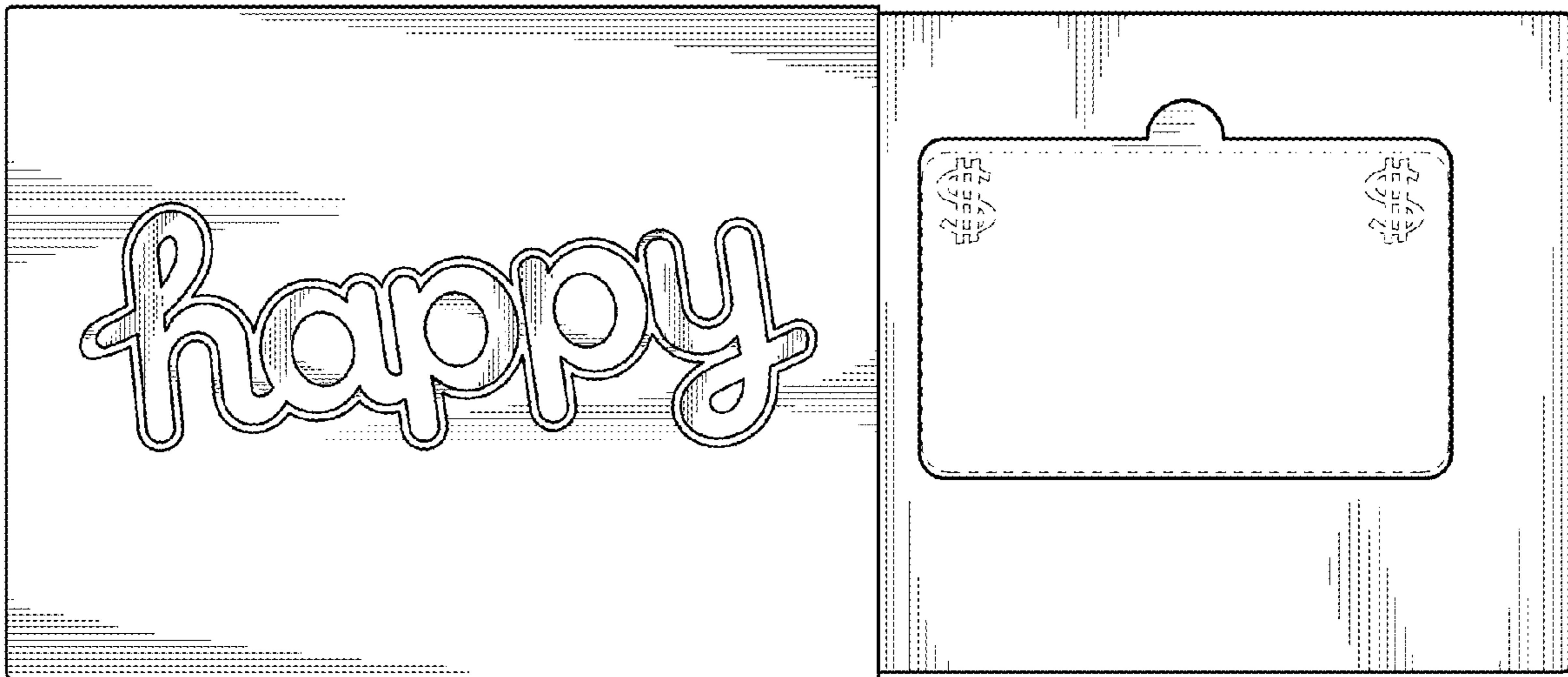


Fig. 8