



US00D910437S

(12) **United States Design Patent**
Krueger et al.

(10) **Patent No.:** **US D910,437 S**

(45) **Date of Patent:** **** Feb. 16, 2021**

(54) **PLASTIC FOOD CONTAINER**

(71) Applicant: **Anchor Packaging, LLC**, St. Louis, MO (US)

(72) Inventors: **Kevin Krueger**, Fenton, MO (US);
Mike Pohlman, Valley Park, MO (US)

(73) Assignee: **Anchor Packaging, LLC**, St. Louis, MO (US)

(**) Term: **15 Years**

(21) Appl. No.: **29/694,618**

(22) Filed: **Jun. 12, 2019**

(51) **LOC (13) Cl.** **09-03**

(52) **U.S. Cl.**
USPC **D9/425**

(58) **Field of Classification Search**
USPC D7/400, 601, 608; D9/416, 417, 420,
D9/425-429, 430, 432, 761; 206/499,
(Continued)

(56) **References Cited**

U.S. PATENT DOCUMENTS

1,800,846 A 4/1931 Slagel
2,633,284 A 3/1953 McFarland et al.
(Continued)

FOREIGN PATENT DOCUMENTS

CN 305118231 8/2018
EM 00212113-0001 7/2004
(Continued)

OTHER PUBLICATIONS

Co-pending U.S. Appl. No. 29/633,905, filed Jan. 17, 2018.
(Continued)

(74) *Attorney, Agent, or Firm* — Don V. Kelly; Evans & Dixon, L.L.C.

(57) **CLAIM**

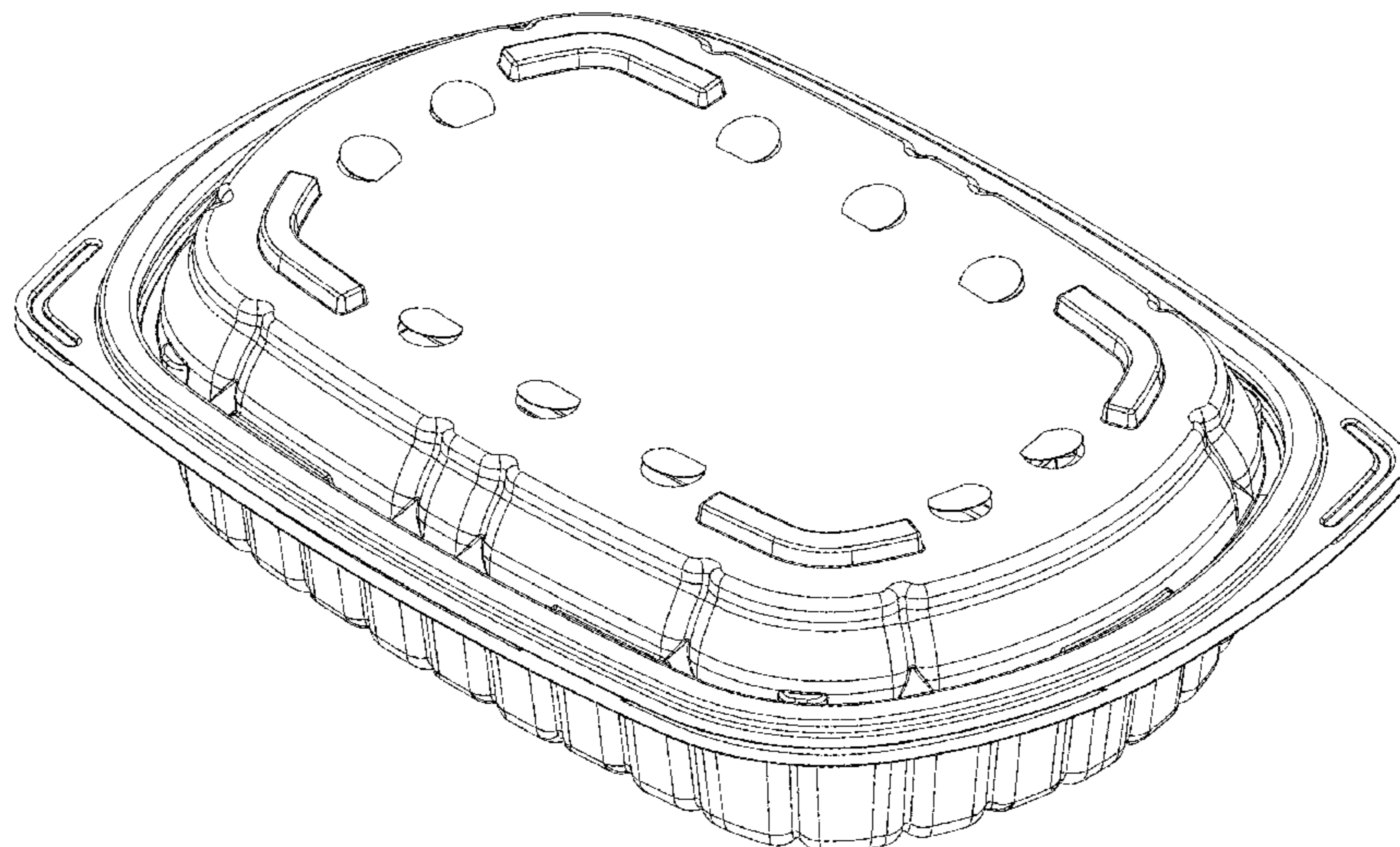
The ornamental design for a plastic food container, as shown and described.

DESCRIPTION

FIG. 1 is a top, front perspective view of a plastic food container, showing our new design;
FIG. 2 is a front elevation view thereof;
FIG. 3 is a rear elevation view thereof;
FIG. 4 is a left side elevation view thereof;
FIG. 5 is a right side elevation view thereof;
FIG. 6 is a top plan view thereof;
FIG. 7 is a bottom plan view thereof;
FIG. 8 is an exploded top, front perspective view thereof;
FIG. 9 is a front elevation view thereof, shown without the base for ease of illustration;
FIG. 10 is a rear elevation view thereof, shown without the base for ease of illustration;
FIG. 11 is a left side elevation view thereof, shown without the base for ease of illustration;
FIG. 12 is a right side elevation view thereof, shown without the base for ease of illustration;
FIG. 13 is a top plan view thereof, shown without the base for ease of illustration;
FIG. 14 is a bottom plan view thereof, shown without the base for ease of illustration;
FIG. 15 is a front elevation view thereof, shown without the lid for ease of illustration;
FIG. 16 is a rear elevation view thereof, shown without the lid for ease of illustration;
FIG. 17 is a left side elevation view thereof, shown without the lid for ease of illustration;
FIG. 18 is a right side elevation view thereof, shown without the lid for ease of illustration;
FIG. 19 is a top plan view thereof, shown without the lid for ease of illustration; and,
FIG. 20 is a bottom plan view thereof, shown without the lid for ease of illustration.

Primary Examiner — Janice Patyk

1 Claim, 20 Drawing Sheets



(58) **Field of Classification Search**

USPC 206/501, 502, 821; 220/625, 656, 669,
220/670, 674; 229/123.1, 123.2, 125.33,
229/125.35, 400-407, 915, 939
CPC . B65D 1/26; B65D 1/40; B65D 5/243; B65D
81/3453; B65D 2581/34; B65D
2581/3404; B65D 2581/3456
See application file for complete search history.

D640,129 S * 6/2011 Sifuentes D9/425
D645,711 S 9/2011 Sudia
D663,615 S * 7/2012 Liang D9/425
D670,178 S 11/2012 Carson
D683,178 S 5/2013 Su
D692,751 S * 11/2013 Mastronardi D9/427
D699,106 S 2/2014 Glaser
8,770,431 B1 7/2014 Glaser
D731,263 S 6/2015 Zila
D789,798 S 6/2017 Haddad
D806,575 S 1/2018 Collins
D815,941 S 4/2018 Haddad
D817,696 S 5/2018 Mirchandani
2003/0062365 A1 4/2003 Krueger
2003/0152670 A1 8/2003 Shih
2007/0196541 A1 8/2007 Vovan
2007/0241110 A1 10/2007 Belleggi
2009/0057381 A1 3/2009 Gokhale
2009/0206090 A1 8/2009 Hanson
2010/0122930 A1 5/2010 Mance
2010/0320210 A1 12/2010 Cimmerer
2013/0175269 A1 7/2013 Chen
2013/0175284 A1 7/2013 Chen
2014/0183190 A1 7/2014 Tyberghein
2016/0016690 A1 1/2016 Lam
2018/0297742 A1 10/2018 Dube

(56) **References Cited**

U.S. PATENT DOCUMENTS

D251,895 S 5/1979 Belmuth
4,372,526 A 2/1983 Daenen
D288,698 S 3/1987 Finnamore
4,784,267 A 11/1988 Gessler et al.
5,065,889 A 11/1991 Conti
5,076,459 A 12/1991 DeHart
D336,216 S 6/1993 Rohrbeck
D346,934 S 5/1994 Littlejohn
D349,847 S 8/1994 Avins
D352,204 S 11/1994 Hayes
D363,879 S * 11/1995 Krupa D9/423
D371,940 S 7/1996 Krupa
D380,381 S * 7/1997 Krupa D9/425
5,947,321 A 9/1999 Vadney
6,074,676 A 6/2000 Cadiente et al.
D440,490 S 4/2001 Lizzio
6,257,401 B1 7/2001 Mangla et al.
6,257,434 B1 7/2001 Lizzio
D473,137 S * 4/2003 Cadiente B65D 43/162
D9/423
D473,791 S 4/2003 Loris
D494,463 S 8/2004 Tsao
6,845,878 B2 1/2005 Hayes et al.
6,962,263 B2 11/2005 Cadiente et al.
D563,095 S 3/2008 Sabbag
D569,243 S * 5/2008 Kidd D9/425
D579,326 S * 10/2008 Chen D9/425
7,441,672 B2 10/2008 Cadiente et al.
7,472,799 B2 1/2009 Cadiente et al.
D598,714 S 8/2009 Aagaard
D616,698 S 6/2010 Lion
D621,650 S 8/2010 DeLeo
D625,180 S 10/2010 Enriquez
D628,471 S 12/2010 Golota
D628,472 S * 12/2010 Strange D9/425
D632,561 S * 2/2011 Short D9/427
7,900,793 B2 3/2011 Hanson et al.

FOREIGN PATENT DOCUMENTS

EM 005580537-0001 8/2018
EM 005580537-0002 8/2018
EM 005580537-0003 8/2018
EM 005606860-0001 8/2018
EM 305040743 2/2019
EM 003046416-0001 3/2019
TW 470068 12/2001

OTHER PUBLICATIONS

Co-pending U.S. Appl. No. 29/637,021, filed Feb. 13, 2018.
Co-pending U.S. Appl. No. 29/692,808, filed May 29, 2019.
Co-pending U.S. Appl. No. 29/695,418, filed Jun. 19, 2019.
Co-pending U.S. Appl. No. 29/692,900, filed May 29, 2019.
Co-pending U.S. Appl. No. 29/692,818, filed May 29, 2019.
Co-pending U.S. Appl. No. 29/694,673, filed Jun. 12, 2019.
Co-pending U.S. Appl. No. 29/693,230, filed May 31, 2019.
Co-pending U.S. Appl. No. 29/693,235, filed May 31, 2019.
Co-pending U.S. Appl. No. 29/693,258, filed May 31, 2019.

* cited by examiner

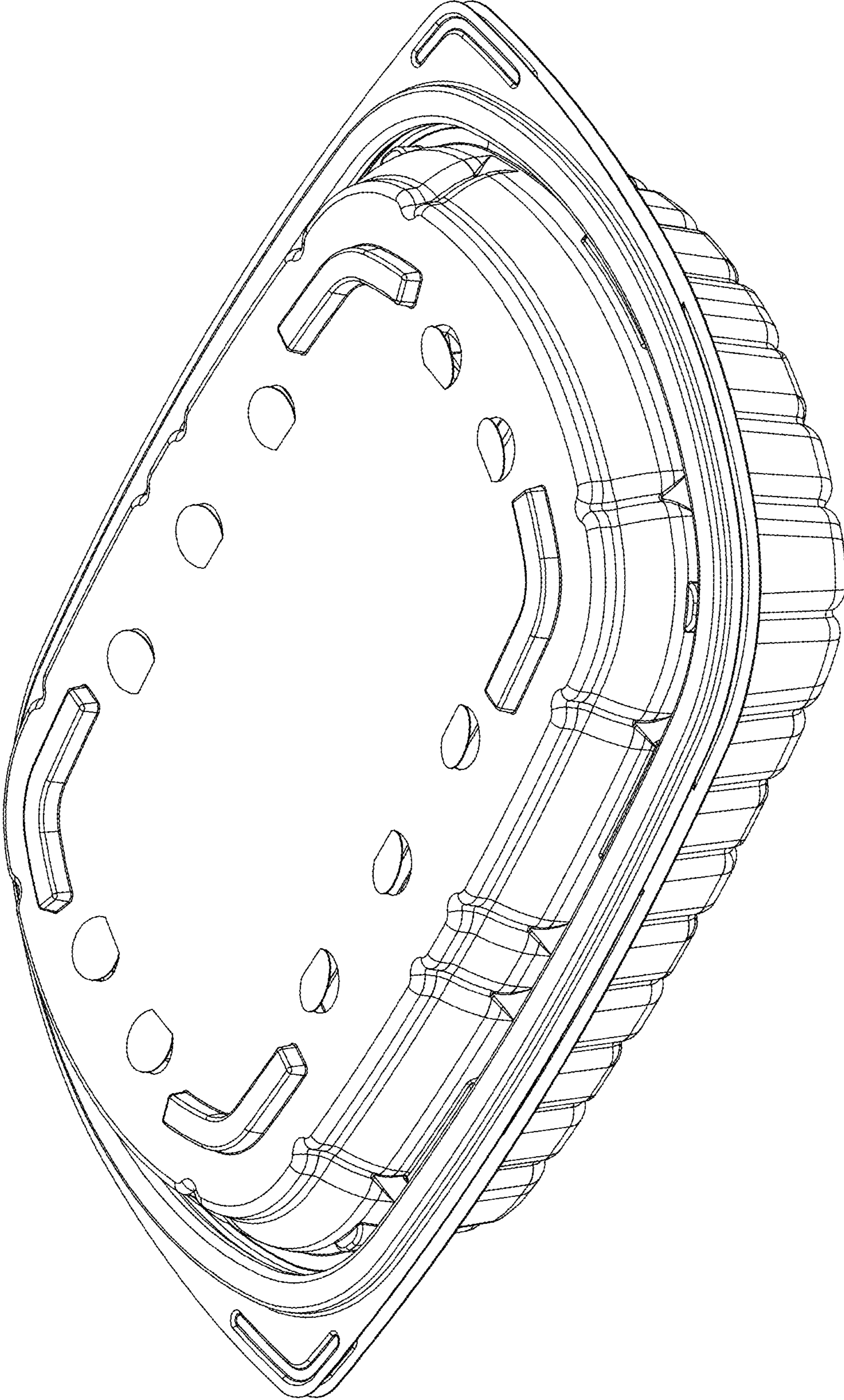


FIGURE 1

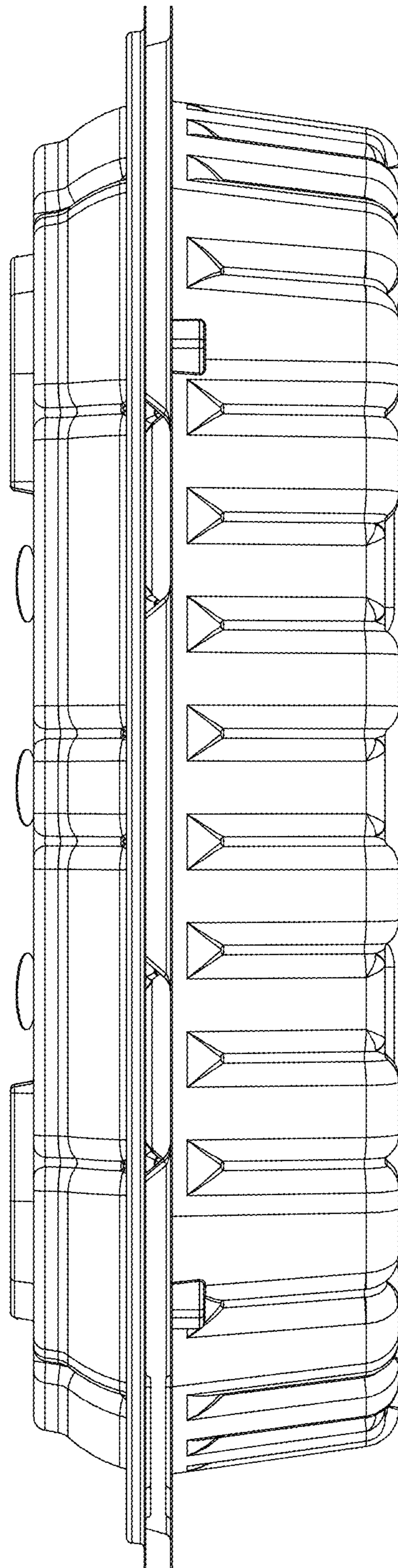


FIGURE 2

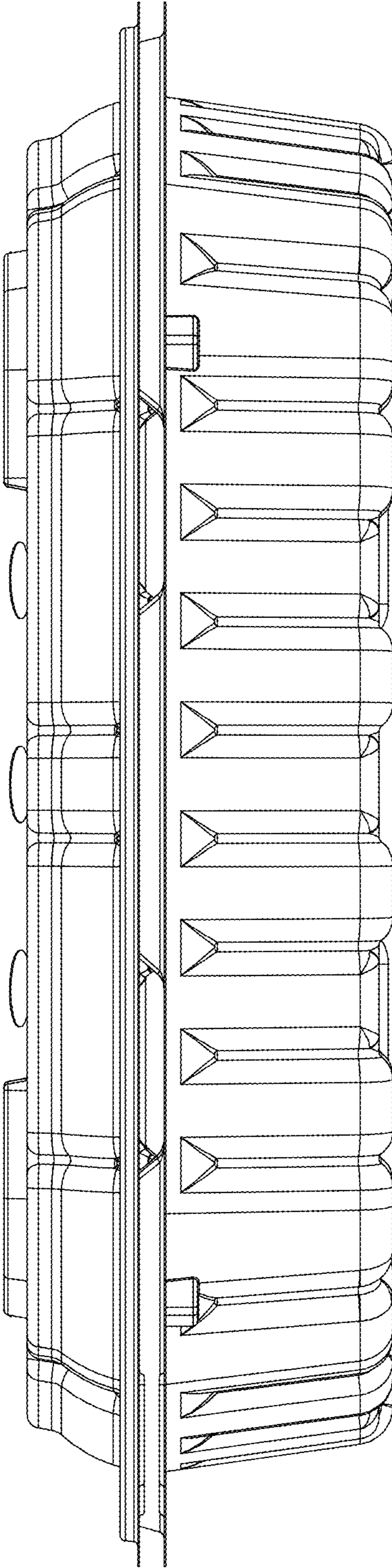


FIGURE 3

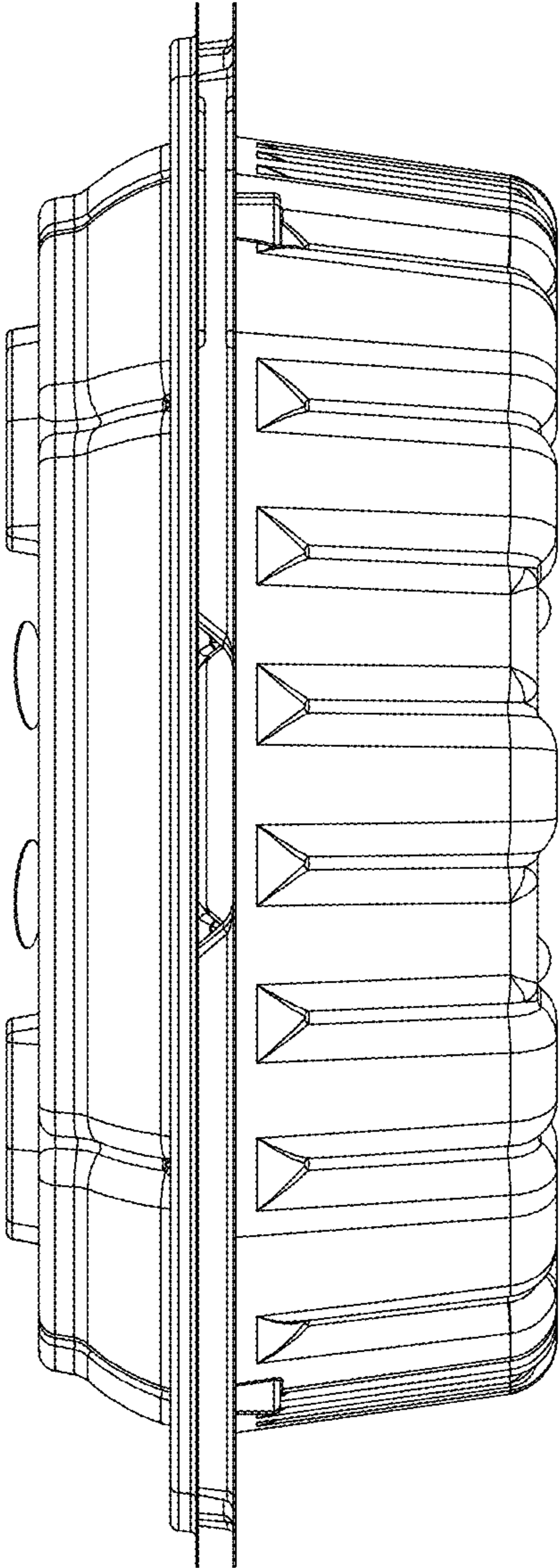


FIGURE 4

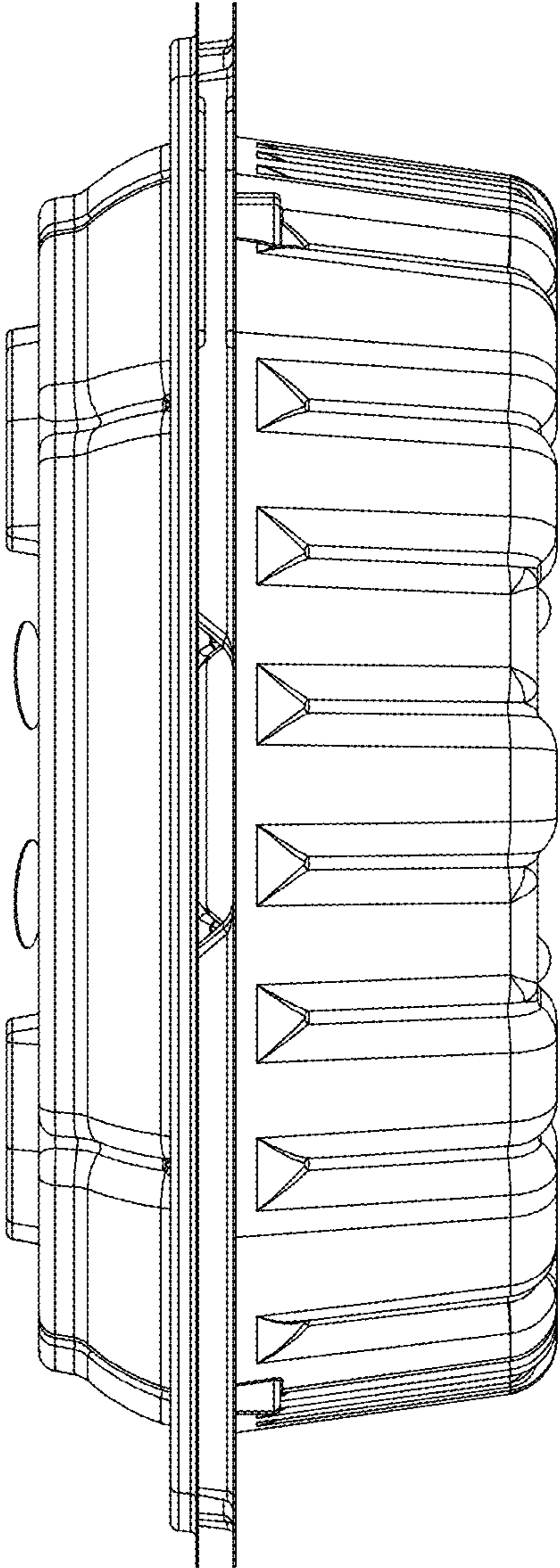


FIGURE 5

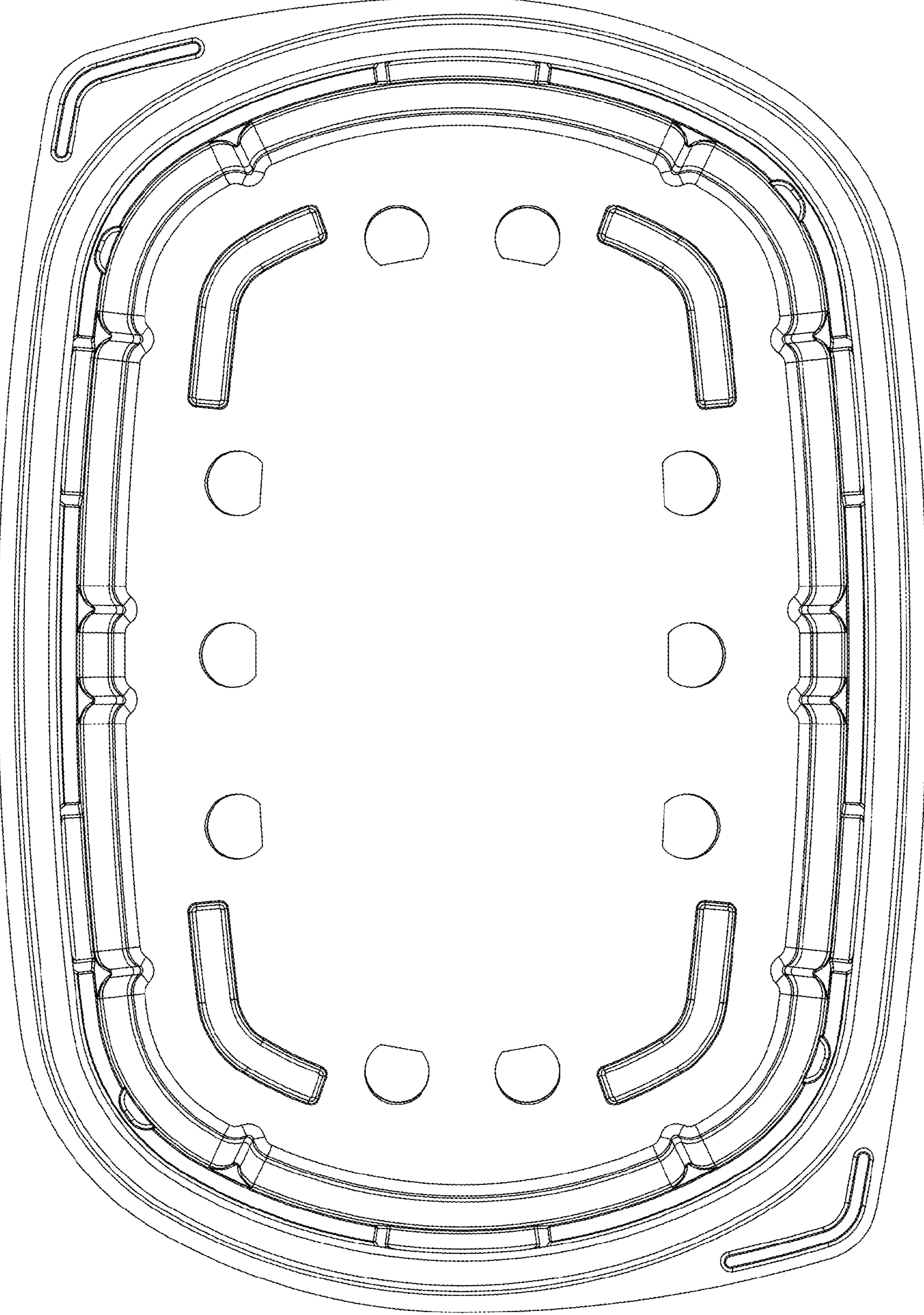


FIGURE 6

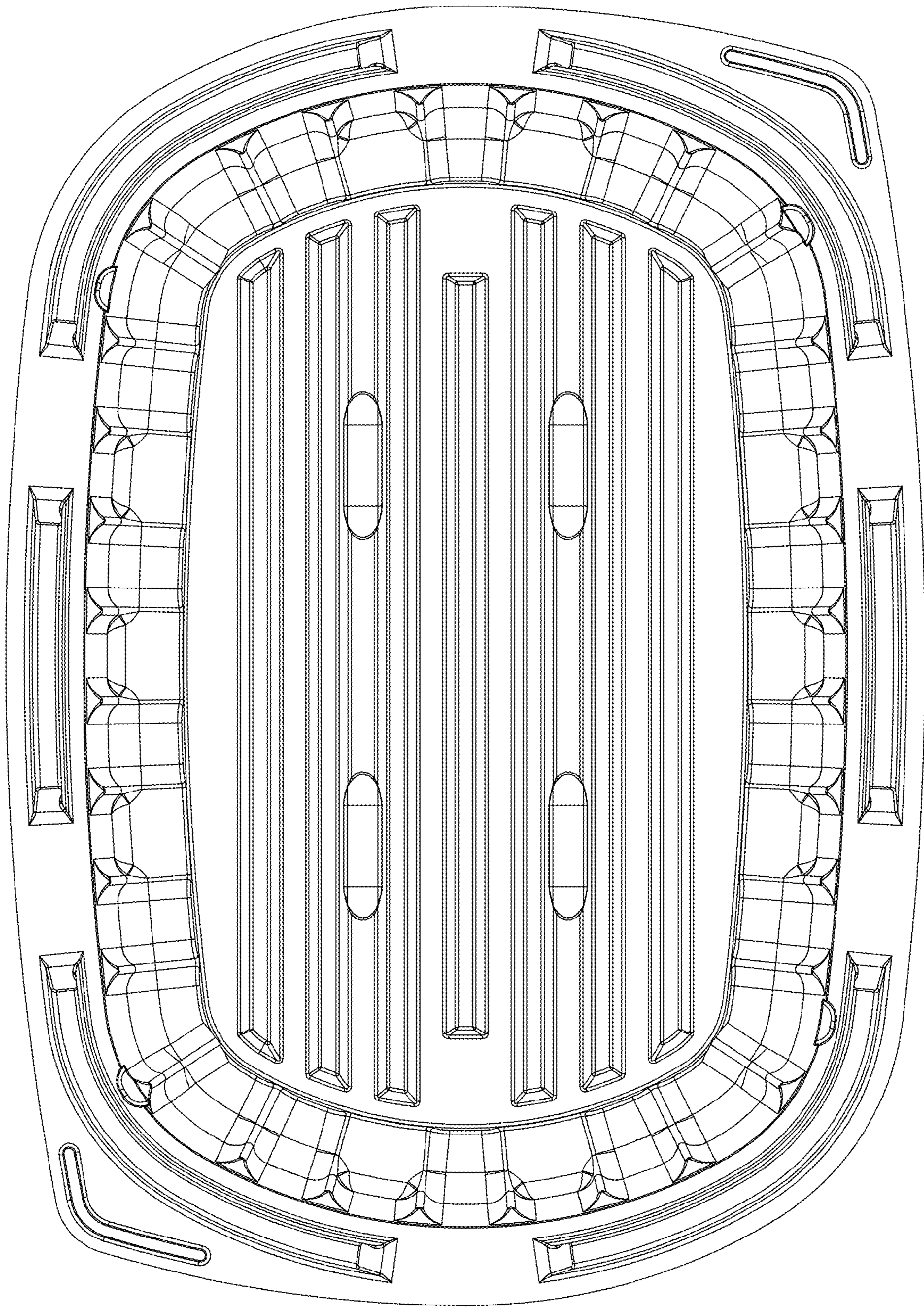


FIGURE 7

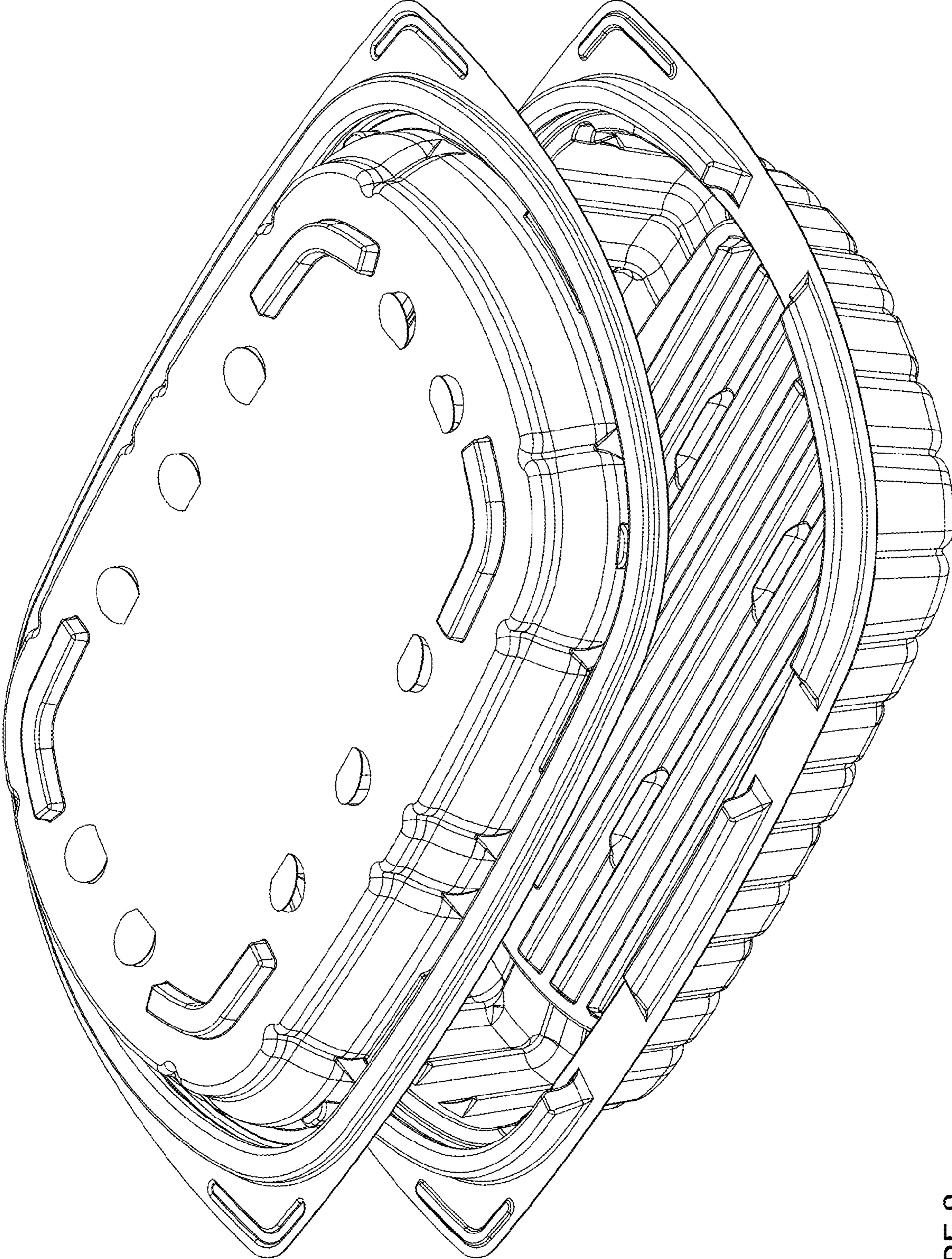


FIGURE 8

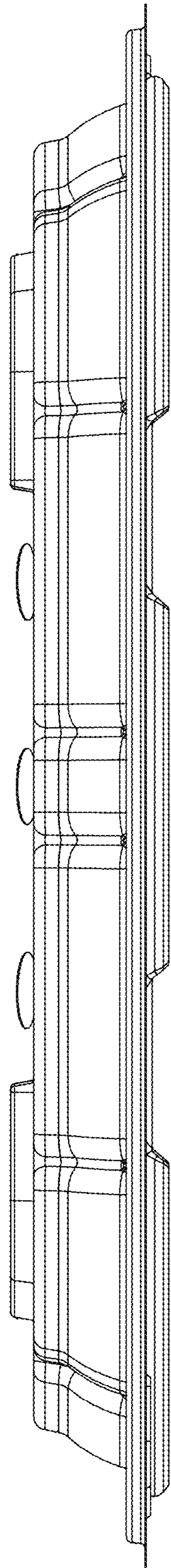


FIGURE 9

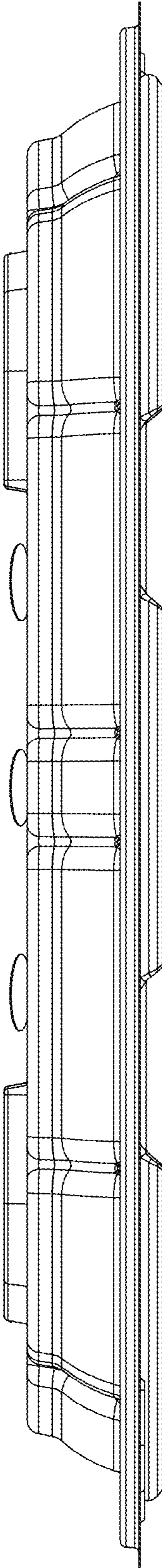


FIGURE 10

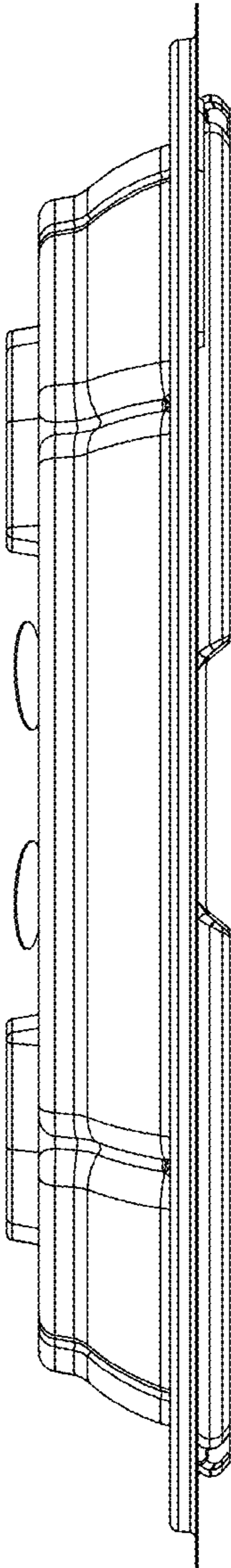


FIGURE 11

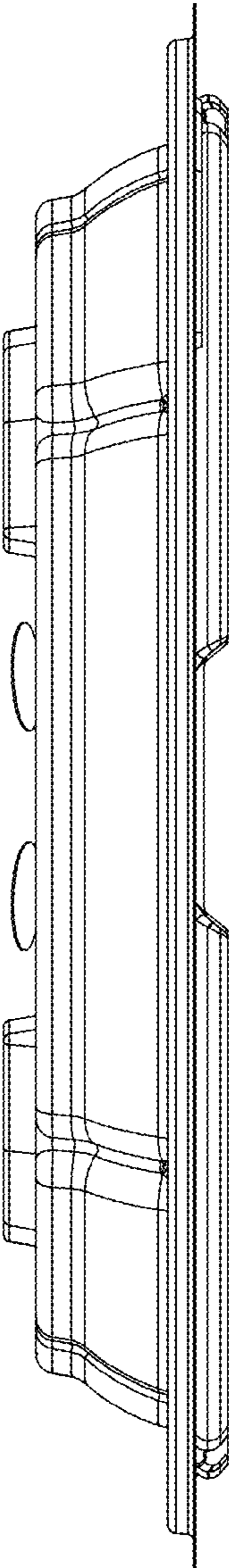


FIGURE 12

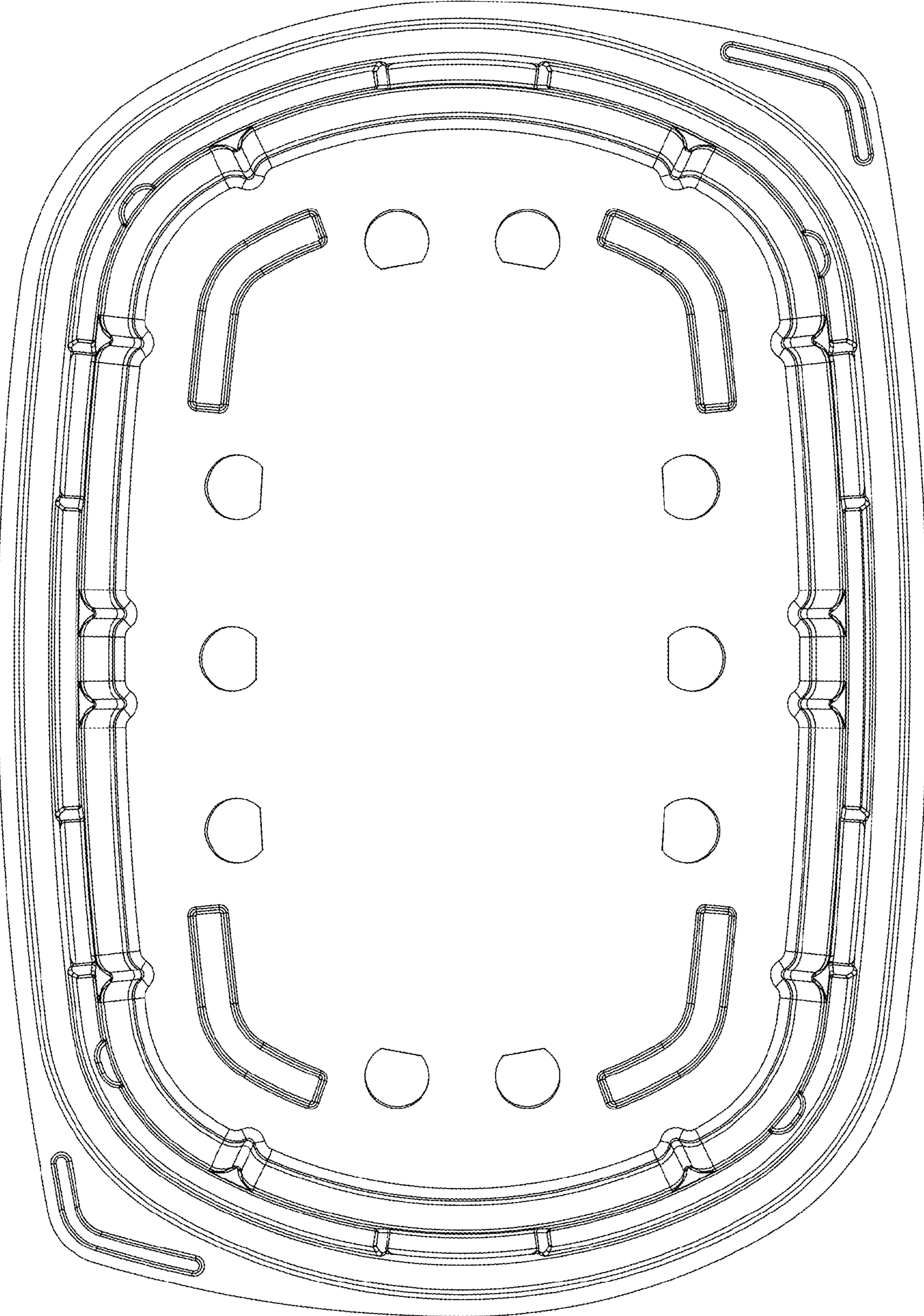


FIGURE 13

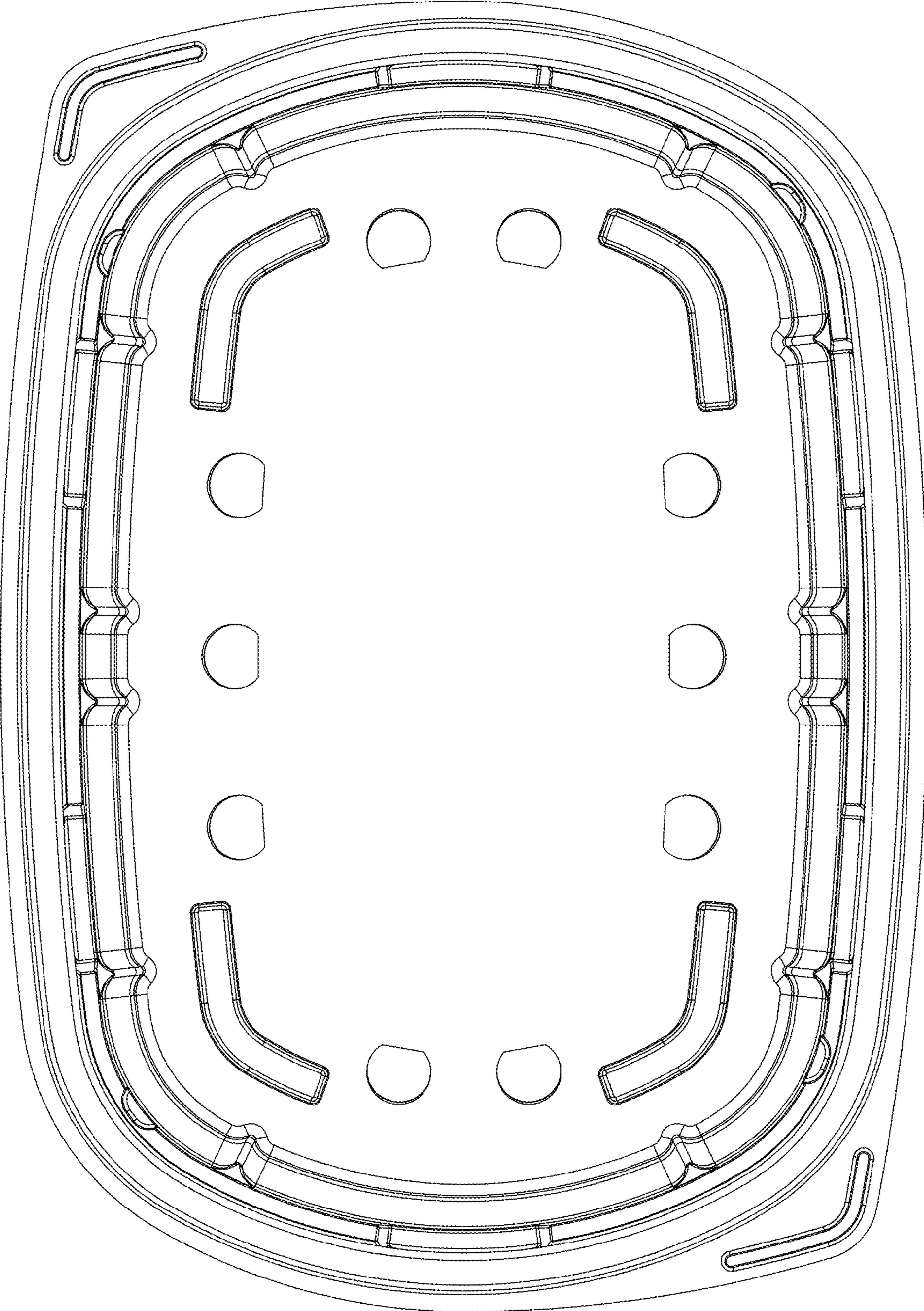


FIGURE 14

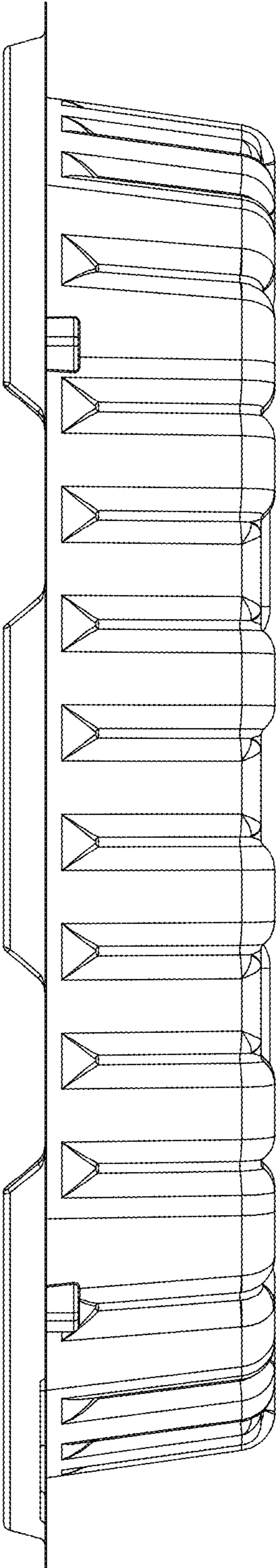


FIGURE 15

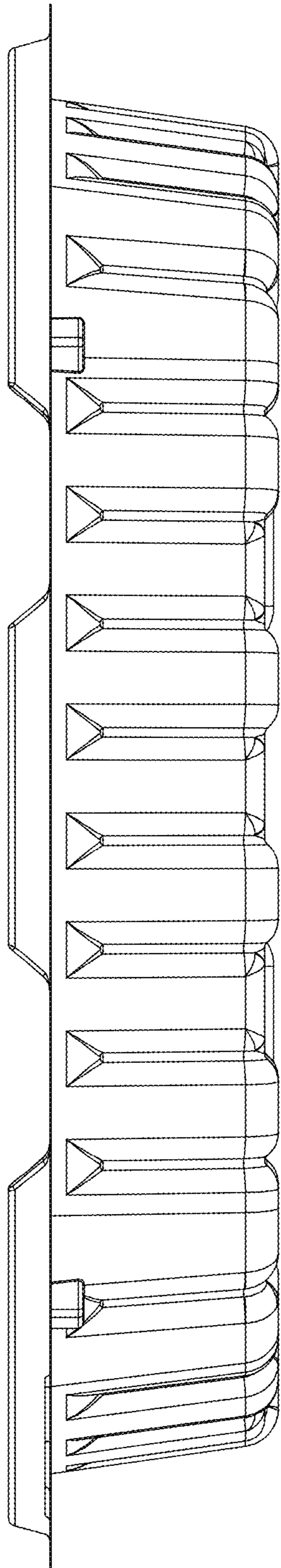


FIGURE 16

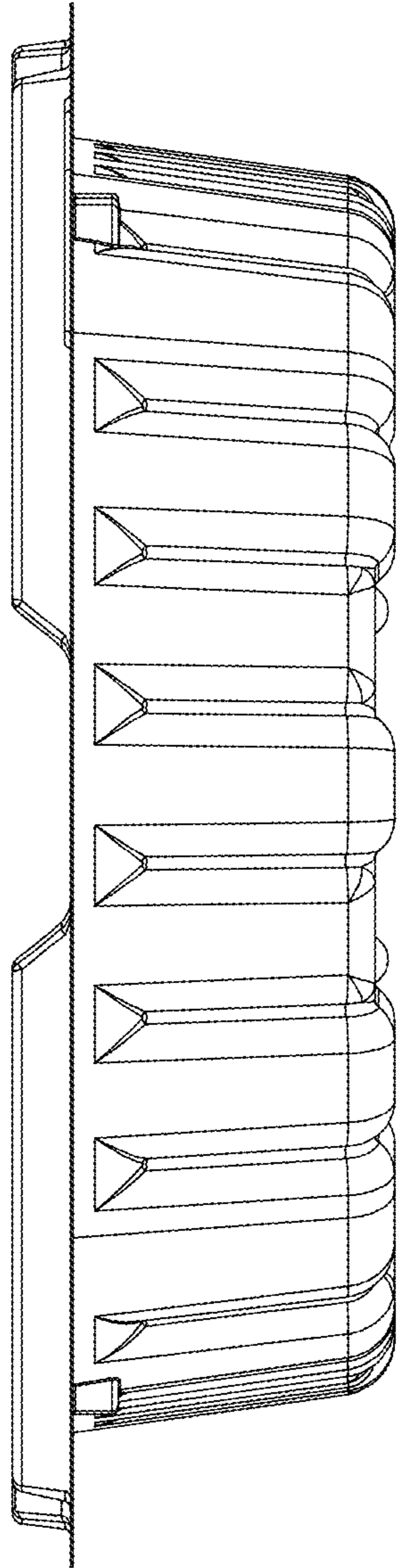


FIGURE 17

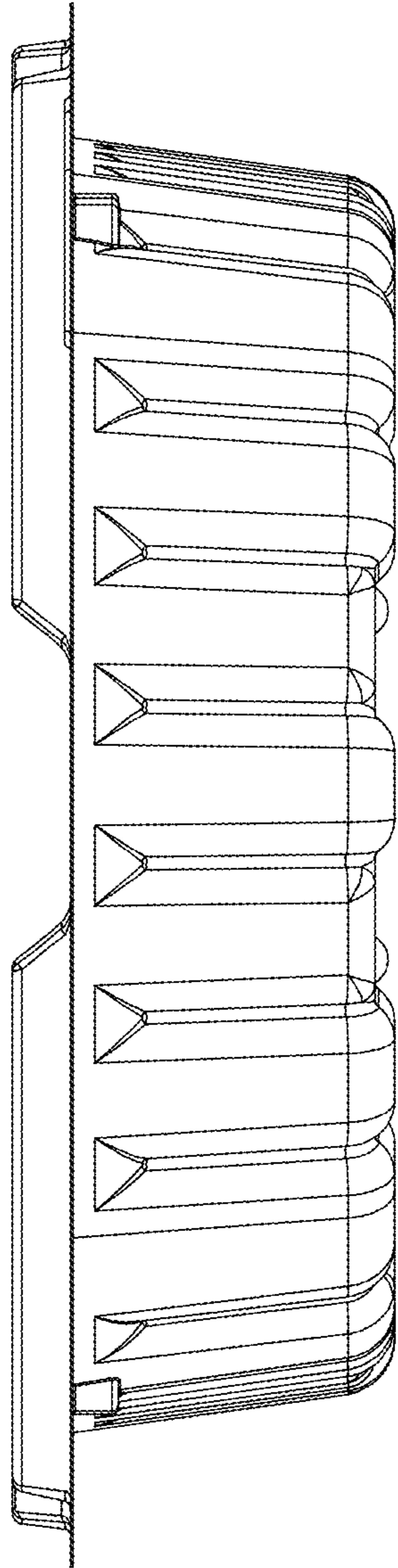


FIGURE 18

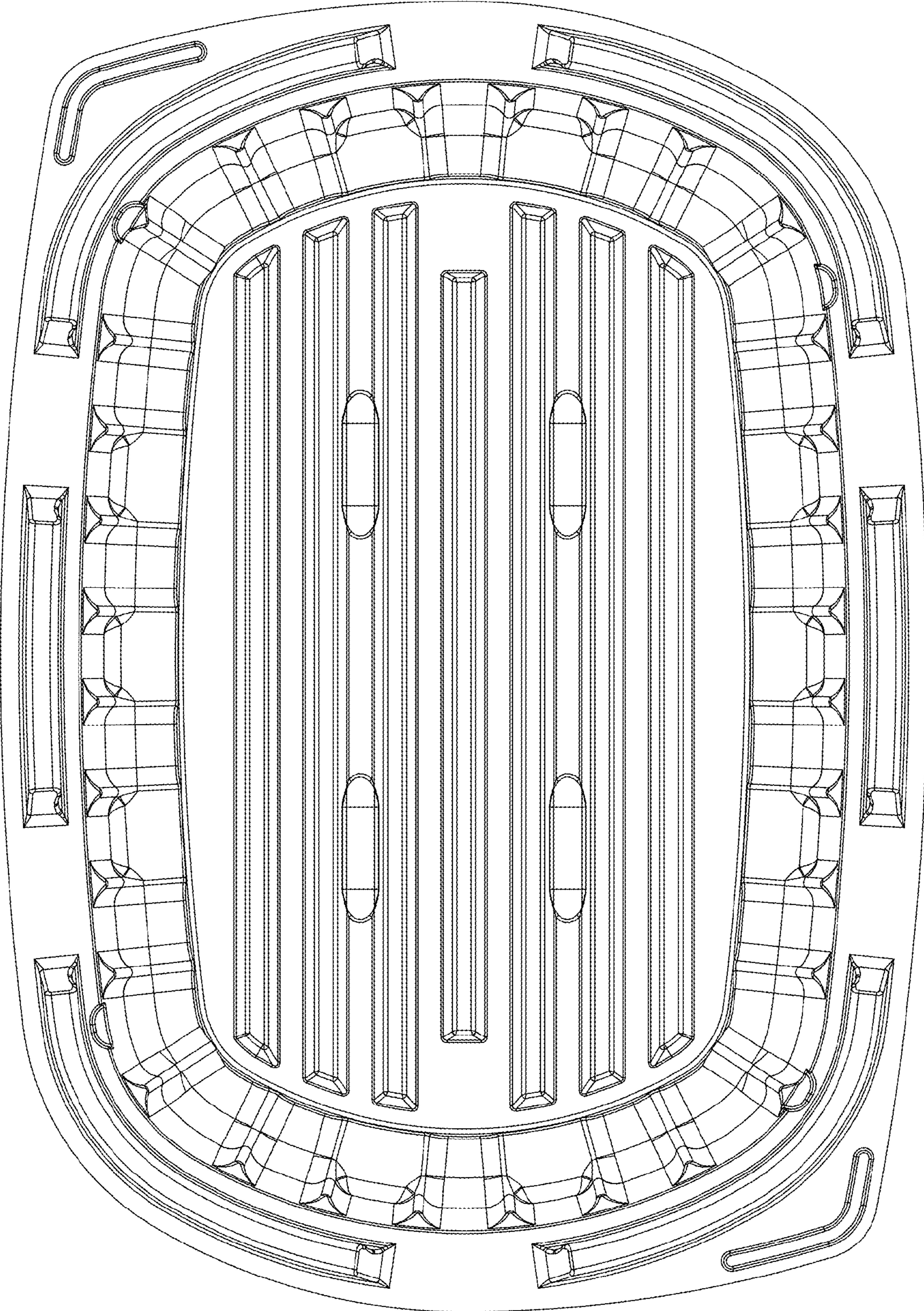


FIGURE 19

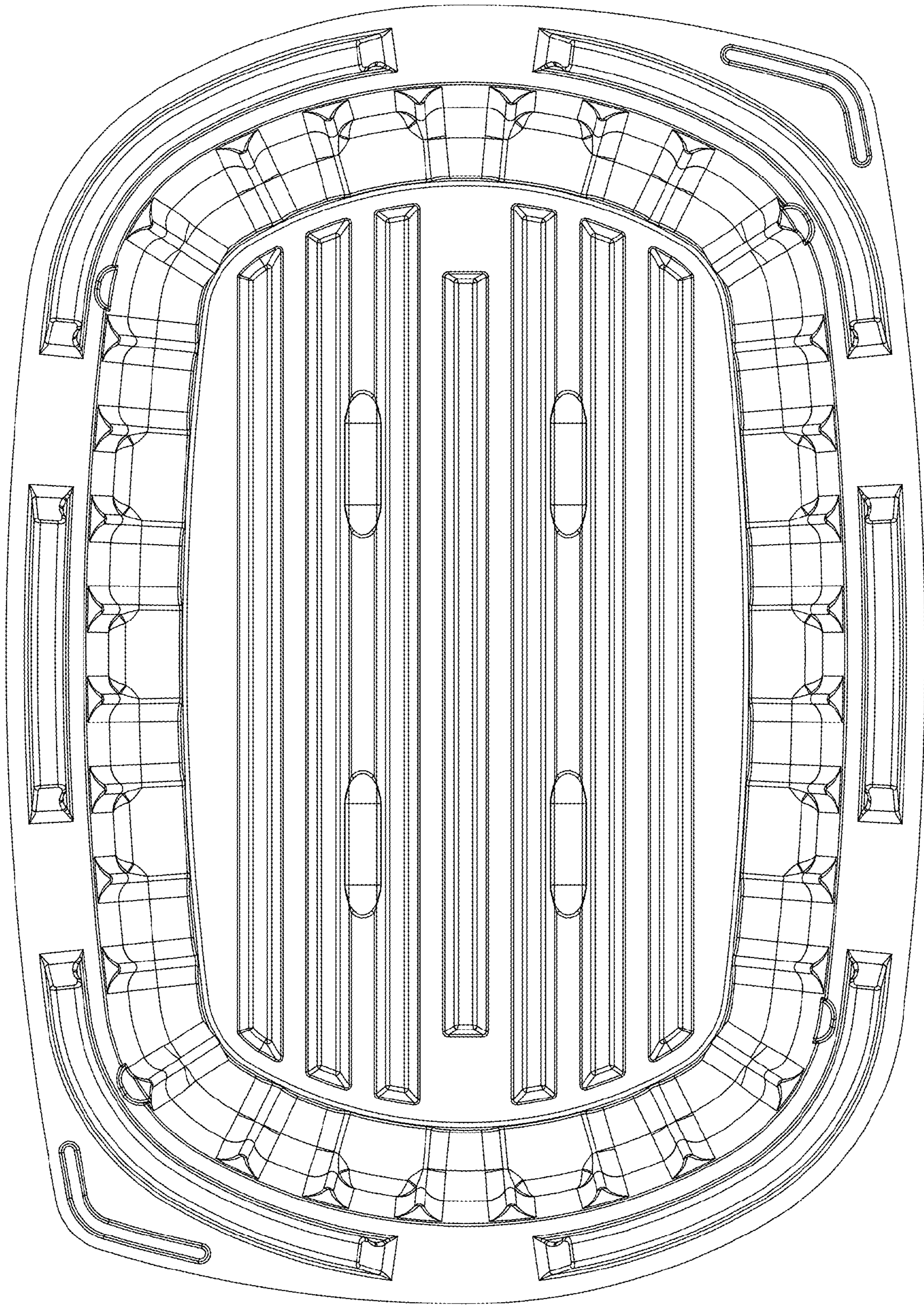


FIGURE 20