



US00D910436S

(12) **United States Design Patent** (10) **Patent No.:** **US D910,436 S**
Krueger et al. (45) **Date of Patent:** **** Feb. 16, 2021**

(54) **PLASTIC FOOD CONTAINER**
(71) Applicant: **Anchor Packaging, LLC**, St. Louis, MO (US)
(72) Inventors: **Kevin Krueger**, Fenton, MO (US); **Mike Pohlman**, Valley Park, MO (US)
(73) Assignee: **Anchor Packaging, LLC**, St. Louis, MO (US)
(**) Term: **15 Years**
(21) Appl. No.: **29/693,235**
(22) Filed: **May 31, 2019**
(51) **LOC (13) Cl.** **09-03**
(52) **U.S. Cl.**
USPC **D9/425**
(58) **Field of Classification Search**
USPC D7/400, 601, 608; D9/420, 425-429, D9/432, 761

(Continued)

(56) **References Cited**

U.S. PATENT DOCUMENTS

1,800,846 A 4/1931 Slagel
2,633,284 A 3/1953 McFarland et al.

(Continued)

FOREIGN PATENT DOCUMENTS

CN 305118231 8/2018
EM 00212113-0001 7/2004

(Continued)

OTHER PUBLICATIONS

Co-pending U.S. Appl. No. 29/633,905, filed Jan. 17, 2018.

(Continued)

Primary Examiner — Janice Patyk

(74) *Attorney, Agent, or Firm* — Don V. Kelly; Evans & Dixon, L.L.C.

(57) **CLAIM**

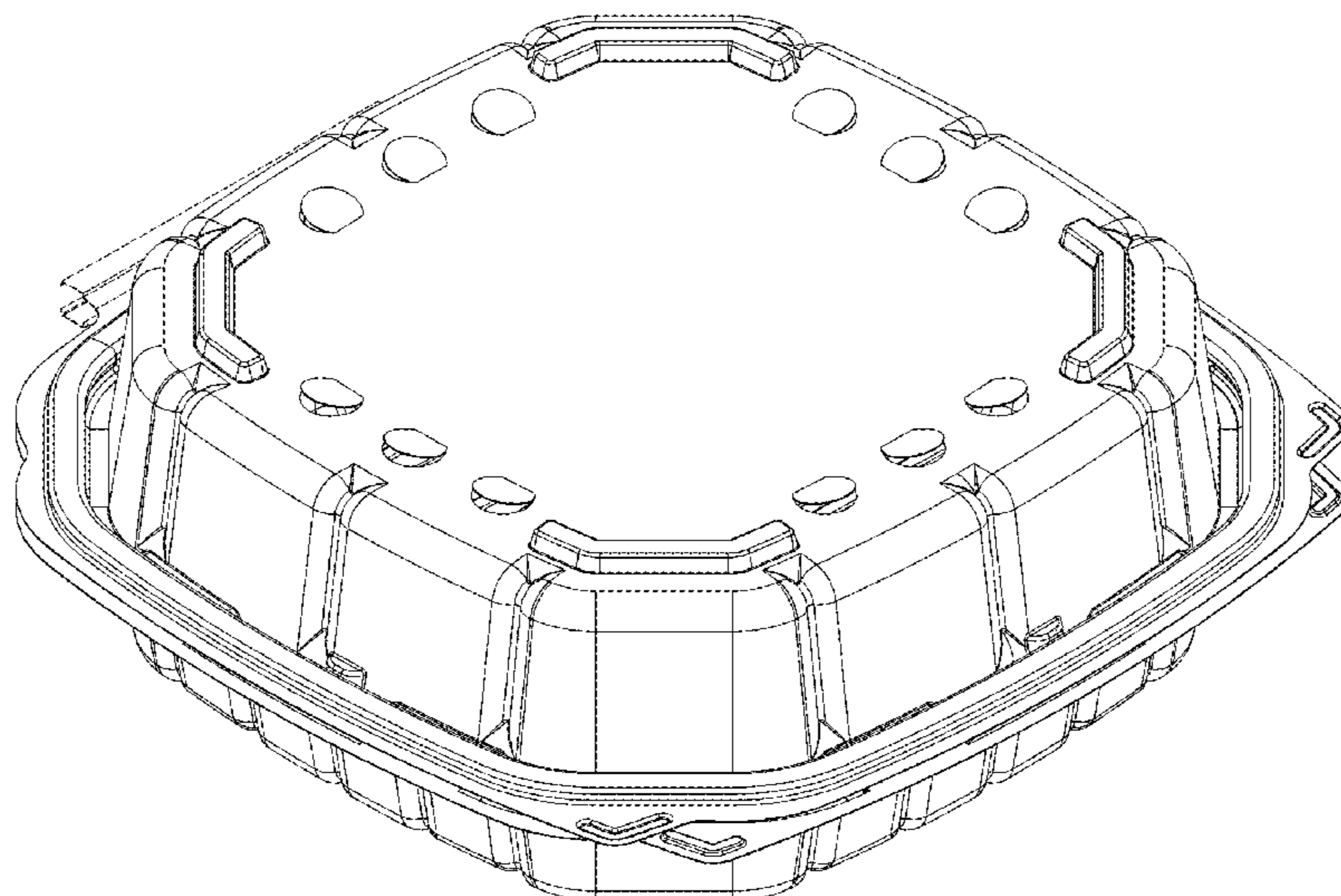
The ornamental design for a plastic food container, as shown and described.

DESCRIPTION

FIG. 1 is a top, front perspective view of a plastic food container, showing our new design;
FIG. 2 is a right side elevation view thereof;
FIG. 3 is a left side elevation view thereof;
FIG. 4 is a front elevation view thereof;
FIG. 5 is a top plan view thereof;
FIG. 6 is a bottom plan view thereof;
FIG. 7 is a top, front perspective view thereof, shown in partially open condition;
FIG. 8 is a right side elevation view thereof, shown without the base for ease of illustration;
FIG. 9 is a left side elevation view thereof, shown without the base for ease of illustration;
FIG. 10 is a front elevation view thereof, shown without the base for ease of illustration;
FIG. 11 is a top plan view thereof, shown without the base for ease of illustration;
FIG. 12 is a bottom plan view thereof, shown without the base for ease of illustration;
FIG. 13 is a right side elevation view thereof, shown without the lid for ease of illustration;
FIG. 14 is a left side elevation view thereof, shown without the lid for ease of illustration;
FIG. 15 is a front elevation view thereof, shown without the lid for ease of illustration;
FIG. 16 is a top plan view thereof, shown without the lid for ease of illustration; and,
FIG. 17 is a bottom plan view thereof, shown without the lid for ease of illustration.

The broken lines in the figures illustrate the portions of the design that form no part of the claimed design.

1 Claim, 17 Drawing Sheets



(58) **Field of Classification Search**

CPC ... B65D 1/00; B65D 1/26; B65D 1/34; B65D 1/40; B65D 11/00; B65D 11/20; B65D 21/00; B65D 21/02; B65D 21/0209; B65D 21/0233; B65D 43/00; B65D 43/162; B65D 43/163; B65D 81/34; B65D 81/3446; B65D 81/3453; B65D 2581/34; B65D 2581/3404; B65D 2581/3409

See application file for complete search history.

7,900,793	B2	3/2011	Hanson et al.	
D640,129	S *	6/2011	Sifuentes	D9/425
D645,711	S	9/2011	Sudia	
D663,615	S *	7/2012	Liang	D9/425
D670,178	S	11/2012	Carson	
D683,178	S	5/2013	Su	
D692,751	S *	11/2013	Mastronardi	D9/427
D699,106	S	2/2014	Glaser	
8,770,431	B1	7/2014	Glaser	
D731,263	S	6/2015	Zila	
D789,798	S	6/2017	Haddad	
D806,575	S	1/2018	Collins	
D815,941	S	4/2018	Haddad	
D817,696	S	5/2018	Mirchandani	

(56) **References Cited**

U.S. PATENT DOCUMENTS

D251,895	S	5/1979	Belmuth et al.	
4,372,526	A	2/1983	Daenen	
D288,698	S	3/1987	Finnamore	
4,784,267	A	11/1988	Gessler et al.	
5,065,889	A	11/1991	Conti	
5,076,459	A	12/1991	DeHart	
D336,216	S	6/1993	Rohrbeck	
D346,934	S	5/1994	Littlejohn	
D349,847	S	8/1994	Avins	
D363,879	S *	11/1995	Krupa	D9/423
D371,940	S	7/1996	Krupa	
D380,381	S *	7/1997	Krupa	D9/425
5,947,321	A	9/1999	Vadney	
6,074,676	A	6/2000	Cadiente et al.	
D440,490	S	4/2001	Lizzio	
6,257,401	B1	7/2001	Mangla et al.	
6,257,434	B1	7/2001	Lizzio	
D473,137	S *	4/2003	Cadiente	B65D 43/162 D9/423
D473,791	S	4/2003	Loris	
D494,463	S	8/2004	Tsao	
6,845,878	B2	1/2005	Hayes et al.	
6,962,263	B2	11/2005	Cadiente et al.	
D563,095	S	3/2008	Sabbag	
D569,243	S *	5/2008	Kidd	D9/425
D579,326	S *	10/2008	Chen	D9/425
7,441,672	B2	10/2008	Cadiente et al.	
7,472,799	B2	1/2009	Cadiente et al.	
D598,714	S	8/2009	Aagaard	
D616,698	S	6/2010	Lion	
D621,650	S	8/2010	DeLeo	
D625,180	S	10/2010	Enriquez	
D628,471	S	12/2010	Golota	
D628,472	S *	12/2010	Strange	D9/425
D632,561	S *	2/2011	Short	D9/427

2003/0062365	A1	4/2003	Krueger	
2003/0152670	A1	8/2003	Shih	
2007/0196541	A1	8/2007	Vovan	
2007/0241110	A1	10/2007	Belleggi	
2009/0057381	A1	3/2009	Gokhale	
2009/0206090	A1	8/2009	Hanson	
2010/0122930	A1	5/2010	Manca	
2010/0320210	A1	12/2010	Cimmerer	
2013/0175269	A1	7/2013	Chen	
2013/0175284	A1	7/2013	Chen	
2014/0183190	A1	7/2014	Tyberghein	
2016/0016690	A1	1/2016	Lam	
2018/0297742	A1	10/2018	Dube	

FOREIGN PATENT DOCUMENTS

EM	003046416-0001	3/2016
EM	005580537-0001	8/2018
EM	005580537-0002	8/2018
EM	005580537-0003	8/2018
EM	005606860-0001	8/2018
EM	305040743	2/2019
TW	470068	12/2001

OTHER PUBLICATIONS

Co-pending U.S. Appl. No. 29/637,021, filed Feb. 13, 2018.
 Co-pending U.S. Appl. No. 29/694,618, filed Jun. 12, 2019.
 Co-pending U.S. Appl. No. 29/692,808, filed May 29, 2019.
 Co-pending U.S. Appl. No. 29/695,418, filed Jun. 19, 2019.
 Co-pending U.S. Appl. No. 29/692,900, filed May 29, 2019.
 Co-pending U.S. Appl. No. 29/692,818, filed May 29, 2019.
 Co-pending U.S. Appl. No. 29/694,873, filed Jun. 12, 2019.
 Co-pending U.S. Appl. No. 29/693,230, filed May 31, 2019.
 Co-pending U.S. Appl. No. 29/693,258, filed May 31, 2019.

* cited by examiner

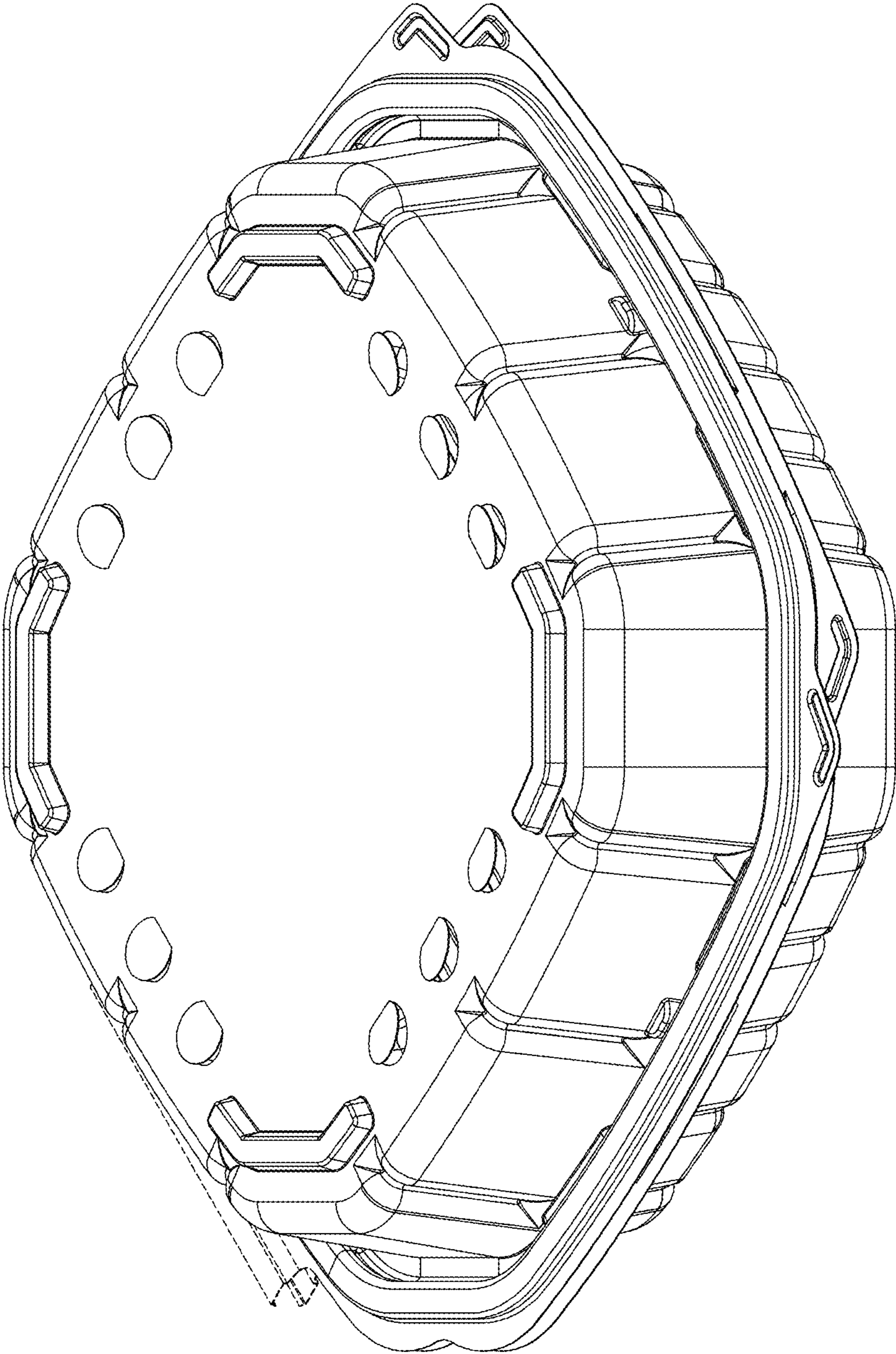


FIGURE 1

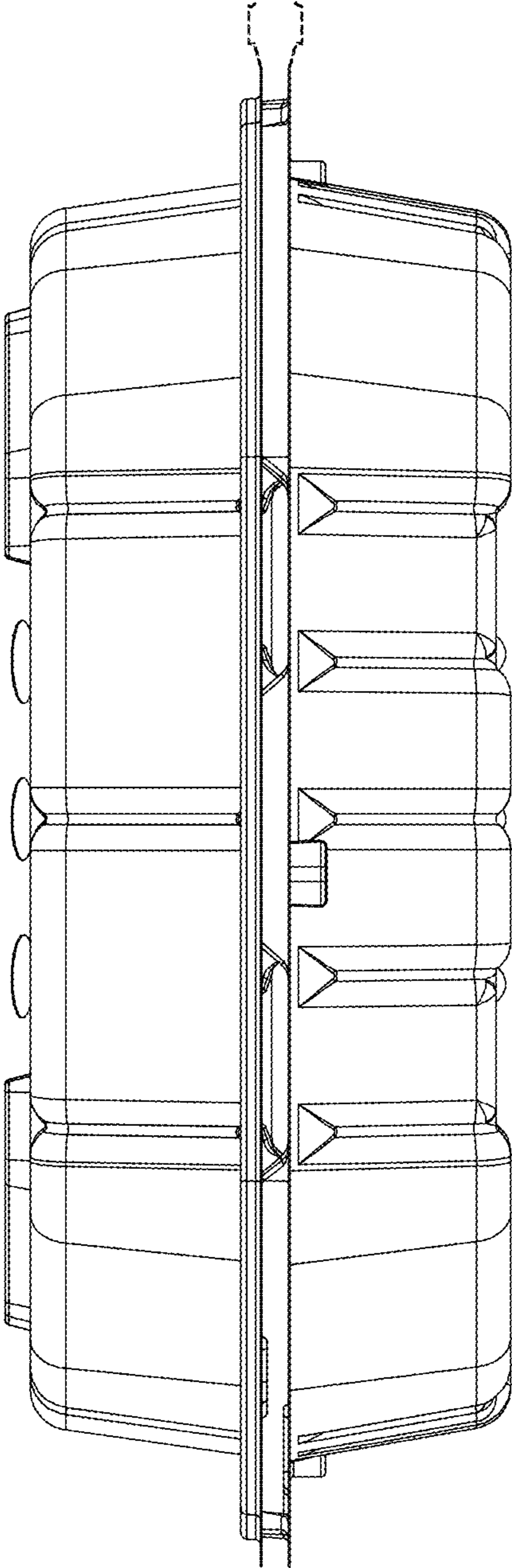


FIGURE 2

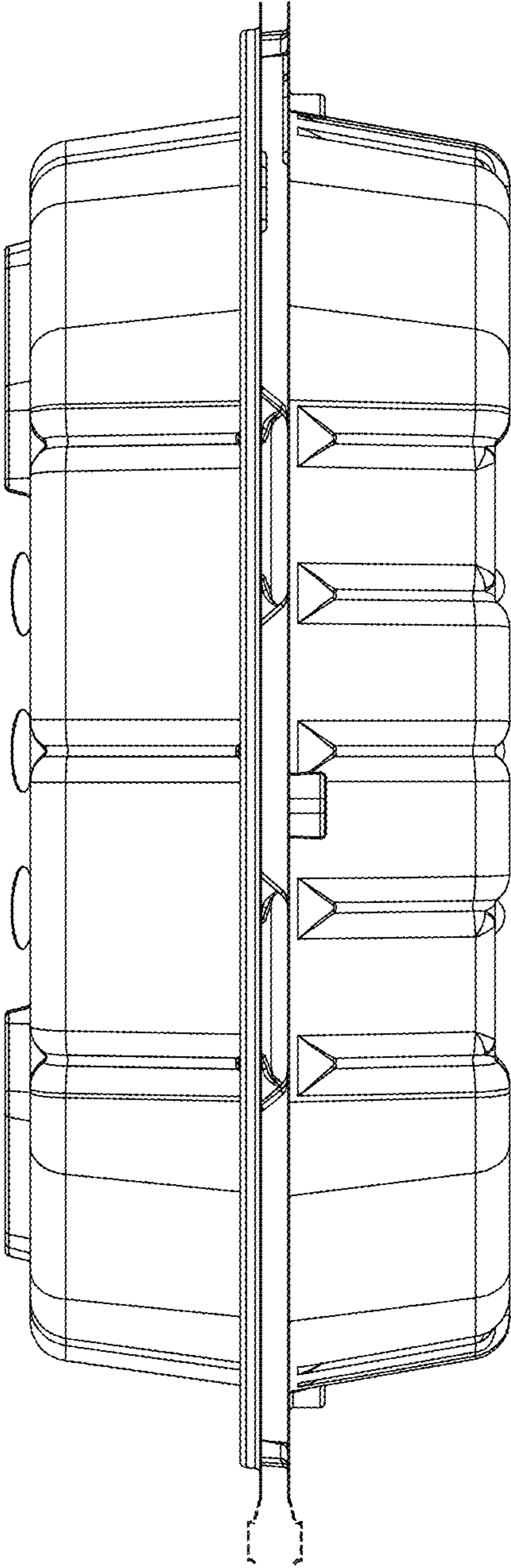


FIGURE 3

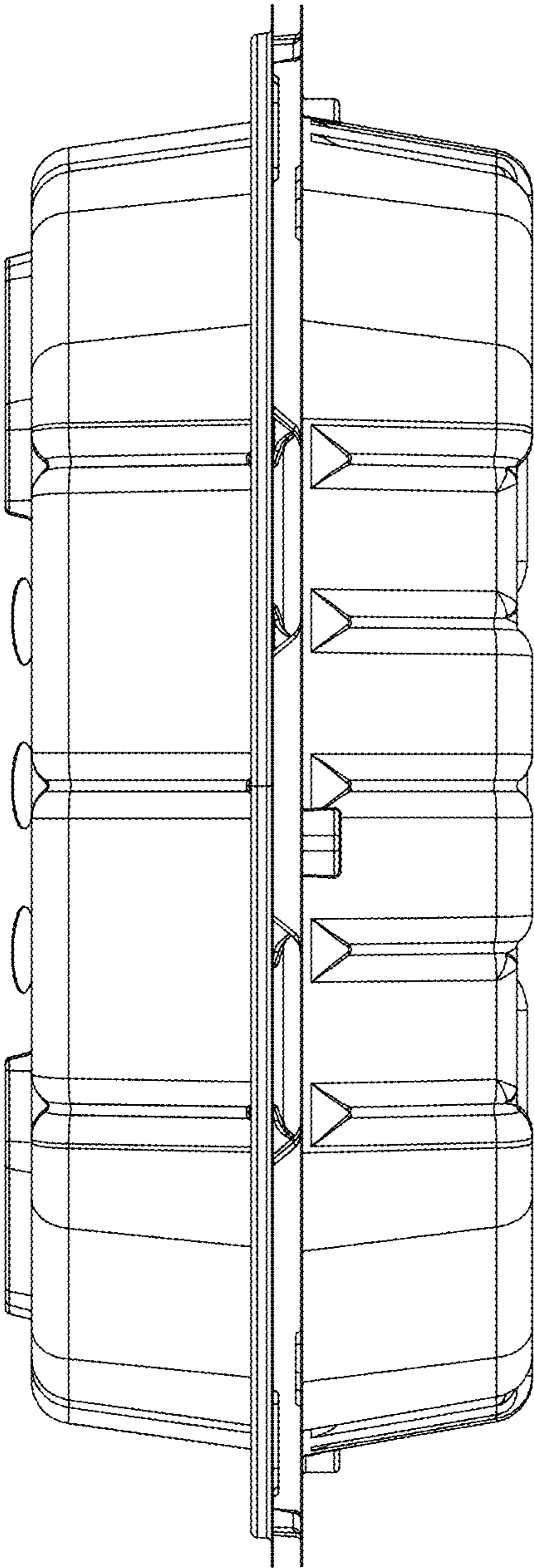


FIGURE 4

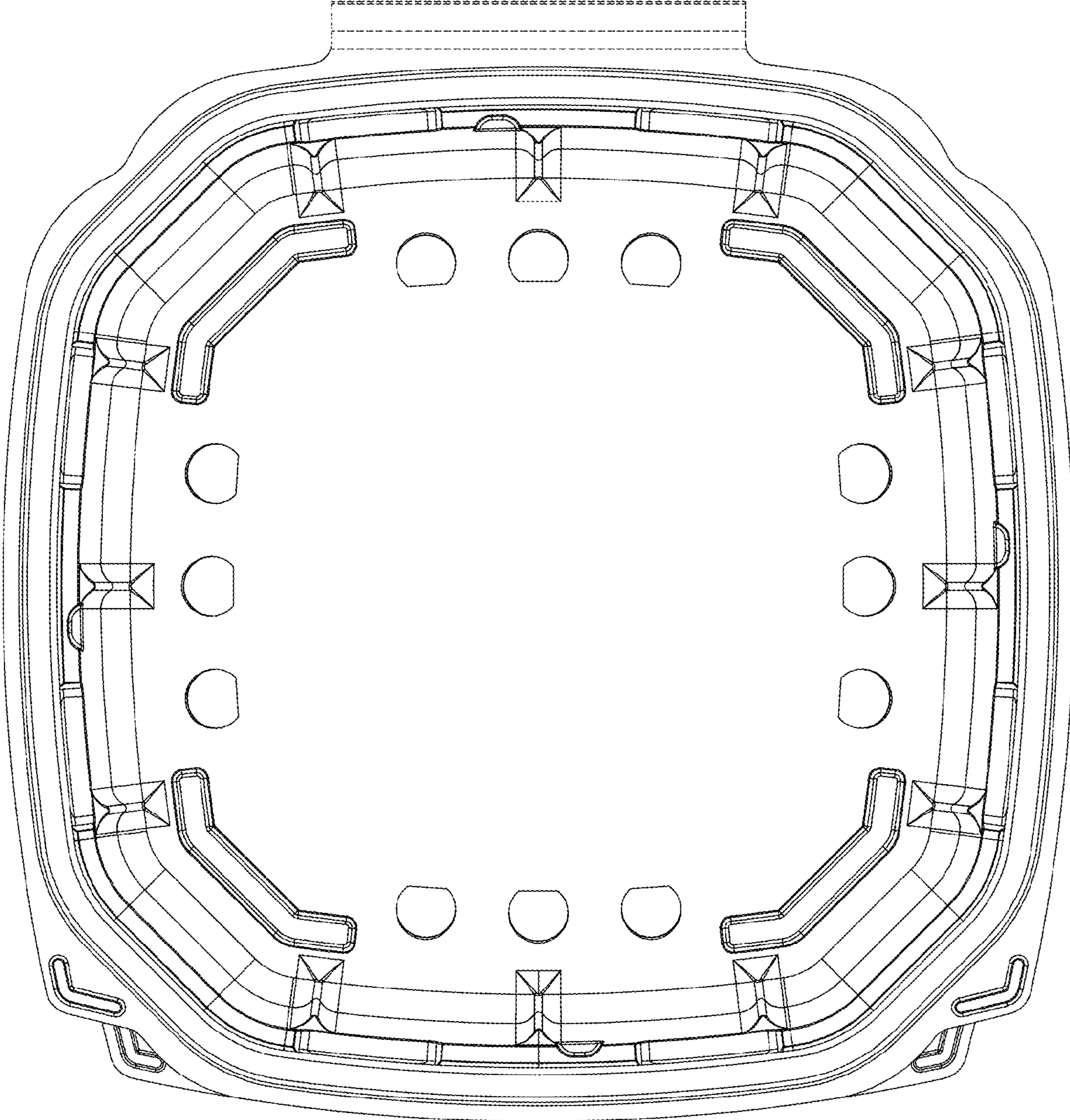


FIGURE 5

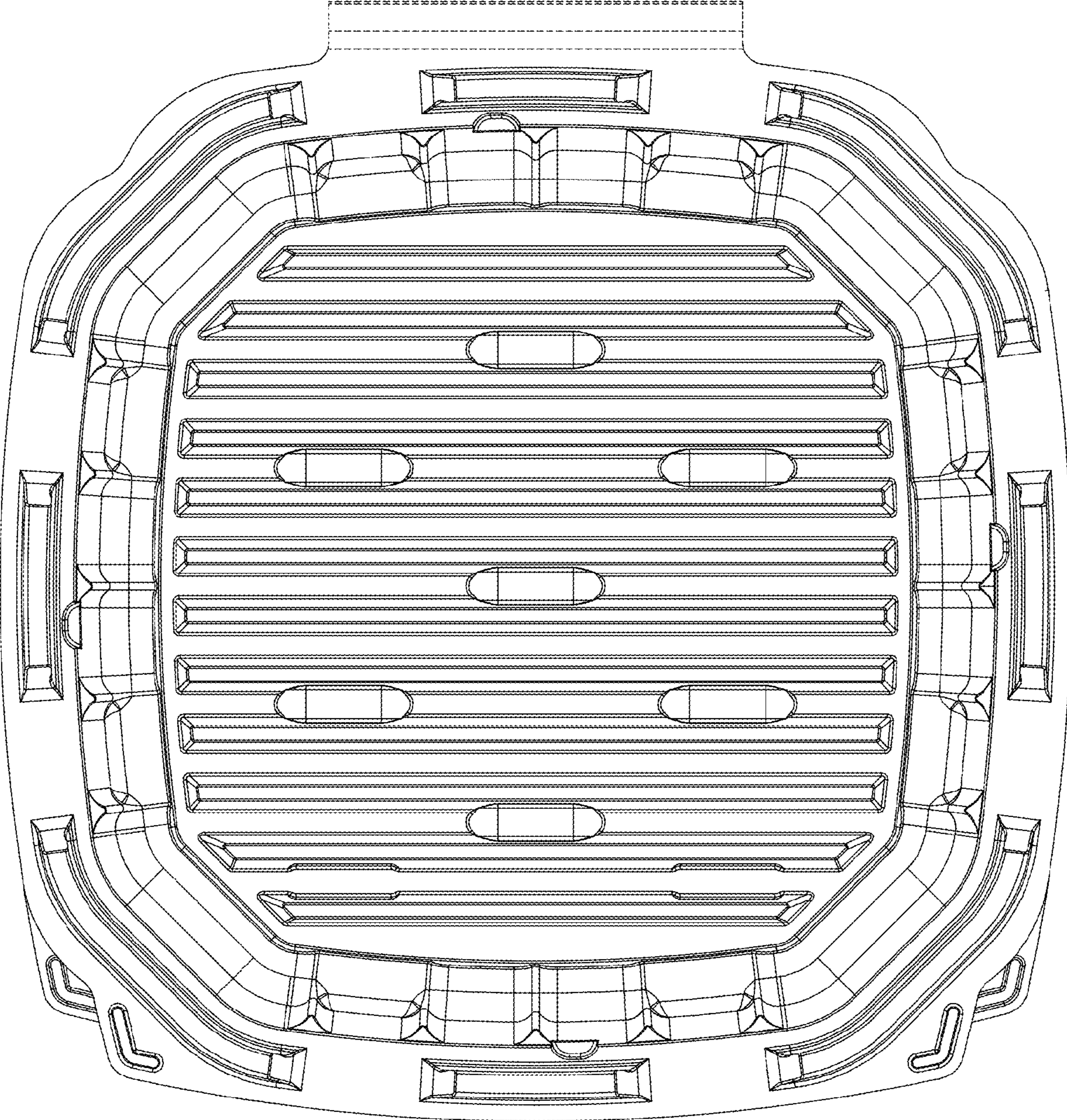


FIGURE 6

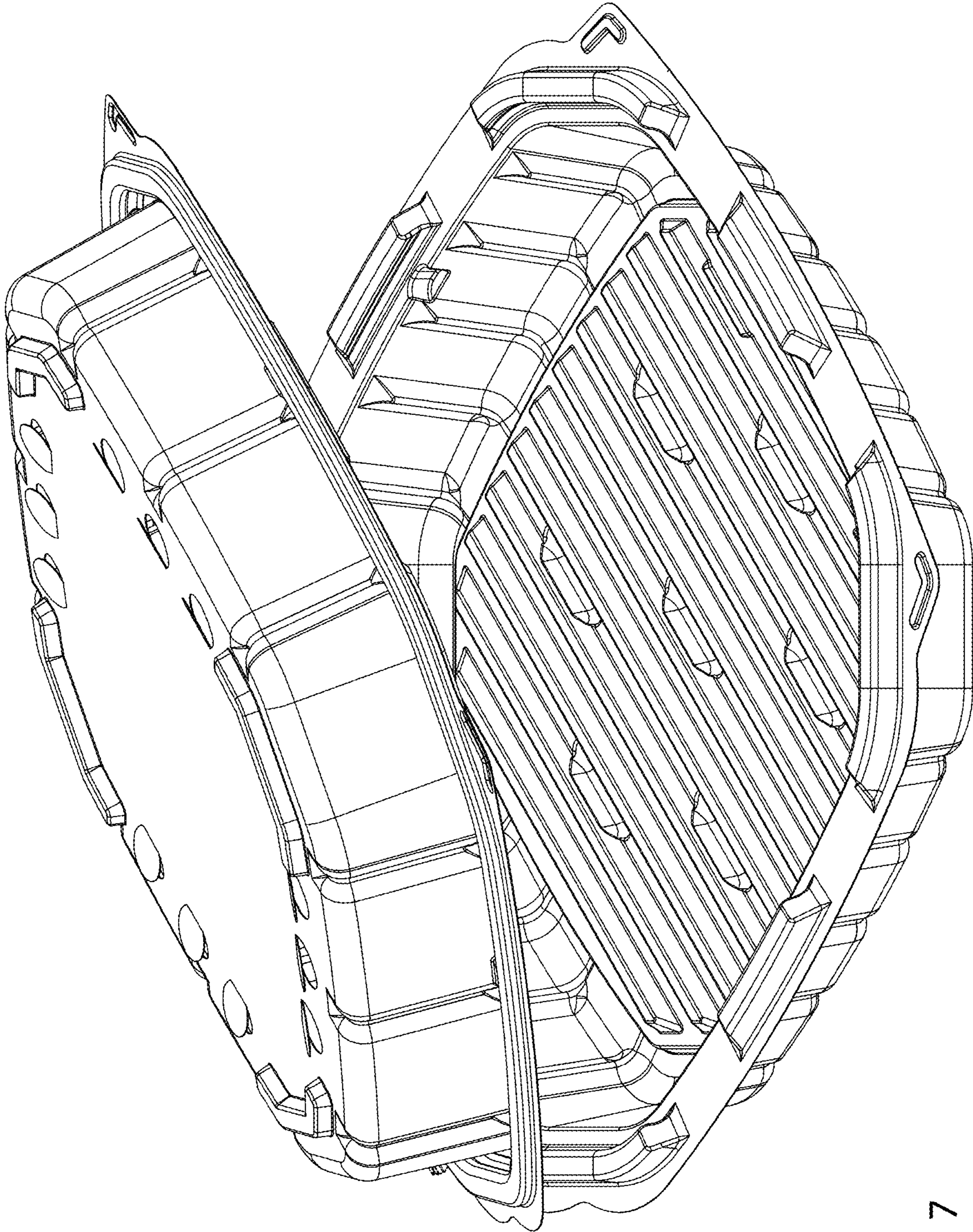


FIGURE 7

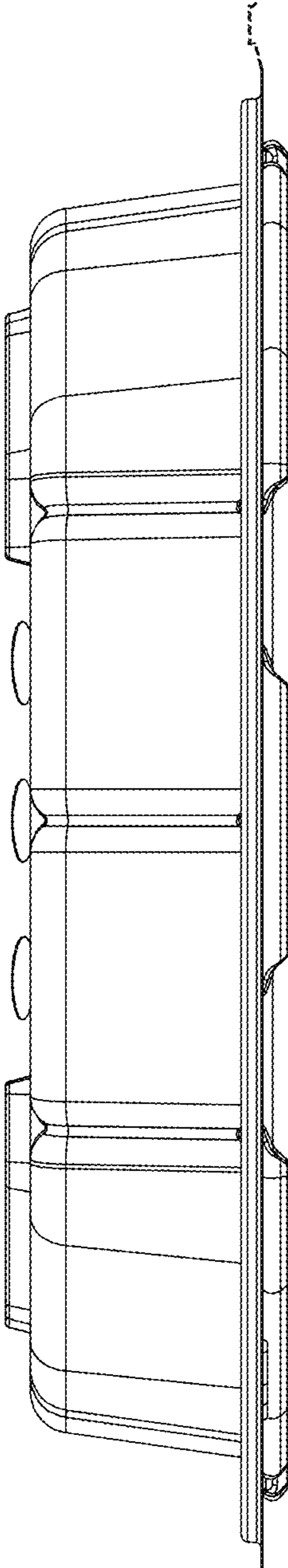


FIGURE 8

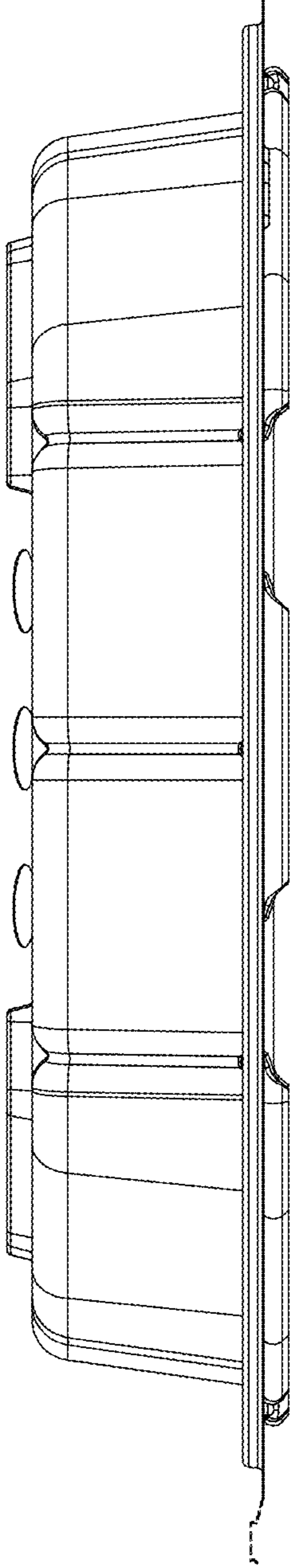


FIGURE 9

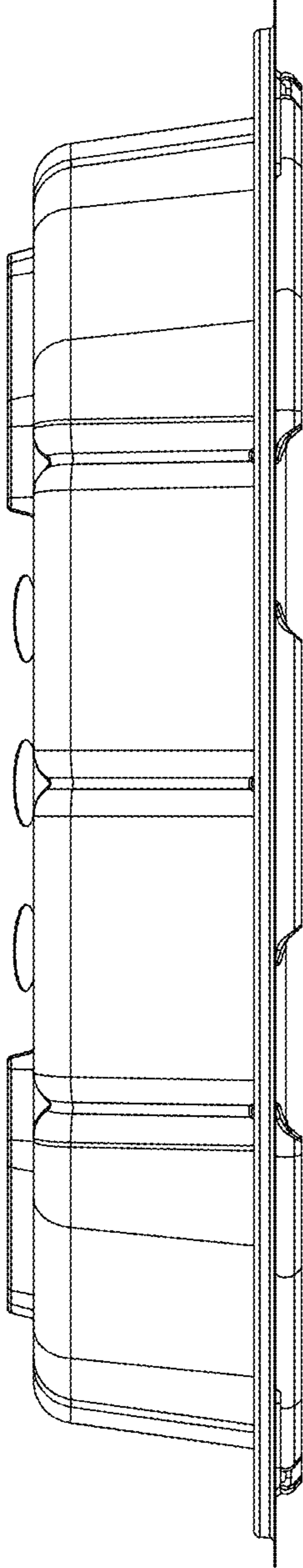


FIGURE 10

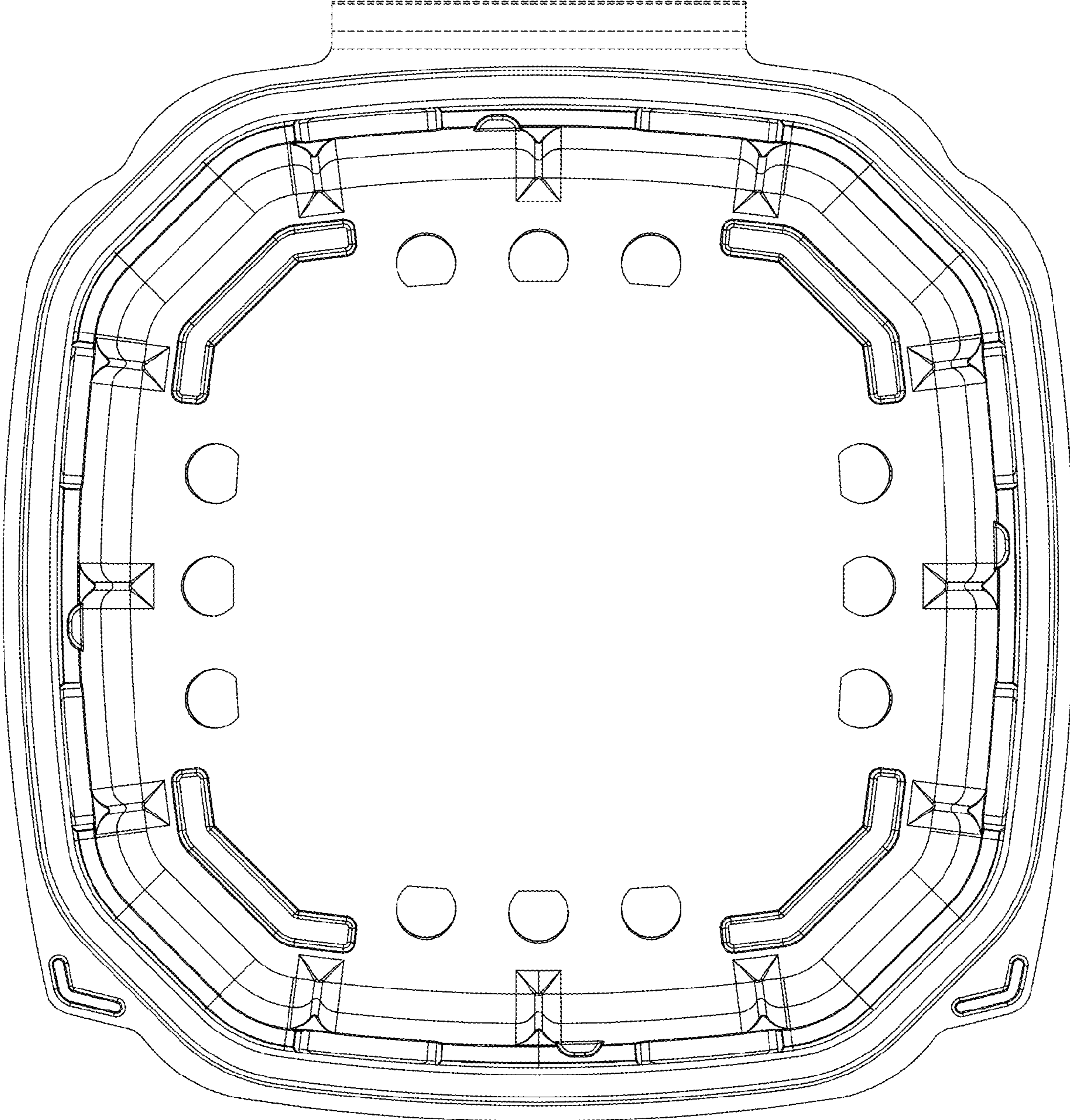


FIGURE 11

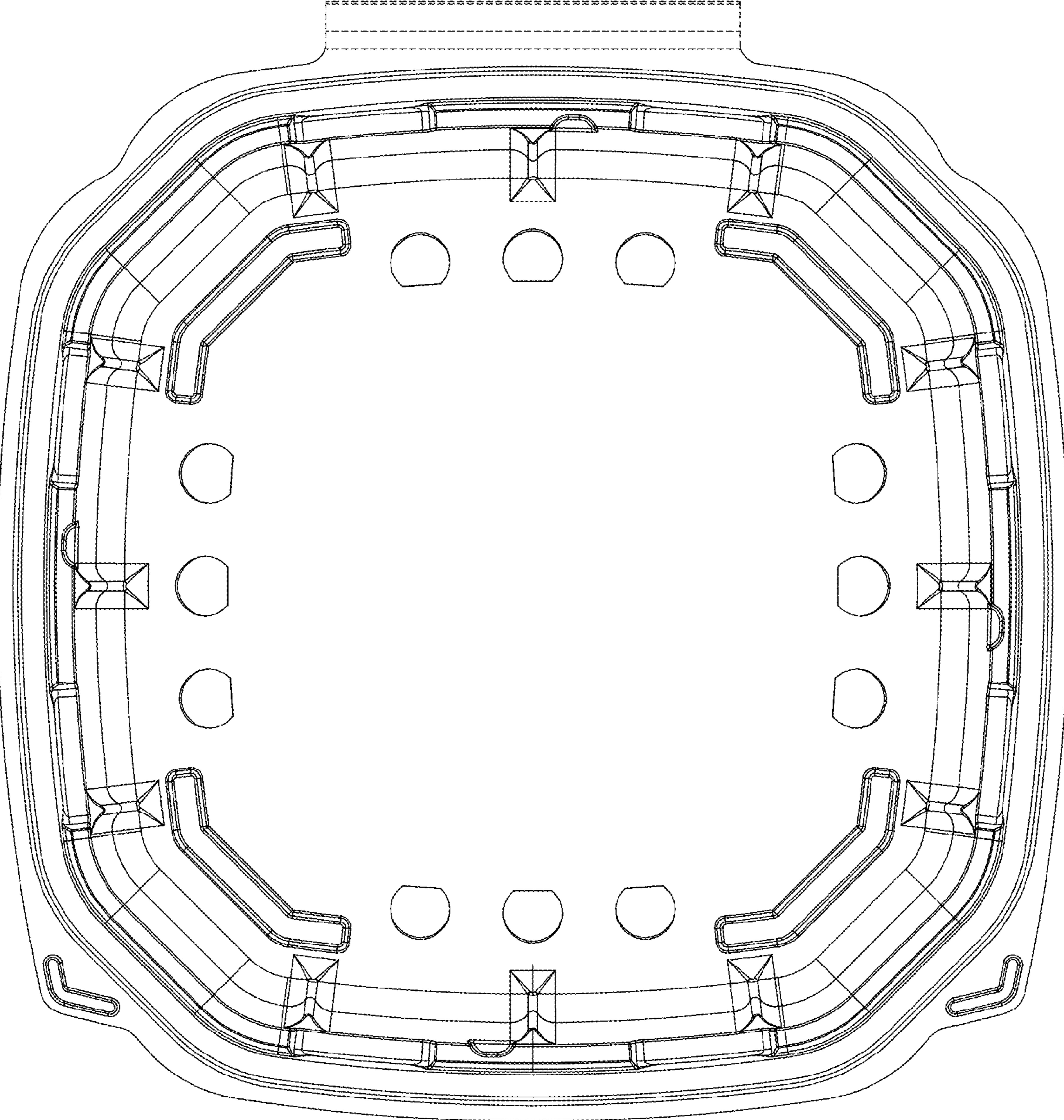


FIGURE 12

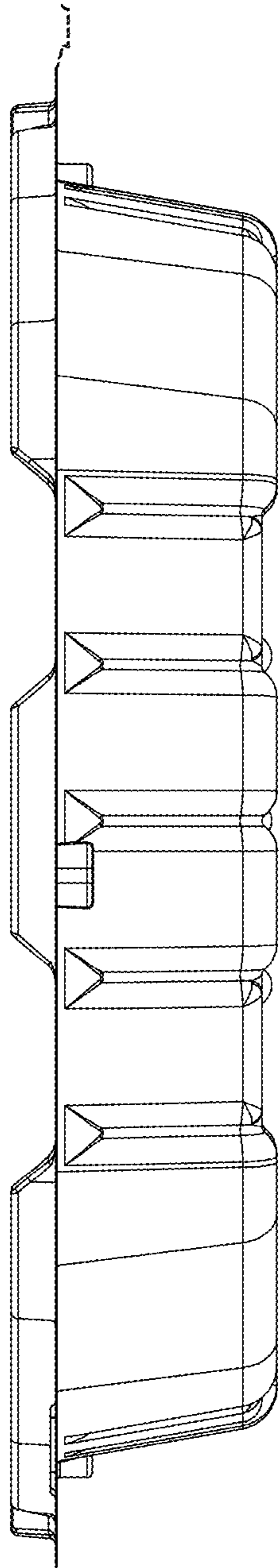


FIGURE 13

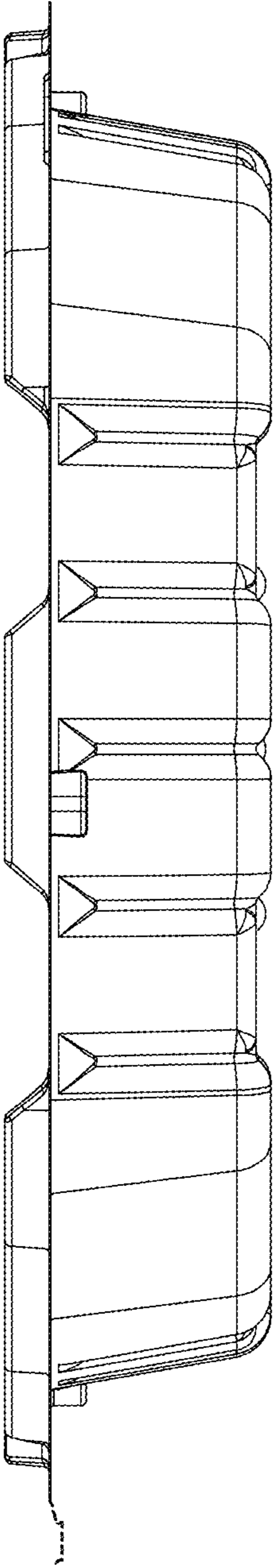


FIGURE 14

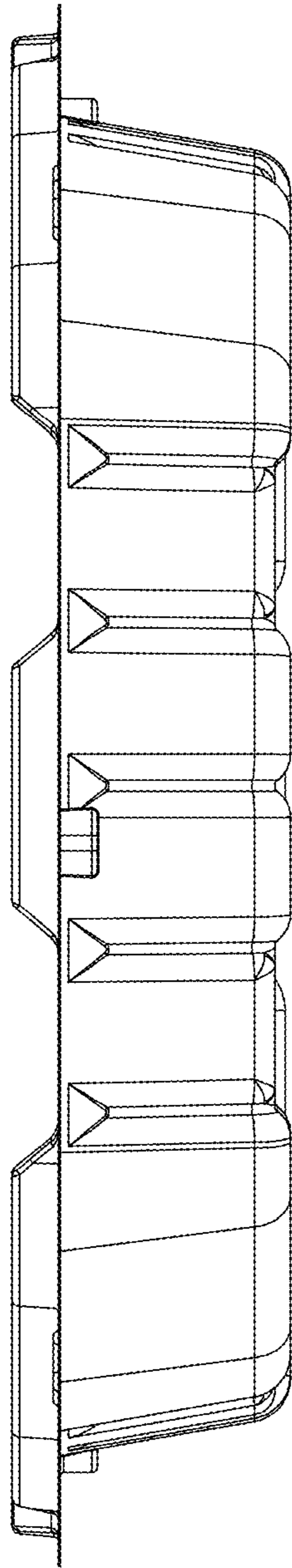


FIGURE 15

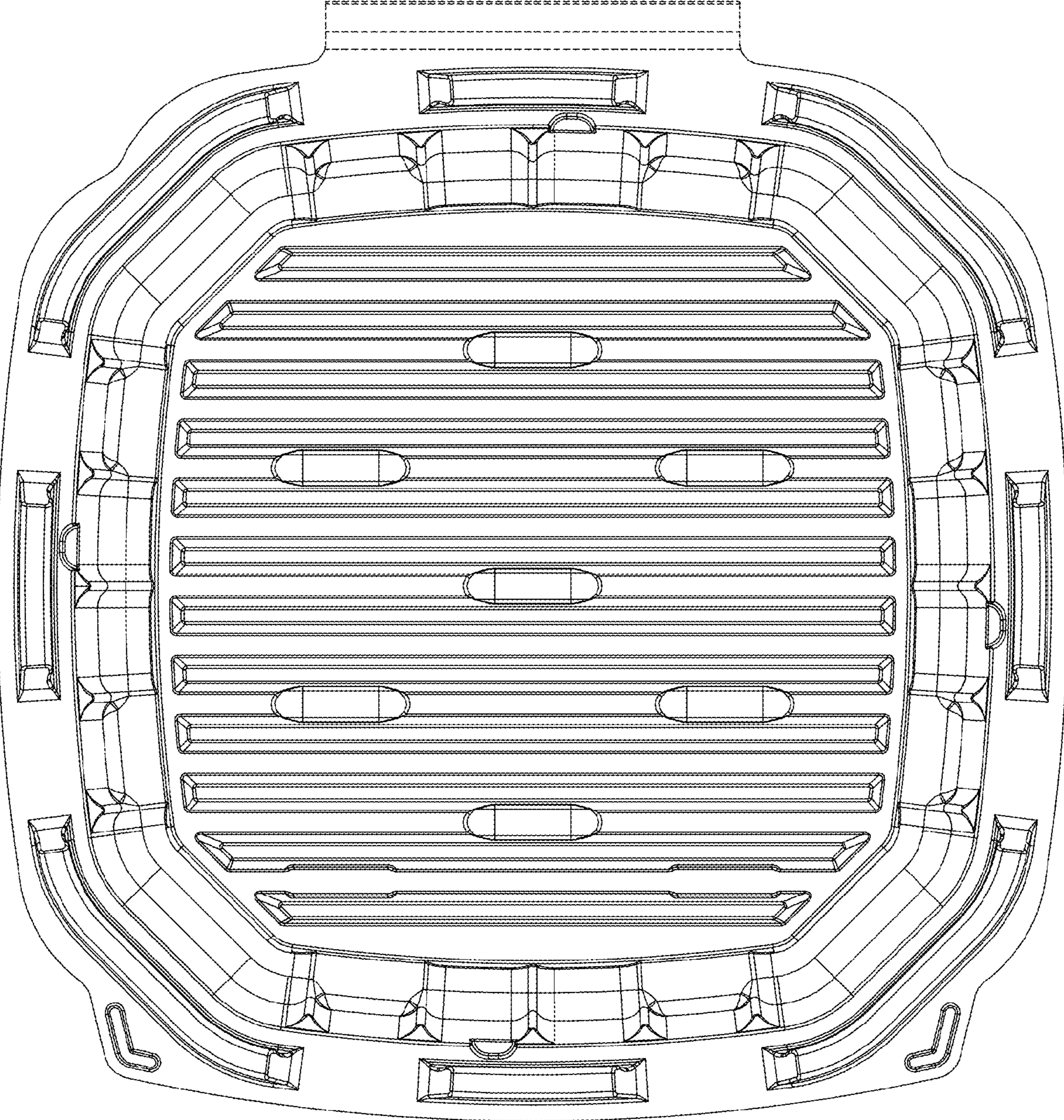


FIGURE 16

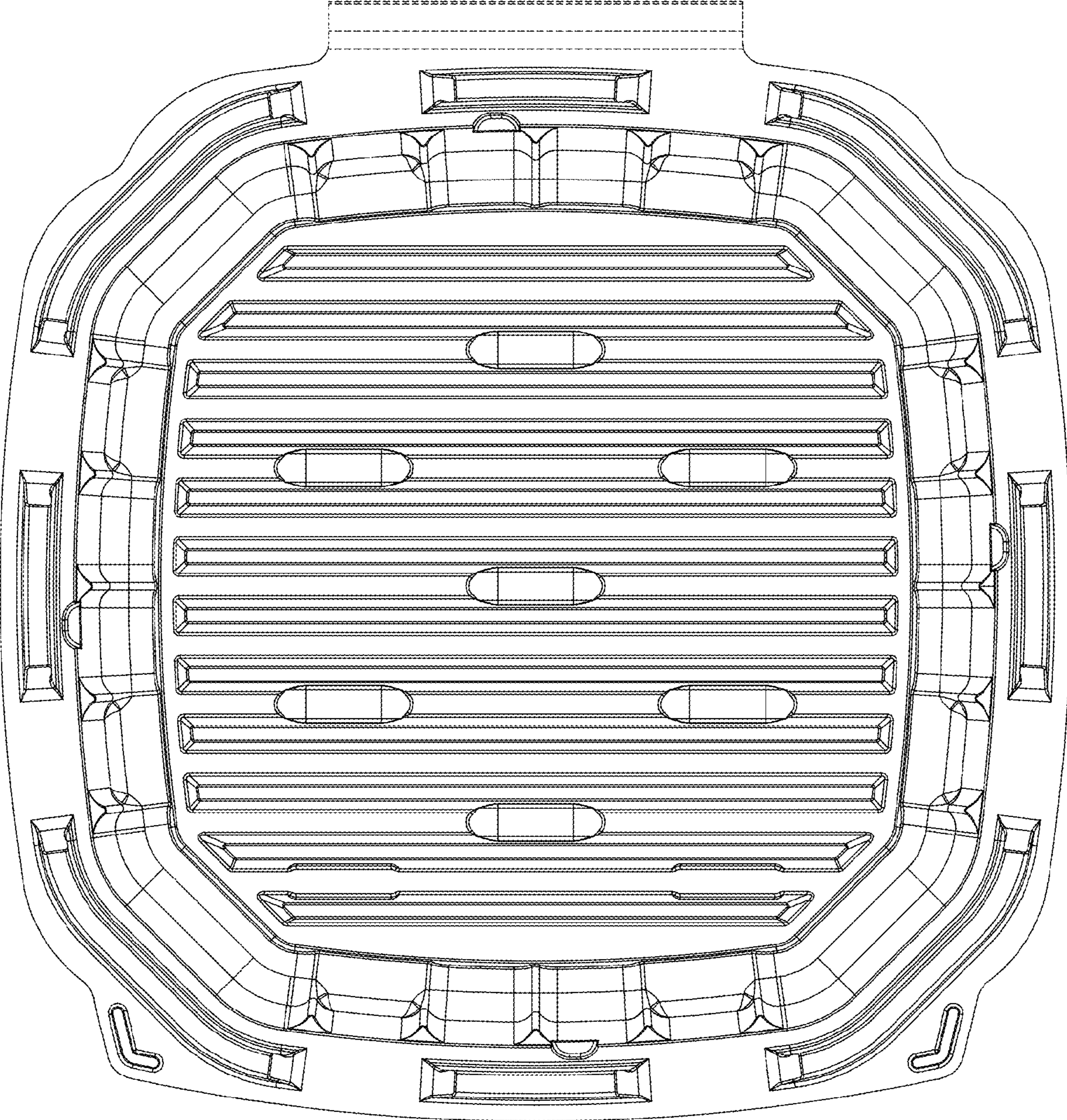


FIGURE 17