



US00D910434S

(12) **United States Design Patent**  
**Tan et al.**

(10) **Patent No.:** **US D910,434 S**

(45) **Date of Patent:** **\*\* Feb. 16, 2021**

(54) **CONTAINER**

(71) Applicant: **The Procter & Gamble Company,**  
Cincinnati, OH (US)

(72) Inventors: **Wee Hau Tan,** Singapore (SG); **Lichao Pan,** Beijing (CN)

(73) Assignee: **The Procter and Gamble Company,**  
Cincinnati, OH (US)

(\*\*) Term: **15 Years**

(21) Appl. No.: **29/676,338**

(22) Filed: **Jan. 10, 2019**

(30) **Foreign Application Priority Data**

Jul. 16, 2018 (WO) ..... 8240101

(51) **LOC (13) Cl.** ..... **09-03**

(52) **U.S. Cl.**  
USPC ..... **D9/425**

(58) **Field of Classification Search**  
USPC ..... D7/400, 601, 608; D9/416, 417, 420,  
D9/425-429, 430, 432, 761; 206/499,  
206/501, 502, 821; 220/625, 656, 669,  
220/670, 674; 229/123.1, 123.2, 125.33,  
229/125.35, 400-407, 915, 939  
CPC . B65D 1/26; B65D 1/40; B65D 5/243; B65D  
81/3453; B65D 2581/34; B65D  
2581/3404; B65D 2581/3456  
See application file for complete search history.

(56) **References Cited**

**U.S. PATENT DOCUMENTS**

5,062,994 A 11/1991 Imperatori  
5,455,114 A 10/1995 Ohmory  
D378,180 S \* 2/1997 Hayes ..... D7/554.1  
D398,847 S \* 9/1998 Wyslowsky ..... D9/418  
D408,223 S \* 4/1999 Henry ..... D30/129

D418,415 S \* 1/2000 Hayes ..... D7/545  
D418,750 S \* 1/2000 Blin ..... D9/430  
D427,902 S \* 7/2000 Hayes ..... D9/425  
D484,749 S \* 1/2004 Garraway ..... D7/584  
6,878,368 B2 4/2005 Ohta  
D549,051 S \* 8/2007 Nordwall ..... D7/509  
D578,881 S \* 10/2008 Friedland ..... D7/545  
D640,921 S \* 7/2011 Caldwell ..... D9/430  
8,273,333 B2 9/2012 Glenn, Jr.

(Continued)

**FOREIGN PATENT DOCUMENTS**

CN 106728634 A 5/2017  
DE 100932 4/2018

(Continued)

**OTHER PUBLICATIONS**

All final and non-final office actions for U.S. Appl. No. 16/431,028.  
(Continued)

*Primary Examiner* — Janice Patyk  
(74) *Attorney, Agent, or Firm* — Alexandra S. Anoff

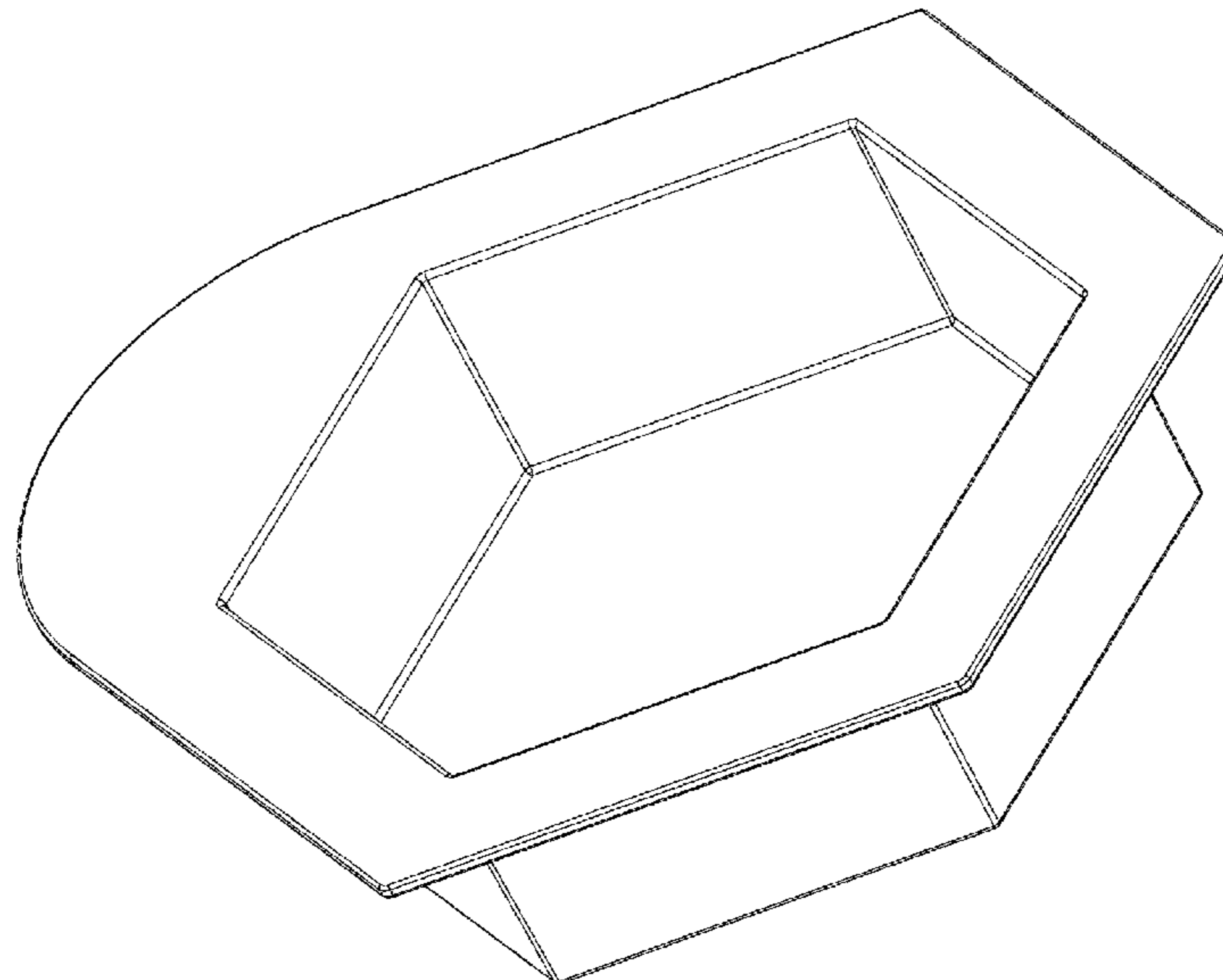
(57) **CLAIM**

The ornamental design for a container, as shown and described.

**DESCRIPTION**

FIG. 1 is a perspective view of a container, showing our new design;  
FIG. 2 is a top view thereof;  
FIG. 3 is a bottom view thereof;  
FIG. 4 is a right side view thereof;  
FIG. 5 is a left side view thereof;  
FIG. 6 is a front view thereof;  
FIG. 7 is a rear view thereof; and,  
FIG. 8 is a cross-sectional view thereof, taken along line 8-8 in FIG. 2.

**1 Claim, 8 Drawing Sheets**



(56)

References Cited

U.S. PATENT DOCUMENTS

D682,622 S \* 5/2013 Keys ..... D7/586  
 8,461,091 B2 6/2013 Glenn, Jr.  
 D694,621 S \* 12/2013 McCarthy ..... D9/429  
 8,723,333 B2 5/2014 Park  
 9,198,838 B2 12/2015 Glenn, Jr.  
 9,539,444 B2 1/2017 Kinoshita  
 D797,551 S \* 9/2017 Chatterton ..... D9/425  
 D798,143 S \* 9/2017 Chatterton ..... D9/425  
 2003/0080150 A1 5/2003 Cowan  
 2004/0048771 A1 3/2004 Mcdermott  
 2004/0059055 A1 3/2004 Inada  
 2004/0071755 A1 4/2004 Fox  
 2006/0078528 A1 4/2006 Yang  
 2006/0078529 A1 4/2006 Uchida  
 2006/0128592 A1 6/2006 Ross  
 2007/0099813 A1 5/2007 Luizzi  
 2009/0232873 A1 9/2009 Glenn, Jr.  
 2009/0263342 A1 10/2009 Glenn, Jr.  
 2010/0150976 A1 6/2010 Schnitzler  
 2011/0189247 A1 8/2011 Glenn, Jr.  
 2011/0195098 A1 8/2011 Glenn, Jr.  
 2014/0329428 A1 11/2014 Glenn, Jr.  
 2015/0297494 A1 10/2015 Mao  
 2015/0315350 A1 11/2015 Mao  
 2016/0101026 A1 4/2016 Pratt  
 2016/0101204 A1 4/2016 Lynch  
 2016/0143827 A1 5/2016 Castan Barberan  
 2016/0250109 A1 9/2016 Dreher  
 2016/0367104 A1 12/2016 Dreher  
 2017/0121641 A1 5/2017 Smith  
 2017/0335080 A1 11/2017 Mao  
 2018/0333339 A1 11/2018 Hamersky  
 2019/0282457 A1 9/2019 Pratt  
 2019/0282461 A1 9/2019 Glassmeyer  
 2020/0093710 A1 3/2020 Hamersky

FOREIGN PATENT DOCUMENTS

DE 100938 4/2018  
 DE 101063 5/2018

DE 101100 5/2018  
 JP 01172319 A 12/1987  
 WO DM101101 5/2018

OTHER PUBLICATIONS

All final and non-final office actions for U.S. Appl. No. 16/431,115.  
 All final and non-final office actions for U.S. Appl. No. 16/577,120.  
 All final and non-final office actions for U.S. Appl. No. 16/589,504.  
 All final and non-final office actions for U.S. Appl. No. 16/912,876.  
 All final and non-final office actions for U.S. Appl. No. 16/918,292.  
 All final and non-final office actions for U.S. Appl. No. 29/672,822.  
 All final and non-final office actions for U.S. Appl. No. 29/707,807.  
 All final and non-final office actions for U.S. Appl. No. 29/707,809.  
 All final and non-final office actions for U.S. Appl. No. 29/728,687.  
 All final and non-final office actions for U.S. Appl. No. 29/728,688.  
 All final and non-final Office Actions, U.S. Appl. No. 15/979,961.  
 All final and non-final Office Actions, U.S. Appl. No. 15/981,096.  
 PCT International Search Report and Written Opinion for PCT/US2018/015363 dated Jun. 4, 2018.  
 PCT International Search Report and Written Opinion for PCT/US2018/015364 dated Oct. 1, 2018.  
 PCT International Search Report and Written Opinion for PCT/US2018/030762 dated Aug. 7, 2018.  
 PCT International Search Report and Written Opinion for PCT/US2020/070191 dated Aug. 28, 2020.  
 U.S. Appl. No. 16/912,876, filed Jun. 26, 2020, Song et al.  
 U.S. Appl. No. 16/918,292, filed Jul. 1, 2020, Hilvert et al.  
 U.S. Appl. No. 15/981,096, filed May 16, 2018, Hilvert et al.  
 U.S. Appl. No. 16/589,504, filed Oct. 1, 2010, Benson et al.  
 U.S. Appl. No. 29/728,687, filed Mar. 20, 2020, Cook et al.  
 U.S. Appl. No. 29/728,688, filed Mar. 20, 2020, Cook et al.  
 U.S. Appl. No. 29/672,822, filed Dec. 10, 2018, Tan et al.  
 U.S. Appl. No. 29/707,807, filed Oct. 1, 2019, Washington et al.  
 U.S. Appl. No. 29/707,809, filed Oct. 1, 2019, Washington et al.

\* cited by examiner

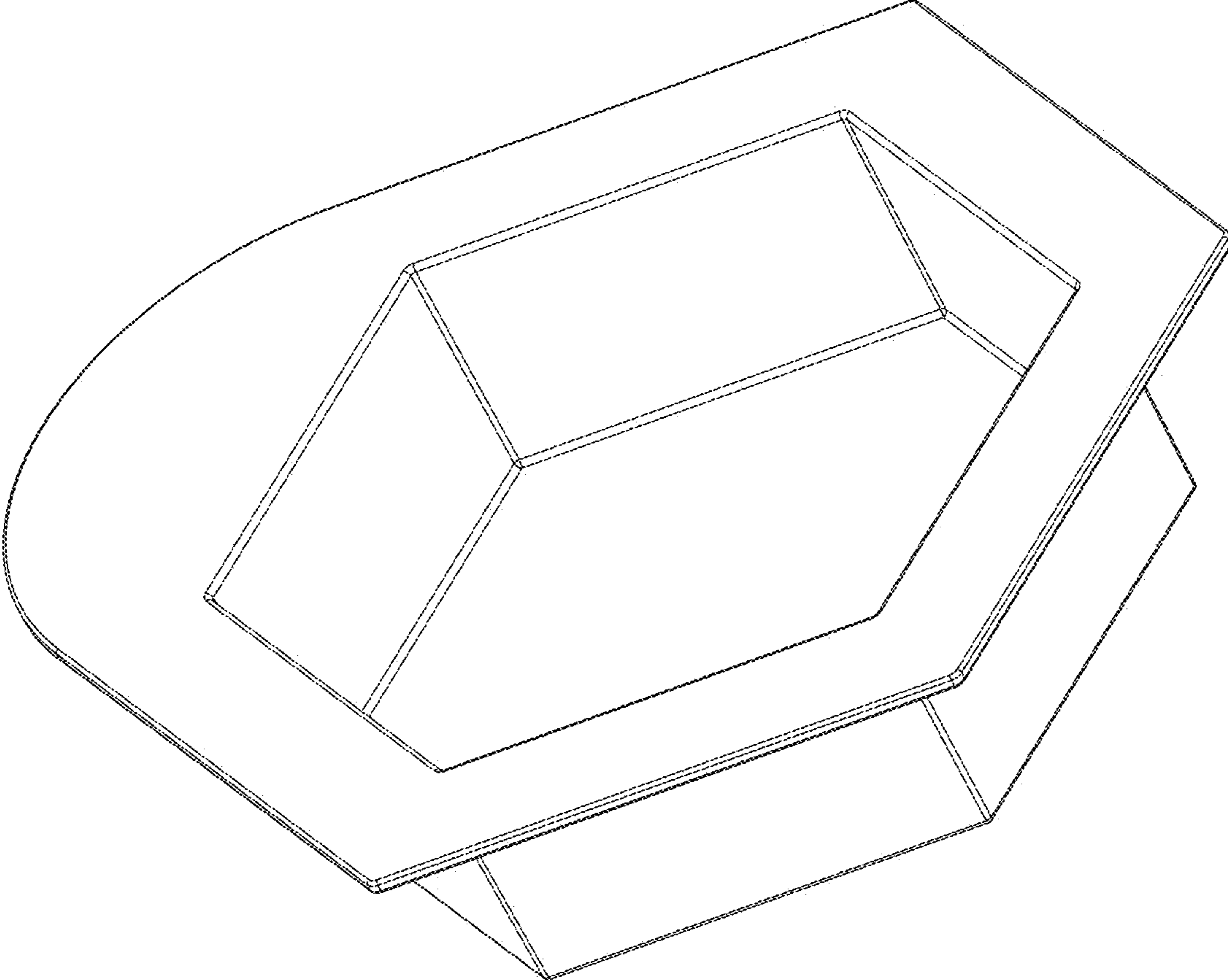


FIG. 1



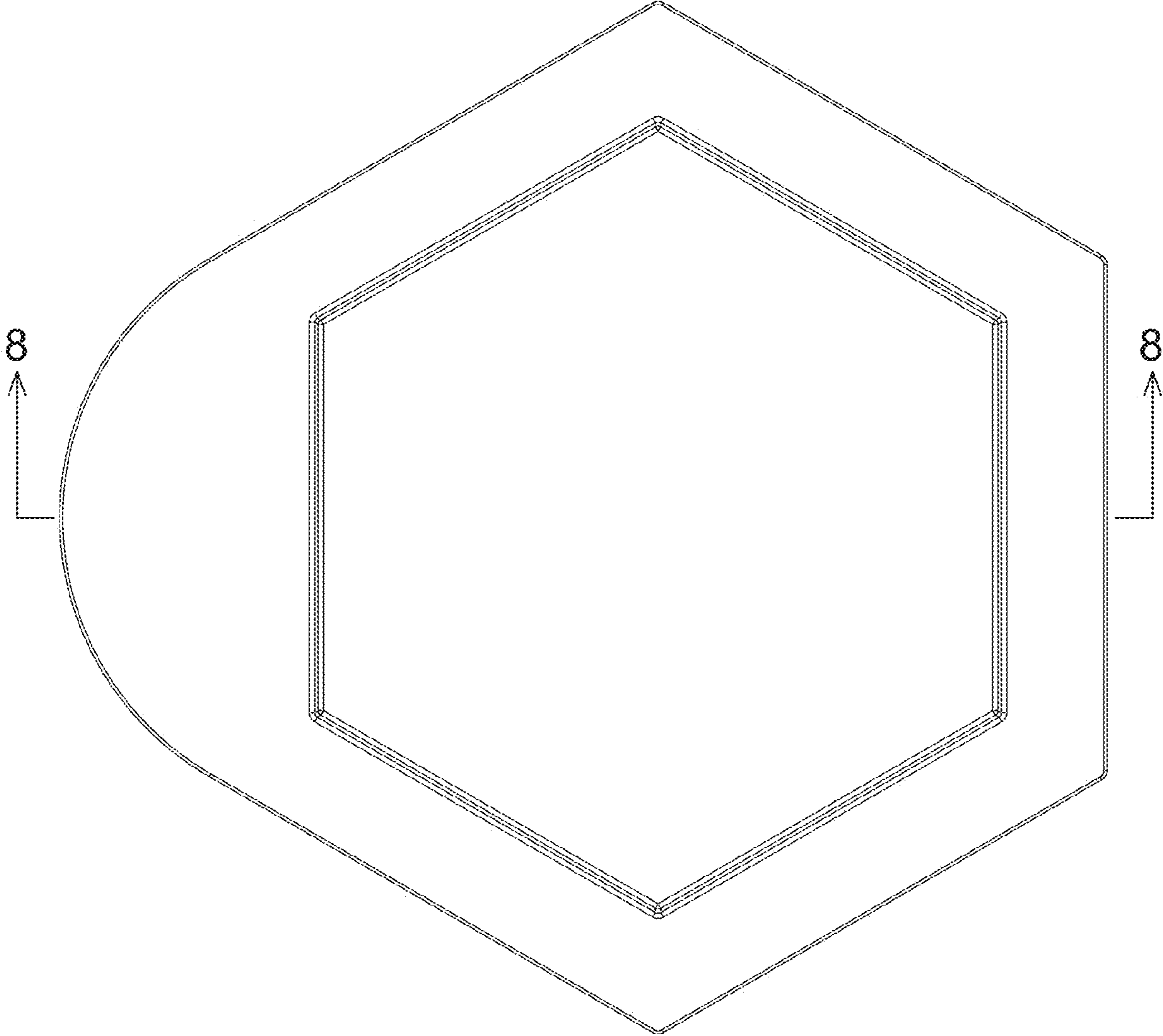


FIG. 2

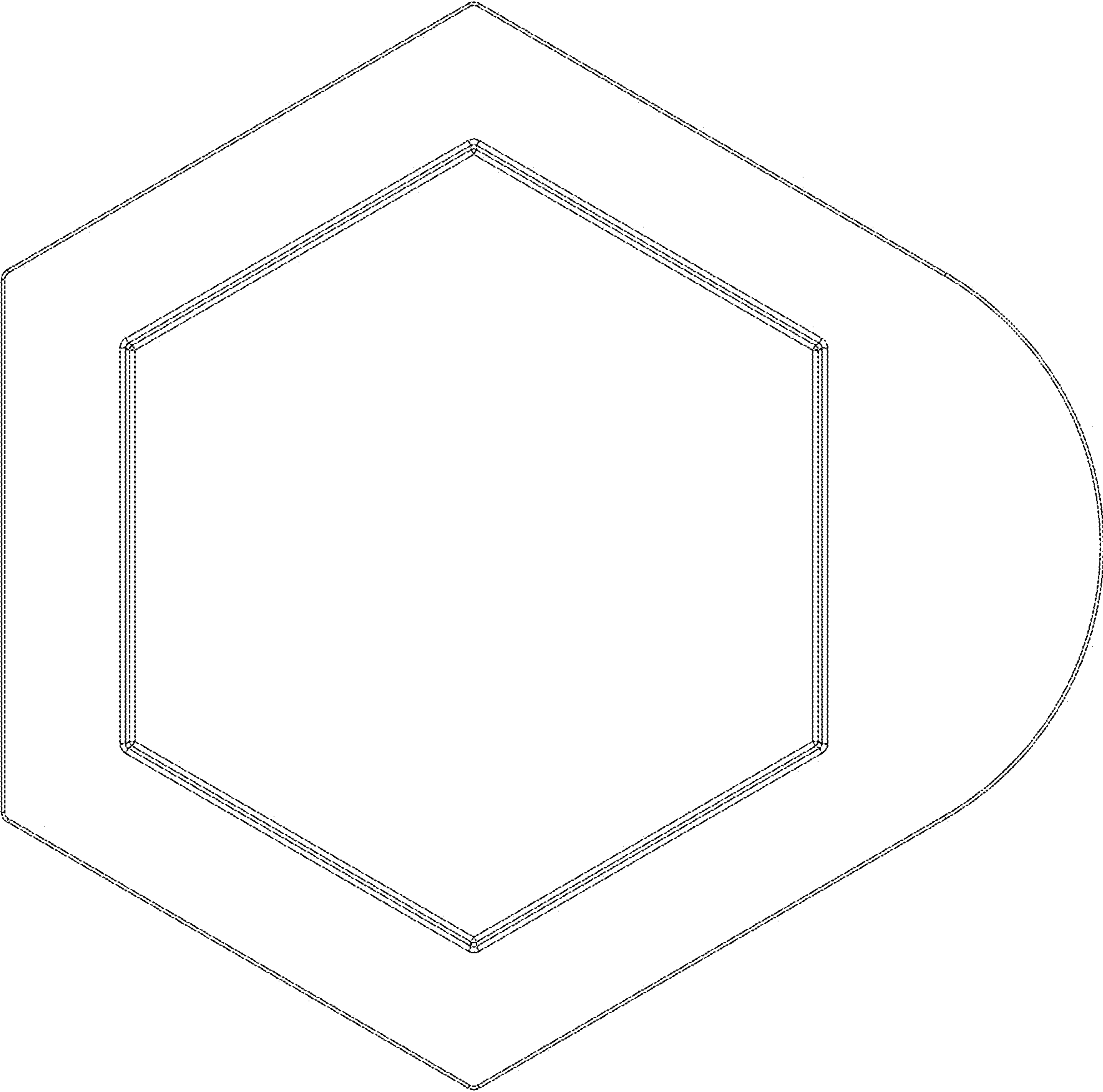


FIG. 3

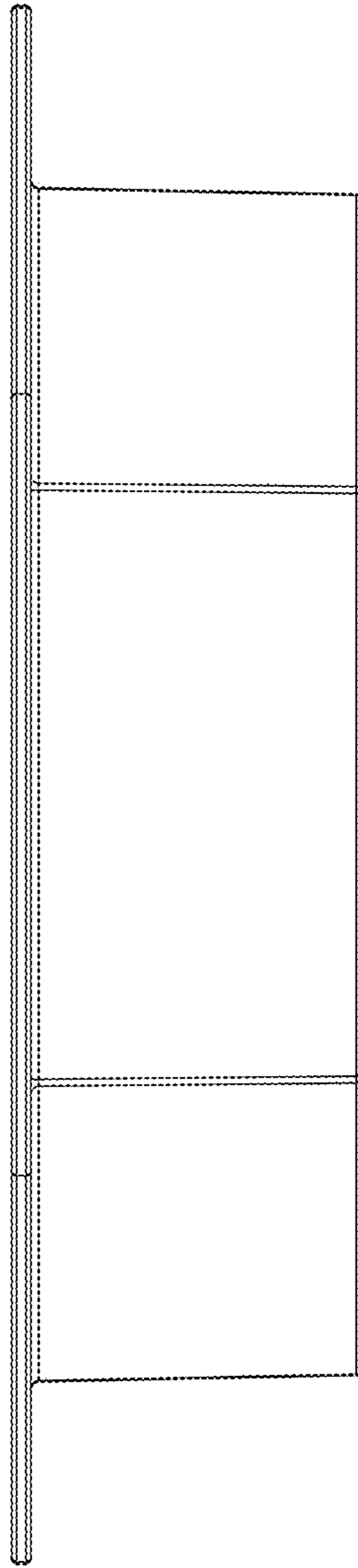


FIG. 4

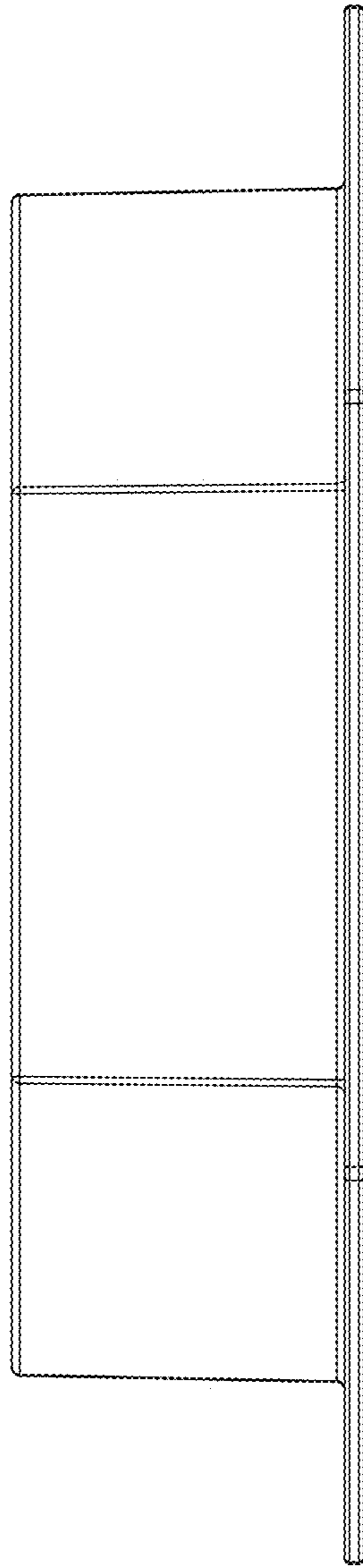


FIG. 5

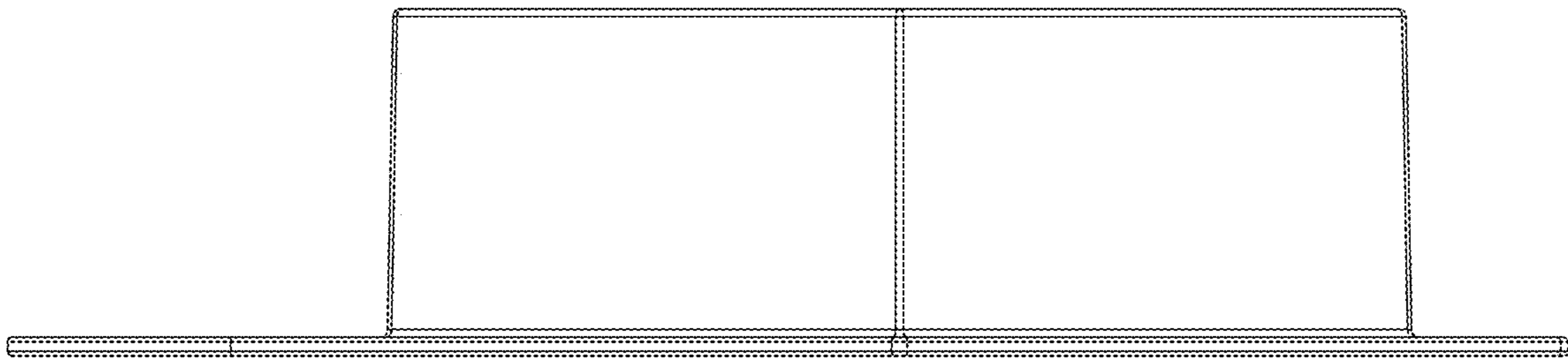


FIG. 6



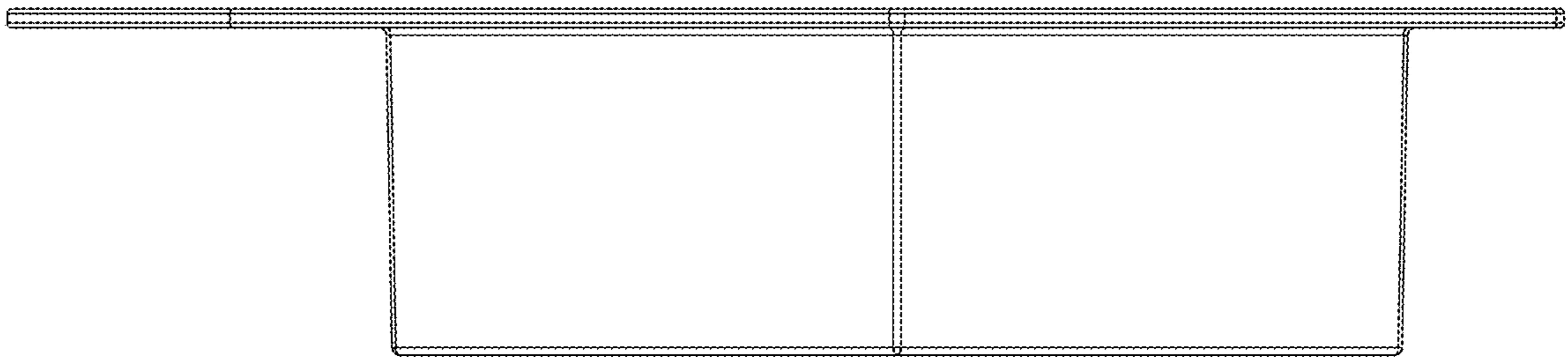


FIG. 7

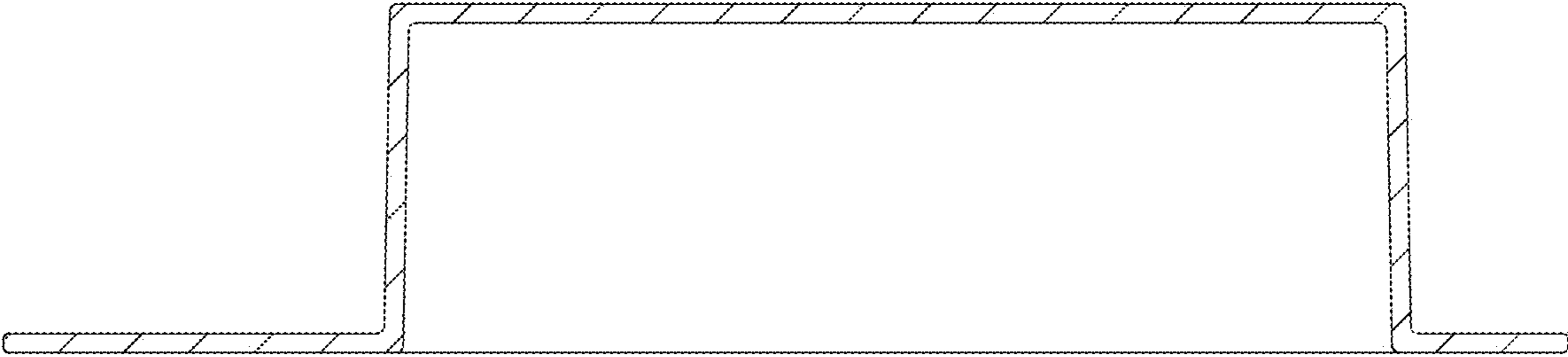


FIG. 8