



US00D910433S

(12) **United States Design Patent**
Beck et al.

(10) **Patent No.:** **US D910,433 S**
(45) **Date of Patent:** **** Feb. 16, 2021**

- (54) **AIR FRESHENER PACKAGE**
- (71) Applicant: **The Procter & Gamble Company**,
Cincinnati, OH (US)
- (72) Inventors: **Wolfram Beck**, Singapore (SG);
Kumaresh Govindan Radhakrishnan,
Singapore (SG); **Richard Lee Lane**,
Cincinnati, OH (US)
- (73) Assignee: **The Procter & Gamble Company**,
Cincinnati, OH (US)

6,170,663 B1 * 1/2001 Glassman B65D 75/32
206/461
D466,405 S * 12/2002 Lee D9/415
D466,803 S * 12/2002 Yang D9/415
D471,442 S * 3/2003 Lee D9/415
6,814,238 B2 * 11/2004 Lee B65D 75/322
206/471
D517,907 S * 3/2006 Lee D9/415
D521,860 S * 5/2006 Lee D9/415
D521,861 S * 5/2006 Lee D9/415
7,293,651 B2 * 11/2007 Lee B65D 75/32
206/461

(Continued)

(**) Term: **15 Years**

FOREIGN PATENT DOCUMENTS

(21) Appl. No.: **29/623,802**

DE 402008003118-00 9/2013
JP D1427812 7/2010

(22) Filed: **Oct. 27, 2017**

OTHER PUBLICATIONS

(30) **Foreign Application Priority Data**

White Flowers & Water Orchid Air Freshener (Reckitt Benckiser);
Commercially available; download Jul. 2009.

Apr. 28, 2017 (WO) 3225601

(51) **LOC (13) Cl.** **09-03**

(52) **U.S. Cl.**
USPC **D9/424**

(58) **Field of Classification Search**
USPC D9/414, 415, 420, 422, 424, 425, 428,
D9/429, 433, 434, 456
CPC B65D 75/36; B65D 75/367
See application file for complete search history.

Primary Examiner — Lauren R Calve

(74) *Attorney, Agent, or Firm* — Abbey A. Lopez

(57) **CLAIM**

The ornamental design for an air freshener package, as
shown and described.

(56) **References Cited**

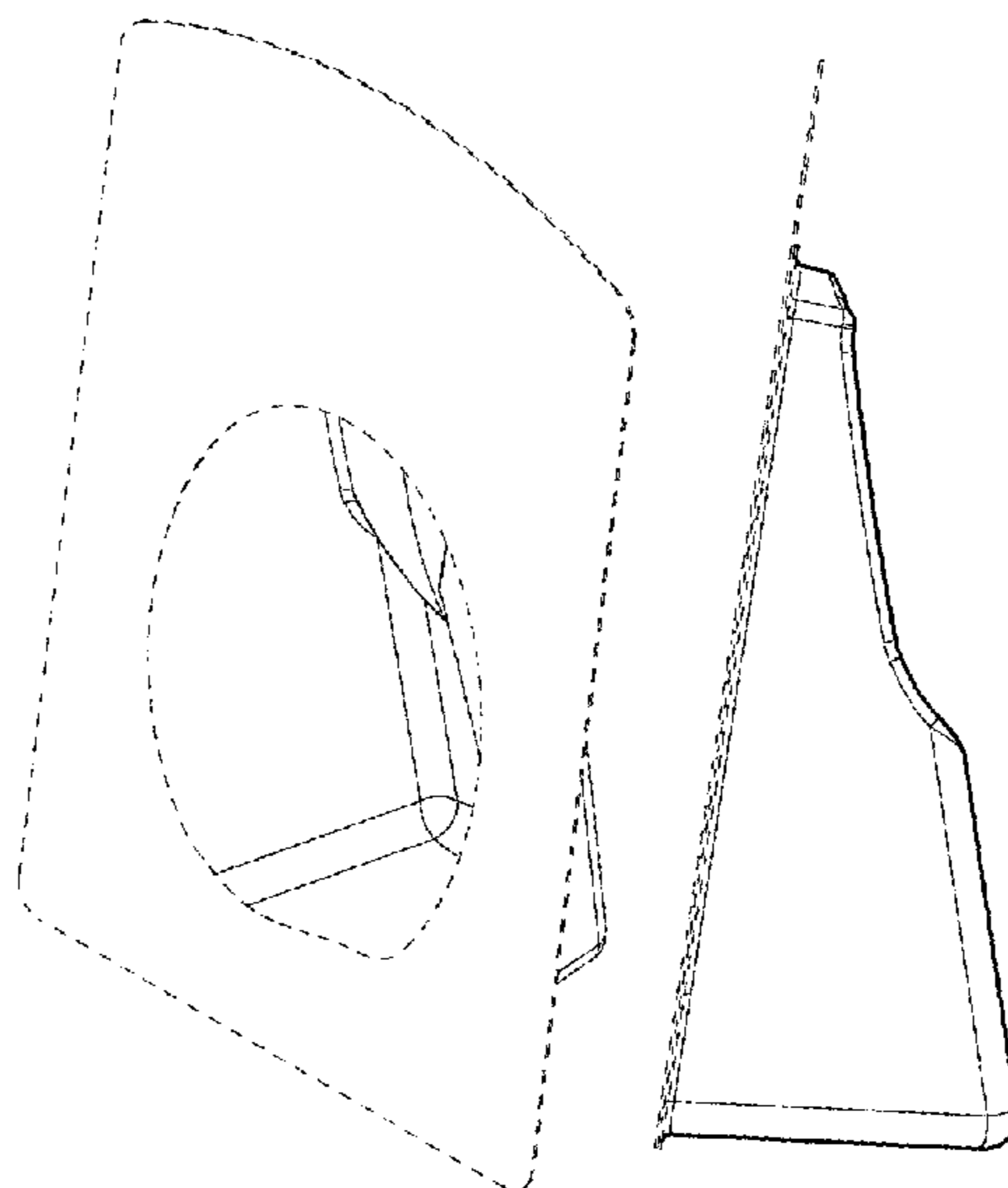
DESCRIPTION

U.S. PATENT DOCUMENTS

4,423,811 A * 1/1984 Knapp B65D 43/162
206/15.3
D306,561 S * 3/1990 Lee D9/415
D400,096 S * 10/1998 Lee D9/415
D400,098 S * 10/1998 Wang D9/415
D400,790 S * 11/1998 Appelbaum D9/415
D415,417 S * 10/1999 Suzuki D9/415
6,065,589 A * 5/2000 Ouwens A47F 7/02
206/470

FIG. 1 is an isometric view of an air freshener package;
FIG. 2 is a front view of the air freshener package;
FIG. 3 is a left view of the air freshener package;
FIG. 4 is a back view of the air freshener package;
FIG. 5 is a right view of the air freshener package;
FIG. 6 is a top view of the air freshener package; and,
FIG. 7 is a bottom view of the air freshener package.
The broken lines shown in the drawings are for illustrative
purposes only and form no part of the claimed design.

1 Claim, 3 Drawing Sheets



(56)

References Cited

U.S. PATENT DOCUMENTS

D678,759 S *	3/2013	Gottschalk	D9/415
D682,084 S *	5/2013	Pierre	D9/415
D702,133 S *	4/2014	Partrat	D9/415
D714,135 S *	9/2014	Chang	D9/415

* cited by examiner

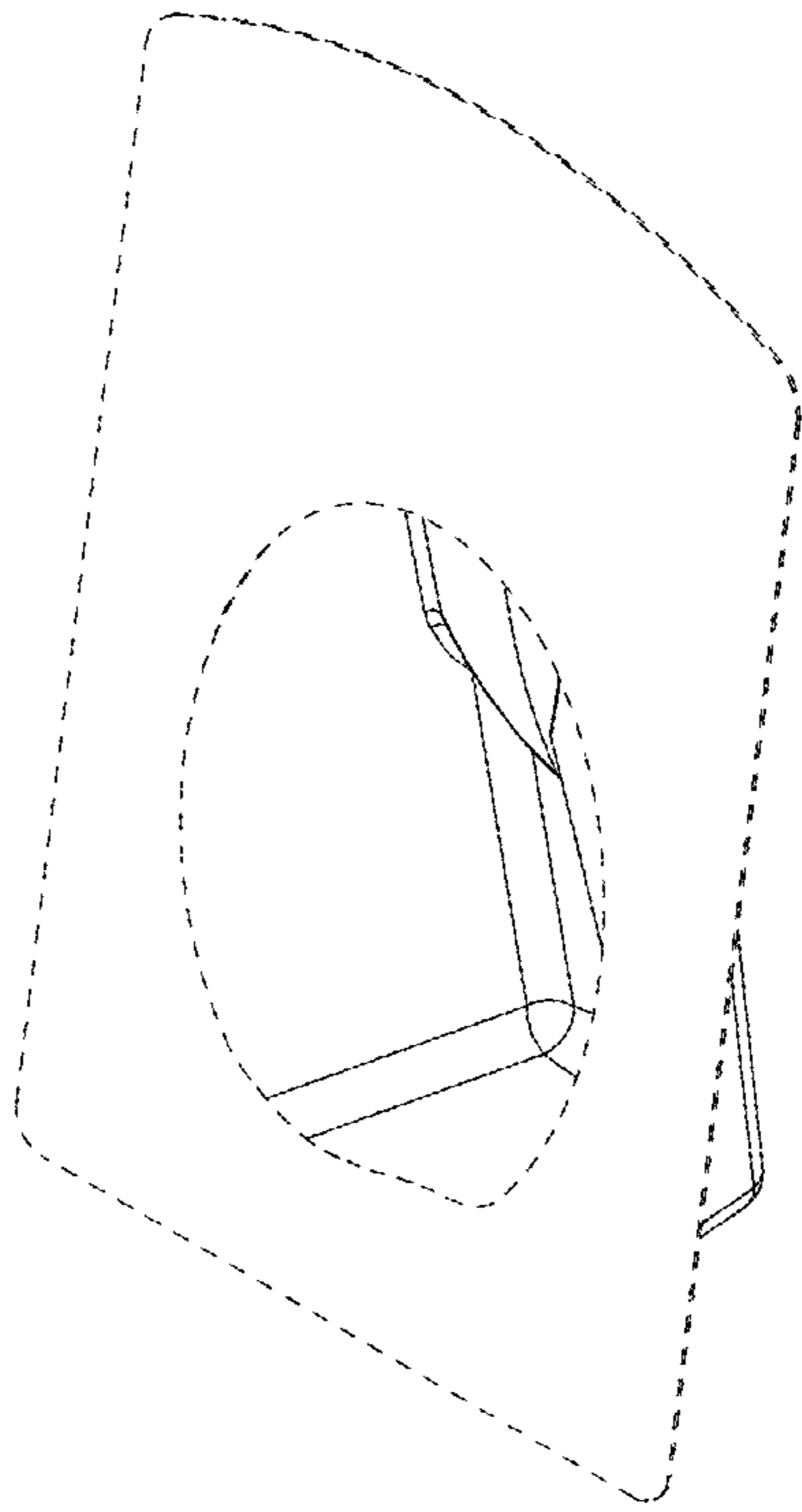


Fig. 1

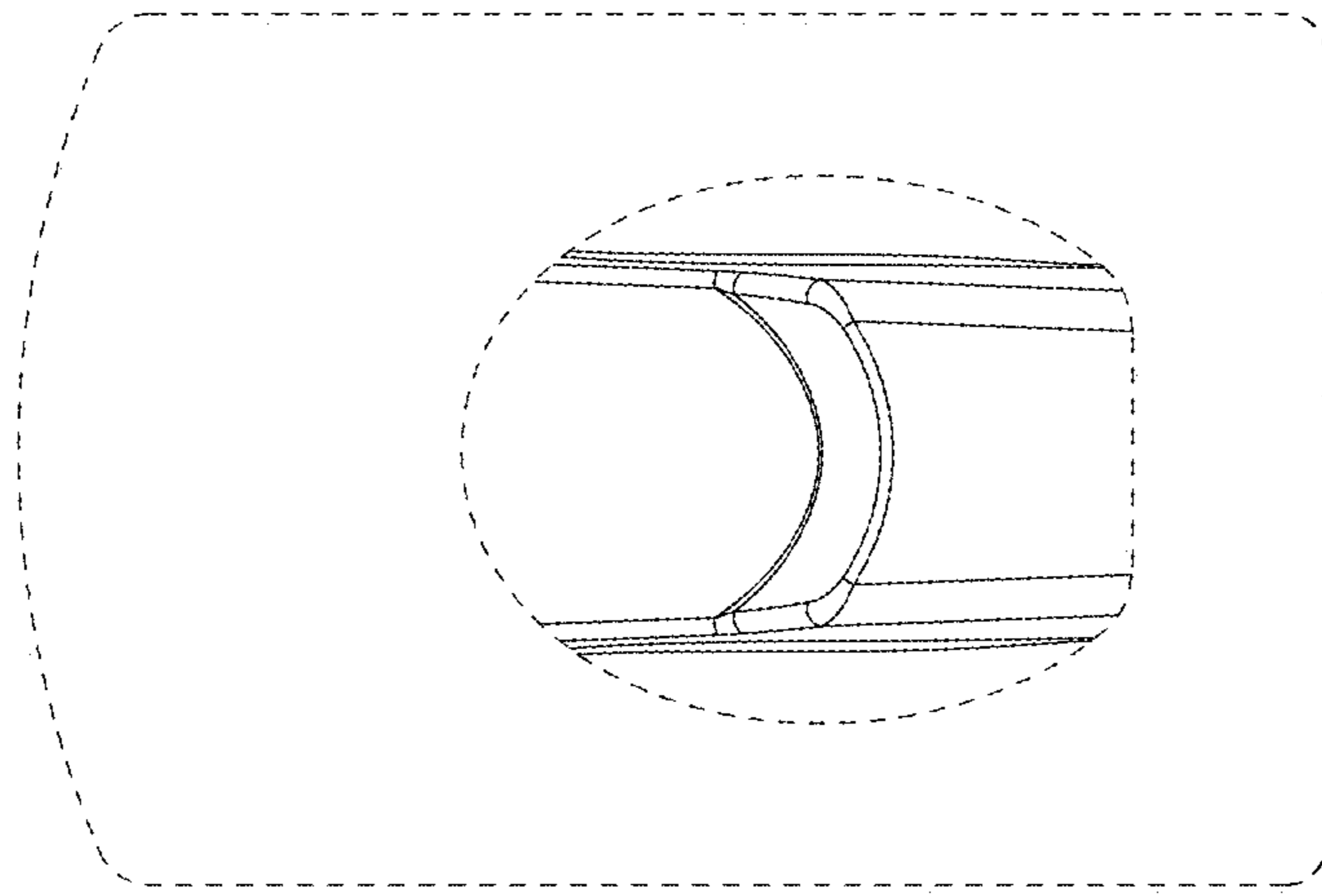


Fig. 2

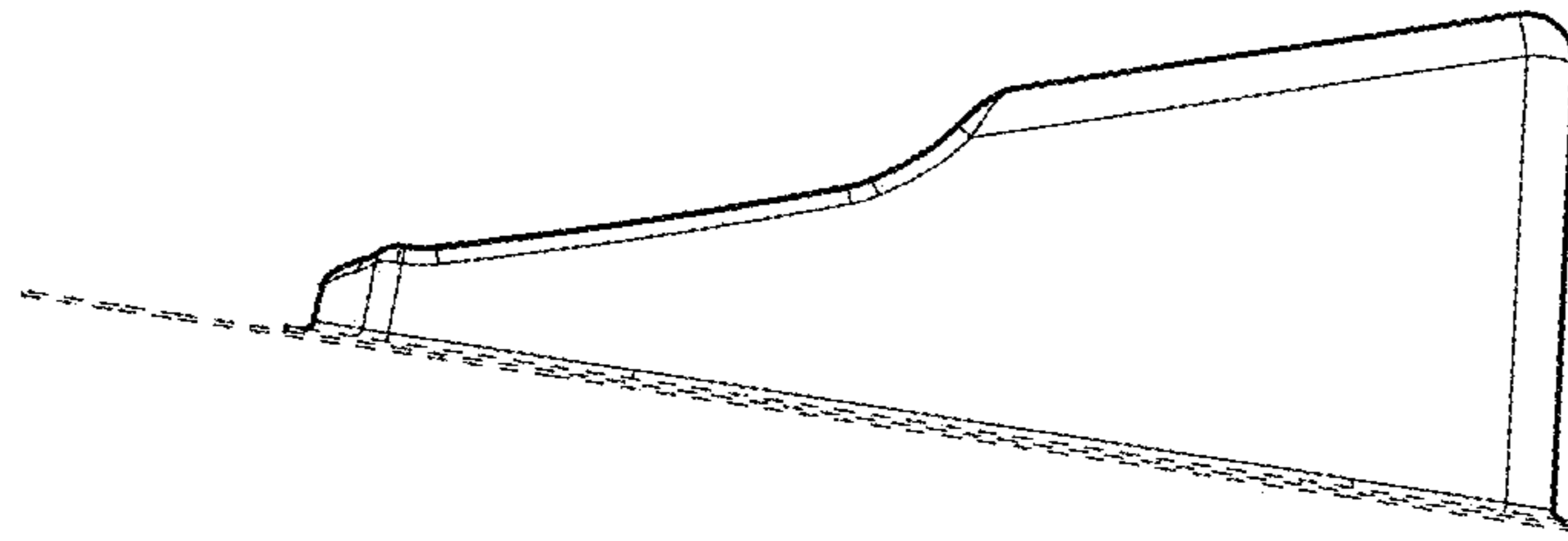


Fig. 3

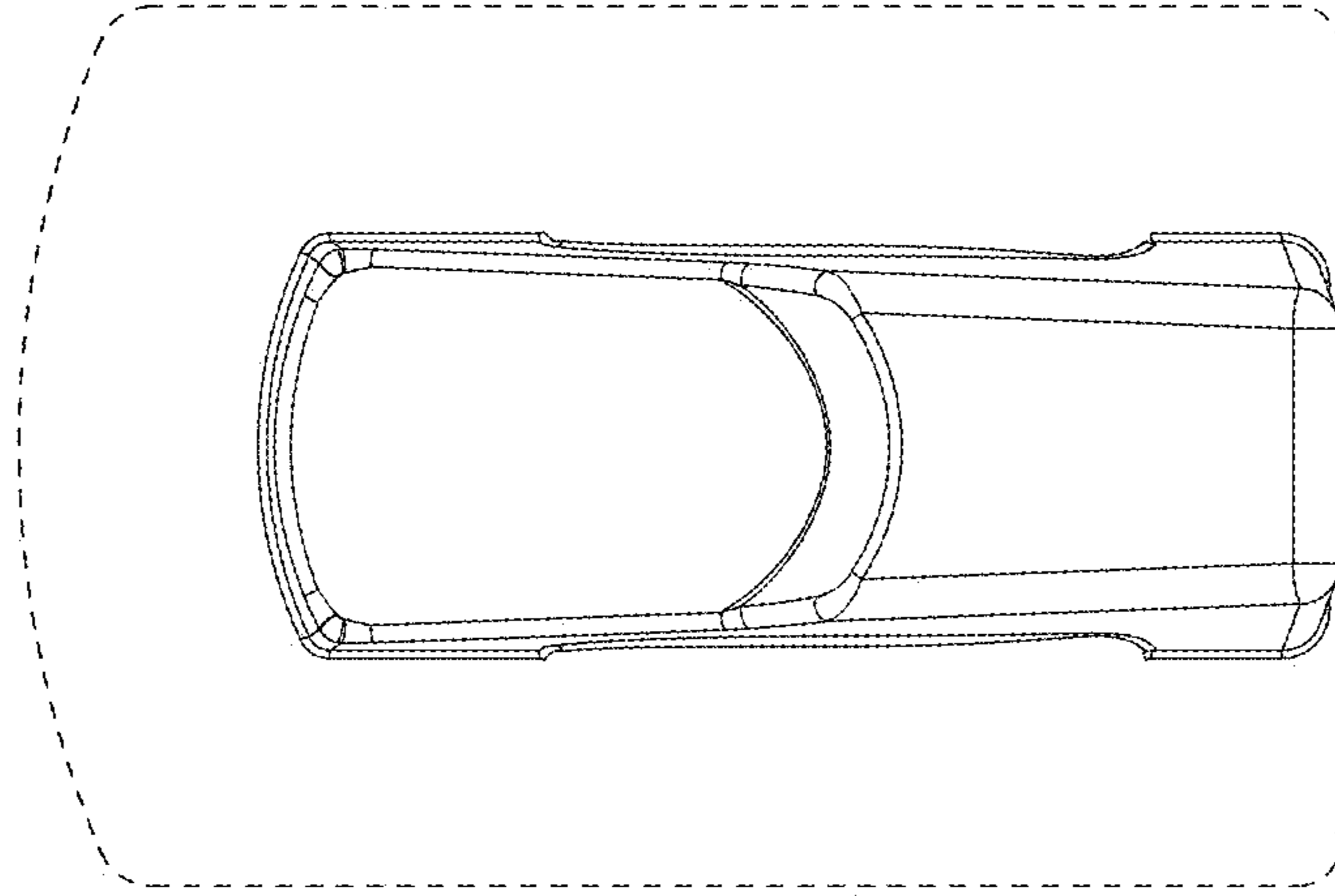


Fig. 4

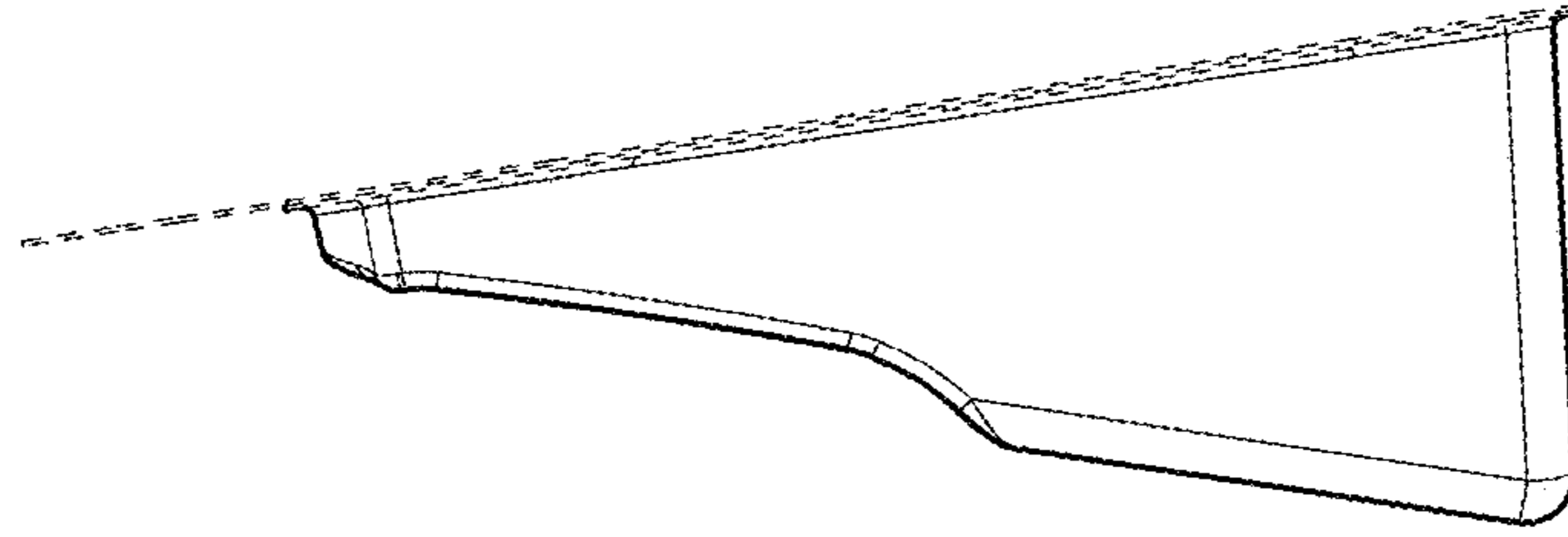


Fig. 5

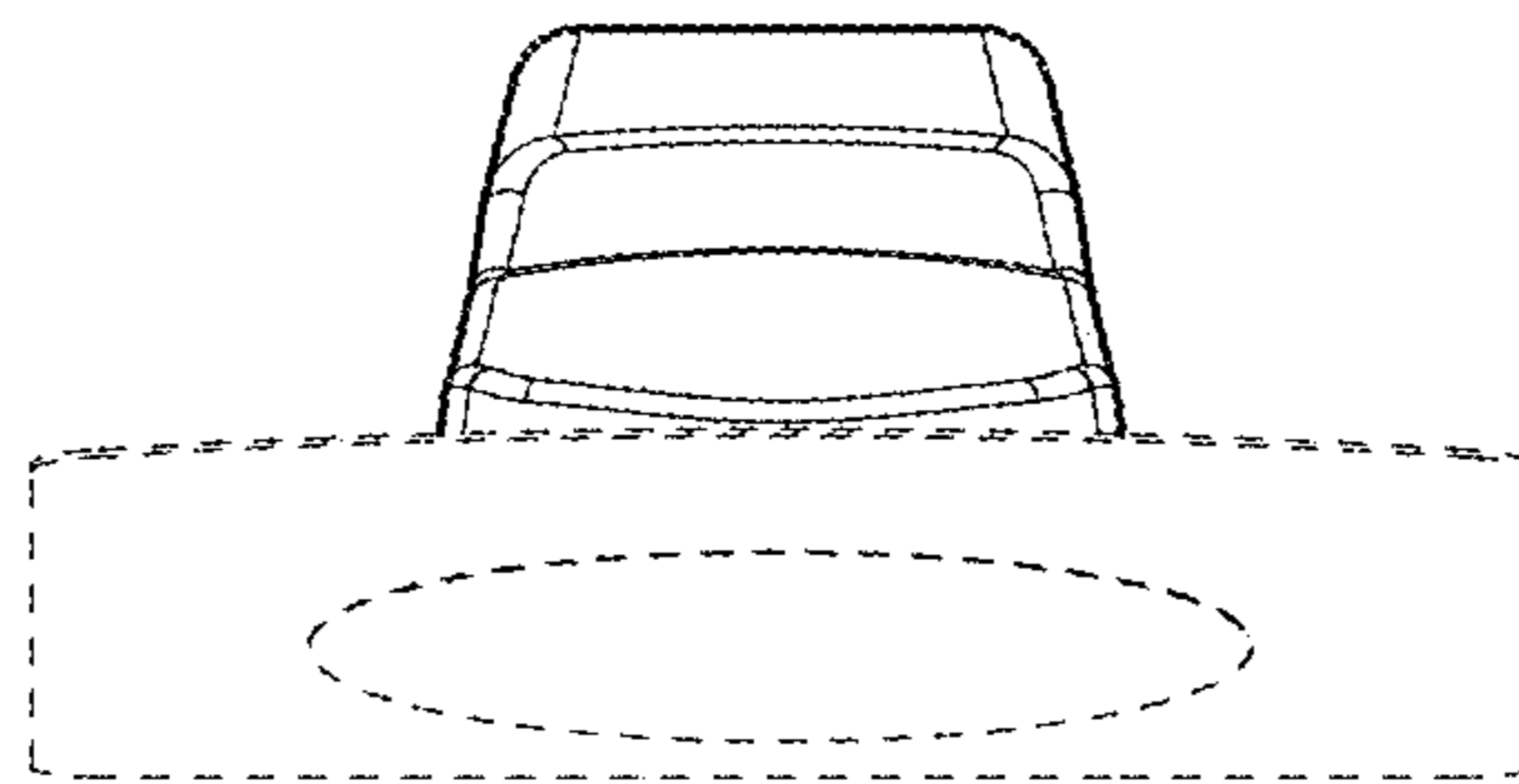


Fig. 6

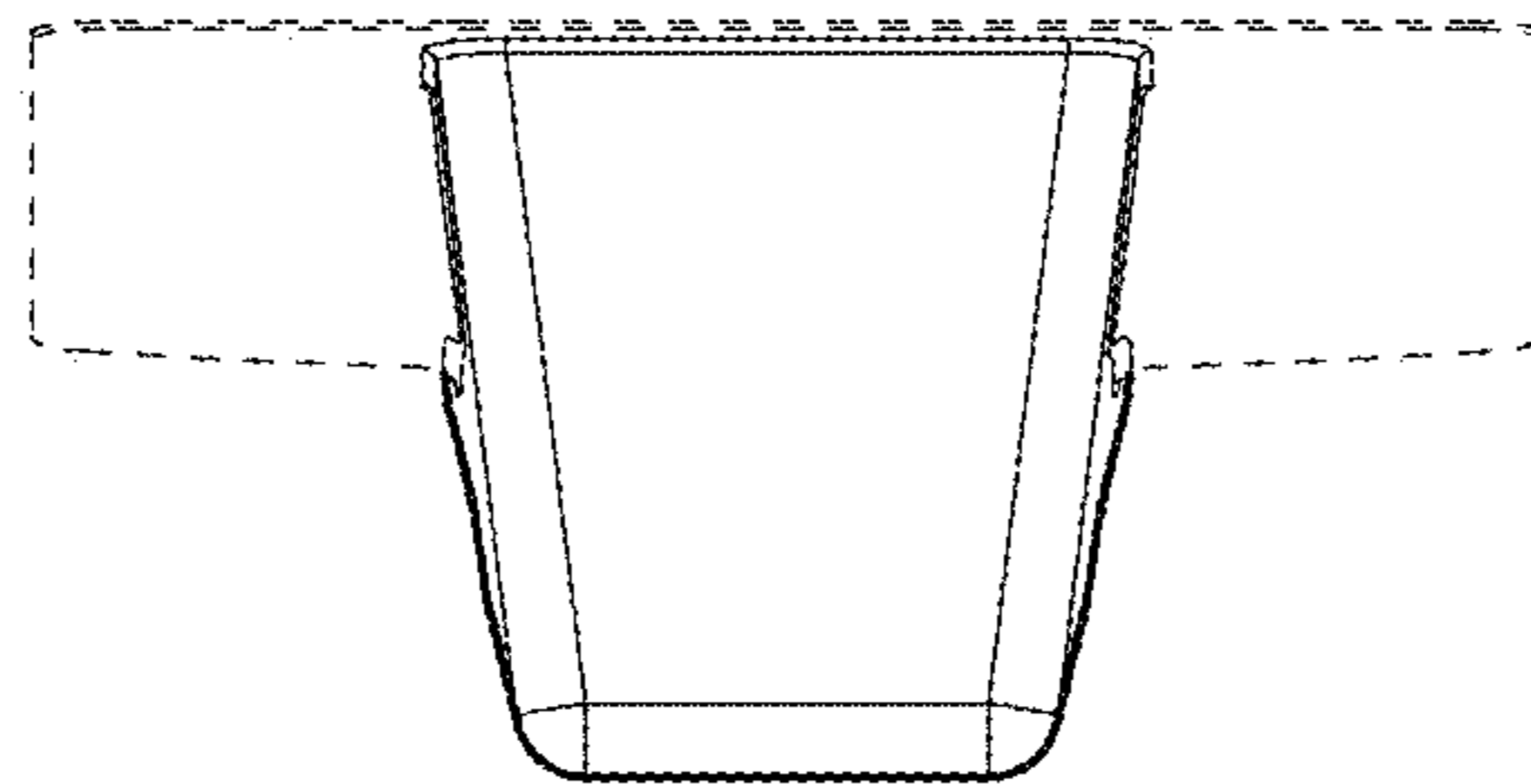


Fig. 7