



US00D910430S

(12) **United States Design Patent**  
**Chan et al.**

(10) **Patent No.:** **US D910,430 S**

(45) **Date of Patent:** **\*\* Feb. 16, 2021**

(54) **FURNITURE PROTECTOR SET**

(71) Applicants: **Roberto Chan**, Palmdale, CA (US);  
**Omark Oceano**, Palmdale, CA (US)

(72) Inventors: **Roberto Chan**, Palmdale, CA (US);  
**Omark Oceano**, Palmdale, CA (US)

(\*\*) Term: **15 Years**

(21) Appl. No.: **29/679,512**

(22) Filed: **Feb. 7, 2019**

(51) **LOC (13) Cl.** ..... **08-09**

(52) **U.S. Cl.**  
USPC ..... **D8/403**

(58) **Field of Classification Search**  
USPC ..... D8/403, 330, 331, 338, 340, 343, 381,  
D8/346, 321, 322, 354  
CPC ..... E05B 13/00; E05B 15/00; E05B 17/00  
See application file for complete search history.

(56) **References Cited**

U.S. PATENT DOCUMENTS

D253,506 S *	11/1979	Vigue	.....	D8/403
4,529,091 A *	7/1985	Martin	.....	B65D 81/056 206/453
4,731,918 A *	3/1988	Burghardt	.....	A47B 13/083 108/156
D336,033 S *	6/1993	Welsh	.....	D8/403
D356,946 S *	4/1995	Rekuc	.....	D8/403
5,619,953 A *	4/1997	Griffin	.....	A01K 15/024 119/621
D462,259 S *	9/2002	Williams	.....	D8/403
D473,498 S *	4/2003	Breckner	.....	D12/167
D499,674 S *	12/2004	Breckner	.....	D12/167
D557,432 S *	12/2007	Smith	.....	D25/136
D618,995 S *	7/2010	Lavelle	.....	D8/403

D624,813 S *	10/2010	Lavelle	.....	D8/403
9,119,611 B2 *	9/2015	Super	.....	A61B 50/33
D783,856 S *	4/2017	Super	.....	D24/227
D791,717 S *	7/2017	Uusitalo	.....	D13/160
D865,509 S *	11/2019	Stewart	.....	D8/403
10,709,109 B2 *	7/2020	Stewart	.....	A47C 31/11
2004/0211946 A1 *	10/2004	Farrara	.....	B66F 7/28 254/90
2011/0278199 A1 *	11/2011	Dane	.....	B65D 81/056 206/586

\* cited by examiner

*Primary Examiner* — Keli L Hill

*Assistant Examiner* — Harold E Blackwell, II

(74) *Attorney, Agent, or Firm* — Sanchelima &  
Associates, P.A.; Christian Sanchelima; Jesus Sanchelima

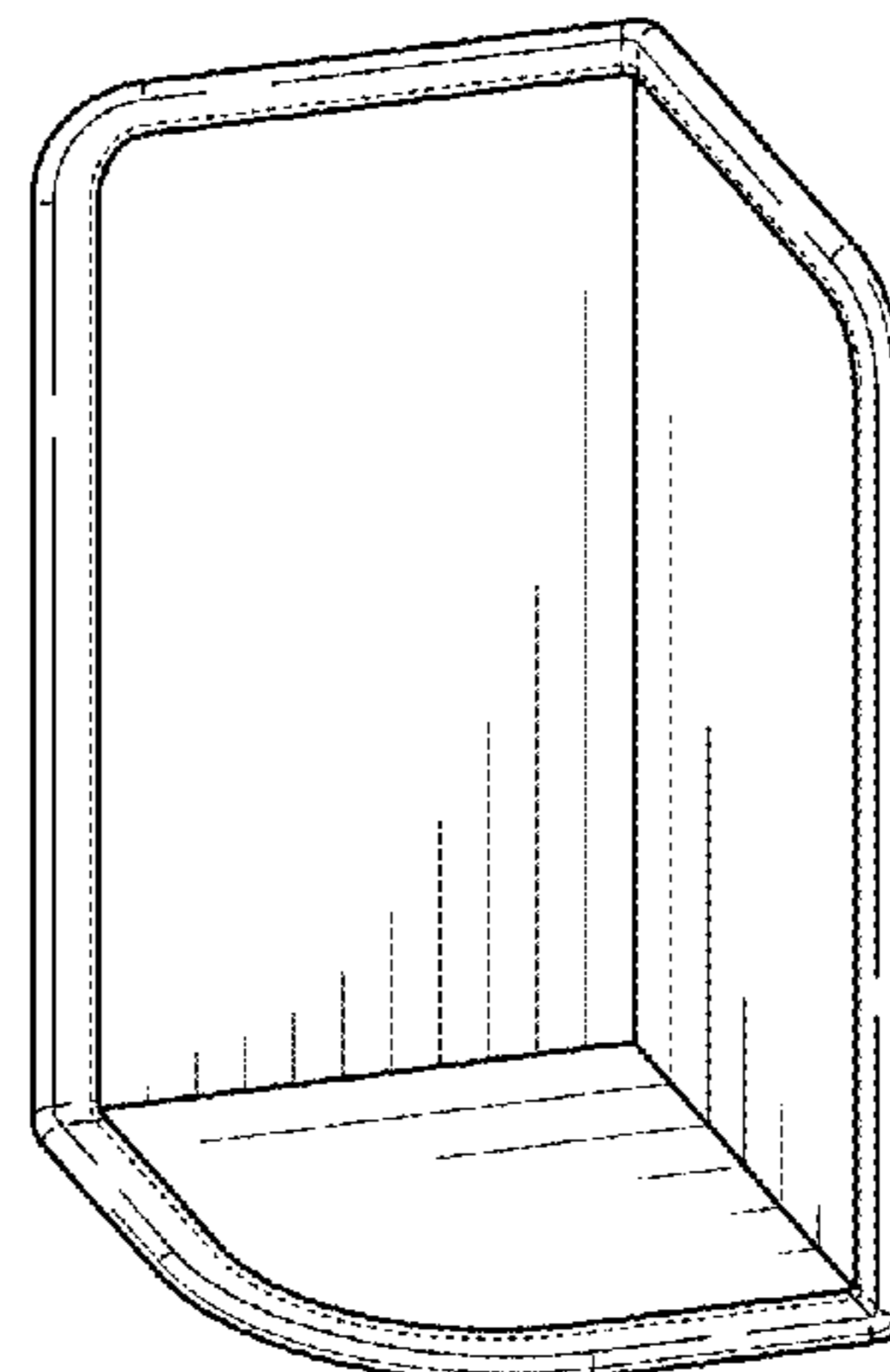
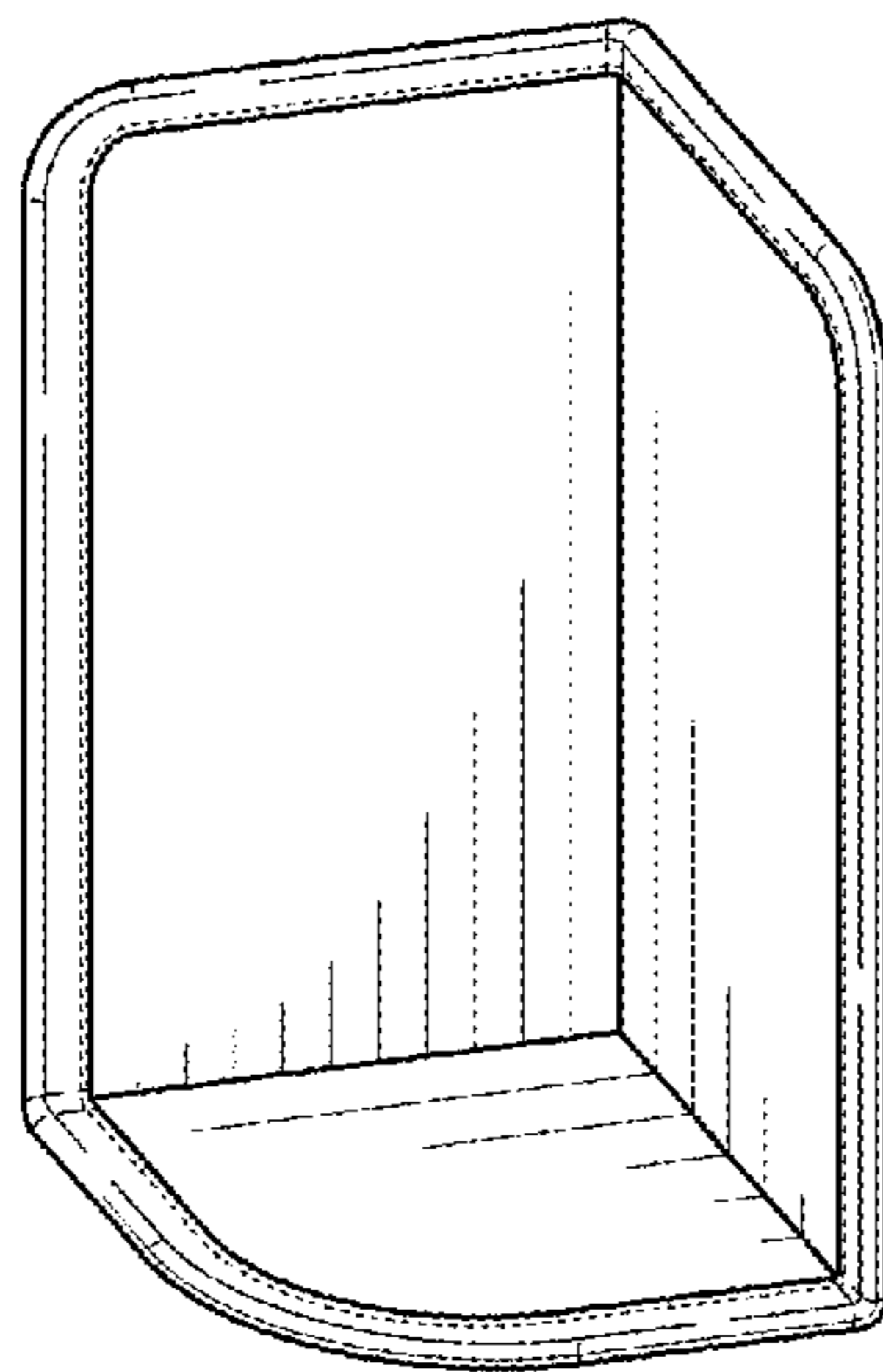
(57) **CLAIM**

The ornamental design for furniture protector set, as shown and described.

**DESCRIPTION**

FIG. 1 is an isometric view of a furniture protector set showing my new design;  
FIG. 2 is a front view thereof;  
FIG. 3 is a rear view thereof;  
FIG. 4 is a left side view thereof;  
FIG. 5 is a right side view thereof;  
FIG. 6 is a top view thereof; and,  
FIG. 7 is a bottom view thereof showing my design.  
The broken lines in the drawings illustrate portions of the furniture protector set which form no part of the claimed design.

**1 Claim, 4 Drawing Sheets**



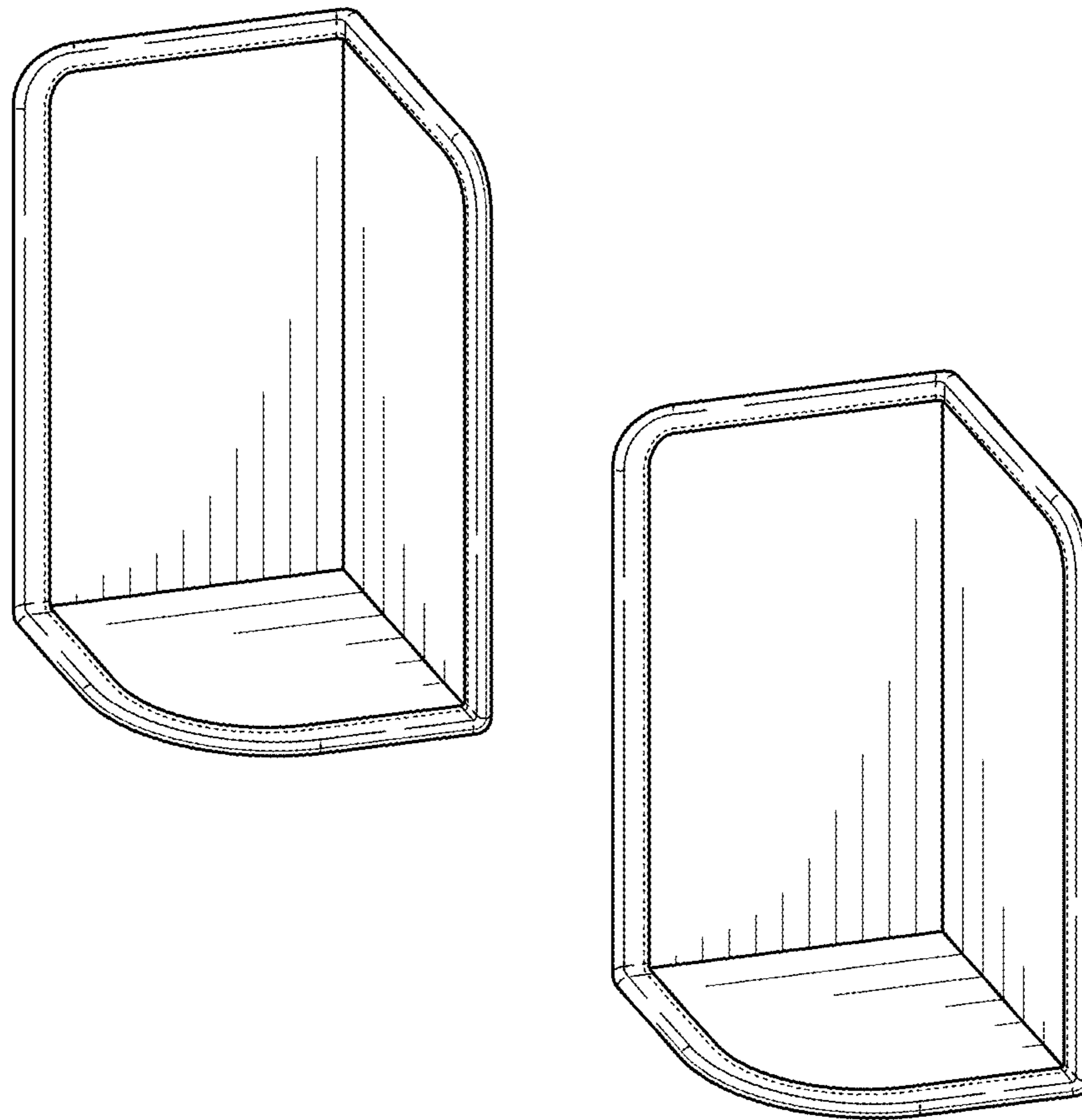


FIG. 1

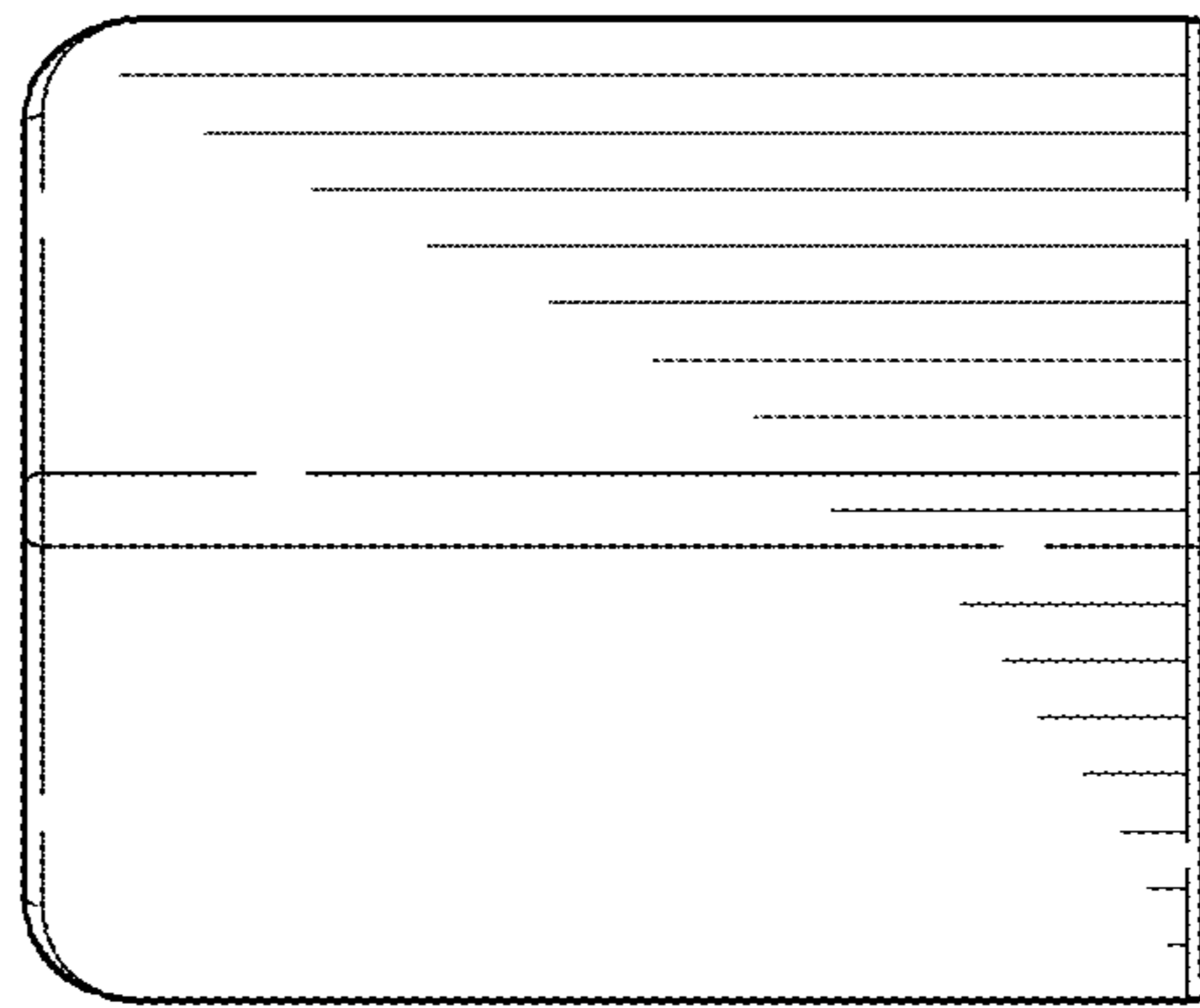
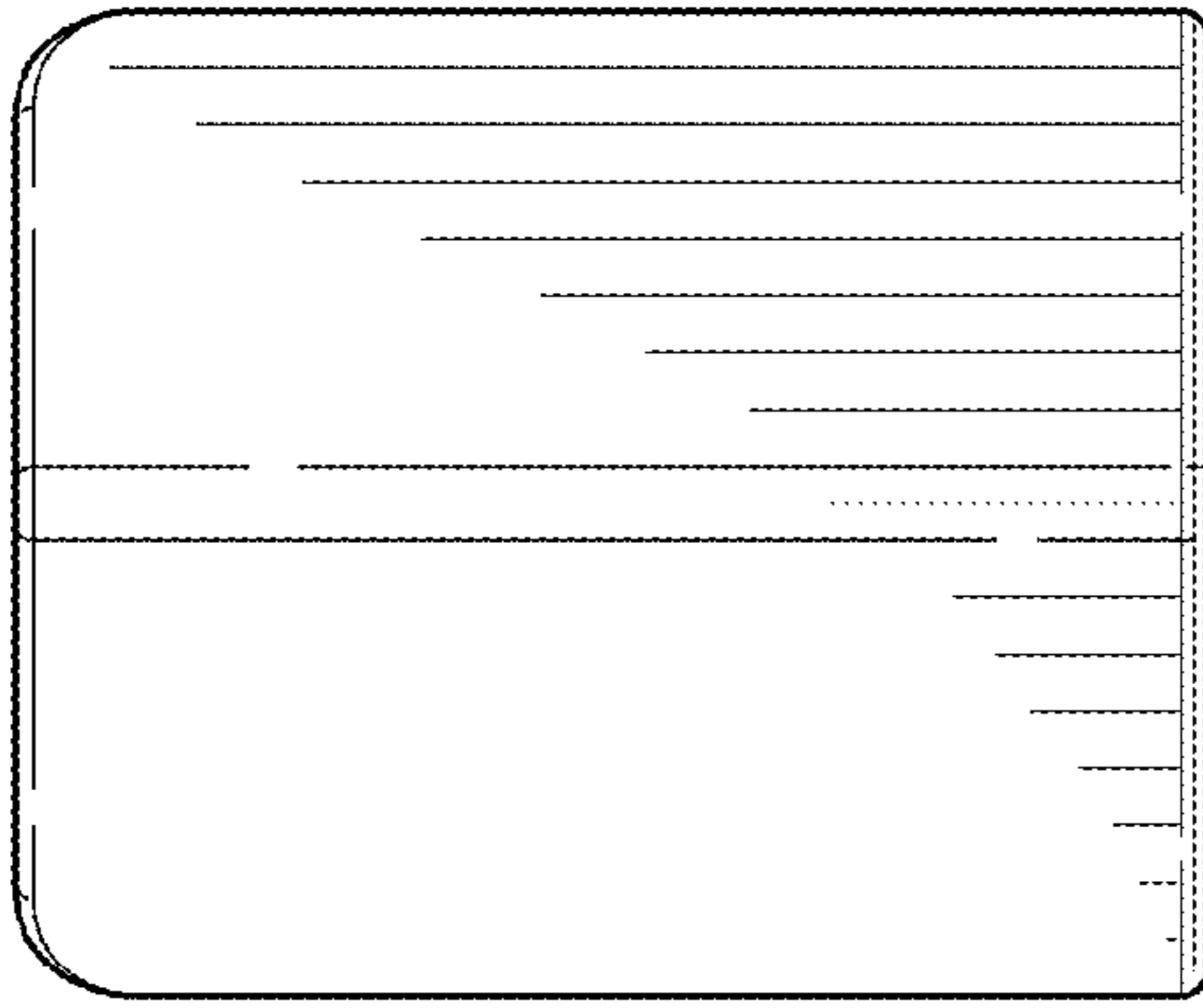


FIG. 3

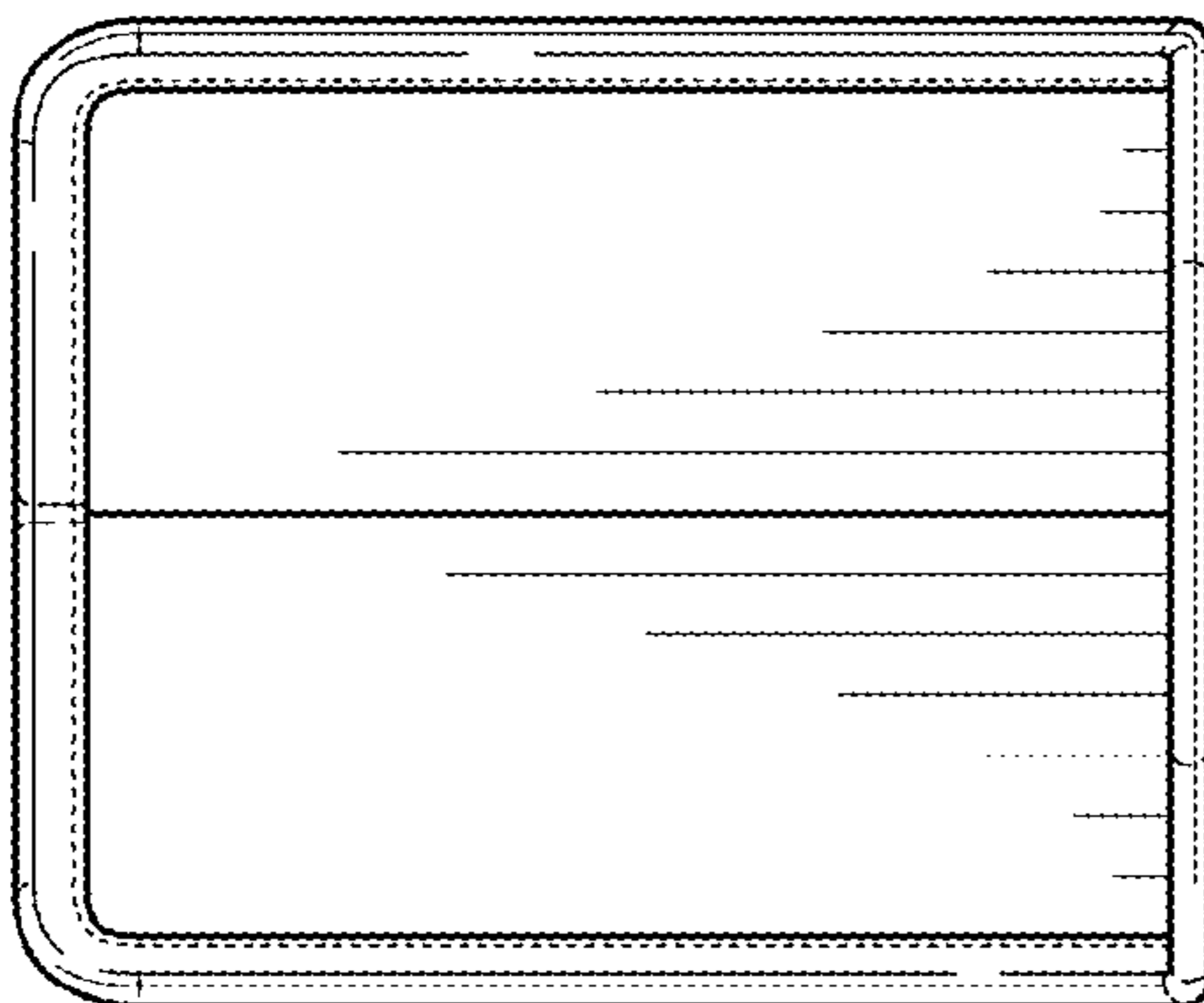


FIG. 2

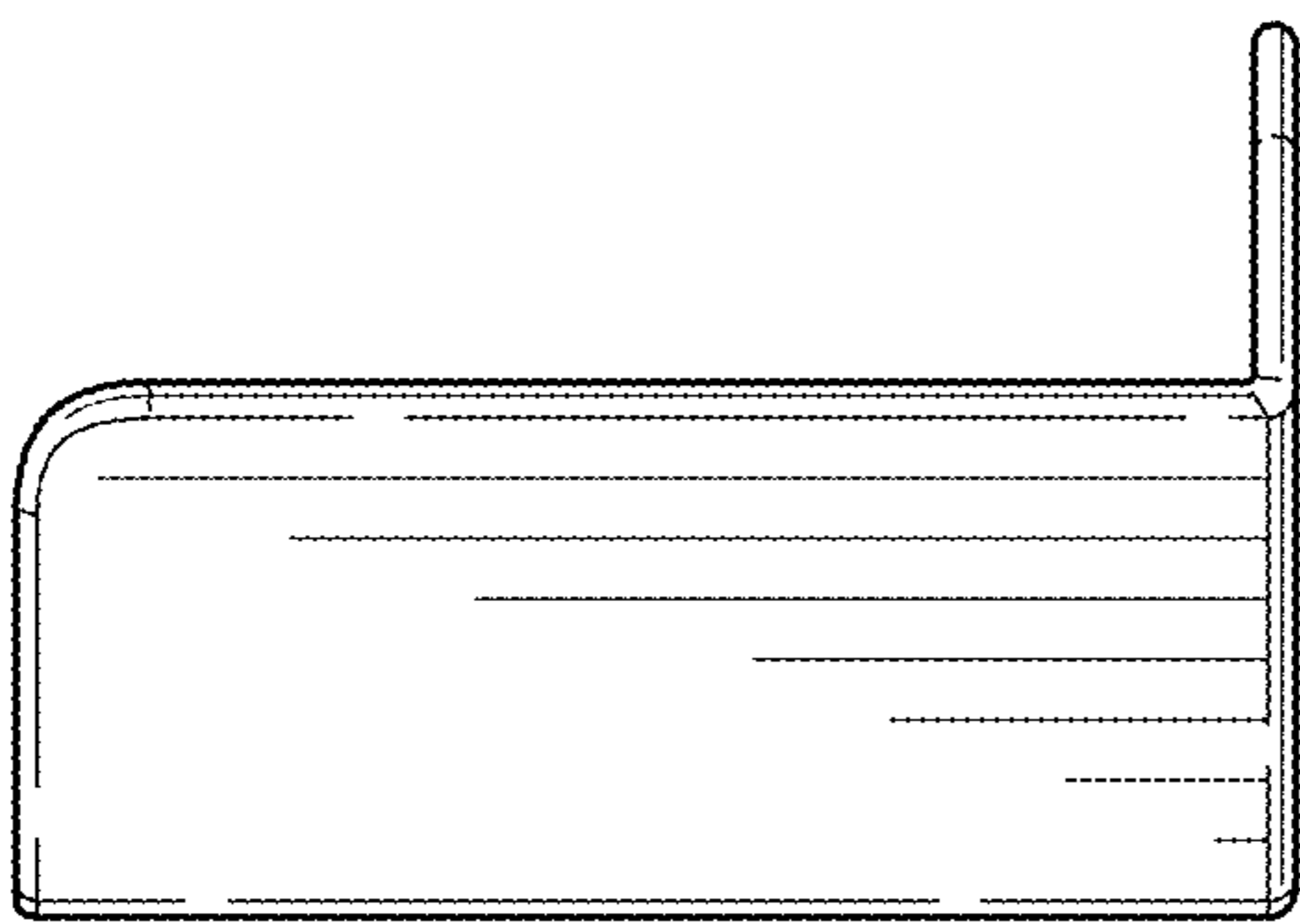
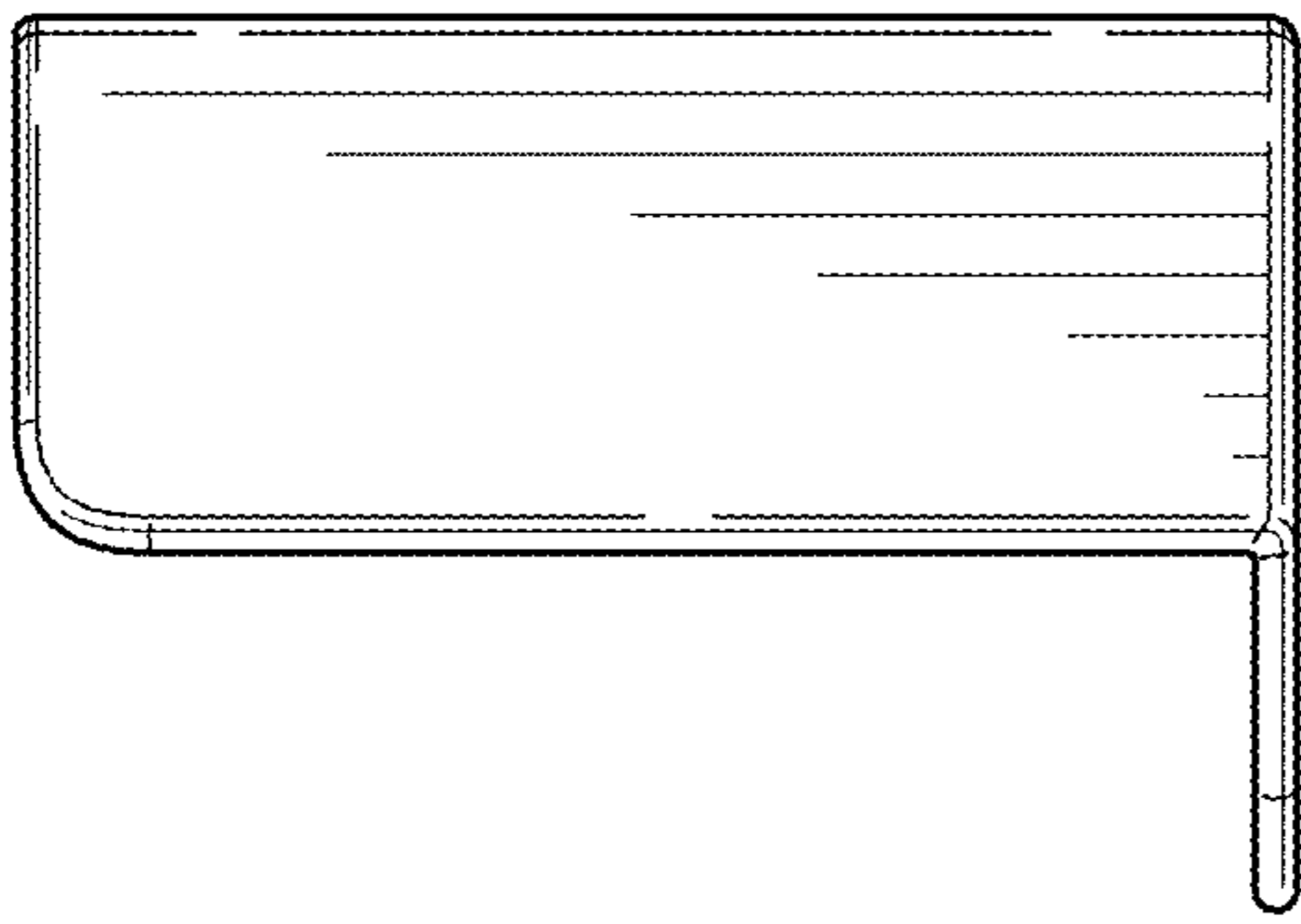


FIG. 4

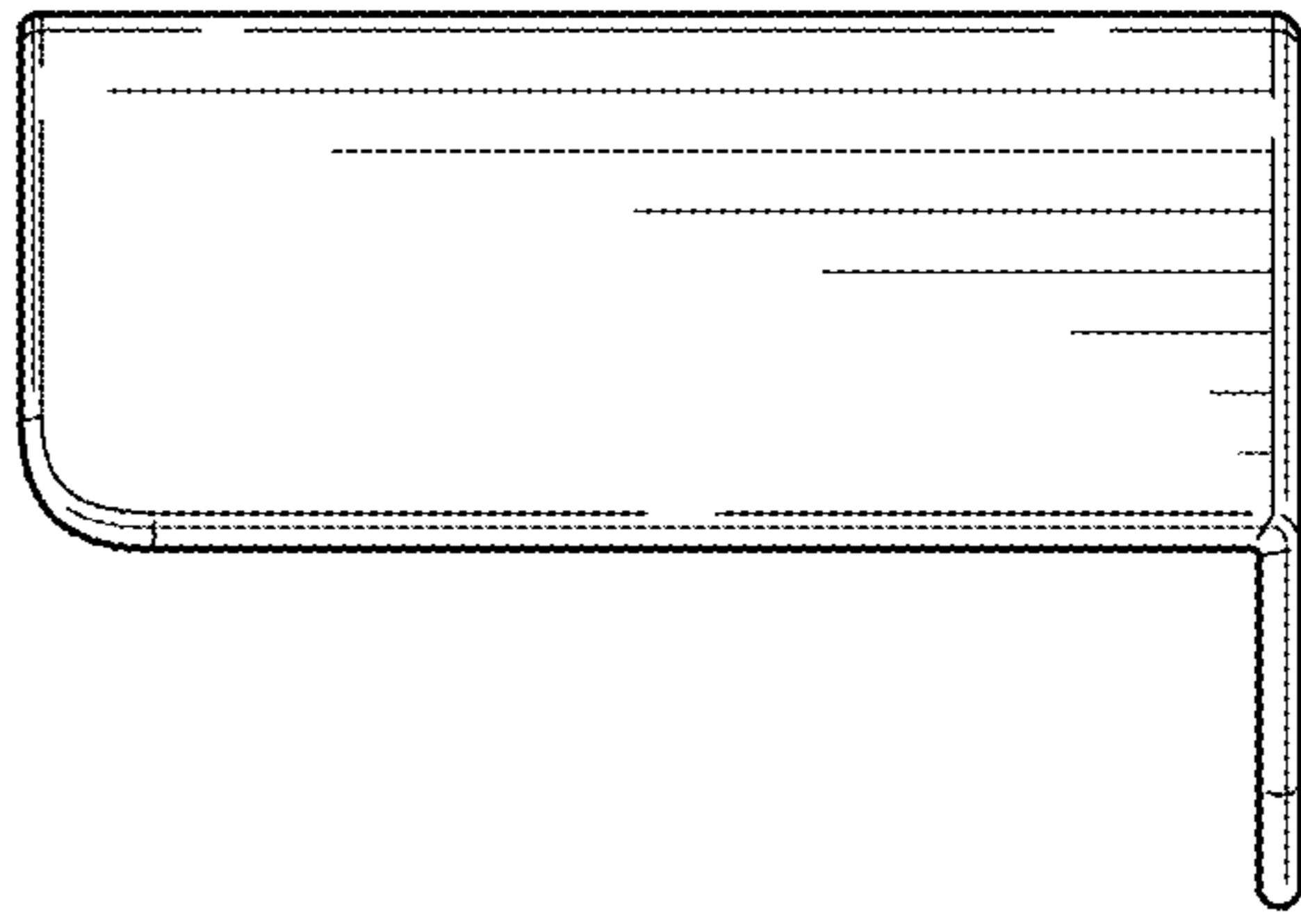
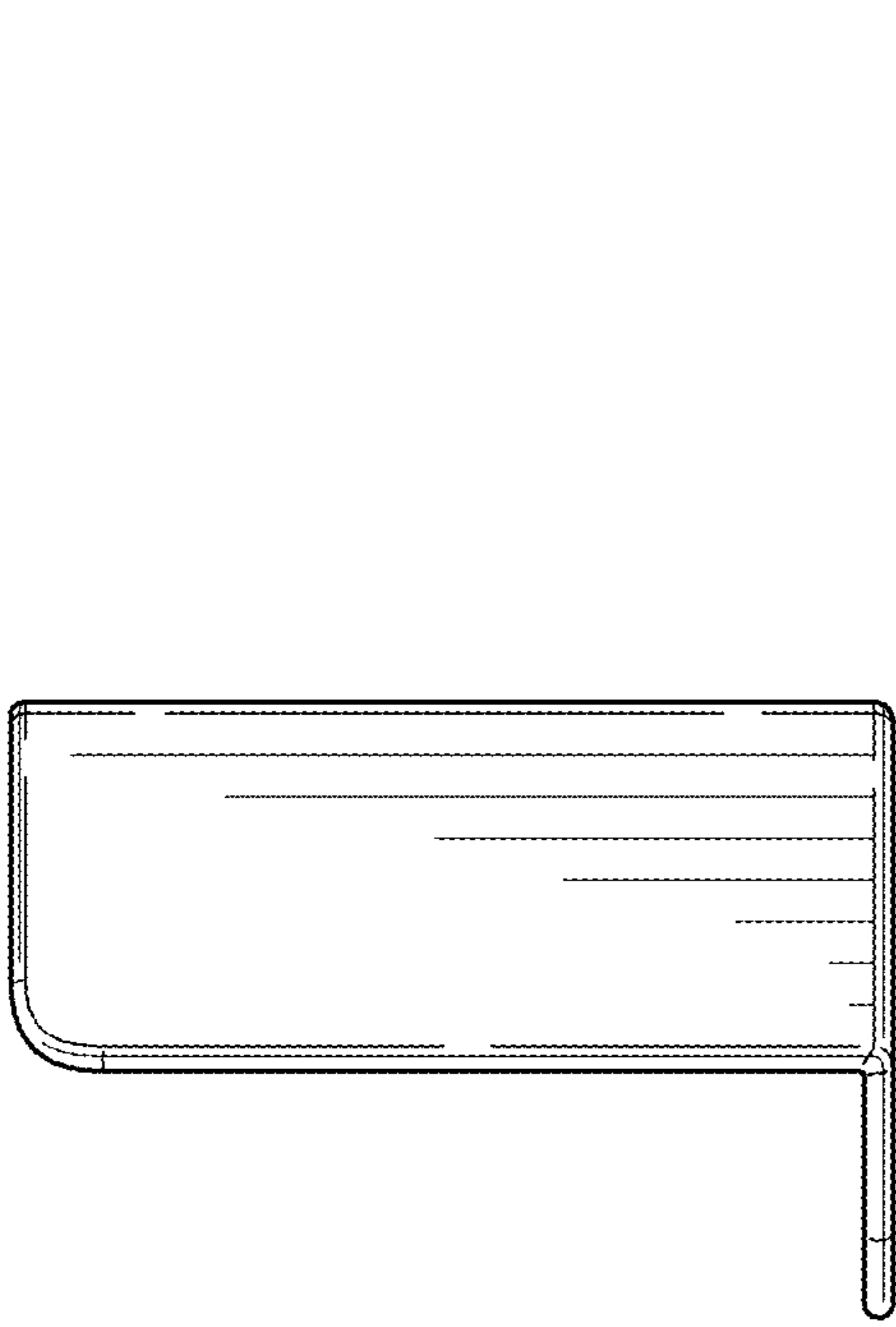


FIG. 5

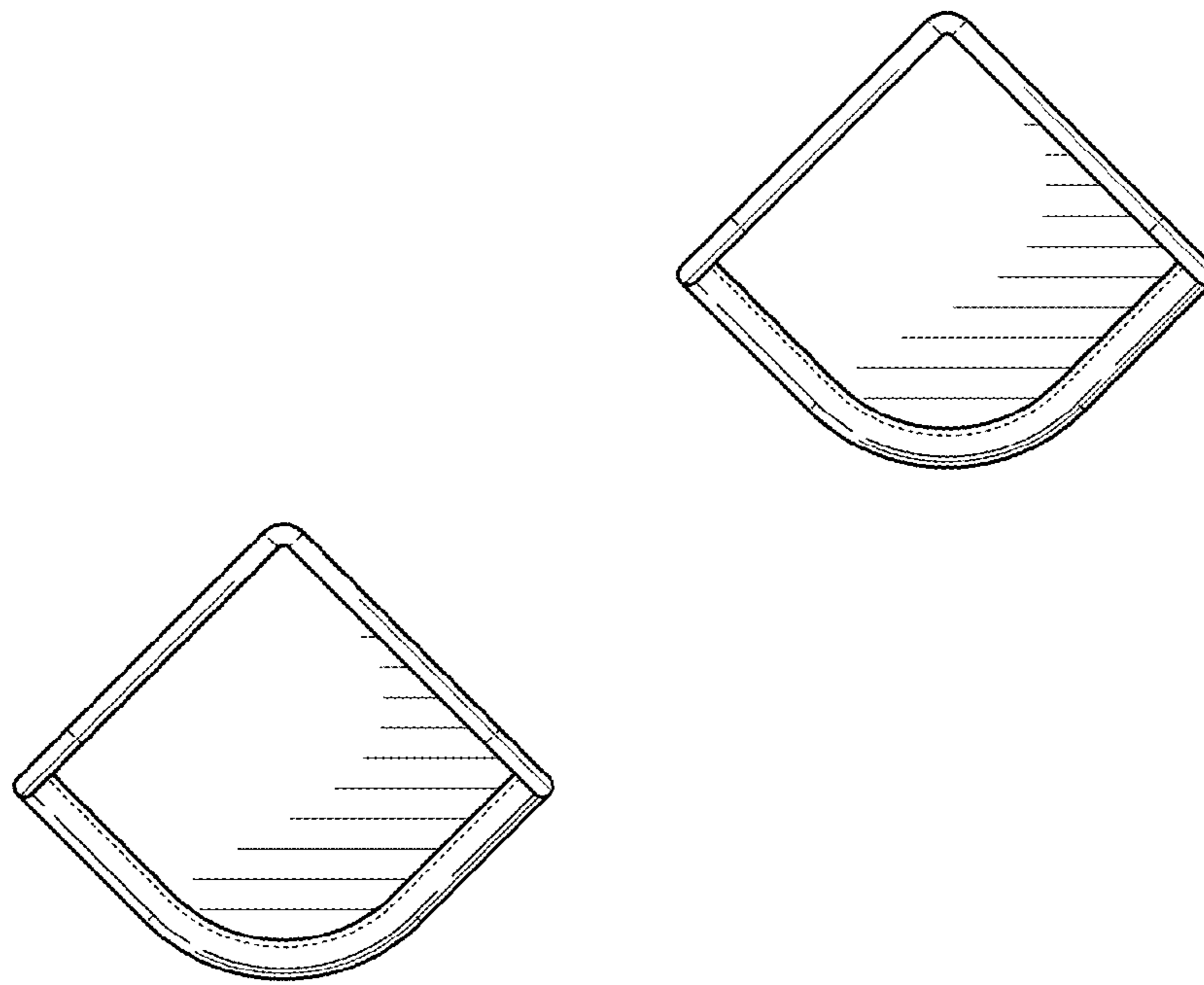


FIG. 6

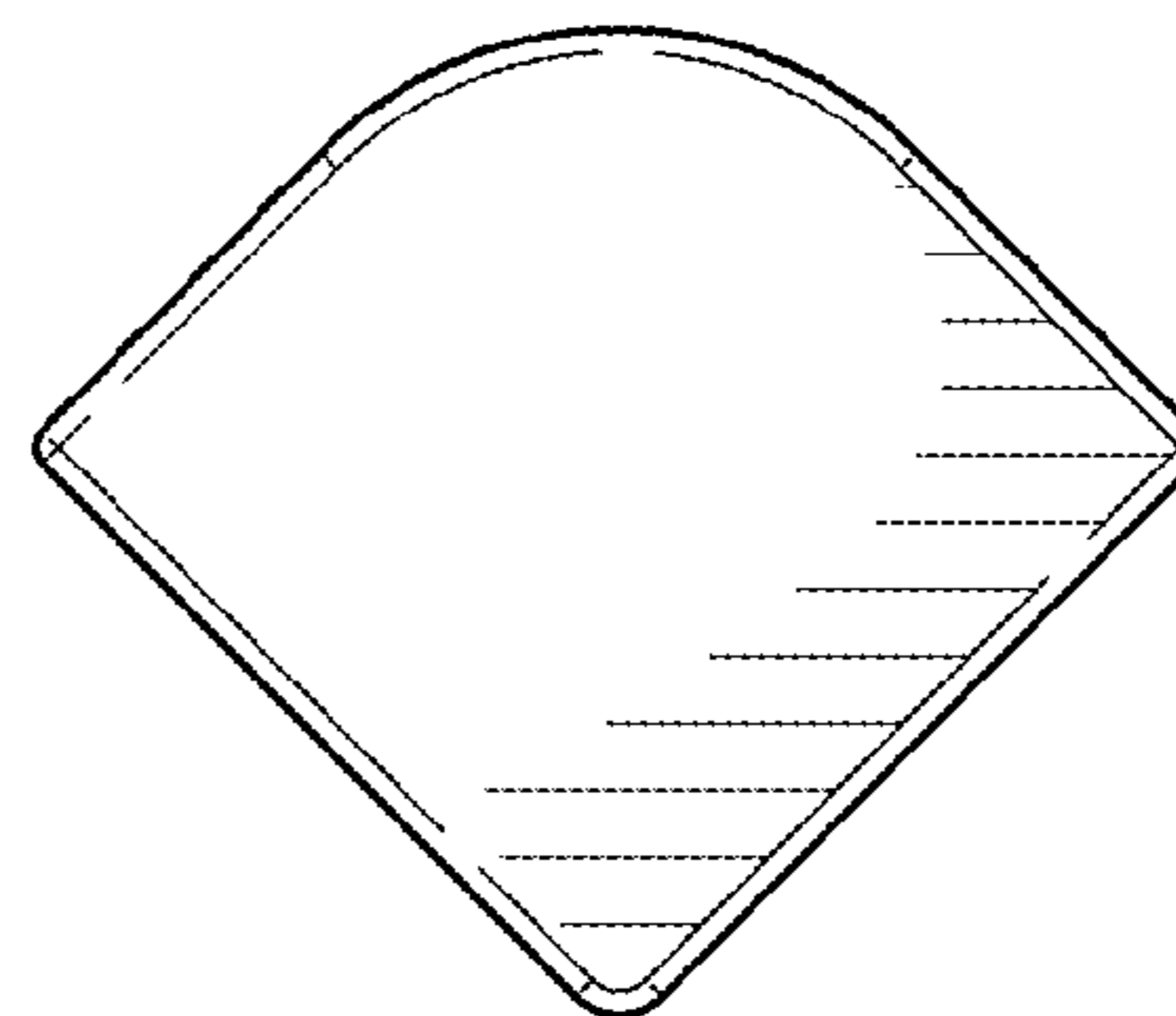
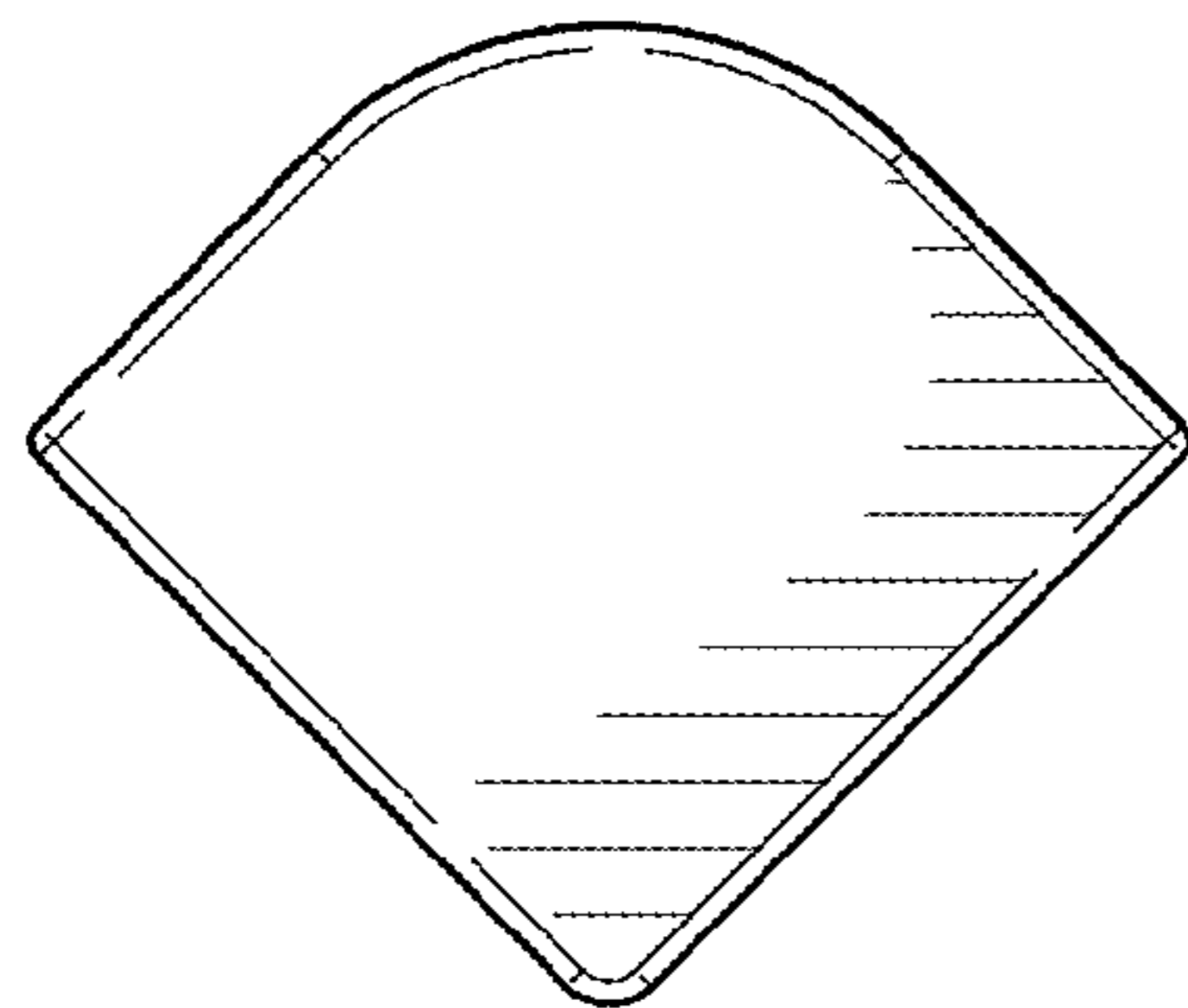


FIG. 7